



US00D866973S

(12) **United States Design Patent** (10) **Patent No.:** **US D866,973 S**
Snell (45) **Date of Patent:** **** Nov. 19, 2019**

- (54) **BIN**
- (71) Applicant: **InterDesign, Inc.**, Solon, OH (US)
- (72) Inventor: **Russell Benton Snell**, Bentleyville, OH (US)
- (73) Assignee: **InterDesign, Inc.**, Solon, OH (US)
- (**) Term: **15 Years**
- (21) Appl. No.: **29/591,329**
- (22) Filed: **Jan. 19, 2017**

Related U.S. Application Data

- (63) Continuation of application No. 29/480,632, filed on Jan. 28, 2014, now Pat. No. Des. 795,311.
- (51) **LOC (12) Cl.** **09-04**
- (52) **U.S. Cl.**
USPC **D3/314; D3/304; D6/683**
- (58) **Field of Classification Search**
USPC D15/79, 85, 89, 90; D3/304, 312, 314, D3/307-311, 313, 319, 901, 903, 905; D6/683, 683.1, 705, 573, 574; D7/550.1, D7/554.3, 601-603, 609, 605, 701, 703, D7/705, 708, 641, 354, 356, 359, 500, D7/542, 543, 545; D9/755, 414, 418, D9/424, 425, 429, 432; D19/75, 77, 86, D19/92; D34/1; D32/36, 37; 220/607, 220/643, 657, 659, 676; 229/406, 913, 229/914
CPC . B65D 1/22; B65D 1/243; B65D 1/34; B65D 1/38; A47B 77/18; A47B 88/906; A47B 88/969; A47B 88/994; A47B 2210/175; A47B 2210/19; A47B 75/00; A47B 71/00; A47J 47/00; A47J 47/16; A47J 47/18; A47F 3/14; A47F 3/145; F25D 25/025; F25C 5/182

See application file for complete search history.

- (56) **References Cited**
U.S. PATENT DOCUMENTS
2,021,065 A * 11/1935 Hurlburt F25D 25/021
211/153
D155,355 S * 9/1949 Norberg D15/89
3,813,256 A * 5/1974 Feinberg A47J 36/022
427/230

(Continued)

FOREIGN PATENT DOCUMENTS

- DE 3510016 A1 * 9/1986 B65D 1/243
- DE 3823650 A1 * 1/1990 B29C 45/1704

(Continued)

Primary Examiner — Catherine A Tuttle

(74) *Attorney, Agent, or Firm* — Calfee, Halter & Griswold, LLP

(57) **CLAIM**

I claim the ornamental design for a bin, as shown and described.

DESCRIPTION

FIG. 1 is a front/right/top perspective view of a bin; a front/left/top perspective view would be a mirror image thereof;

FIG. 2 is a rear/left/bottom perspective view thereof; a back/right/bottom perspective view would be a mirror image thereof;

FIG. 3 is a top plan view thereof;

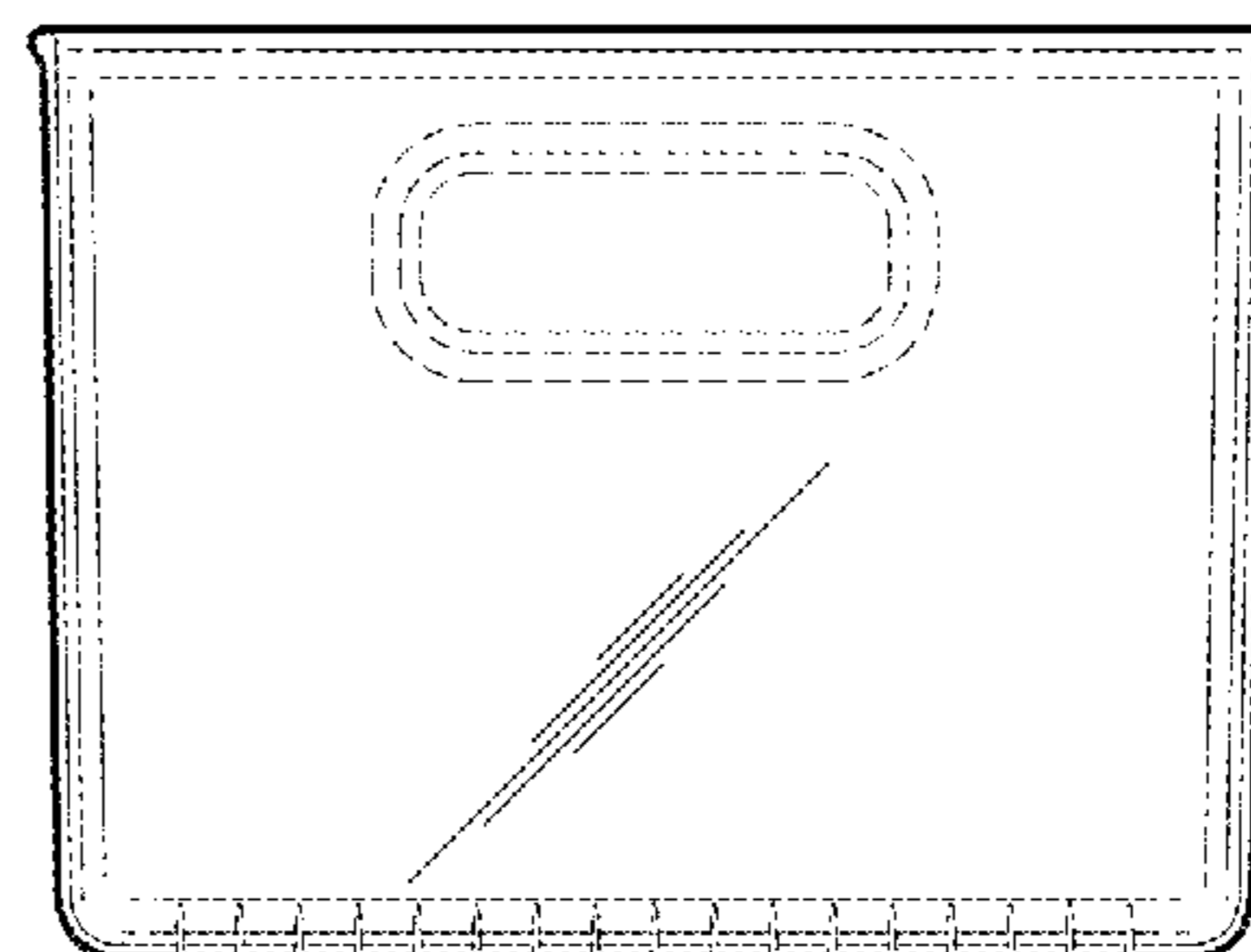
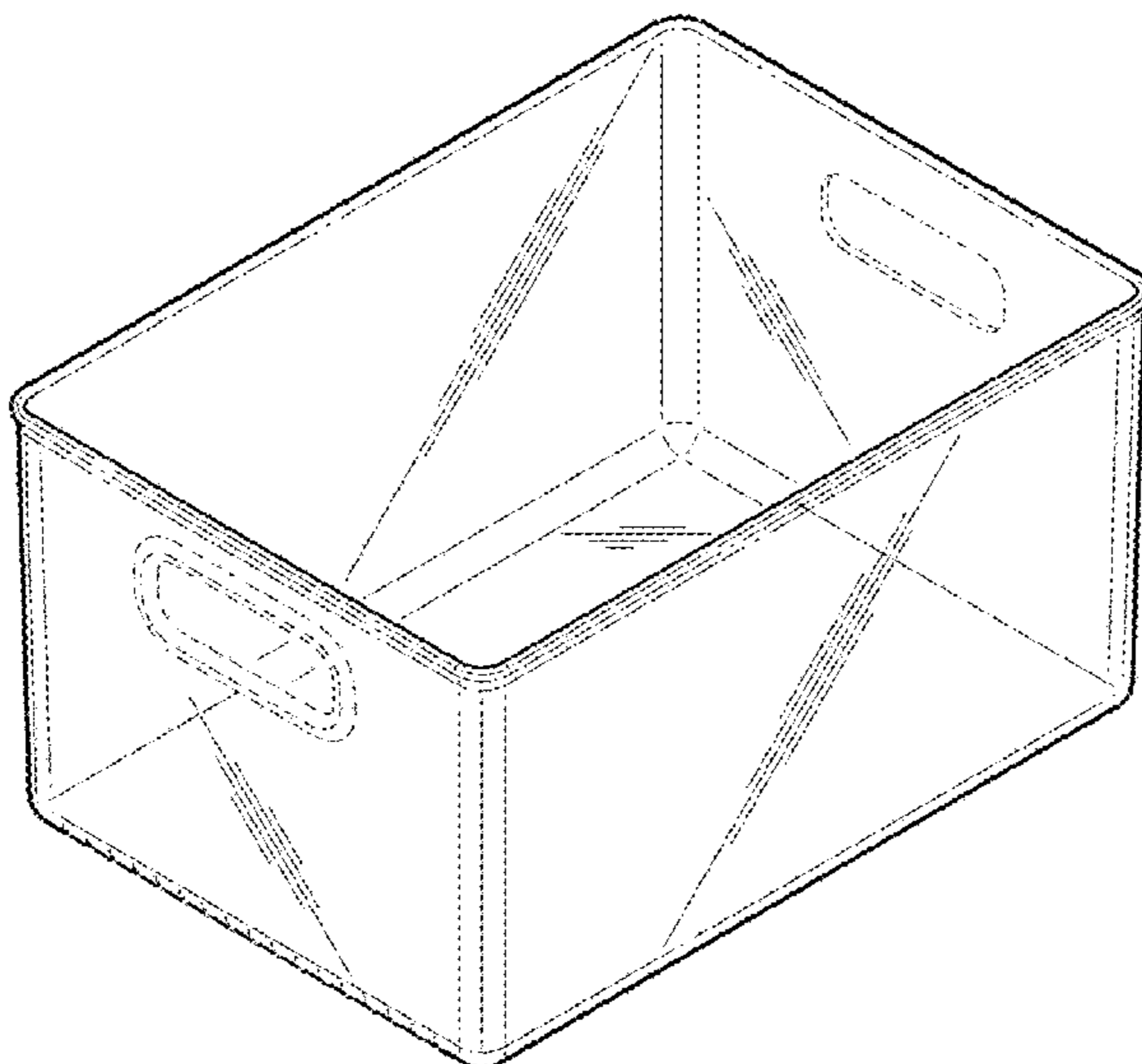
FIG. 4 is a left elevational view; a right elevational view would be a mirror image thereof;

FIG. 5 is a front elevational view; rear elevational view would be identical thereto; and,

FIG. 6 is a bottom plan view thereof.

The uniformly broken lines depict portions that form no part of the claimed design. The dash dot lines define the bounds of the claimed design and also form no part of the claimed design.

1 Claim, 3 Drawing Sheets



(56)

References Cited

U.S. PATENT DOCUMENTS

D235,195	S	*	5/1975	Sauey, Jr. et al.	D3/294
D284,196	S	*	6/1986	Wolff	D15/89
D509,655	S	*	9/2005	Barnes	D3/260
D530,918	S	*	10/2006	Snell	D3/304
D673,368	S	*	1/2013	Scott	D3/304
D712,148	S	*	9/2014	Ghiorgie	D3/304
D745,809	S	*	12/2015	Rowley	D7/605
D772,575	S	*	11/2016	Stelmarski	D3/304
D780,264	S	*	2/2017	Greenspon	D19/90
D809,797	S	*	2/2018	Kraemer	D3/307
D842,606	S	*	3/2019	Kraemer	D3/307
D842,607	S	*	3/2019	Kraemer	D3/310
2008/0000914	A1	*	1/2008	Frankenstein	A45C 13/02 220/507

FOREIGN PATENT DOCUMENTS

DE	202011102692	U1	*	12/2011	B65D 1/243
DE	102011075099	A1	*	11/2012	F25D 25/025
DE	202016101313	U1	*	4/2016	B65D 25/101
EP	0486108	A2	*	5/1992	B65D 1/243
EP	1431193	A2	*	6/2004	B65D 1/243
EP	1707493	A1	*	10/2006	B65D 1/22
EP	1990174	A1	*	11/2008	B29C 45/16
WO	WO-9528324	A1	*	10/1995	B65D 1/243
WO	WO-201000556	A1	*	1/2010	B29C 45/14344
WO	WO-2012069372	A2	*	5/2012	F25D 11/006
WO	D080674-001		*	6/2013		

* cited by examiner

FIG. 1

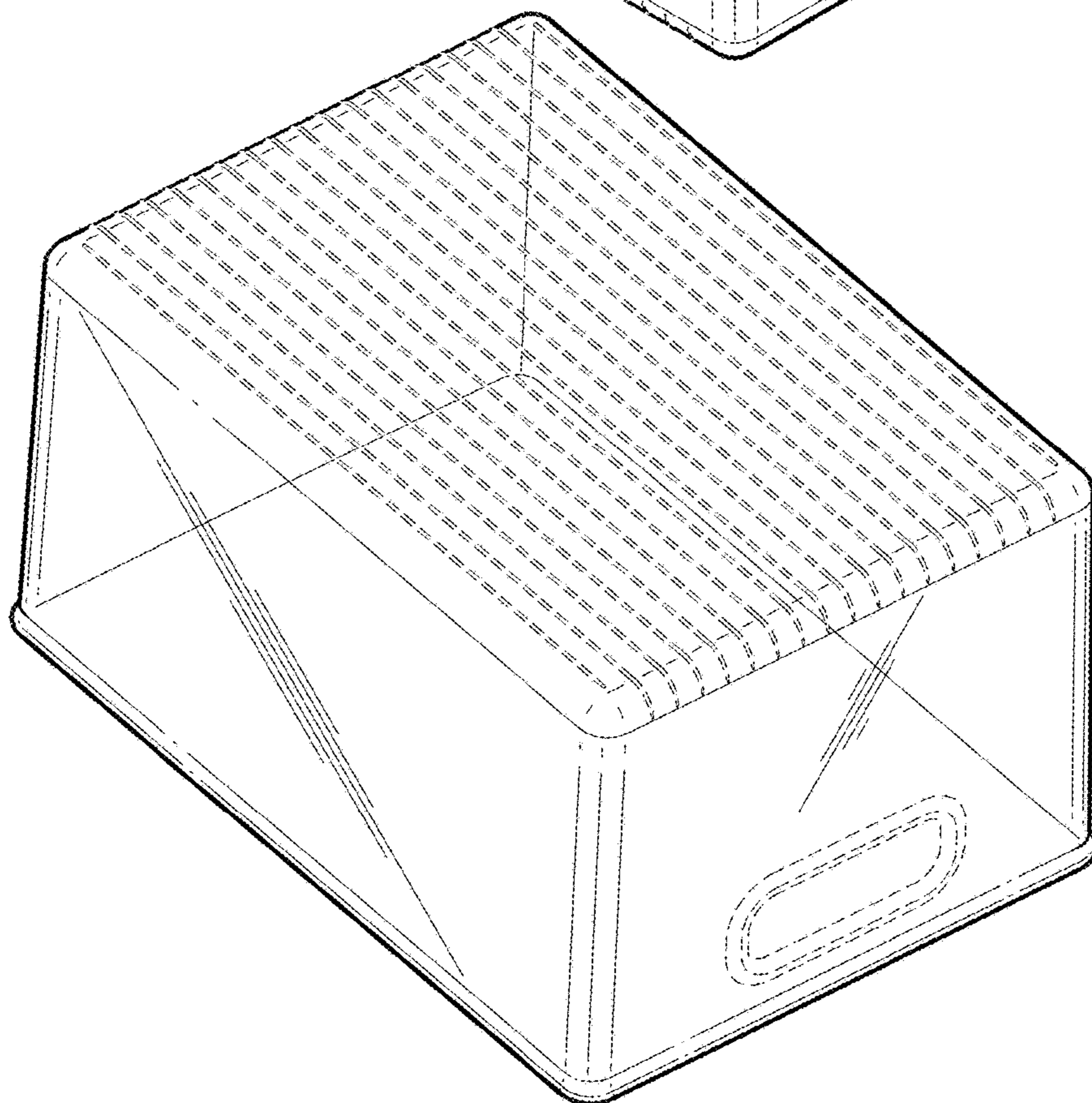
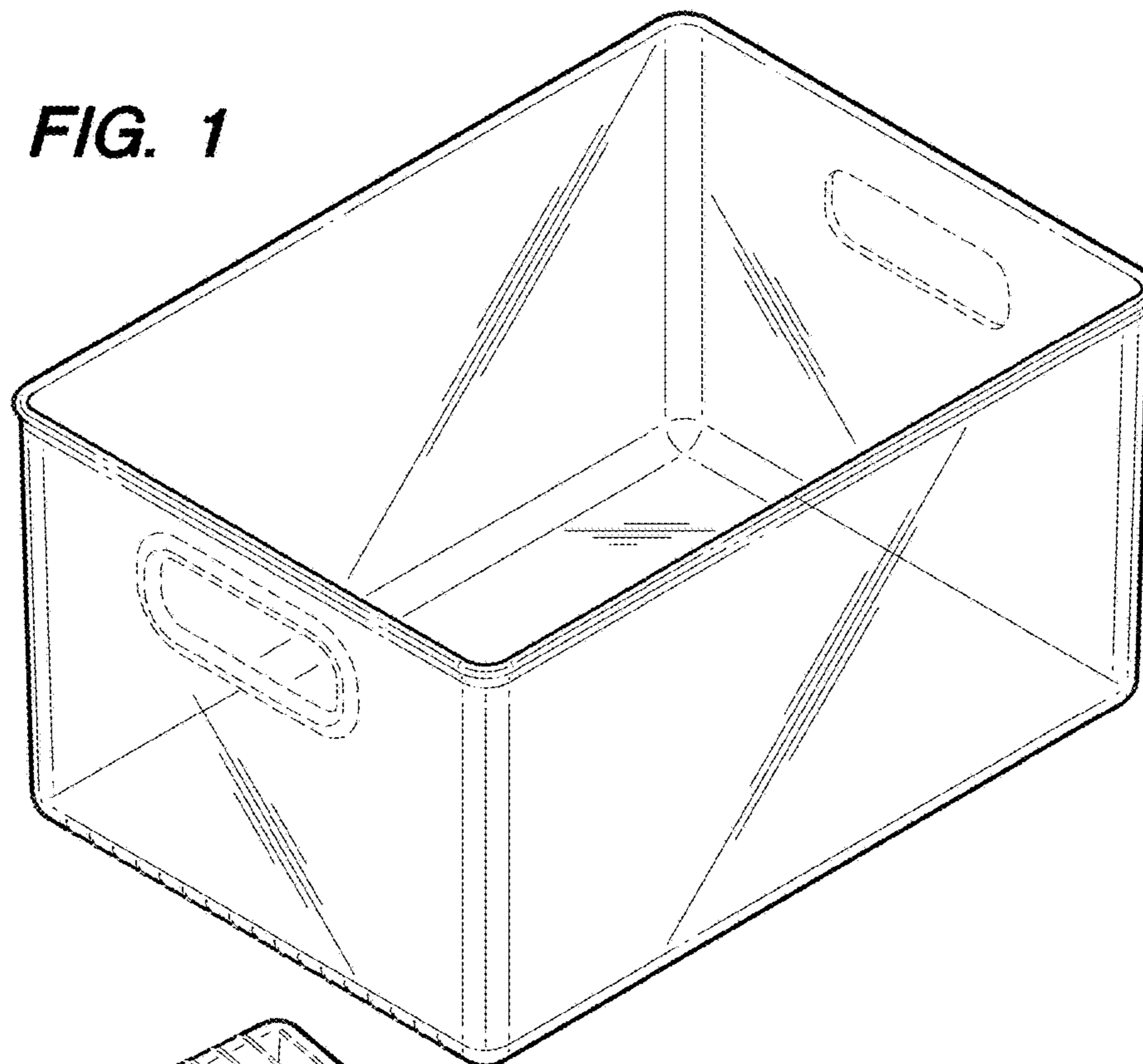


FIG. 2

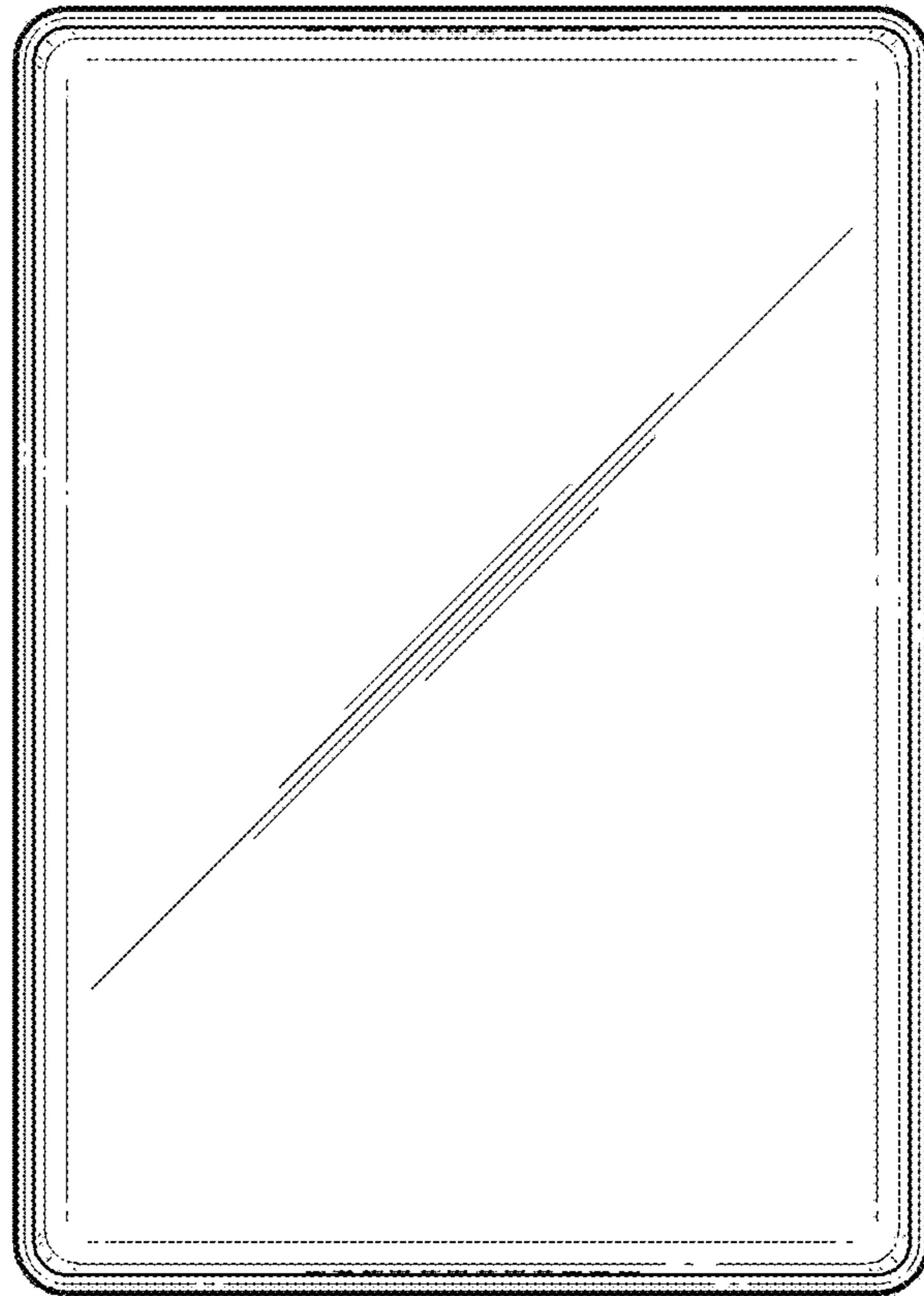


FIG. 3

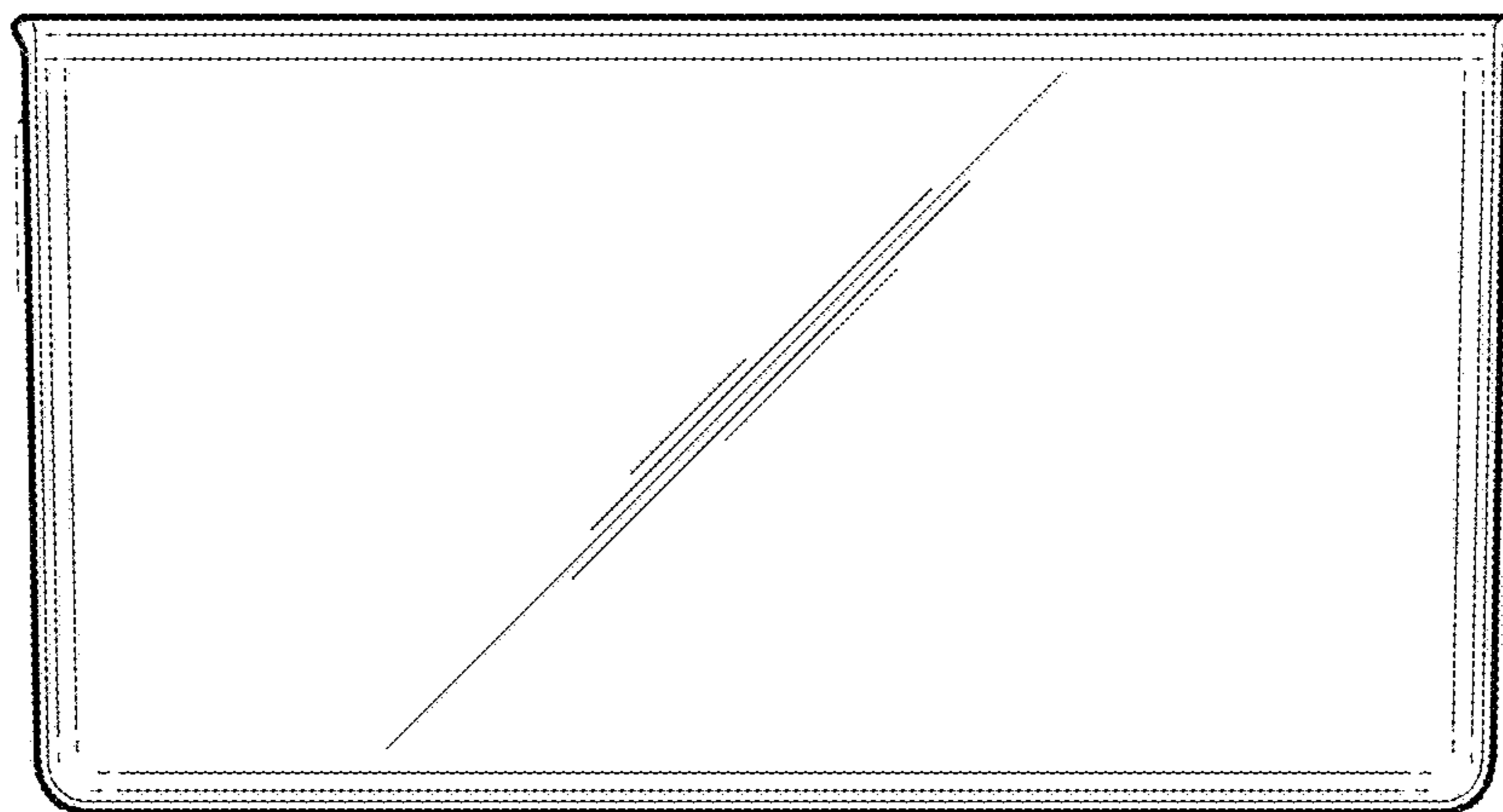


FIG. 4

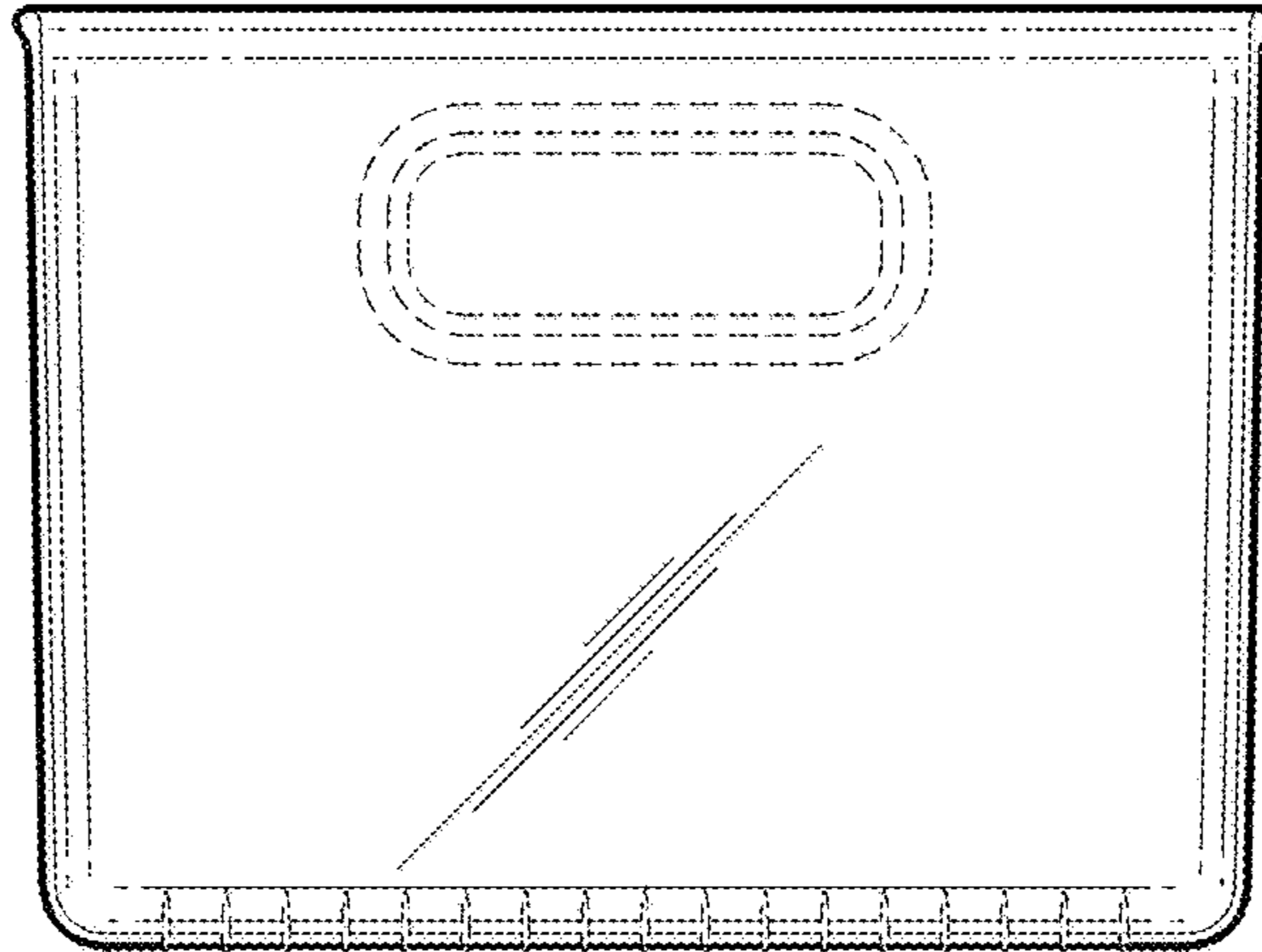


FIG. 5

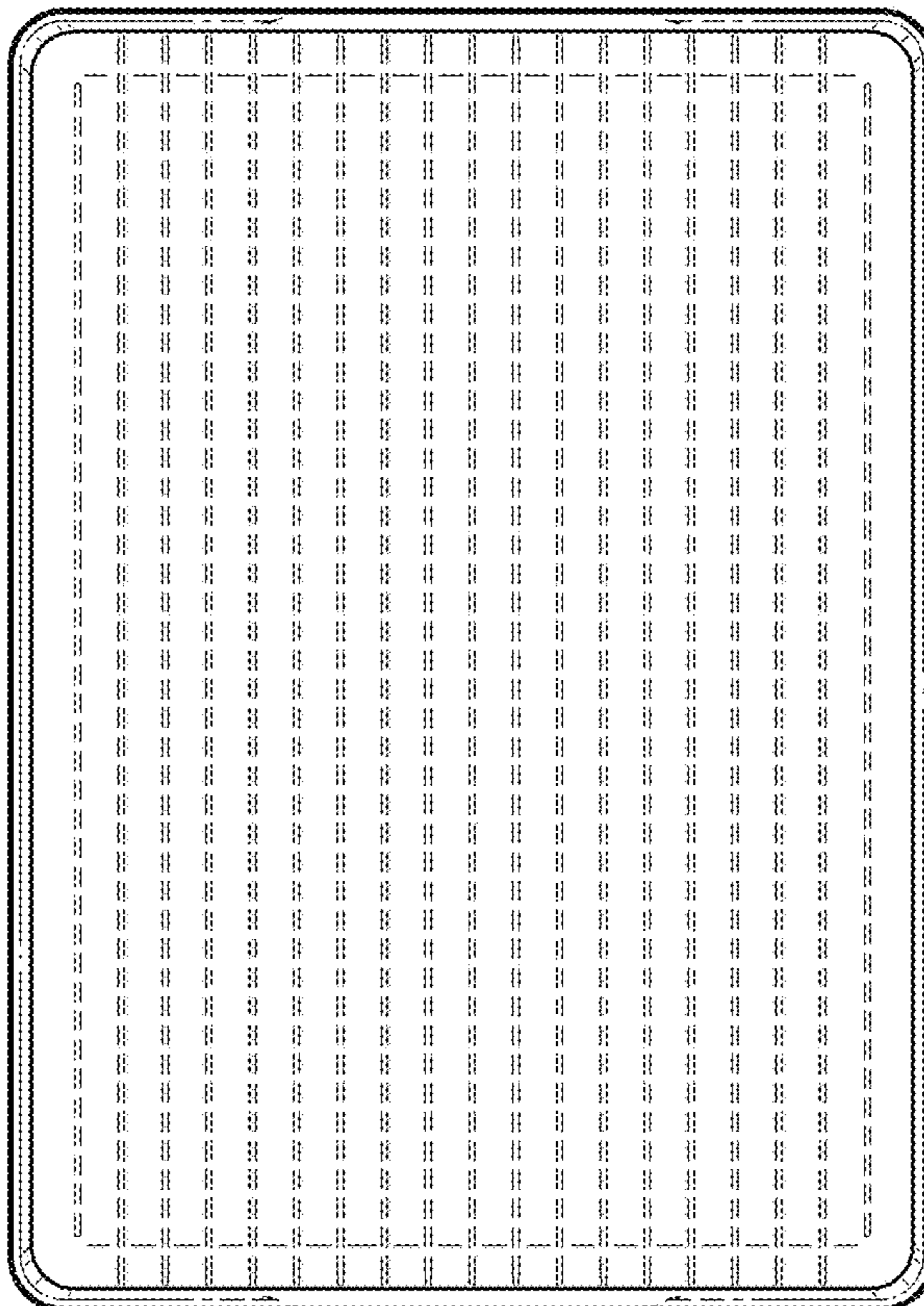


FIG. 6