



US00D866969S

(12) **United States Design Patent** (10) **Patent No.:** **US D866,969 S**  
**Cordani** (45) **Date of Patent:** **\*\* Nov. 19, 2019**

(54) **CELLULAR FIRE SUPPRESSANT CASE**

OTHER PUBLICATIONS

(71) Applicant: **GelTech Solutions, Inc.**, Jupiter, FL (US)

pcmag.com, FireIce Shield ChargeSafe Case, Article by Sascha Segan, Nov. 11, 2016 (Year: 2016).\*

(72) Inventor: **Peter Cordani**, Palm Beach Gardens, FL (US)

\* cited by examiner

(73) Assignee: **GelTech Solutions, Inc.**, Jupiter, FL (US)

*Primary Examiner* — Catherine R Oliver-Garcia

(74) *Attorney, Agent, or Firm* — McHale & Slavin, P.A.

(\*\*) Term: **15 Years**

(57) **CLAIM**

(21) Appl. No.: **29/601,726**

The ornamental design for a cellular fire suppressant case, as shown and described.

(22) Filed: **Apr. 25, 2017**

(51) **LOC (12) Cl.** ..... **03-01**

**DESCRIPTION**

(52) **U.S. Cl.**

USPC ..... **D3/301**; D3/900

(58) **Field of Classification Search**

USPC ..... D3/301, 289, 900, 273, 276, 280, 903, D3/901, 201, 294; 206/320, 424, 810, 206/581; D28/82-83; D9/420; 190/900-901, 119-121, 903

CPC ..... A45C 3/00; A45C 3/02; B65D 75/326; B65D 85/38; B65D 2575/329

See application file for complete search history.

FIG. 1 is a perspective view of the cellular phone fire suppressant case of the instant invention in a closed position; FIG. 2 is a front view thereof; FIG. 3 is a rear view thereof depicting two exhaust apertures; FIG. 4 is a right side view thereof; FIG. 5 is a left side view thereof; FIG. 6 is a top view thereof; FIG. 7 is a bottom view thereof; FIG. 8 is a perspective view of said cellular phone fire suppressant case in an open position depicting an fire suppressant packets placed beneath ventilated shields on the left side and on the right side; FIG. 9 is a right side of FIG. 8; FIG. 10 is a left side of FIG. 8; FIG. 11 is a front of FIG. 8; FIG. 12 is a rear view of FIG. 8; FIG. 13 is a top plan view of FIG. 8 depicting said exhaust apertures; and, FIG. 14 is a bottom plan view of FIG. 8.

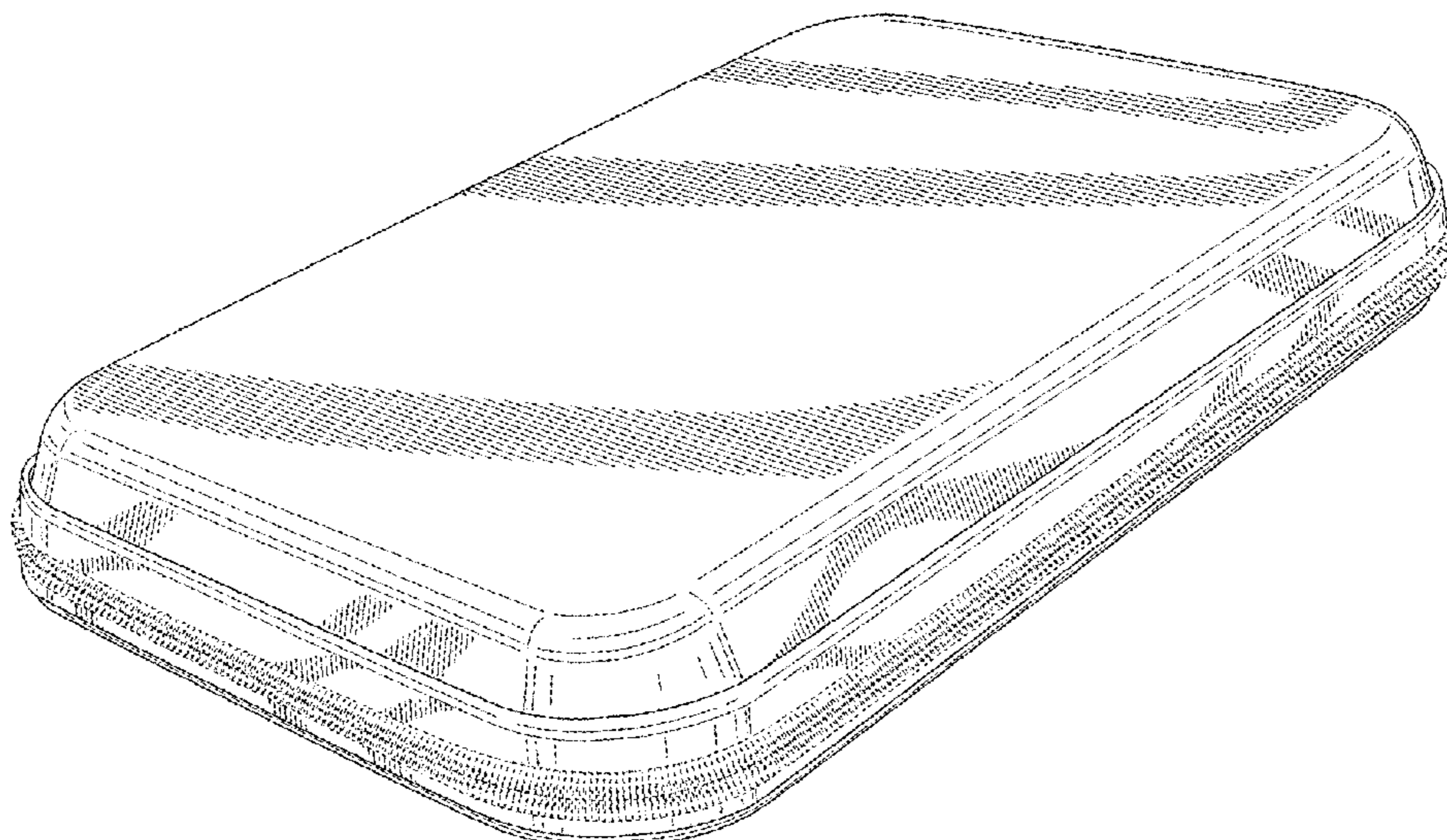
The portions of the cellular phone fire suppressant case illustrated in broken lines form no part of the claim for the cellular phone fire suppressant case.

(56) **References Cited**

U.S. PATENT DOCUMENTS

2,018,551	A *	10/1935	Freling	.....	A45C 3/02
					190/901
D464,196	S *	10/2002	Parker	.....	D3/201
D500,204	S *	12/2004	Hillman	.....	D3/301
D659,998	S *	5/2012	Austin	.....	D3/301
D665,170	S *	8/2012	Lipfert	.....	D3/289
D669,270	S *	10/2012	Phillips	.....	D3/301
D675,823	S *	2/2013	Vernall	.....	D3/294
D713,642	S *	9/2014	Krauss	.....	D3/301
D748,915	S *	2/2016	Reyes	.....	D3/301
D758,065	S *	6/2016	Zwetzig	.....	D3/201
D793,074	S *	8/2017	Tollefsbol	.....	D3/201
D822,996	S *	7/2018	Ehara	.....	D3/301

**1 Claim, 10 Drawing Sheets**





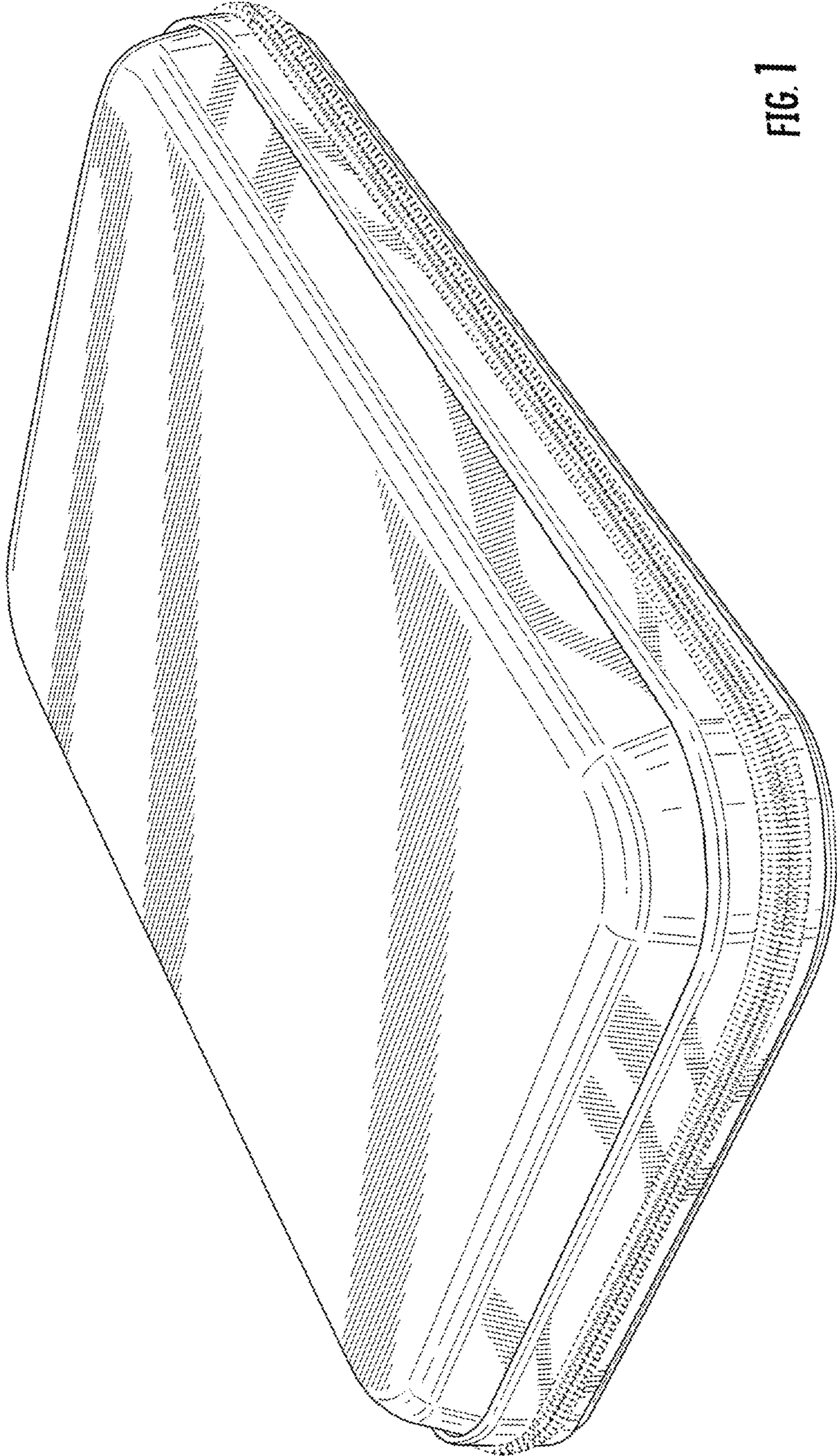


FIG. 1



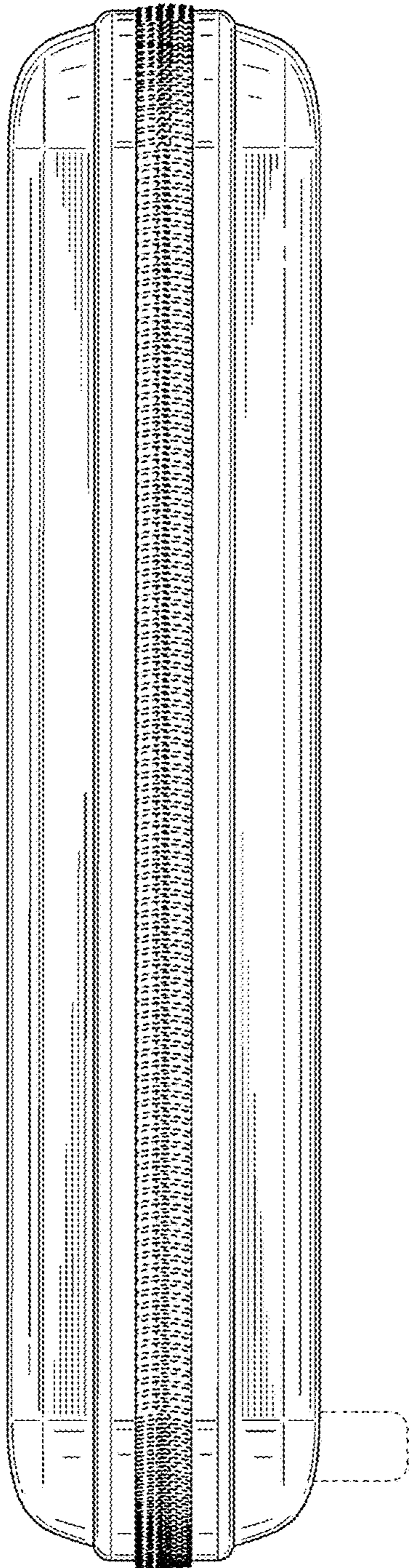


FIG. 2

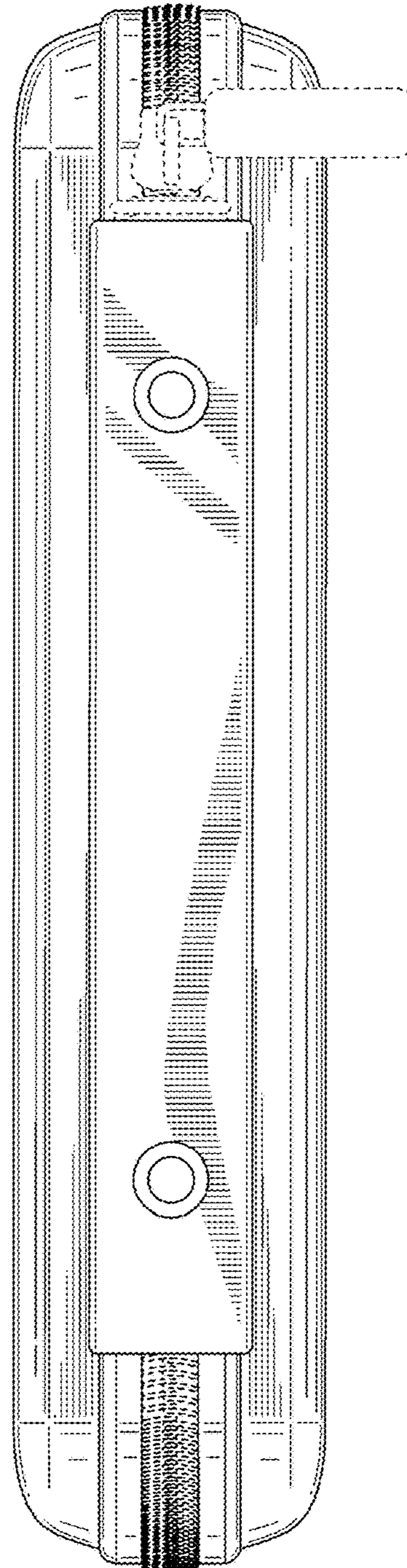


FIG. 3

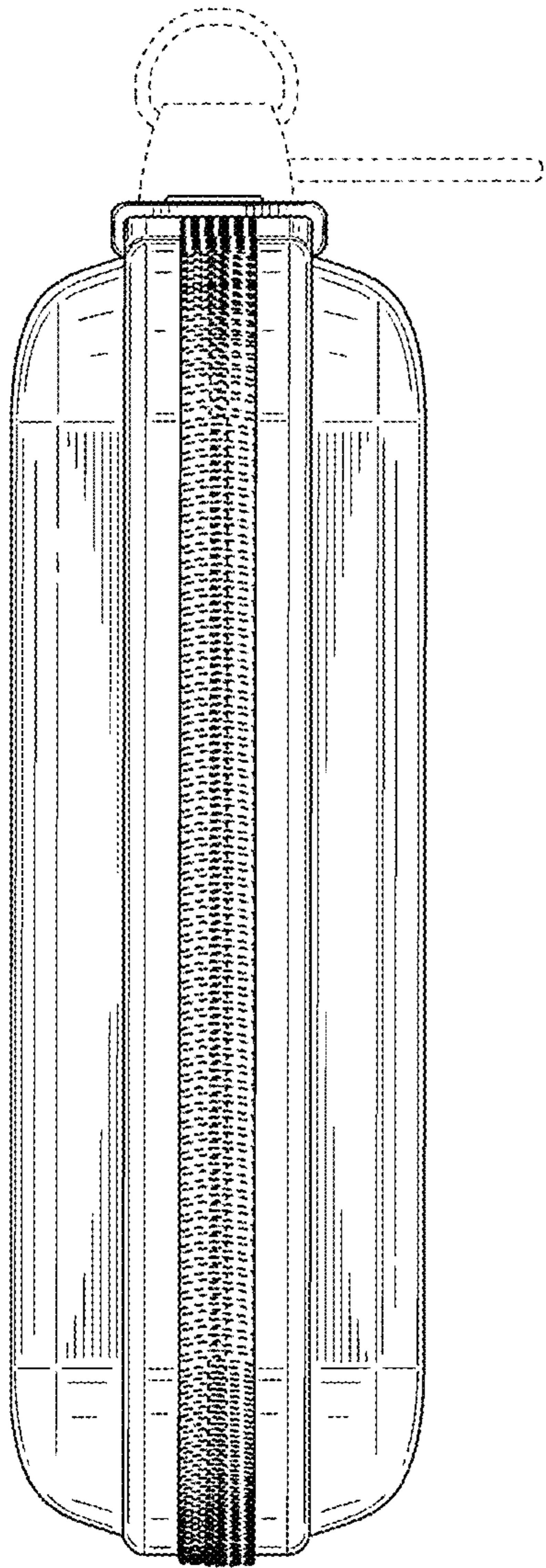


FIG. 4

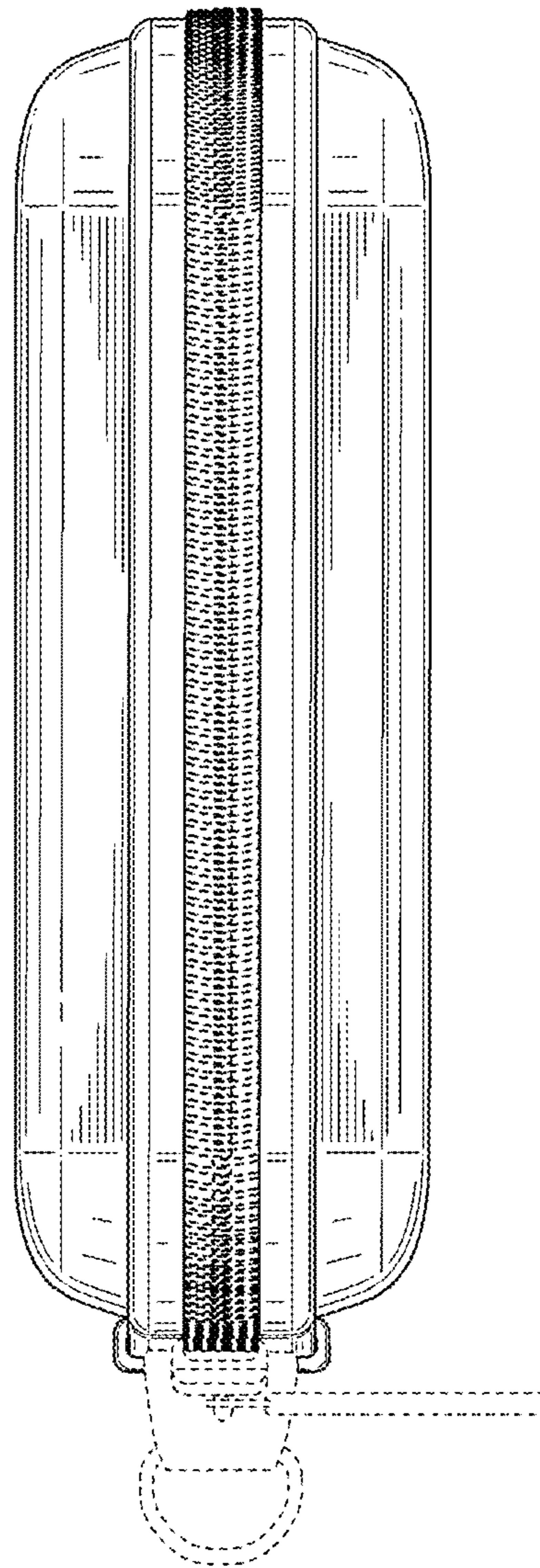


FIG. 5



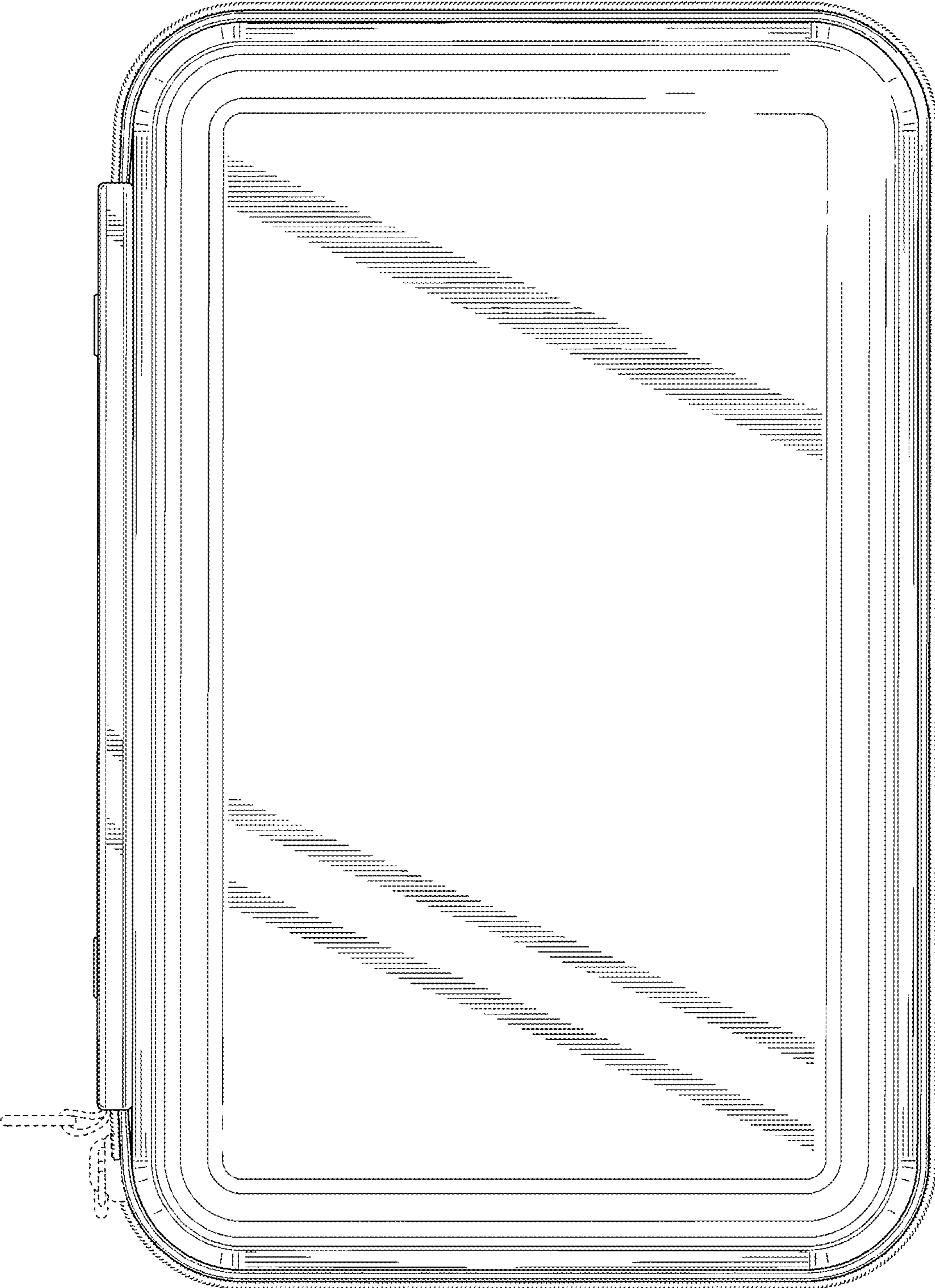


FIG. 6

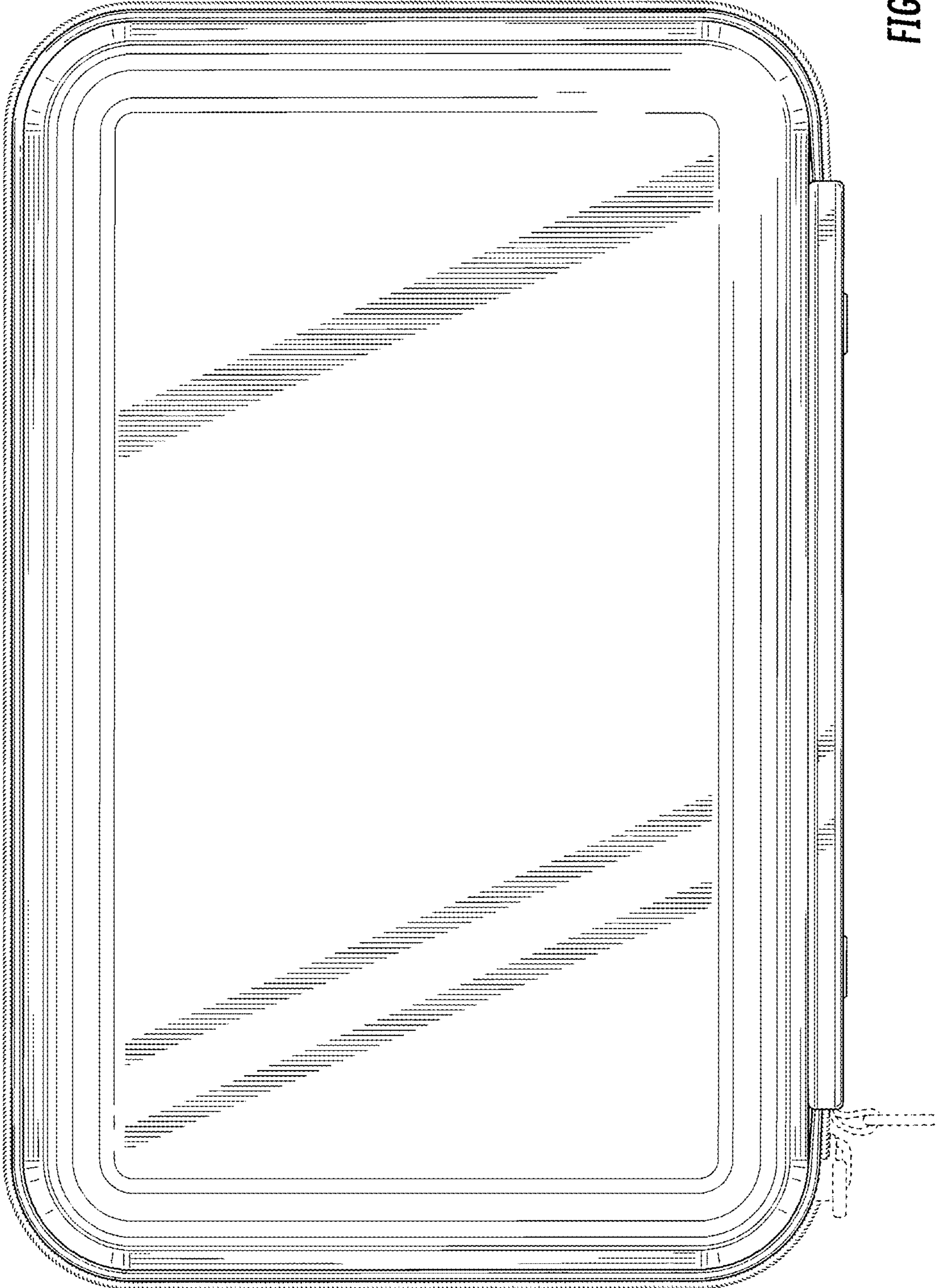


FIG. 7



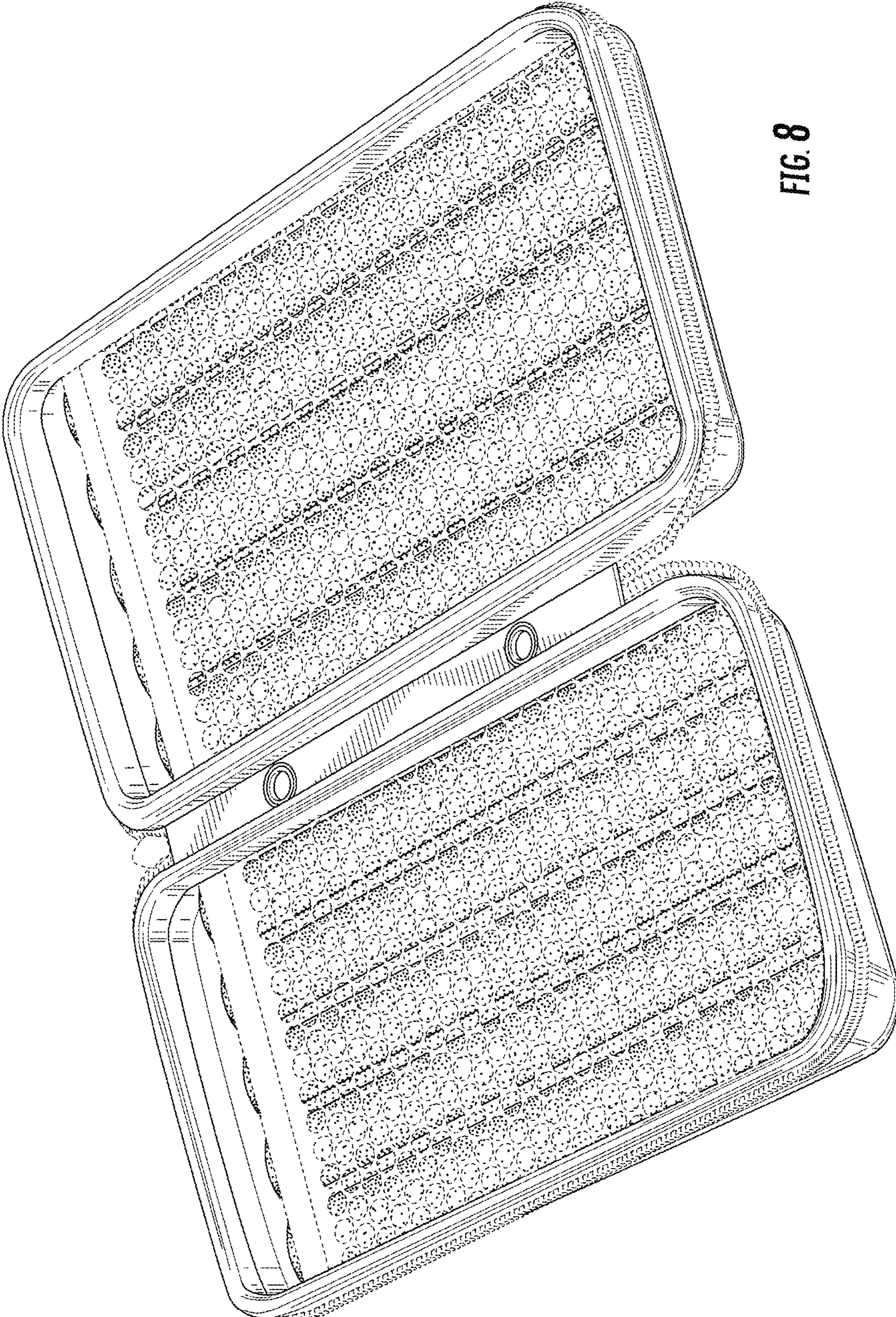


FIG. 8



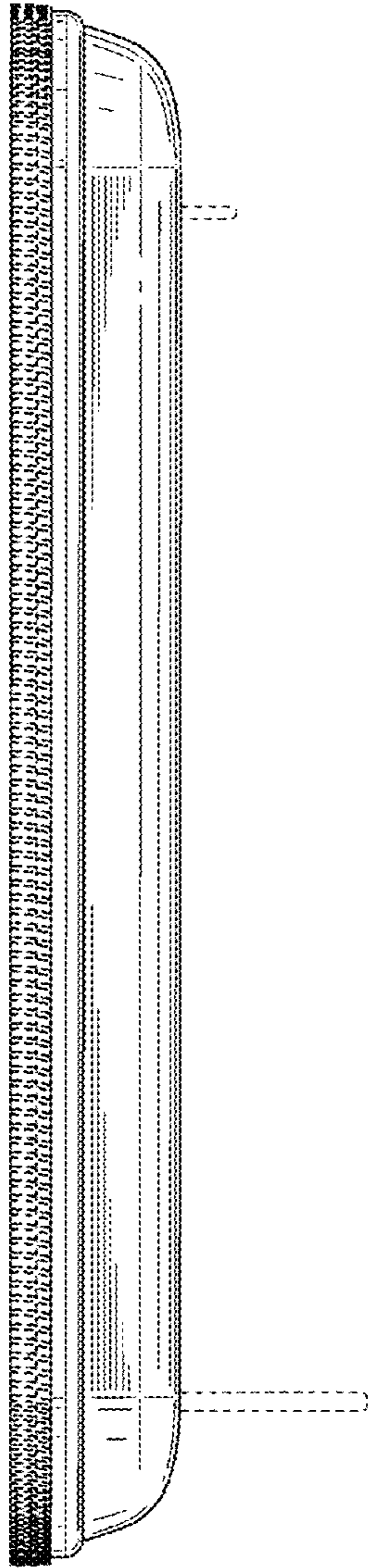


FIG. 9

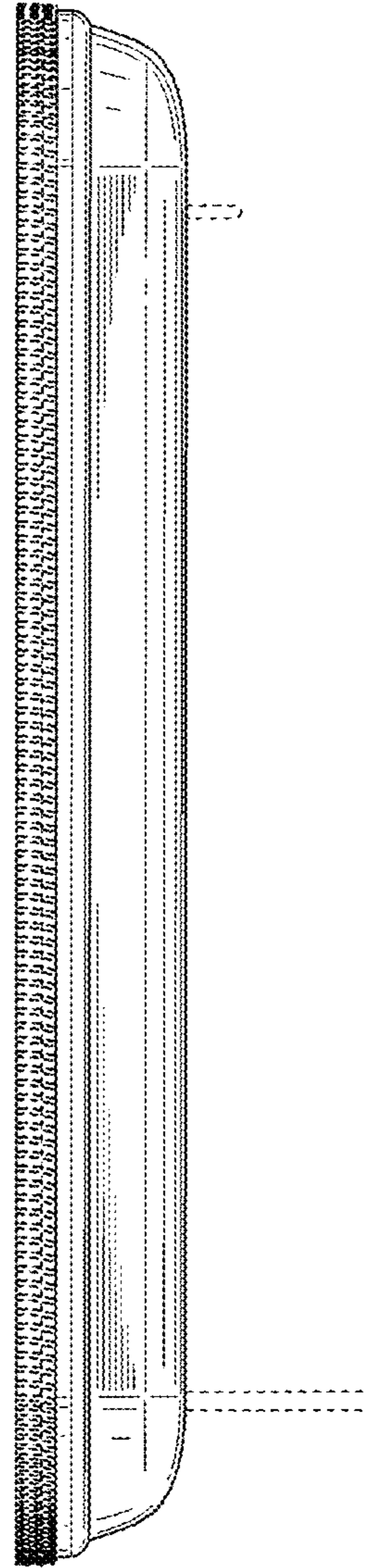


FIG. 10



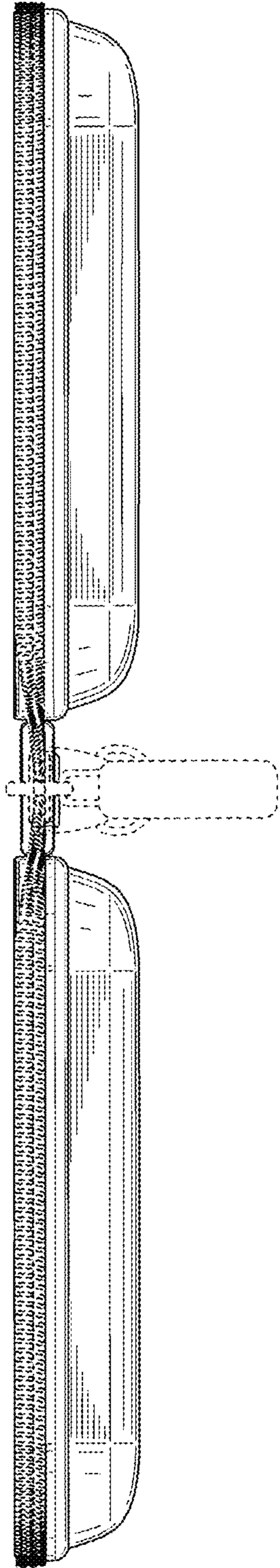


FIG. 11

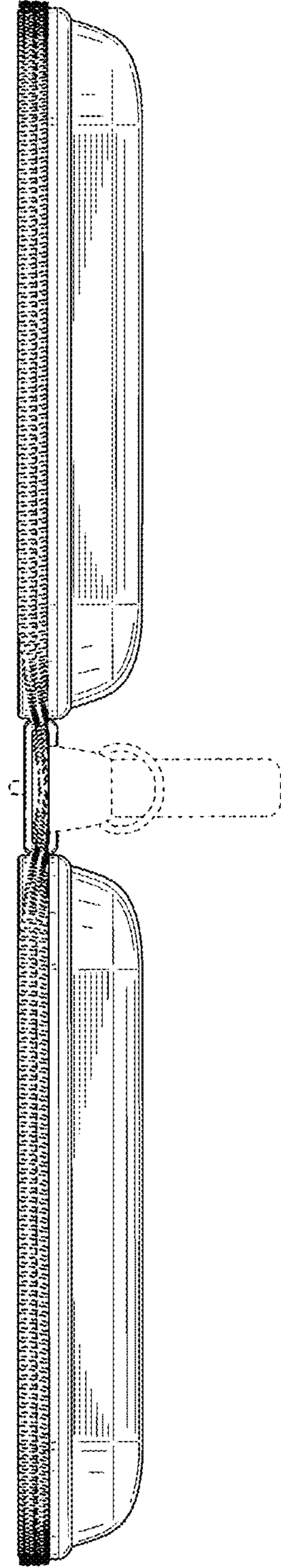


FIG. 12



FIG. 13

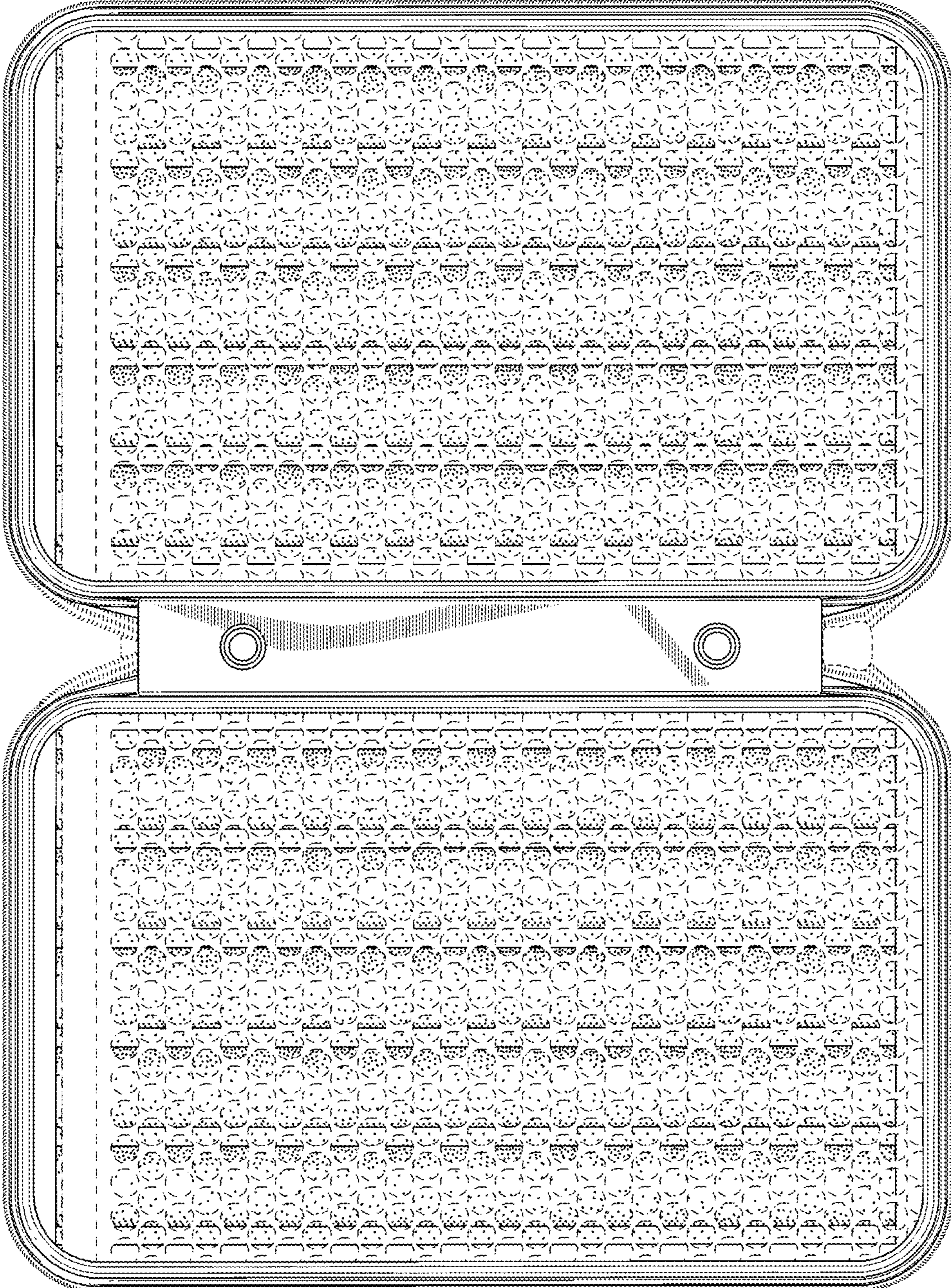




FIG. 14

