



US00D866967S

(12) **United States Design Patent**
Meng

(10) **Patent No.:** **US D866,967 S**

(45) **Date of Patent:** **** Nov. 19, 2019**

(54) **TOOL BOX**

(71) Applicant: **Ji-Fen Meng**, Taichung (TW)

(72) Inventor: **Ji-Fen Meng**, Taichung (TW)

(**) Term: **15 Years**

(21) Appl. No.: **29/648,070**

(22) Filed: **May 18, 2018**

(51) **LOC (12) Cl.** **03-01**

(52) **U.S. Cl.**
USPC **D3/294**

(58) **Field of Classification Search**
USPC D3/201, 267, 269, 273, 294, 300, 905
CPC G03B 17/02; G03B 19/04; G03B 17/56;
G03B 17/04; G03B 17/03; H04N 5/2251;
H04N 5/2252; H04N 5/2253; H04N
5/2254; H04N 7/181; H04N 7/183; H04N
7/18

See application file for complete search history.

(56) **References Cited**

U.S. PATENT DOCUMENTS

D502,316 S * 3/2005 Chen D3/273
D548,971 S * 8/2007 Lin D3/294

D552,352 S * 10/2007 Lin D3/294
D569,616 S * 5/2008 Lin D3/273
D569,617 S * 5/2008 Lin D3/282
D668,866 S * 10/2012 Meng D3/273
D712,137 S * 9/2014 Hsu D3/228
D721,491 S * 1/2015 Wang D3/273
D773,184 S * 12/2016 Ko D3/274
D789,086 S * 6/2017 Lin D3/294
D795,874 S * 8/2017 Szeremeta D14/432
D801,685 S * 11/2017 Meng D3/294
D822,386 S * 7/2018 Tsai D3/321

* cited by examiner

Primary Examiner — Holly E Thurman

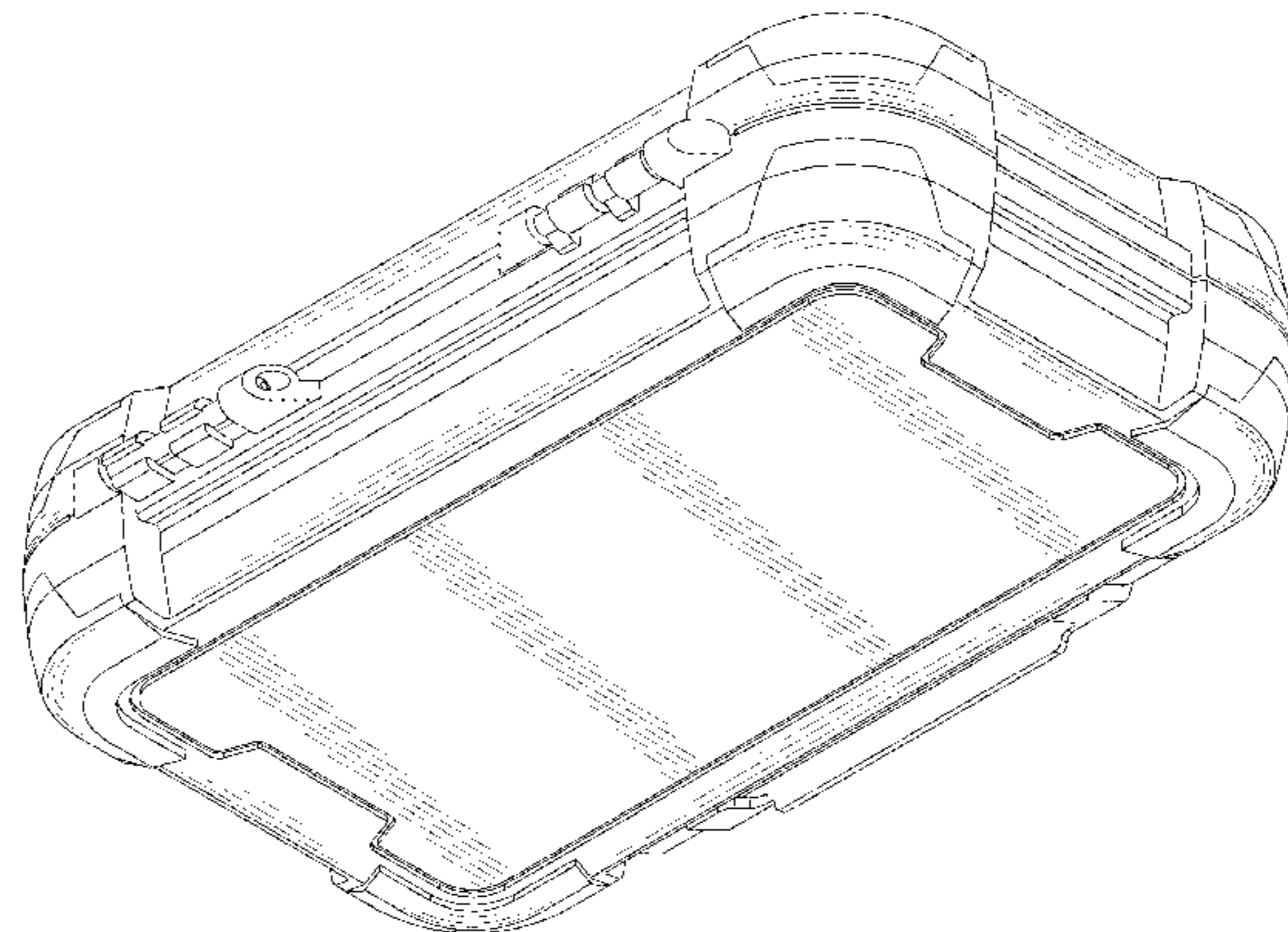
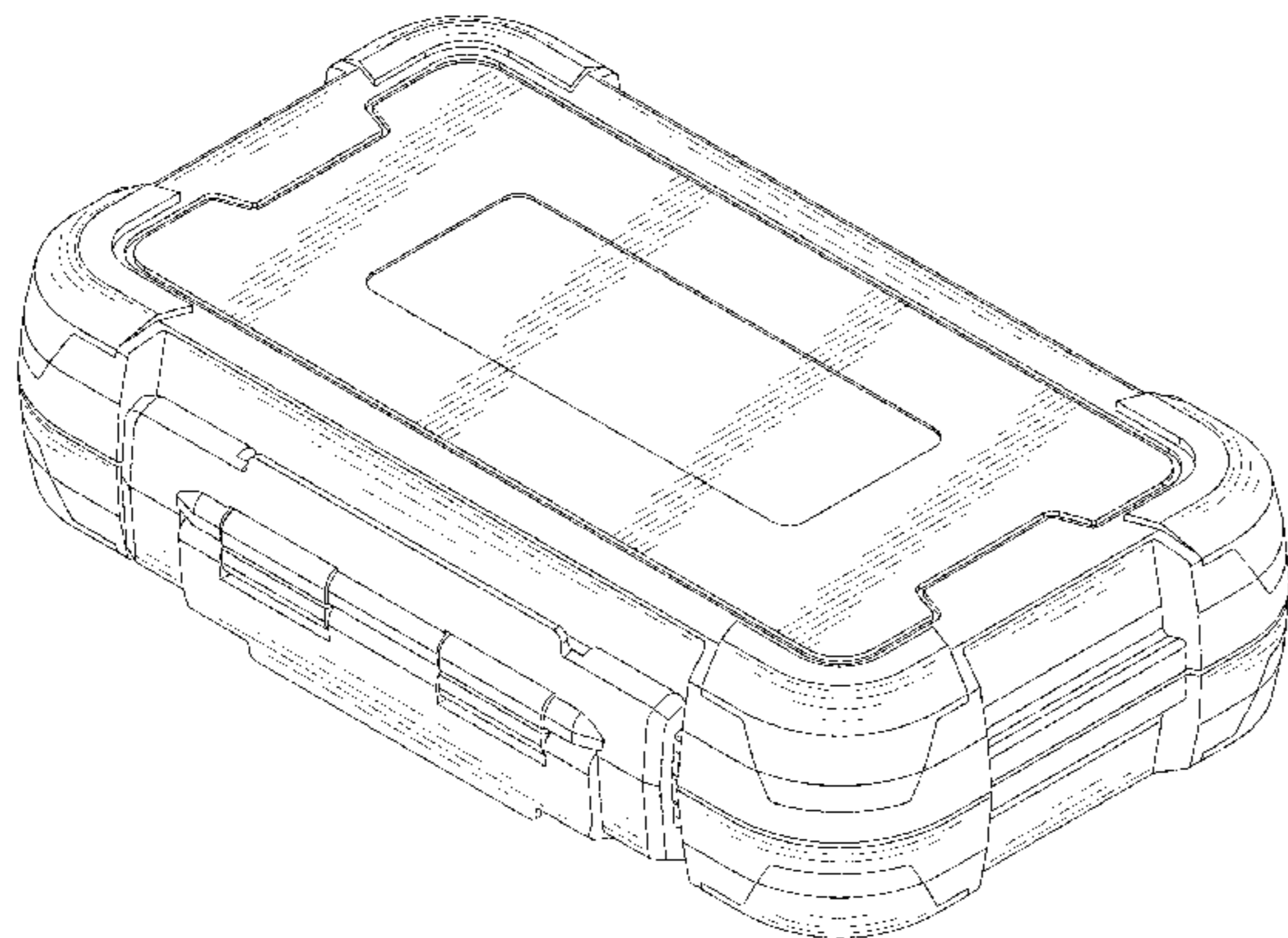
(57) **CLAIM**

The ornamental design for a tool box, as shown and described.

DESCRIPTION

FIG. 1 is a front-right-top perspective view of the tool box showing my new design;
FIG. 2 is a front elevational view thereof;
FIG. 3 is a rear front elevational view thereof;
FIG. 4 is a left side elevational view thereof;
FIG. 5 is a right side elevational view thereof;
FIG. 6 is a top plan view thereof;
FIG. 7 is a bottom plan view thereof; and,
FIG. 8 is an another perspective view thereof.

1 Claim, 8 Drawing Sheets



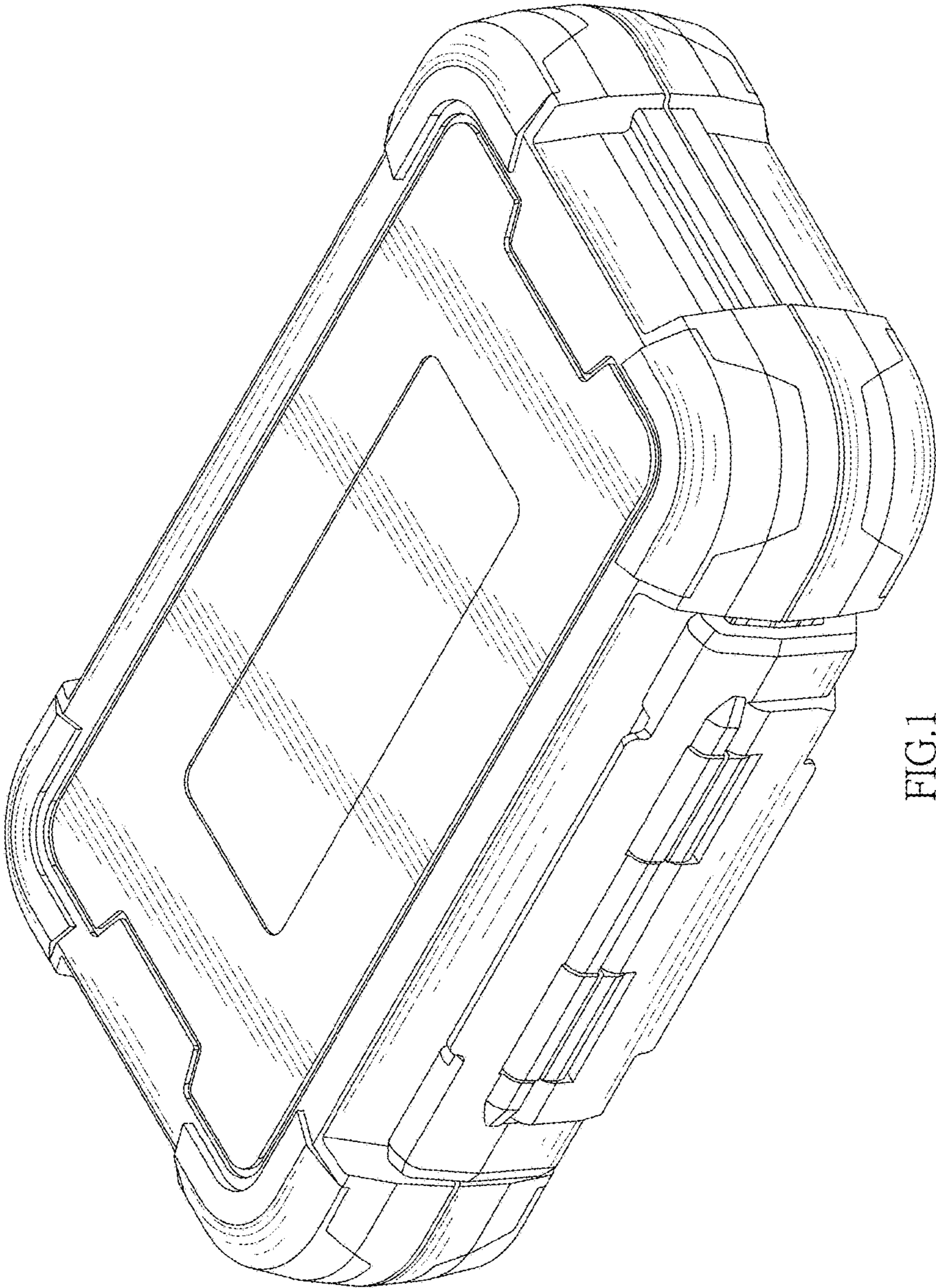


FIG.1

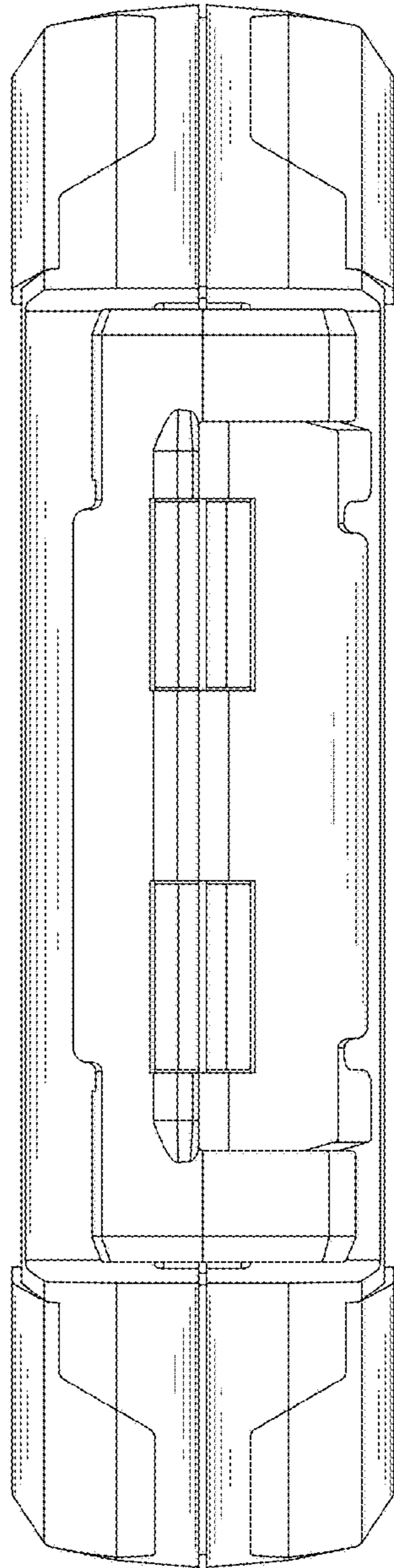


FIG.2

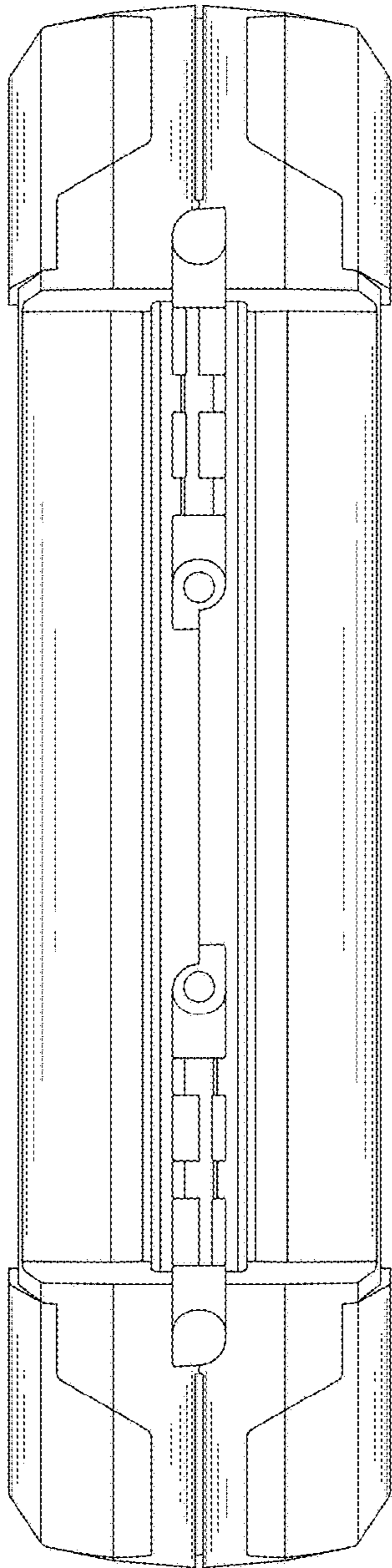


FIG.3

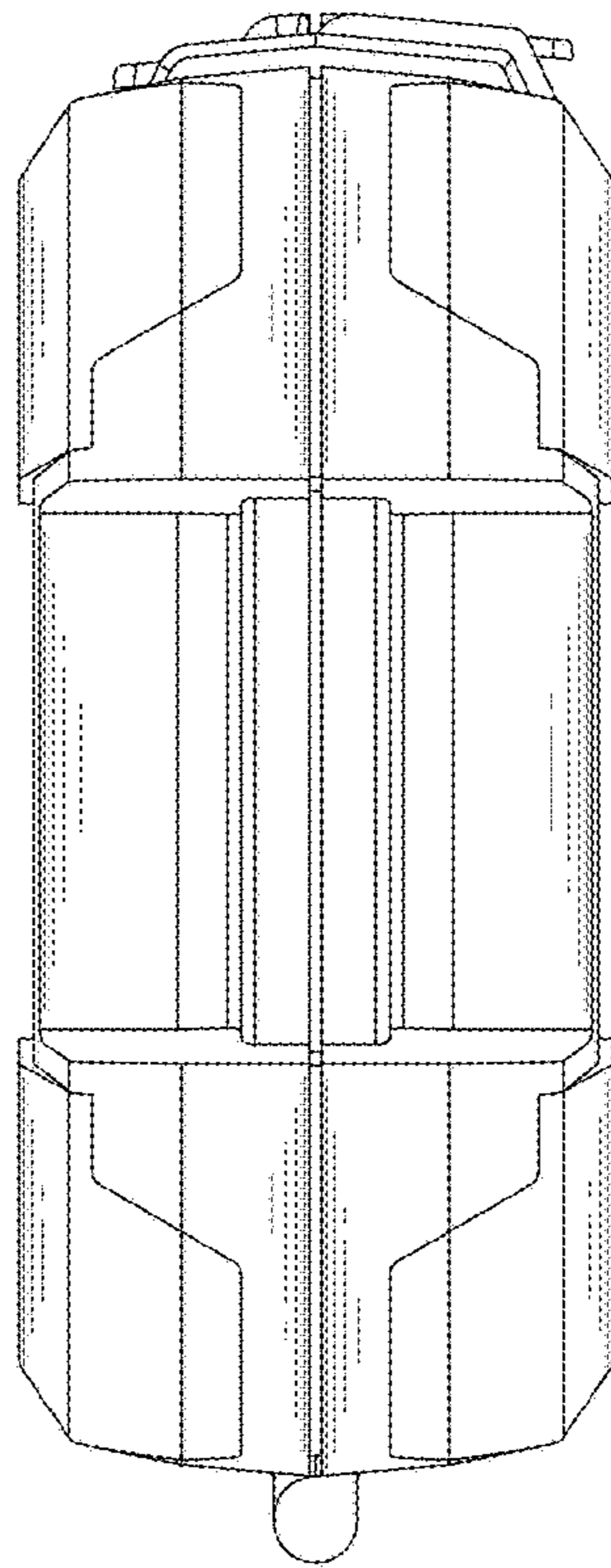


FIG.4

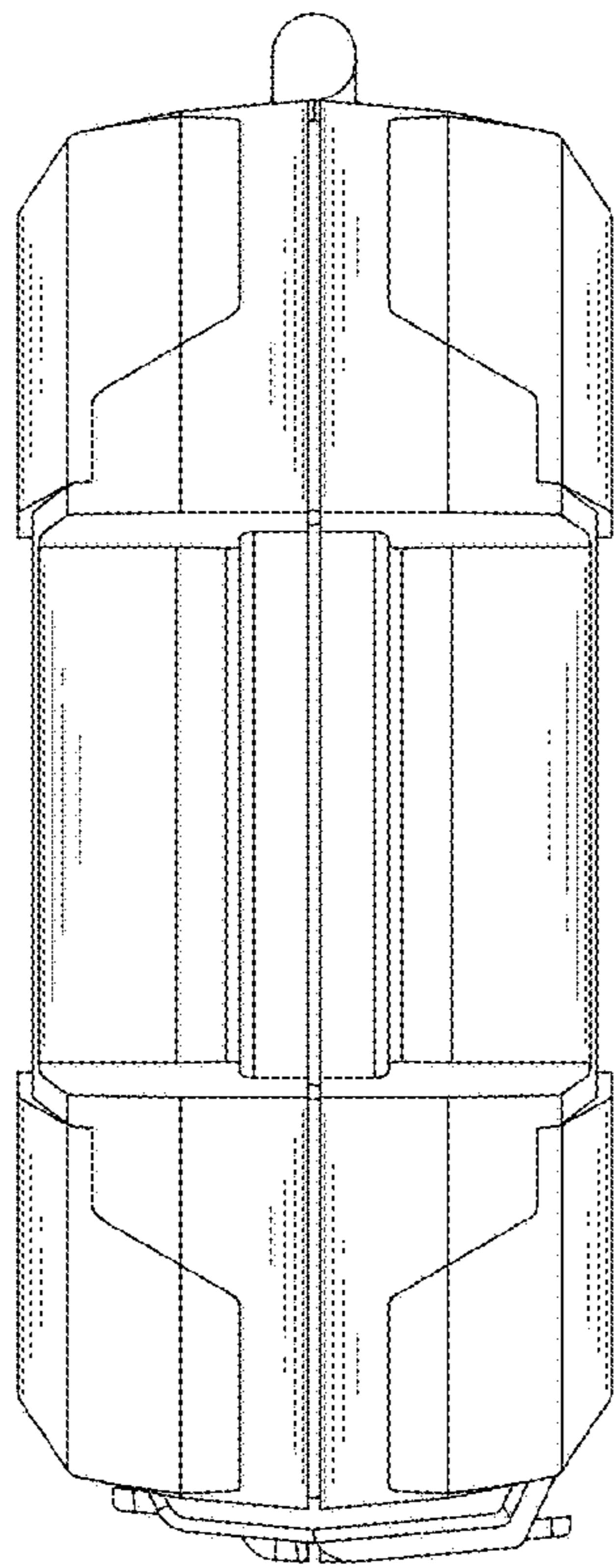


FIG.5

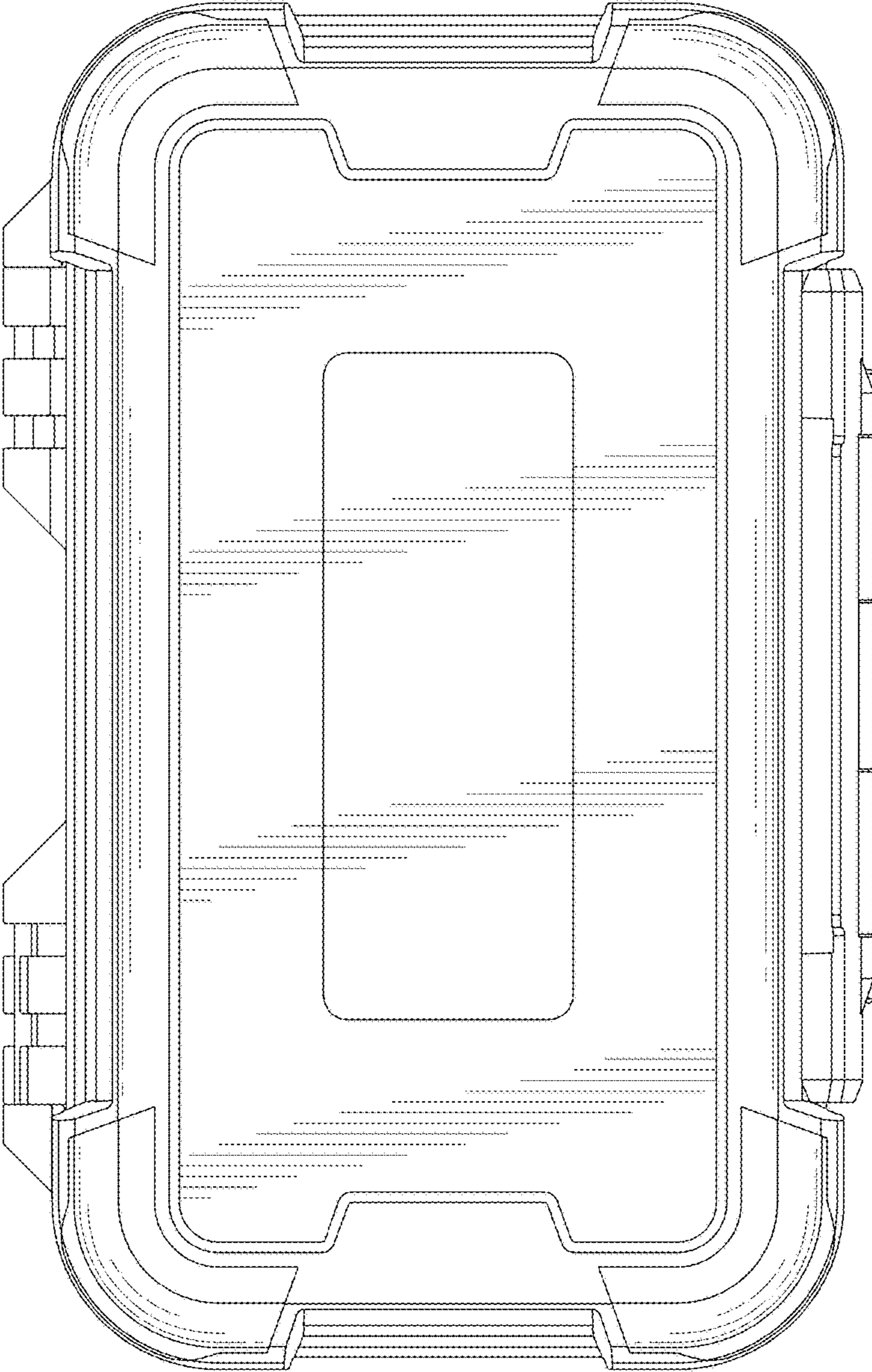


FIG.6

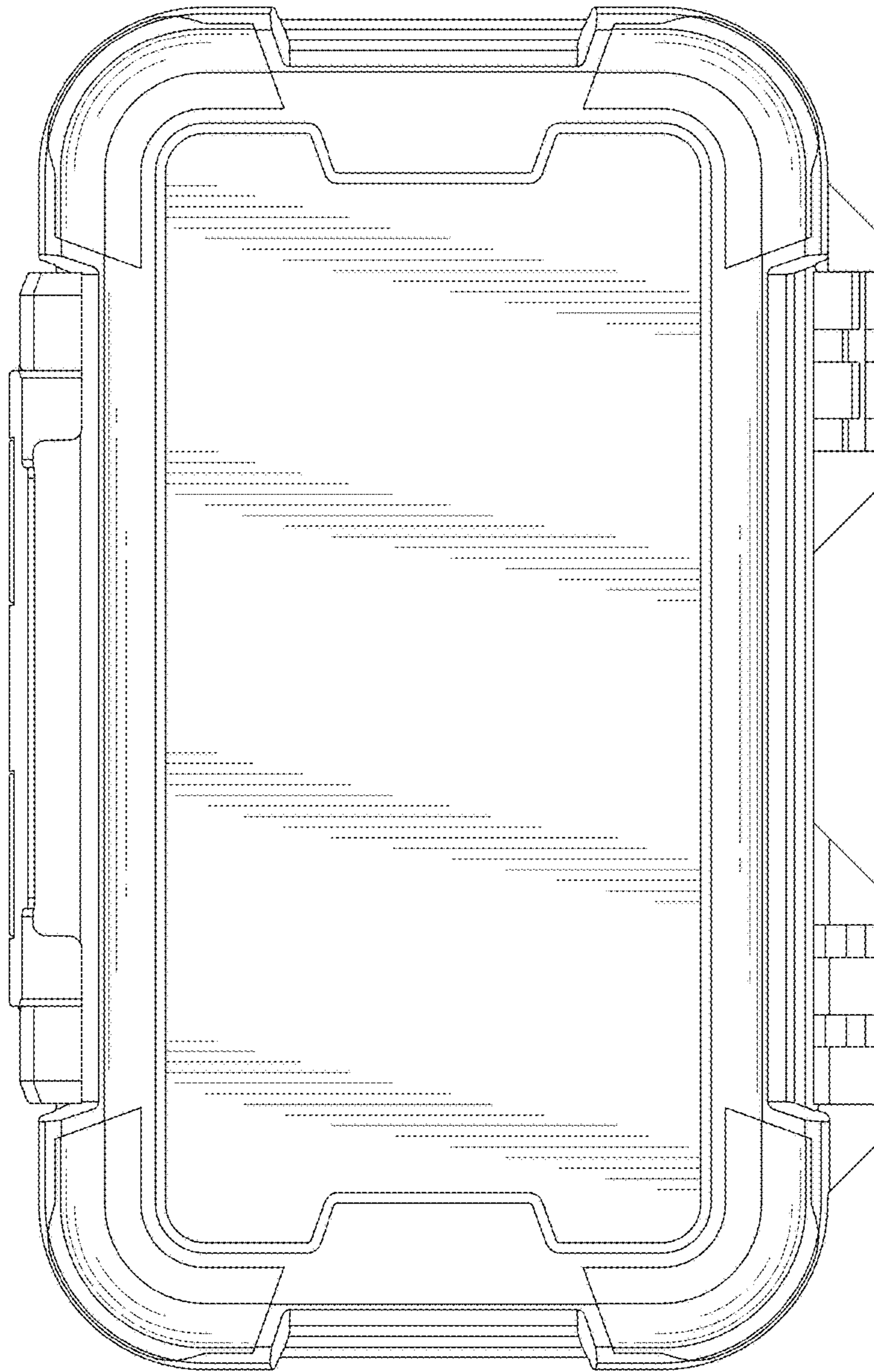


FIG.7

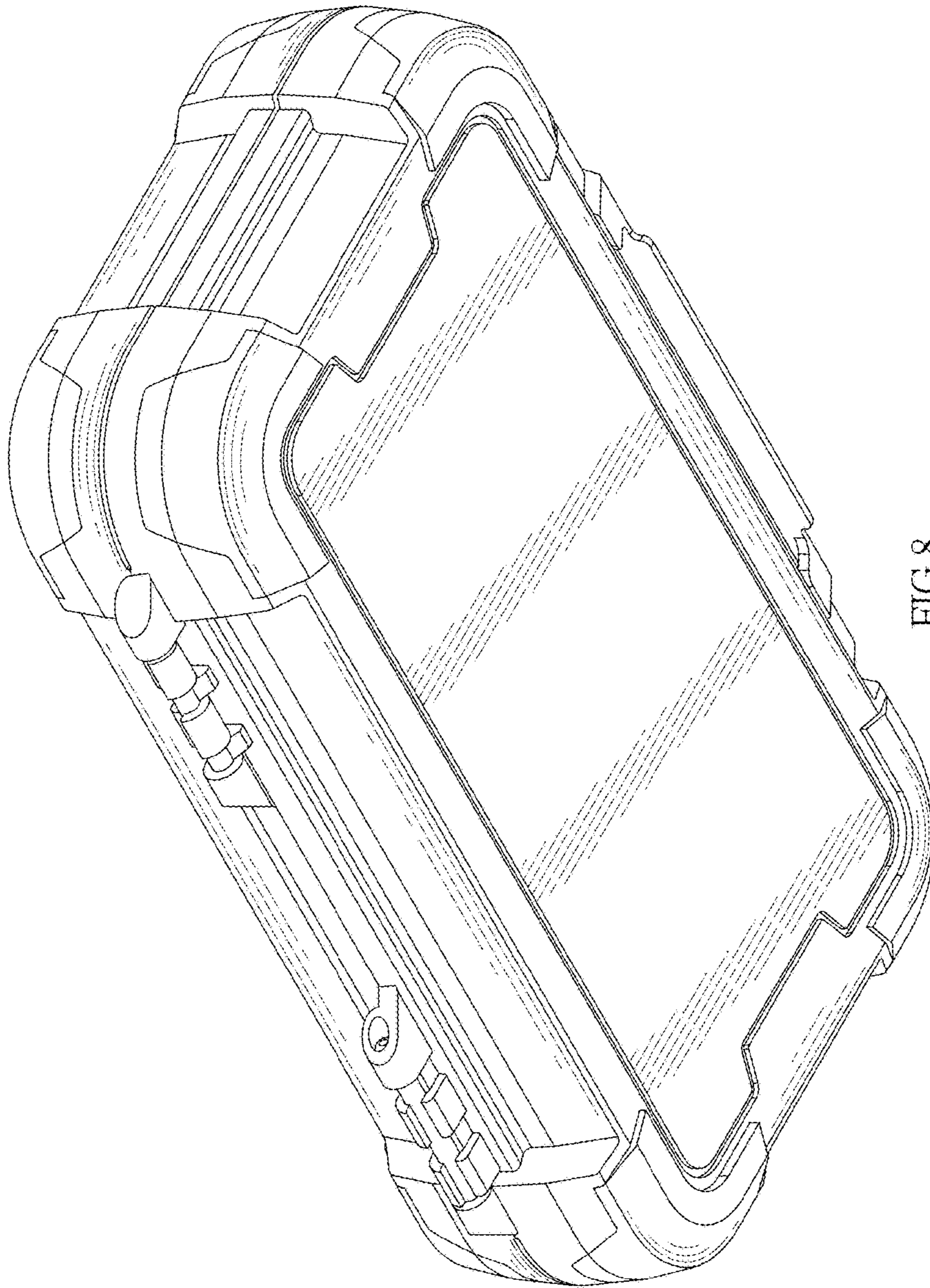


FIG.8