



US00D866965S

(12) **United States Design Patent**  
**Chen**

(10) **Patent No.:** **US D866,965 S**

(45) **Date of Patent:** **\*\* Nov. 19, 2019**

(54) **FASTENER CONTAINER**

(71) Applicant: **CHENG YU ENTERPRISES CO., LTD.**, Tainan (TW)

(72) Inventor: **Min-Chien Chen**, Tainan (TW)

(73) Assignee: **CHENG YU ENTERPRISES CO., LTD.**, Tainan (TW)

(\*\*) Term: **15 Years**

(21) Appl. No.: **29/585,713**

(22) Filed: **Nov. 28, 2016**

(51) **LOC (12) Cl.** ..... **03-01**

(52) **U.S. Cl.**  
USPC ..... **D3/294**

(58) **Field of Classification Search**  
USPC ..... D3/272, 273, 274, 275, 276, 281, 284,  
D3/292, 294, 306; D9/414, 418,  
D9/420-423, 432  
CPC .. A45C 5/00; A45C 5/04; A45C 11/00; A45C  
11/16  
See application file for complete search history.

(56) **References Cited**

**U.S. PATENT DOCUMENTS**

D396,749 S \* 8/1998 Ortiz ..... D3/284  
D473,054 S \* 4/2003 Roehrig ..... D3/294

D526,481 S \* 8/2006 Dong ..... D3/276  
D645,663 S \* 9/2011 Henley ..... D3/294  
D657,953 S \* 4/2012 Hasegawa ..... D3/294  
D679,908 S \* 4/2013 Hurt ..... D3/294  
D709,288 S \* 7/2014 Luburic ..... D3/276  
D714,552 S \* 10/2014 Jiang ..... B25H 3/022  
D3/294  
RE45,787 E \* 11/2015 Hurt ..... D3/294  
D781,772 S \* 3/2017 Sanz ..... D12/345  
D816,995 S \* 5/2018 Fleming ..... D3/294  
D818,712 S \* 5/2018 Fleming ..... D3/294  
D828,029 S \* 9/2018 Seiders ..... D3/294  
D829,440 S \* 10/2018 Chen ..... D3/276

\* cited by examiner

*Primary Examiner* — Holly E Thurman

(74) *Attorney, Agent, or Firm* — J.C. Patents

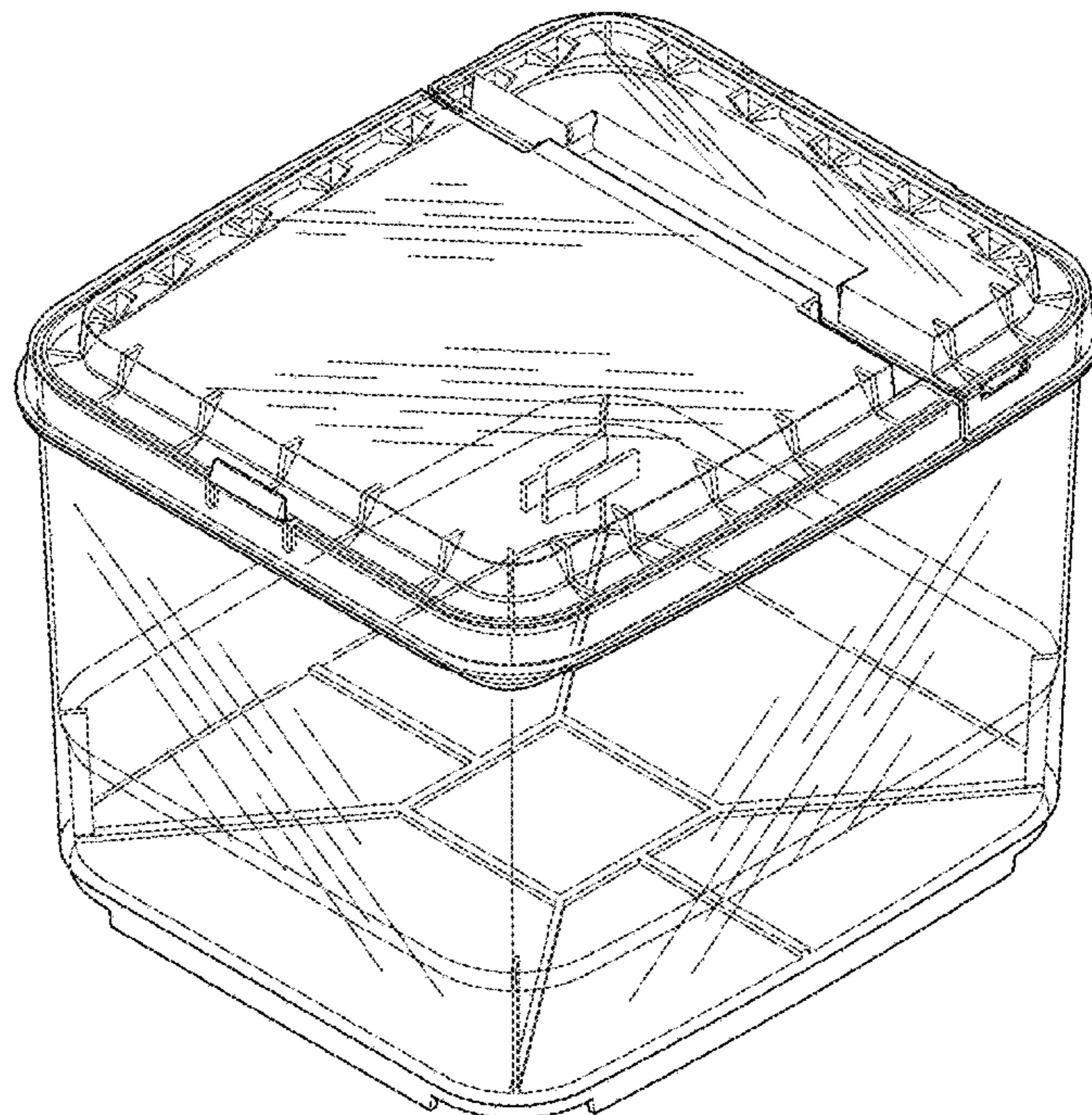
(57) **CLAIM**

The ornamental design for a fastener container, as shown and described.

**DESCRIPTION**

FIG. 1 is perspective view of a fastener container,  
FIG. 2 is front view thereof,  
FIG. 3 is rear view thereof,  
FIG. 4 is left side view thereof,  
FIG. 5 is right side view thereof,  
FIG. 6 is top view thereof; and,  
FIG. 7 is bottom view thereof.

**1 Claim, 5 Drawing Sheets**



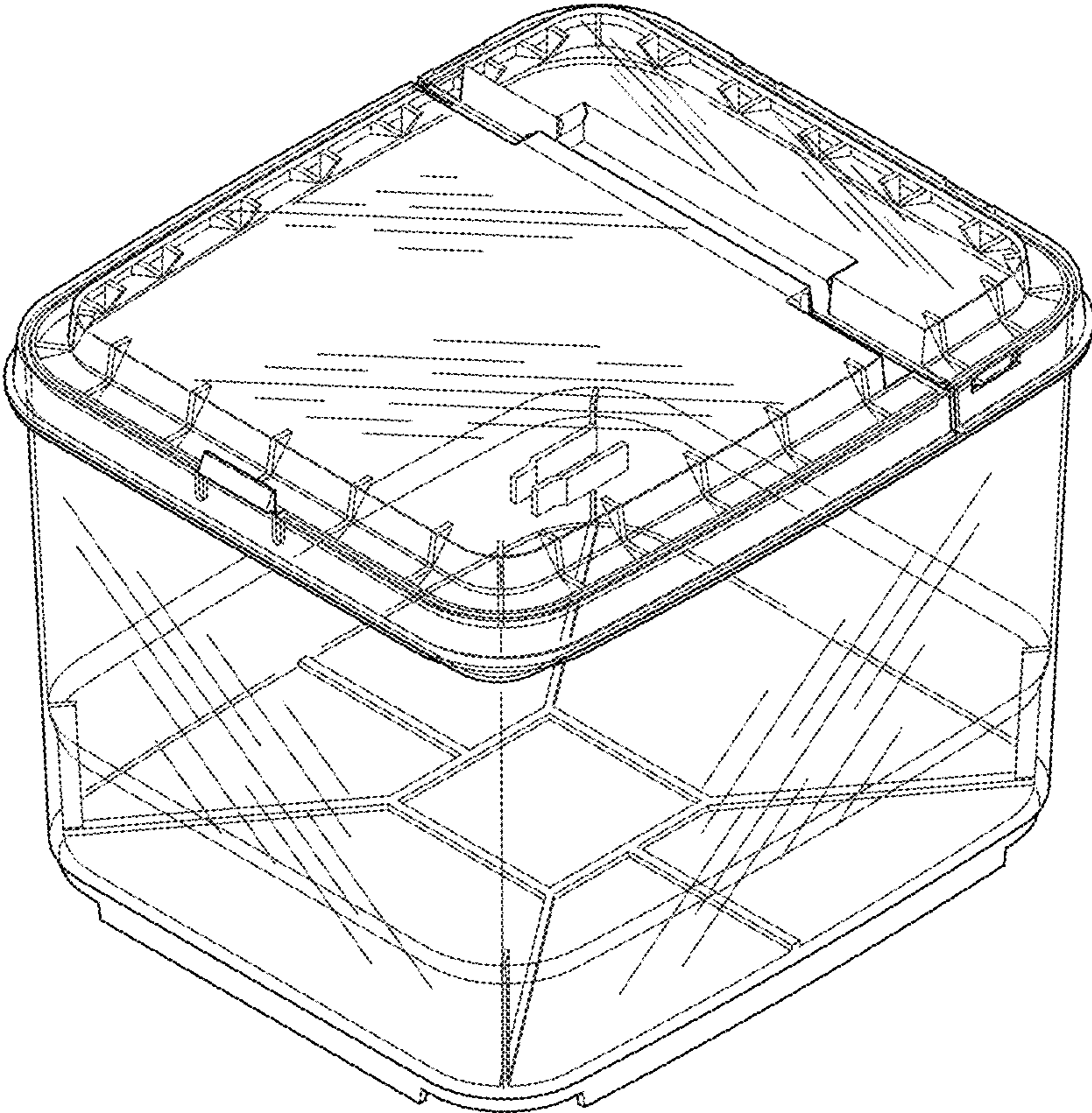


FIG 1

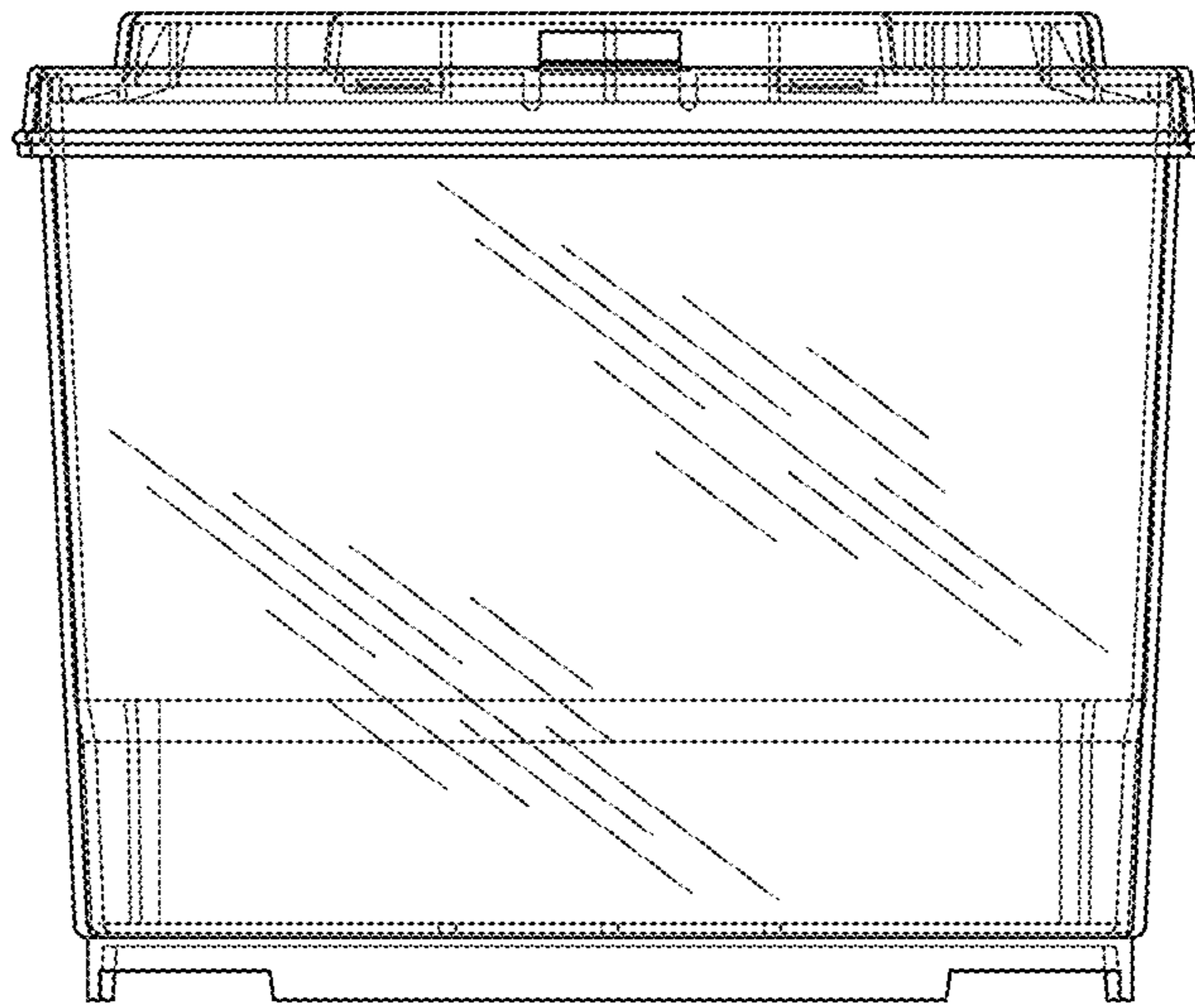


FIG 2

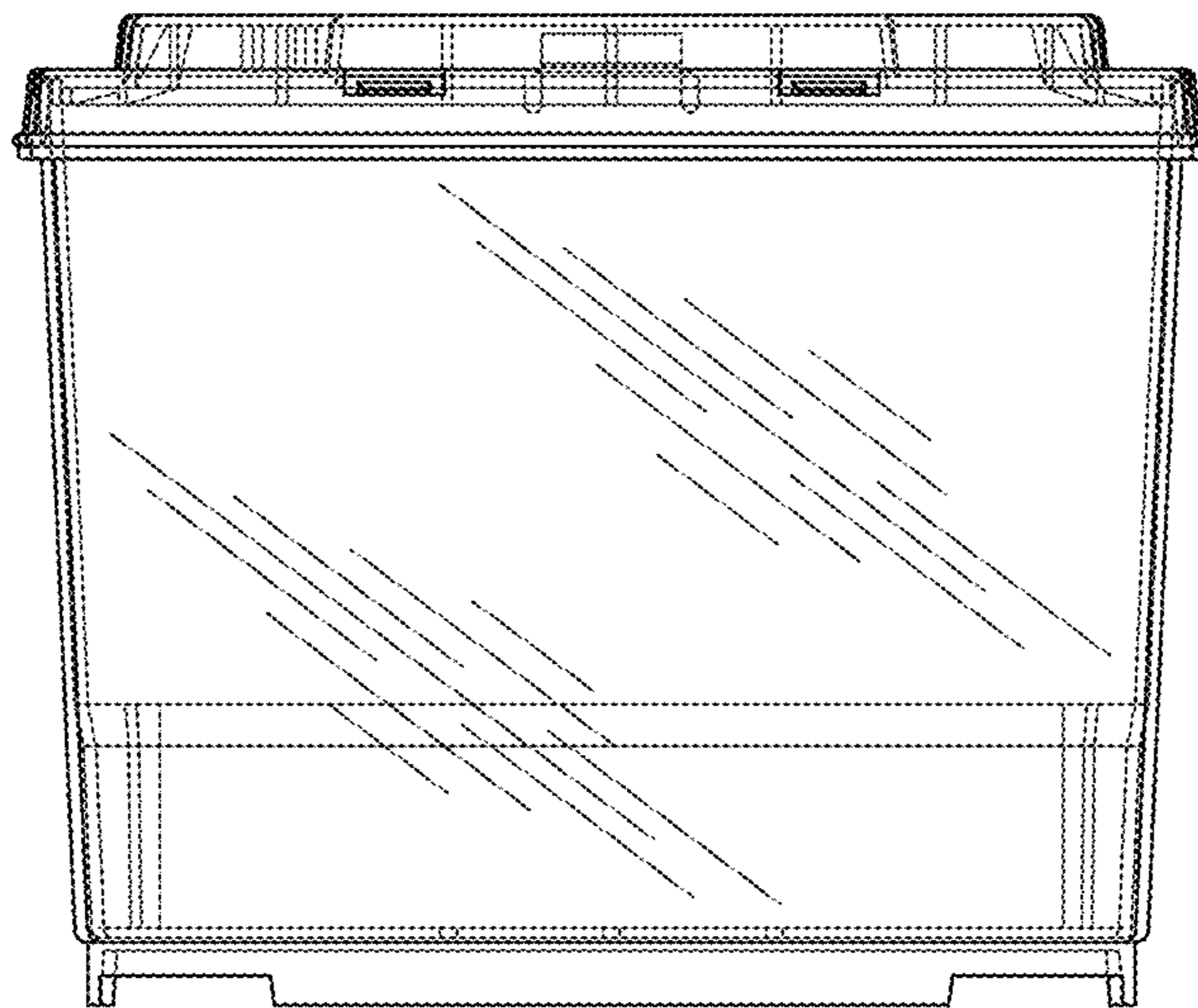


FIG 3

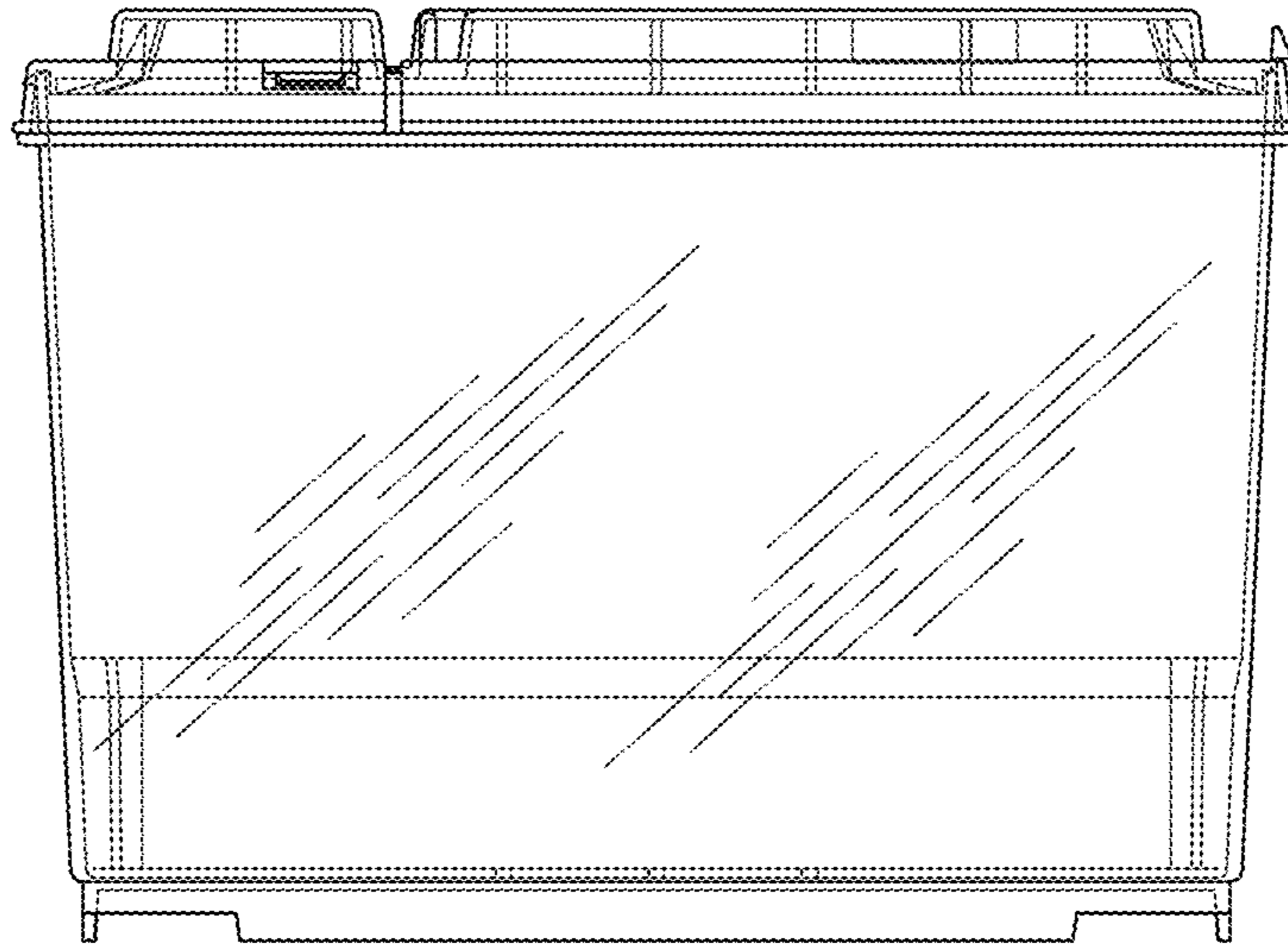


FIG 4

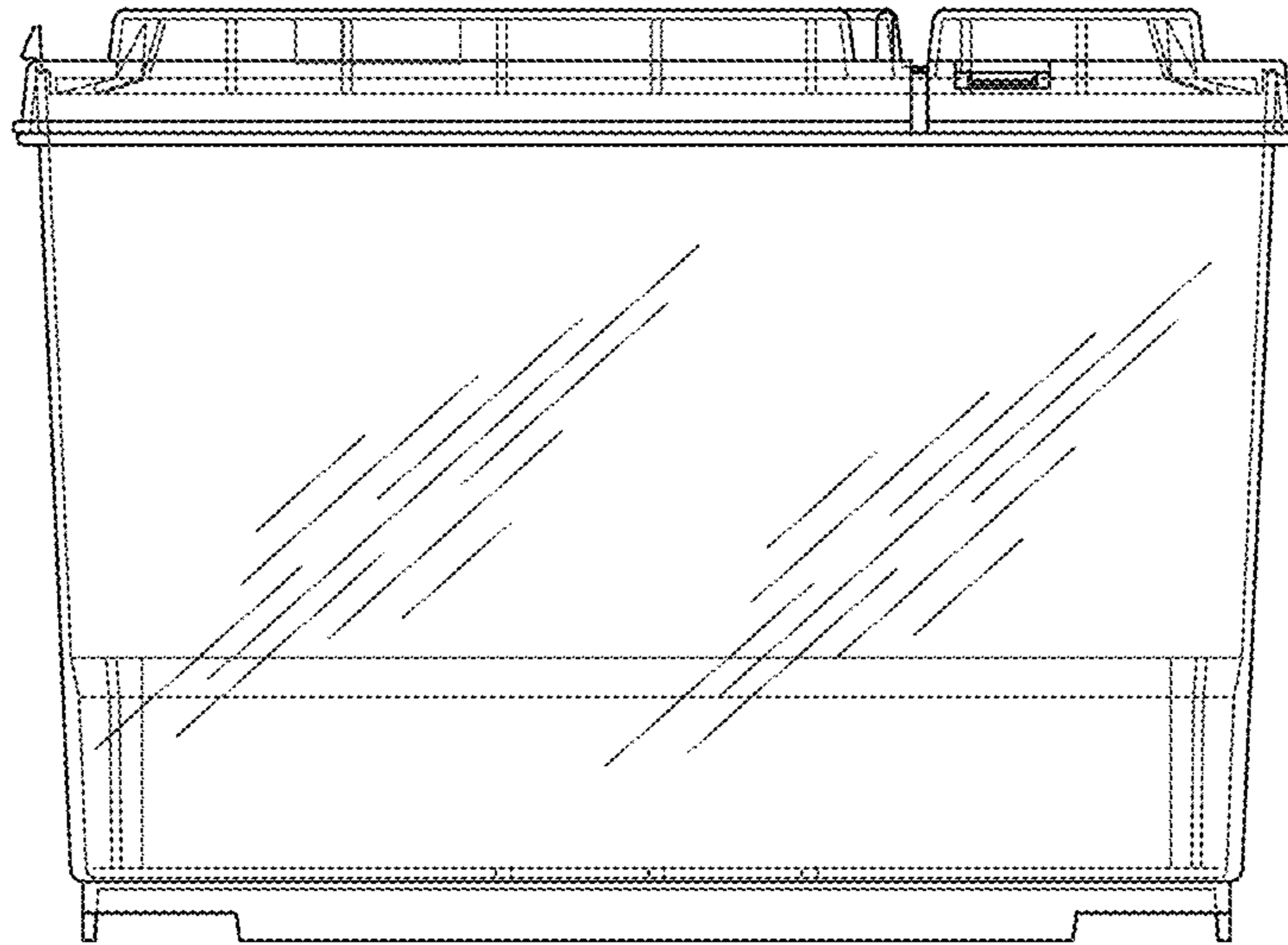


FIG 5

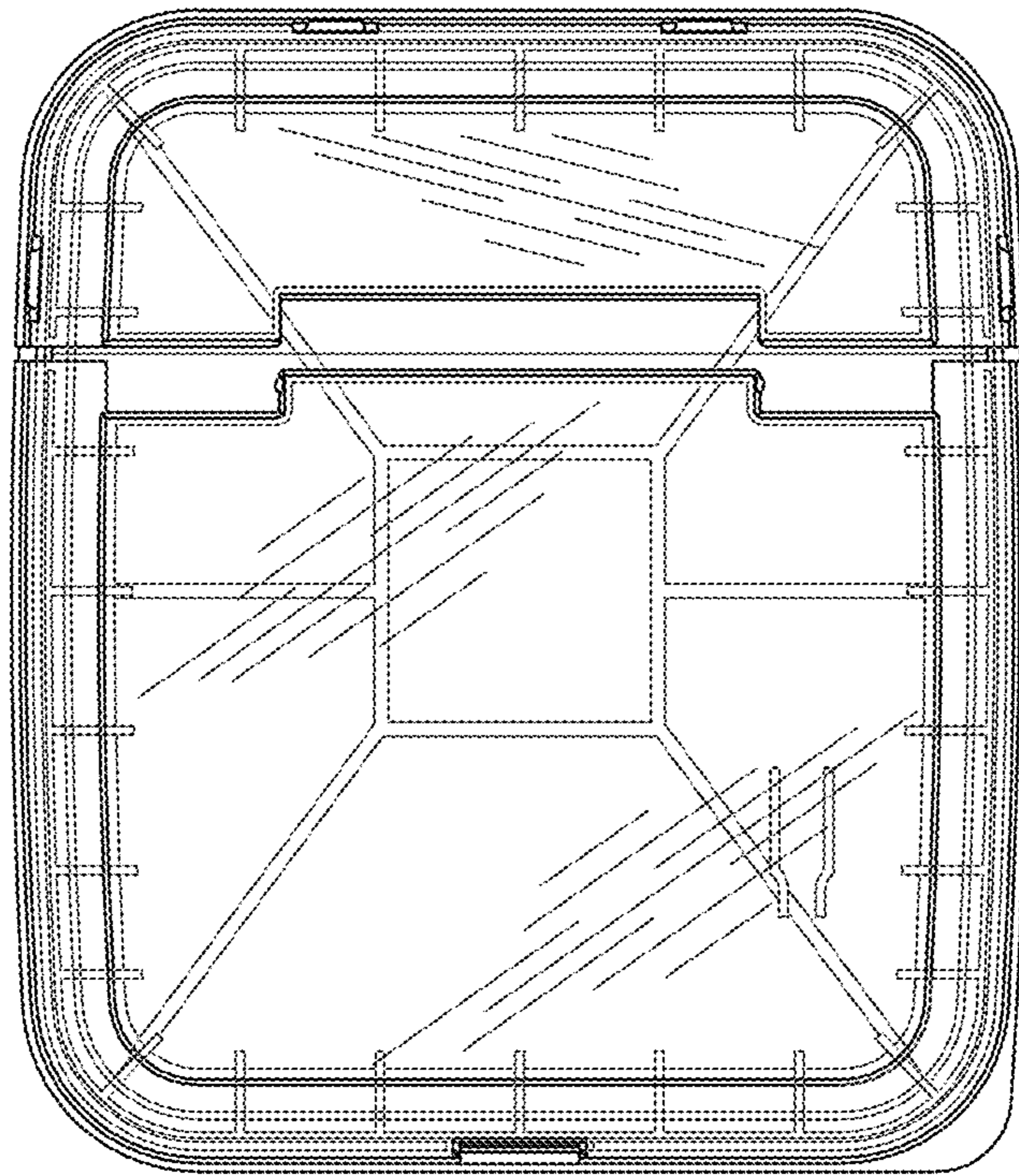


FIG 6

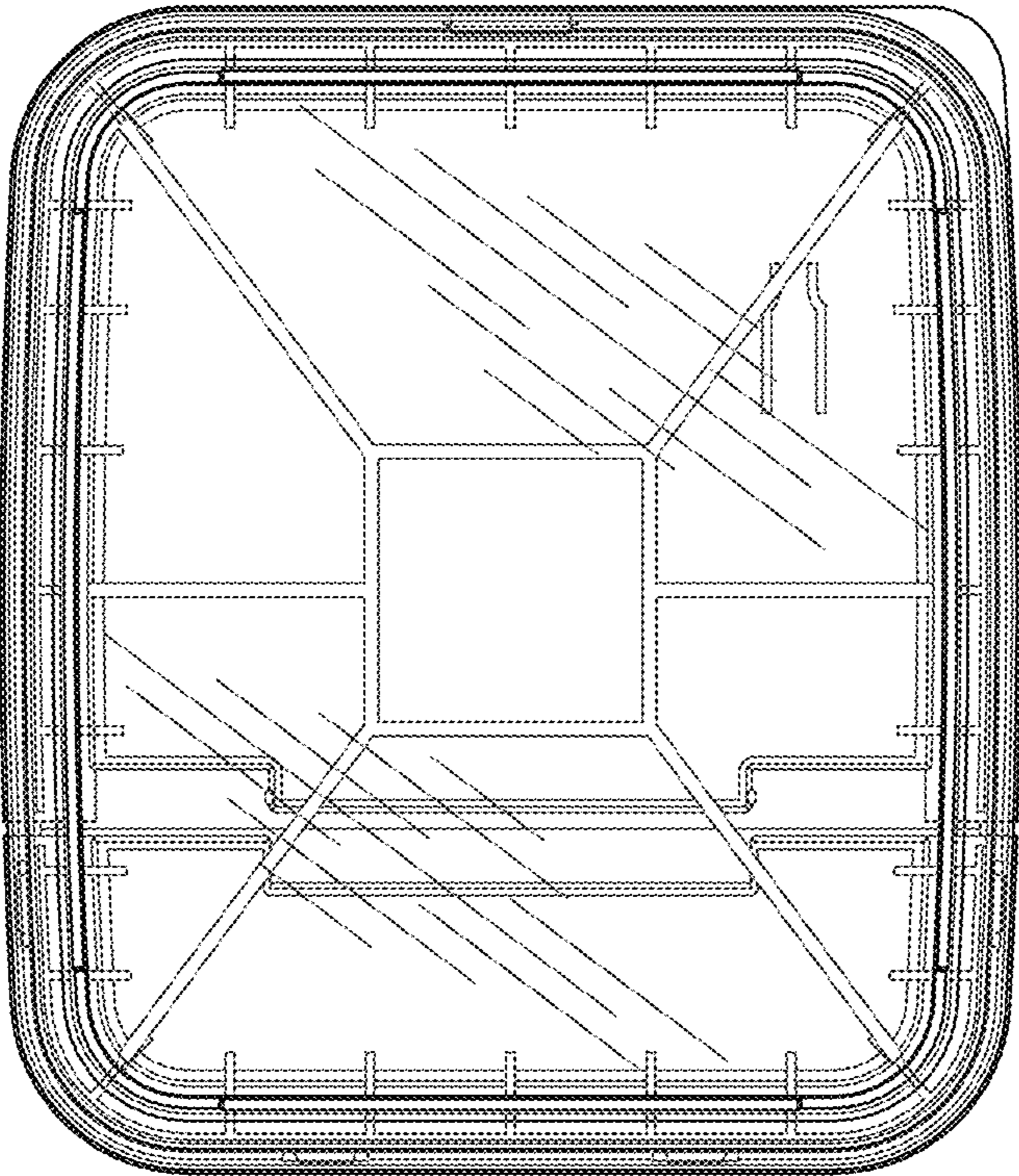


FIG 7