

US00D866964S

(12) **United States Design Patent**
Tran et al.

(10) **Patent No.:** **US D866,964 S**

(45) **Date of Patent:** **** Nov. 19, 2019**

(54) **WALLET**

(71) Applicants: **Thuan Tran**, Santa Clara, CA (US);
Charlie Carroll, Palo Alto, CA (US);
Binh Tran, Santa Clara, CA (US)

(72) Inventors: **Thuan Tran**, Santa Clara, CA (US);
Charlie Carroll, Palo Alto, CA (US);
Binh Tran, Santa Clara, CA (US)

(73) Assignee: **Dango Products, Inc.**, Santa Clara, CA (US)

(**) Term: **15 Years**

(21) Appl. No.: **29/666,728**

(22) Filed: **Oct. 16, 2018**

(51) **LOC (12) Cl.** **03-01**

(52) **U.S. Cl.**
USPC **D3/247**

(58) **Field of Classification Search**
USPC D3/247, 249–253
CPC A45C 1/024; A45C 3/06
See application file for complete search history.

(56) **References Cited**

U.S. PATENT DOCUMENTS

D690,931 S	*	10/2013	Minn	D3/247
D695,013 S	*	12/2013	Minn	D3/247
D768,383 S	*	10/2016	Wu	D3/247
D775,824 S	*	1/2017	King	D3/247
D780,449 S	*	3/2017	King	D3/247
D798,591 S	*	10/2017	King	D3/247

D806,386 S	*	1/2018	King	D3/247
D814,182 S	*	4/2018	Haarburger	D3/247
D814,183 S	*	4/2018	Haarburger	D3/247
D817,316 S	*	5/2018	Srouer	D14/251
10,080,409 B2	*	9/2018	King	A45C 1/06
D831,349 S	*	10/2018	Deng	D3/247
D835,410 S	*	12/2018	Chan	D3/247

OTHER PUBLICATIONS

Wallet Collections [online]. Dango Products, 2017 [retrieved on Sep. 24, 2019]. Retrieved from the Internet: <URL: www.dangoproducts.com/collections/wallets (Year: 2017).*

* cited by examiner

Primary Examiner — Holly H Baynham

(74) *Attorney, Agent, or Firm* — Tran & Associates

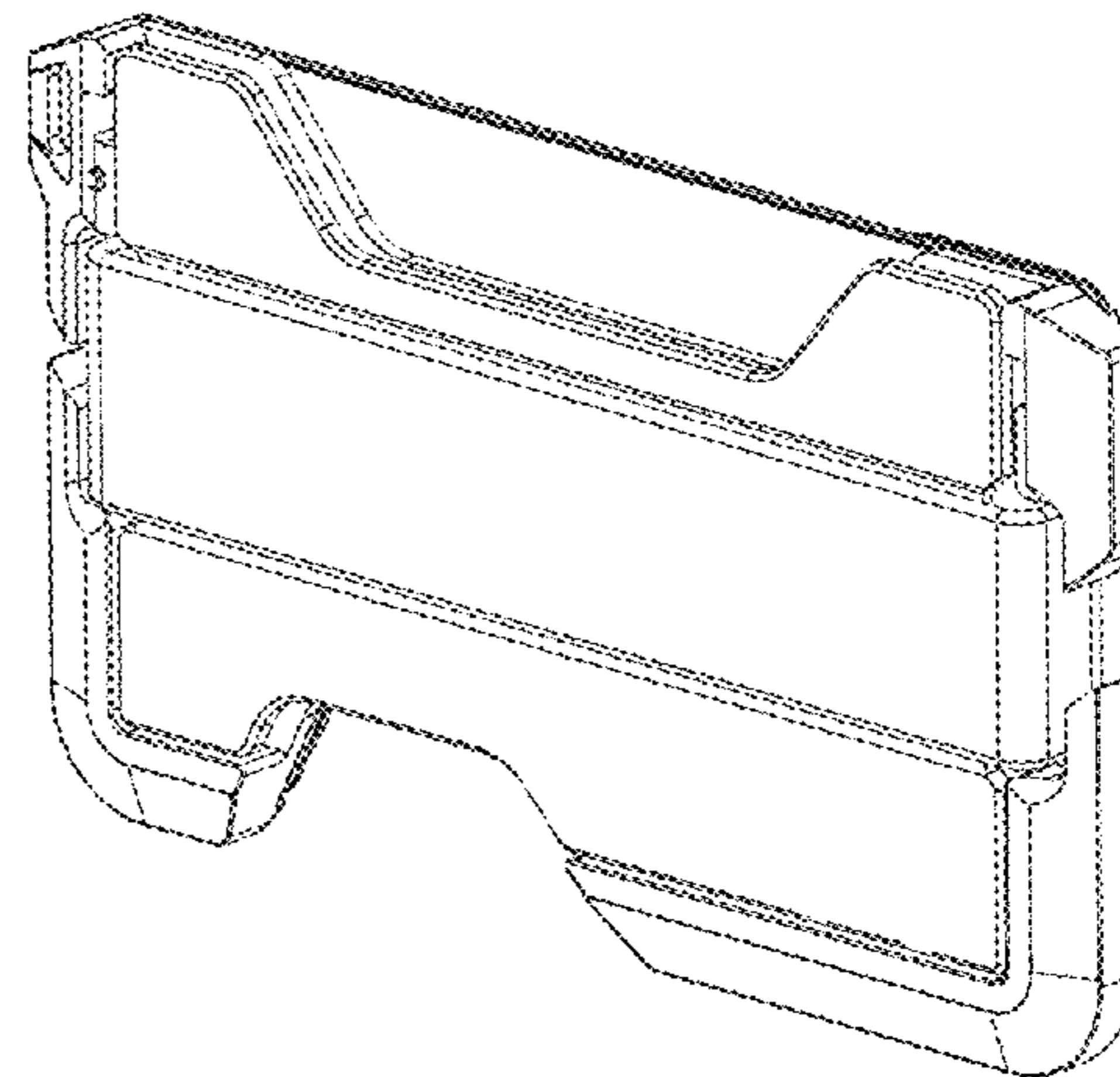
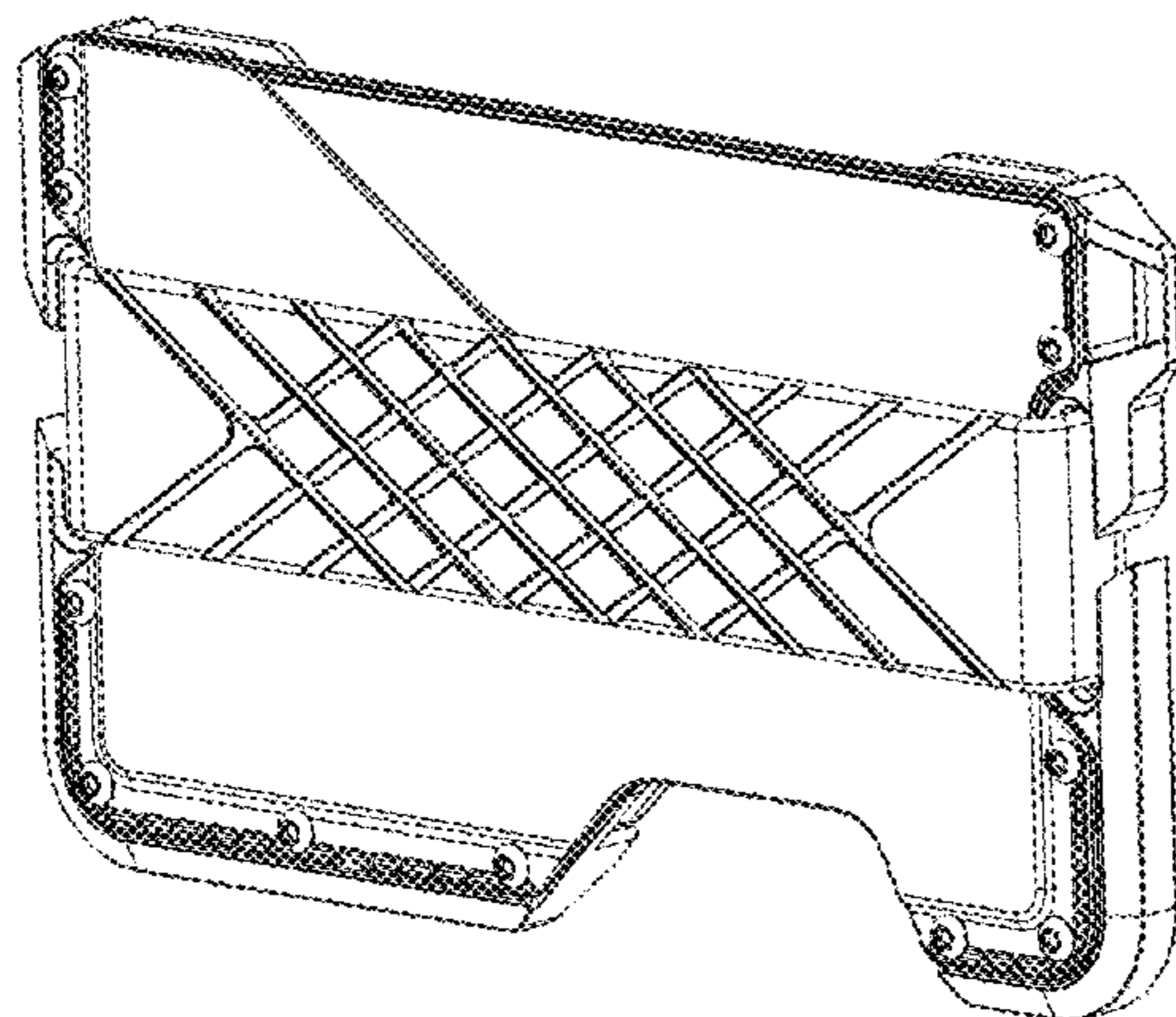
(57) **CLAIM**

The ornamental design for a wallet, as shown and described.

DESCRIPTION

FIG. 1 is a front view of a wallet.
FIG. 2 is a rear view of the wallet.
FIG. 3 is a top view of the wallet.
FIG. 4 is a bottom view of the wallet.
FIG. 5 is a left side view of the wallet.
FIG. 6 is a right side view of the wallet.
FIG. 7 is a perspective front view of the wallet with an elastic band wrapped around the wallet; and,
FIG. 8 is a perspective rear view of the wallet with the elastic band wrapped around the wallet.

1 Claim, 5 Drawing Sheets



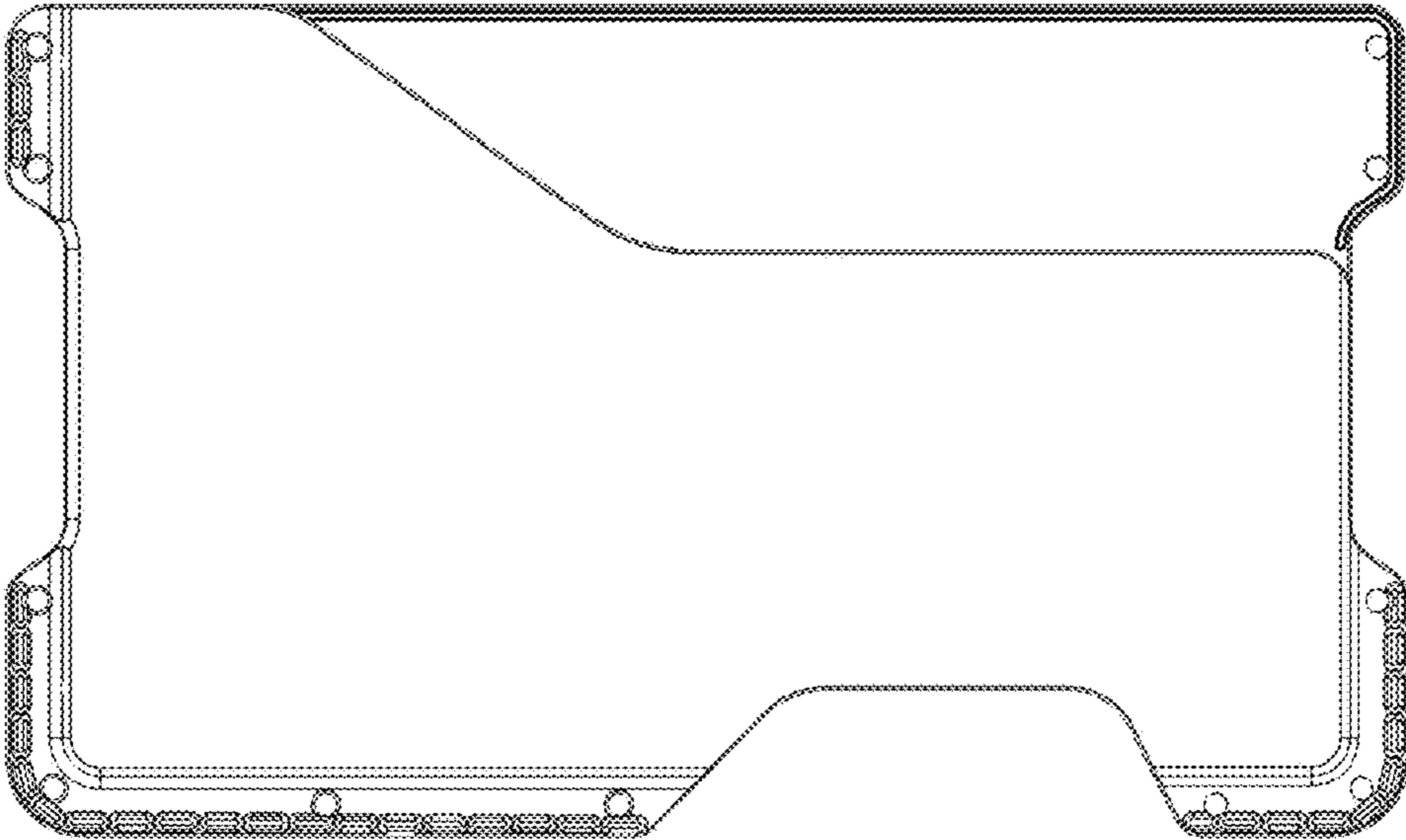


FIG. 1

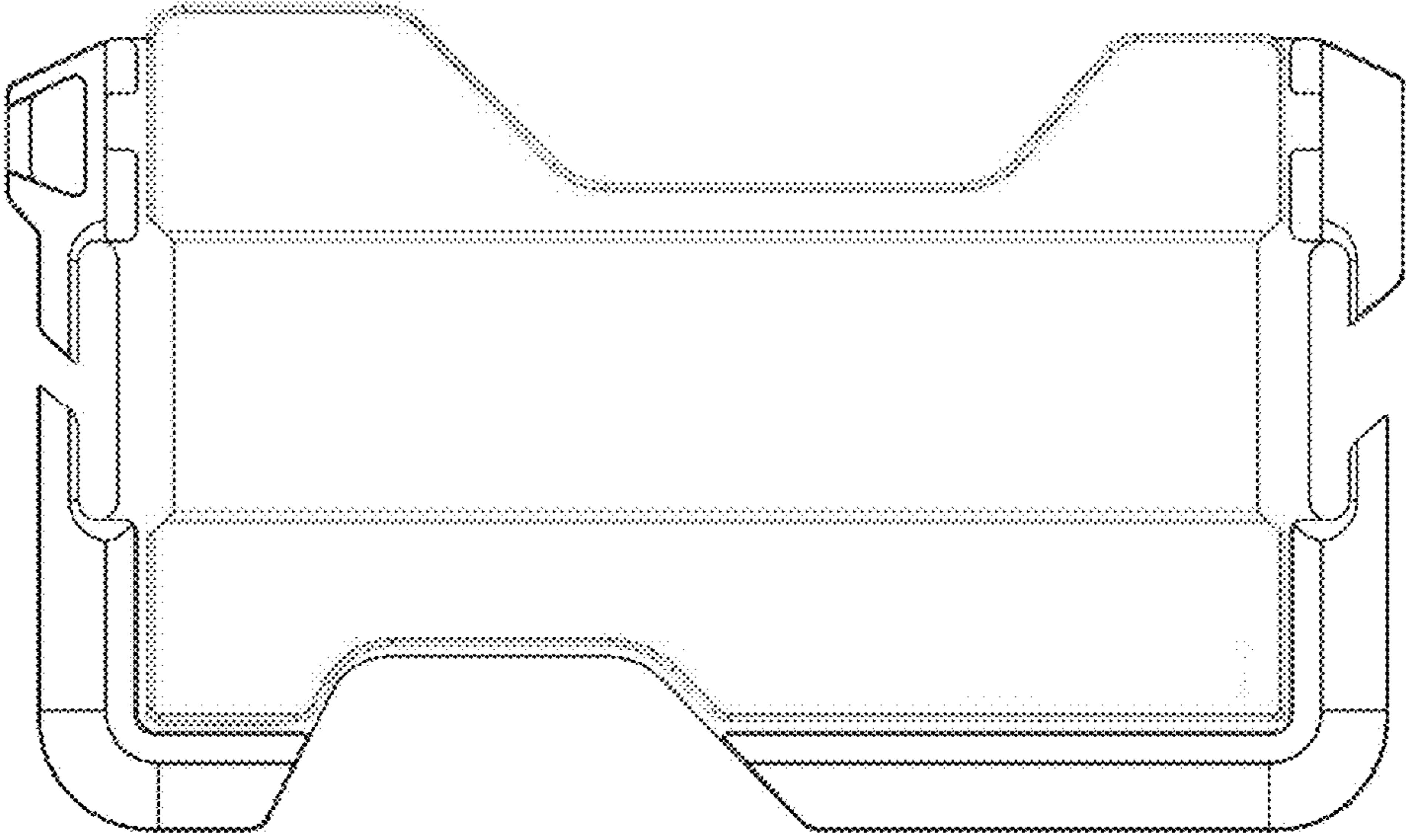


FIG. 2

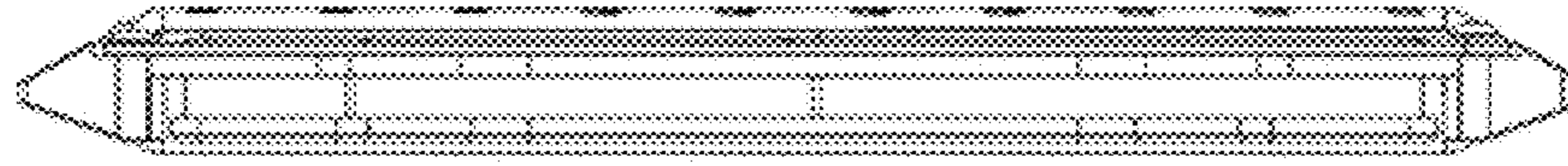


FIG. 3

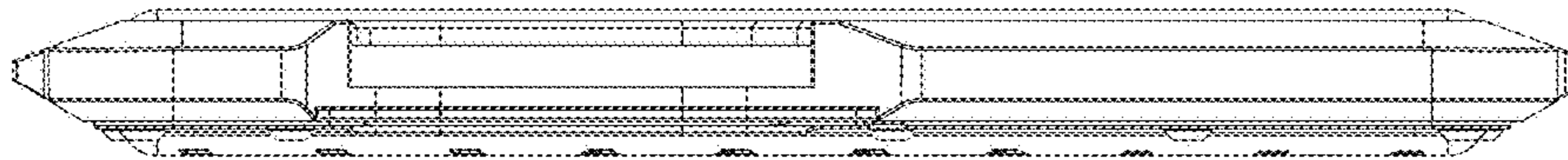


FIG. 4

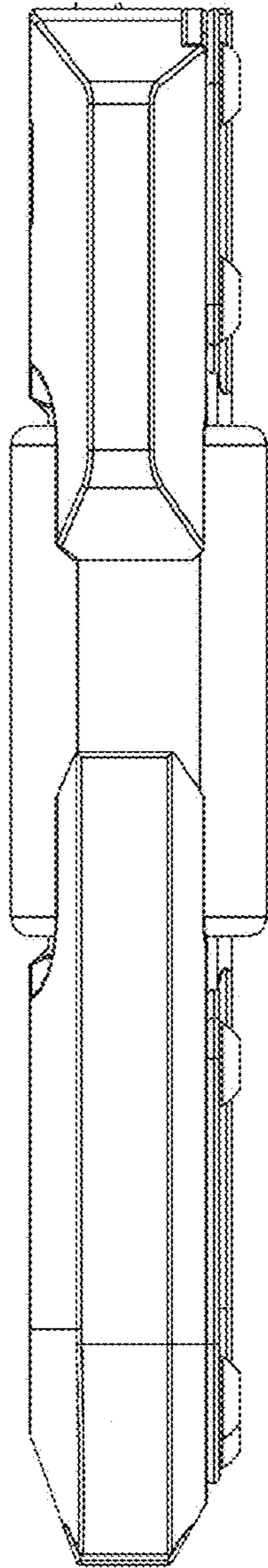


FIG. 5

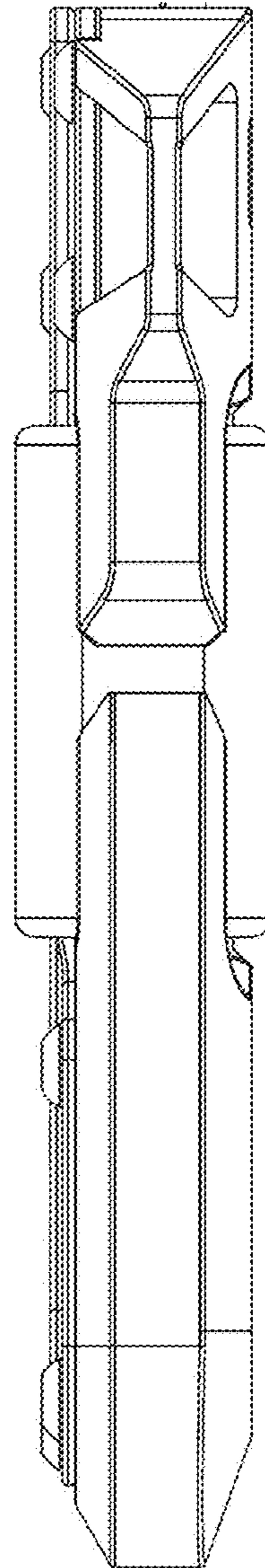


FIG. 6

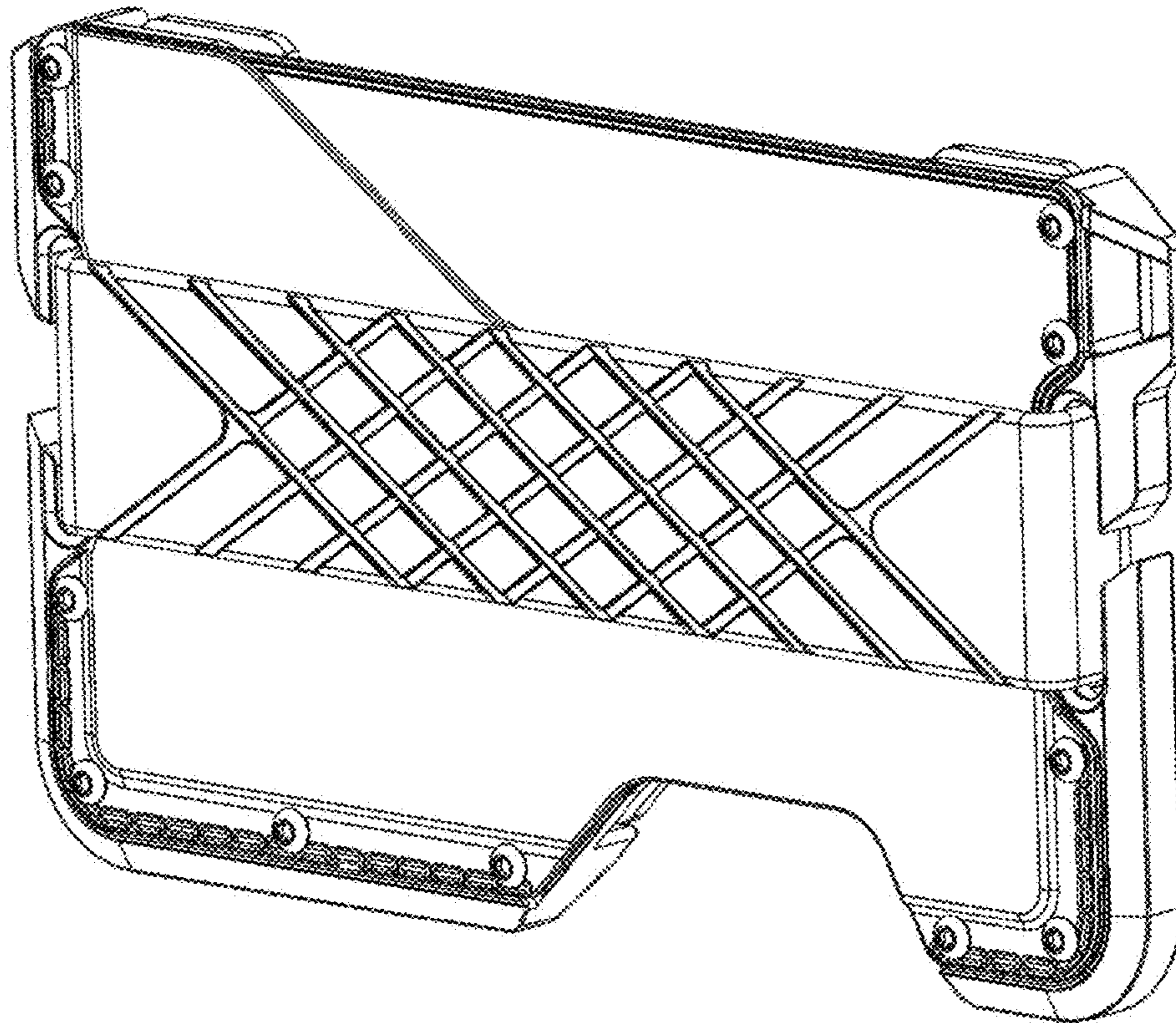


FIG. 7

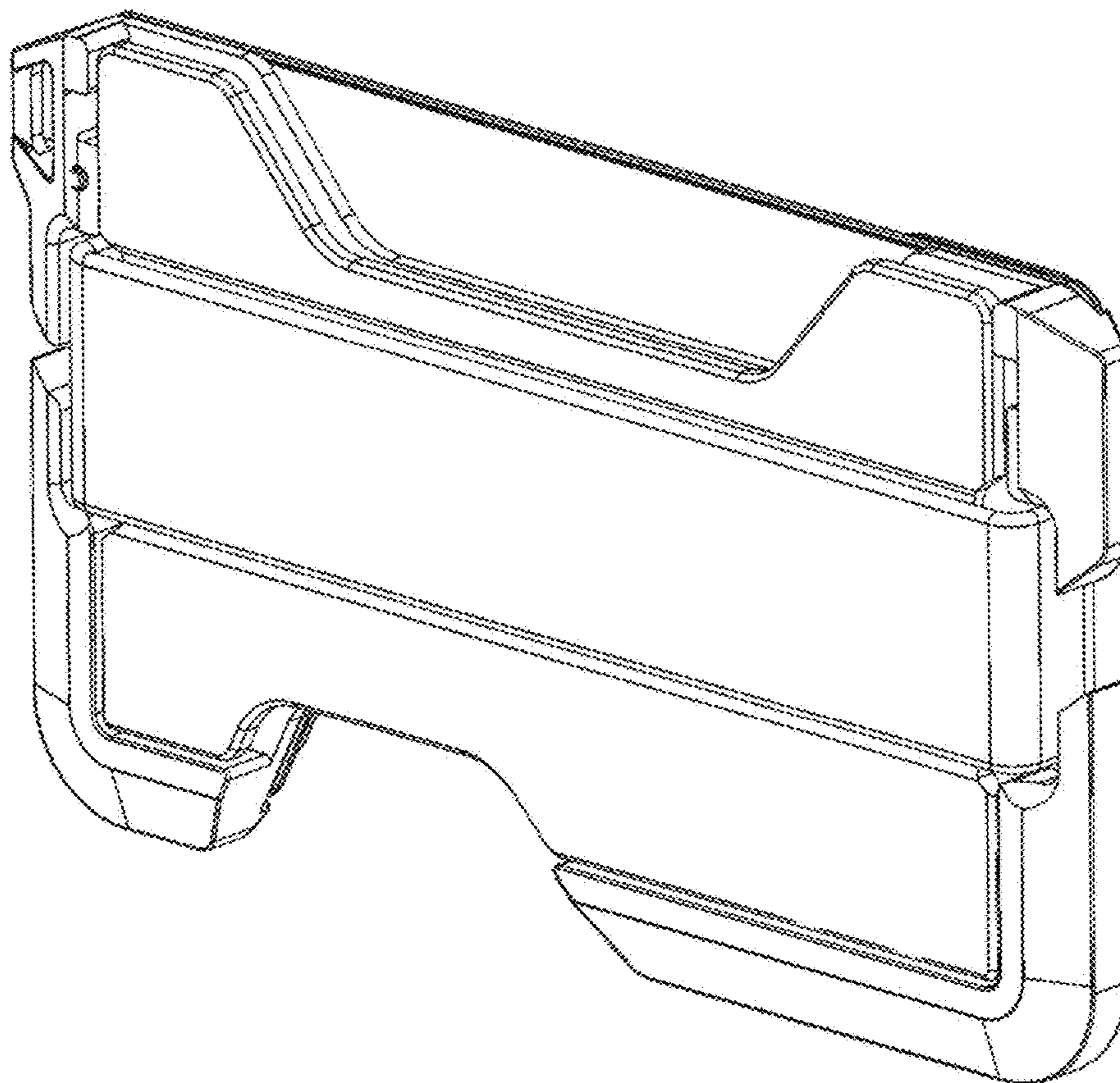


FIG. 8