



US00D866963S

(12) **United States Design Patent** (10) **Patent No.:** **US D866,963 S**
Burko (45) **Date of Patent:** **** Nov. 19, 2019**

(54) **MICRO WALLET**

(71) Applicant: **Elad Burko**, Valley Stream, NY (US)

(72) Inventor: **Elad Burko**, Valley Stream, NY (US)

(**) Term: **15 Years**

(21) Appl. No.: **29/661,509**

(22) Filed: **Aug. 28, 2018**

(51) **LOC (12) Cl.** **03-01**

(52) **U.S. Cl.**
USPC **D3/247**

(58) **Field of Classification Search**
USPC D3/247, 249–253
CPC A45C 1/06; A45C 3/08
See application file for complete search history.

(56) **References Cited**

U.S. PATENT DOCUMENTS

- 4,966,210 A * 10/1990 Folkertsma A45C 1/06
150/138
- D828,025 S * 9/2018 Serman D3/247
- D836,335 S * 12/2018 Serman D3/247
- D836,336 S * 12/2018 Serman D3/247

* cited by examiner

Primary Examiner — Holly H Baynham

(74) *Attorney, Agent, or Firm* — Williams Intellectual Property

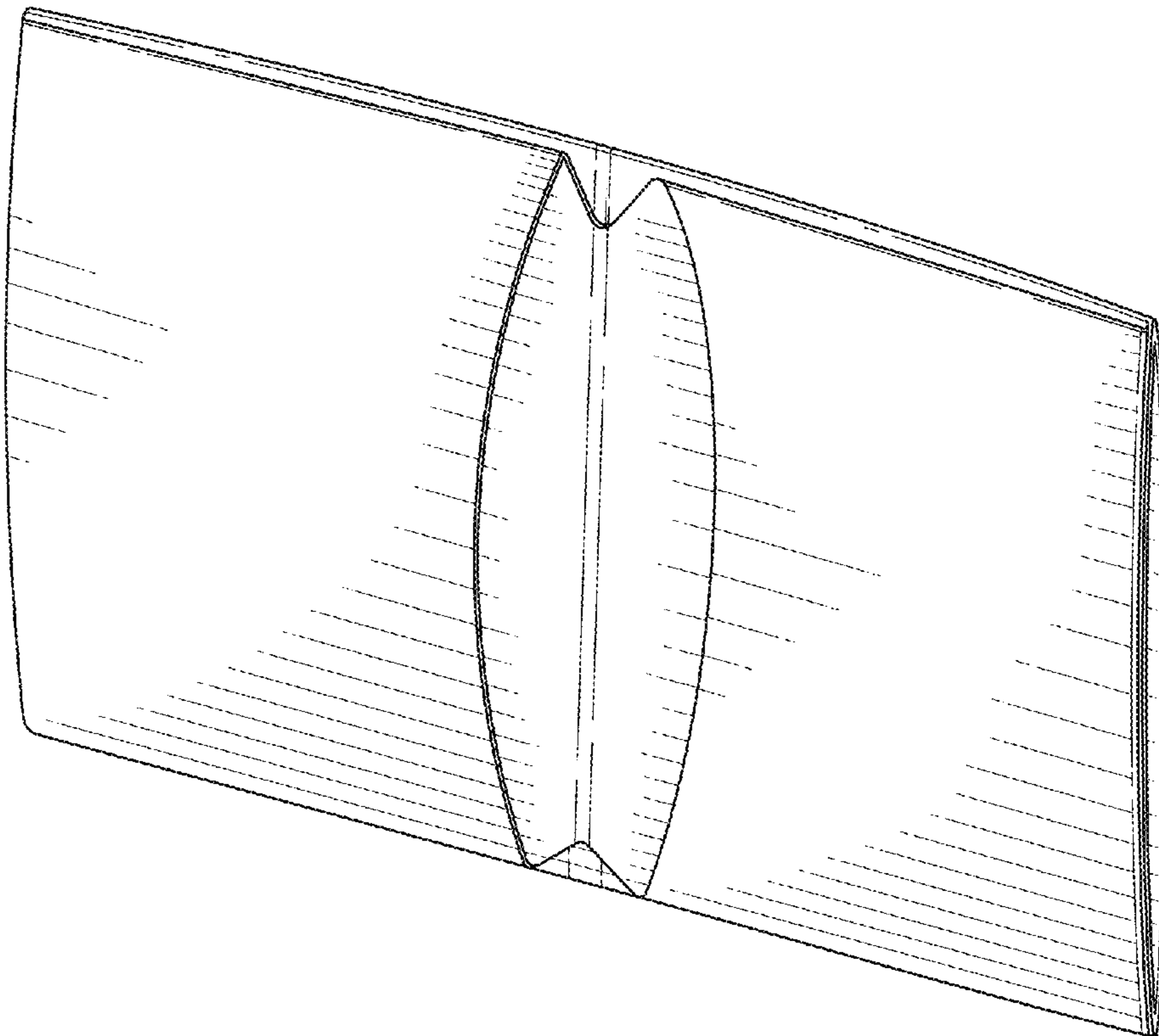
(57) **CLAIM**

The ornamental design for a micro wallet, as shown and described.

DESCRIPTION

FIG. 1 is an isometric view of the micro wallet in an open configuration;
 FIG. 2 is a front elevation view of the micro wallet in an open configuration;
 FIG. 3 is a rear elevation view of the micro wallet in an open configuration;
 FIG. 4 is a right side elevation view of the micro wallet in an open configuration;
 FIG. 5 is a left side elevation view of the micro wallet in an open configuration;
 FIG. 6 is a top elevation view of the micro wallet in an open configuration;
 FIG. 7 is a bottom elevation view of the micro wallet in an open configuration; and,
 FIG. 8 is an isometric view of the micro wallet in a partially closed configuration.

1 Claim, 6 Drawing Sheets



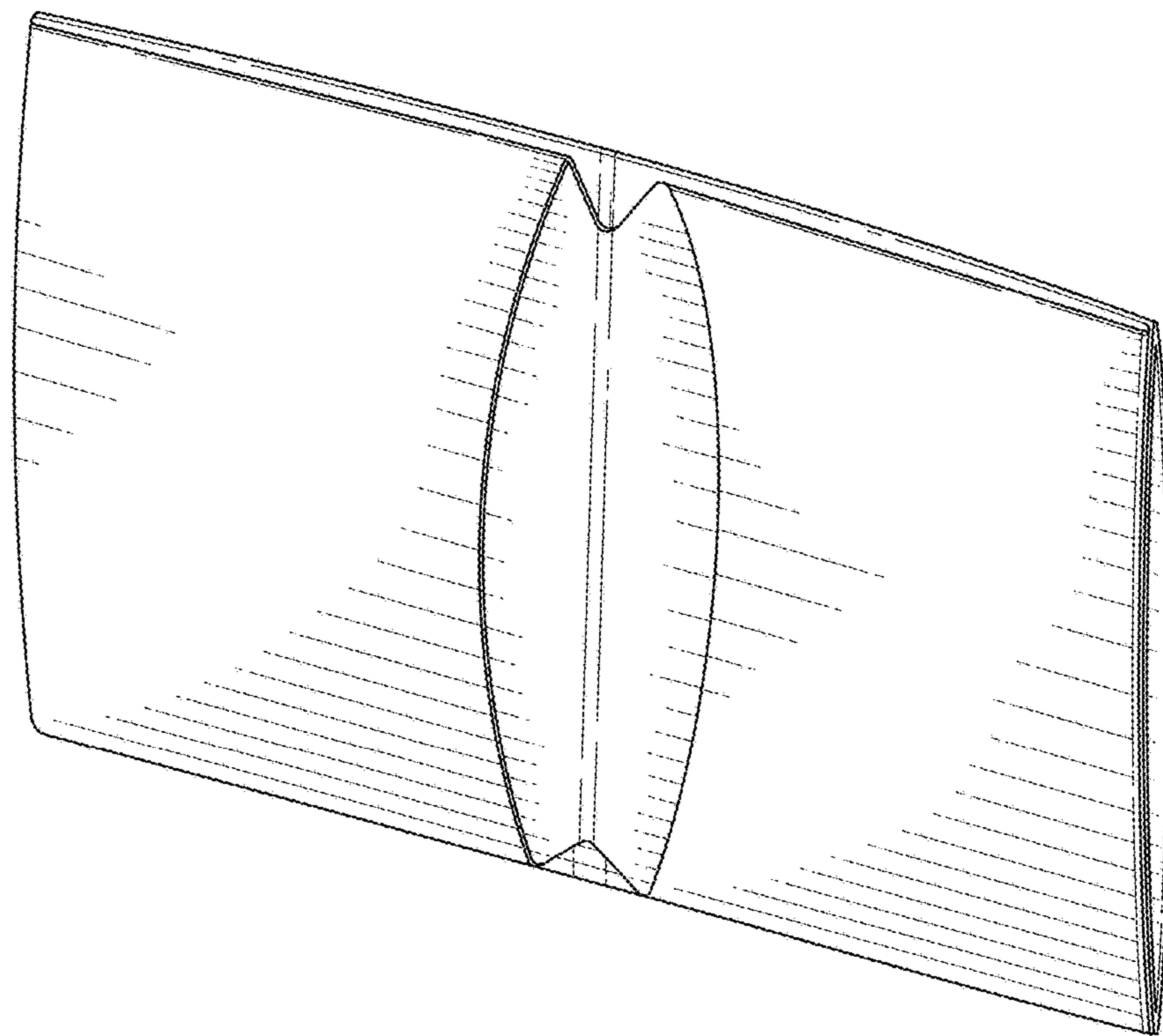


FIG. 1

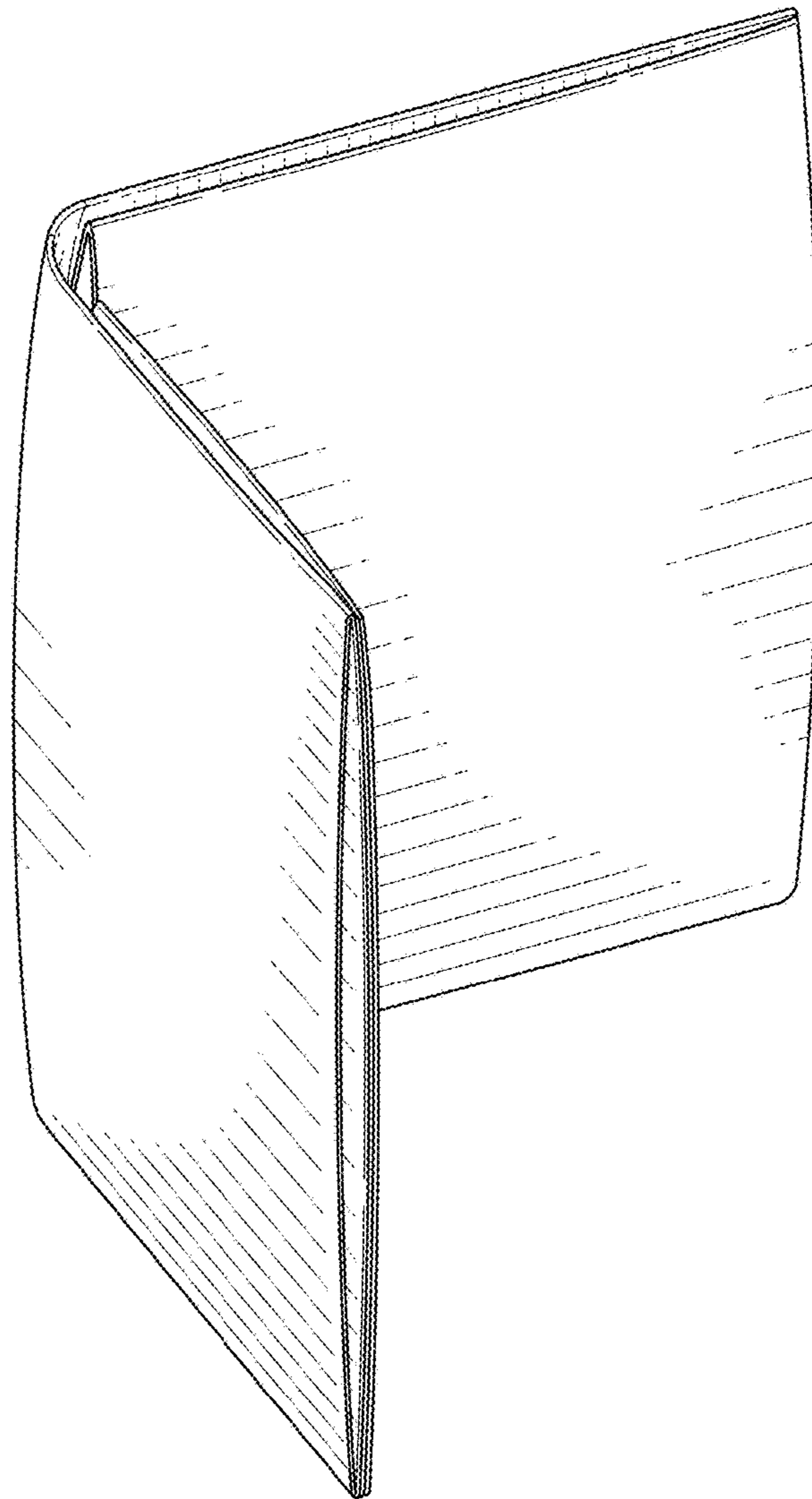


FIG. 2

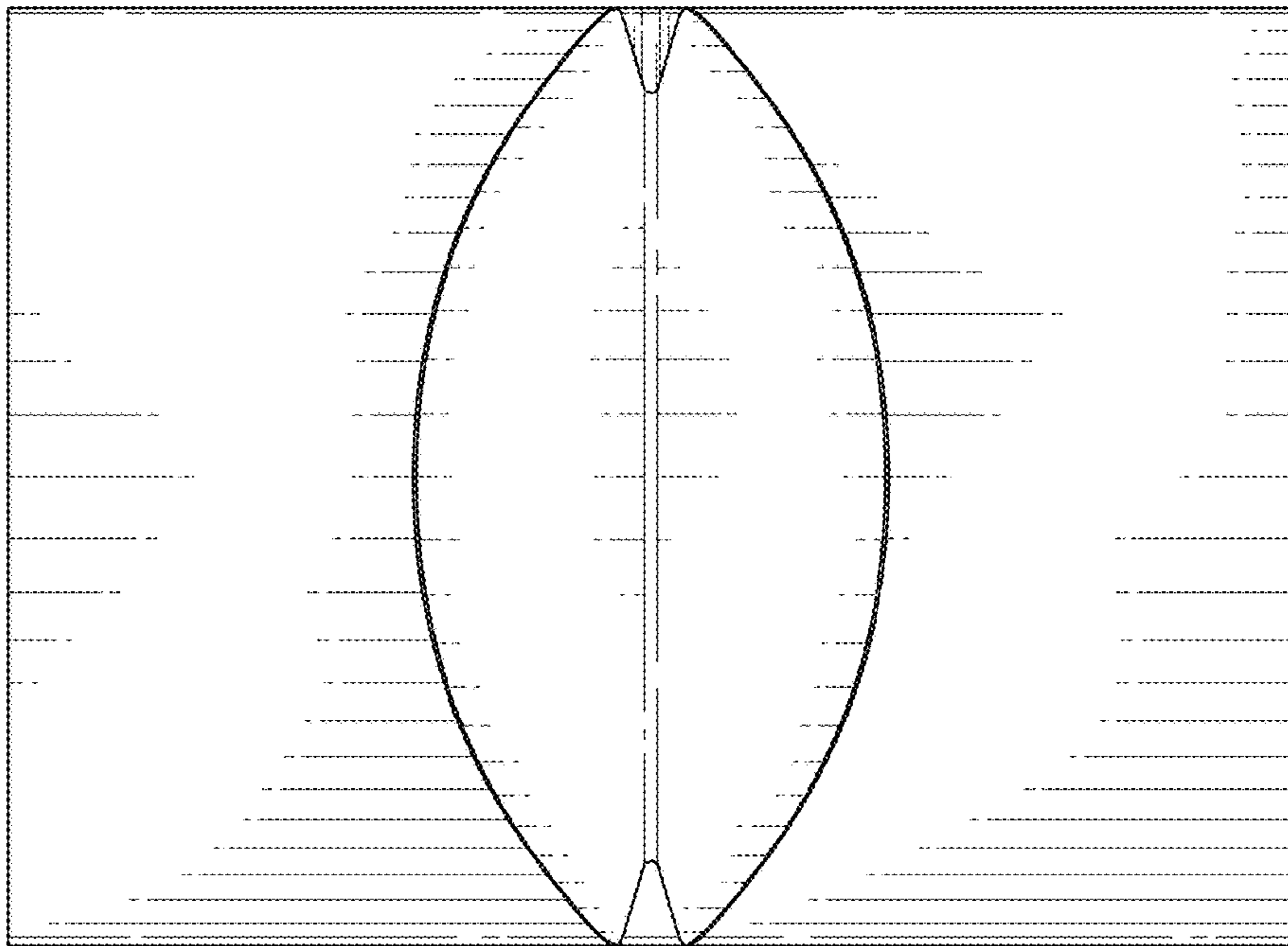


FIG. 3

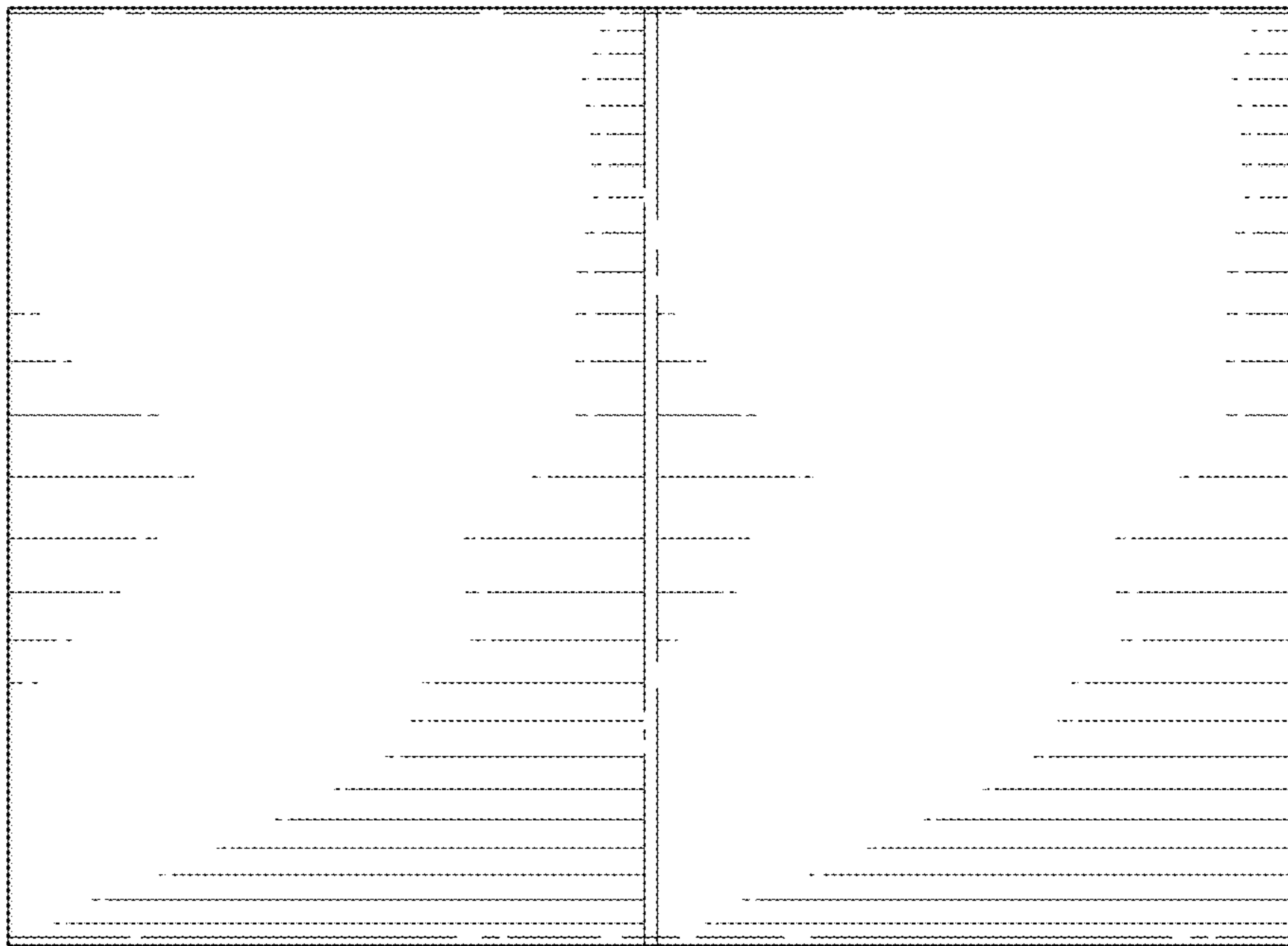


FIG. 4



FIG. 5



FIG. 6

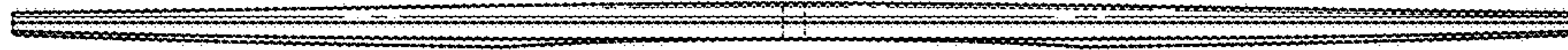


FIG. 7

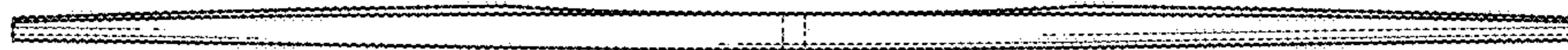


FIG. 8