



US00D866962S

(12) **United States Design Patent** (10) **Patent No.:** **US D866,962 S**
Parsons (45) **Date of Patent:** **** Nov. 19, 2019**

(54) **POCKET CARRIER**

(71) Applicant: **Jamie Parsons**, Bryan, TX (US)

(72) Inventor: **Jamie Parsons**, Bryan, TX (US)

(**) Term: **15 Years**

(21) Appl. No.: **29/640,483**

(22) Filed: **Mar. 14, 2018**

D745,274 S 12/2015 Minn et al.
9,259,065 B2 2/2016 Wingerter et al.
D758,724 S 6/2016 Guest
2014/0083578 A1 3/2014 Moore
2014/0196330 A1 7/2014 Cook et al.
2014/0374488 A1 12/2014 Biro et al.
2015/0059936 A1 3/2015 Singer
2015/0059937 A1 3/2015 Singer
2015/0077229 A1 3/2015 Augustinowicz
2015/0351524 A1 12/2015 Martinez
2016/0022000 A1 1/2016 Tucker-Skow et al.
2016/0045006 A1 2/2016 Moon

Related U.S. Application Data

(62) Division of application No. 29/576,729, filed on Sep. 6, 2016, now Pat. No. Des. 814,184.

(51) **LOC (12) Cl.** **03-01**

(52) **U.S. Cl.**
USPC **D3/247**

(58) **Field of Classification Search**
USPC D3/247, 249–253
CPC A45C 1/06; A45C 3/08
See application file for complete search history.

(56) **References Cited**

U.S. PATENT DOCUMENTS

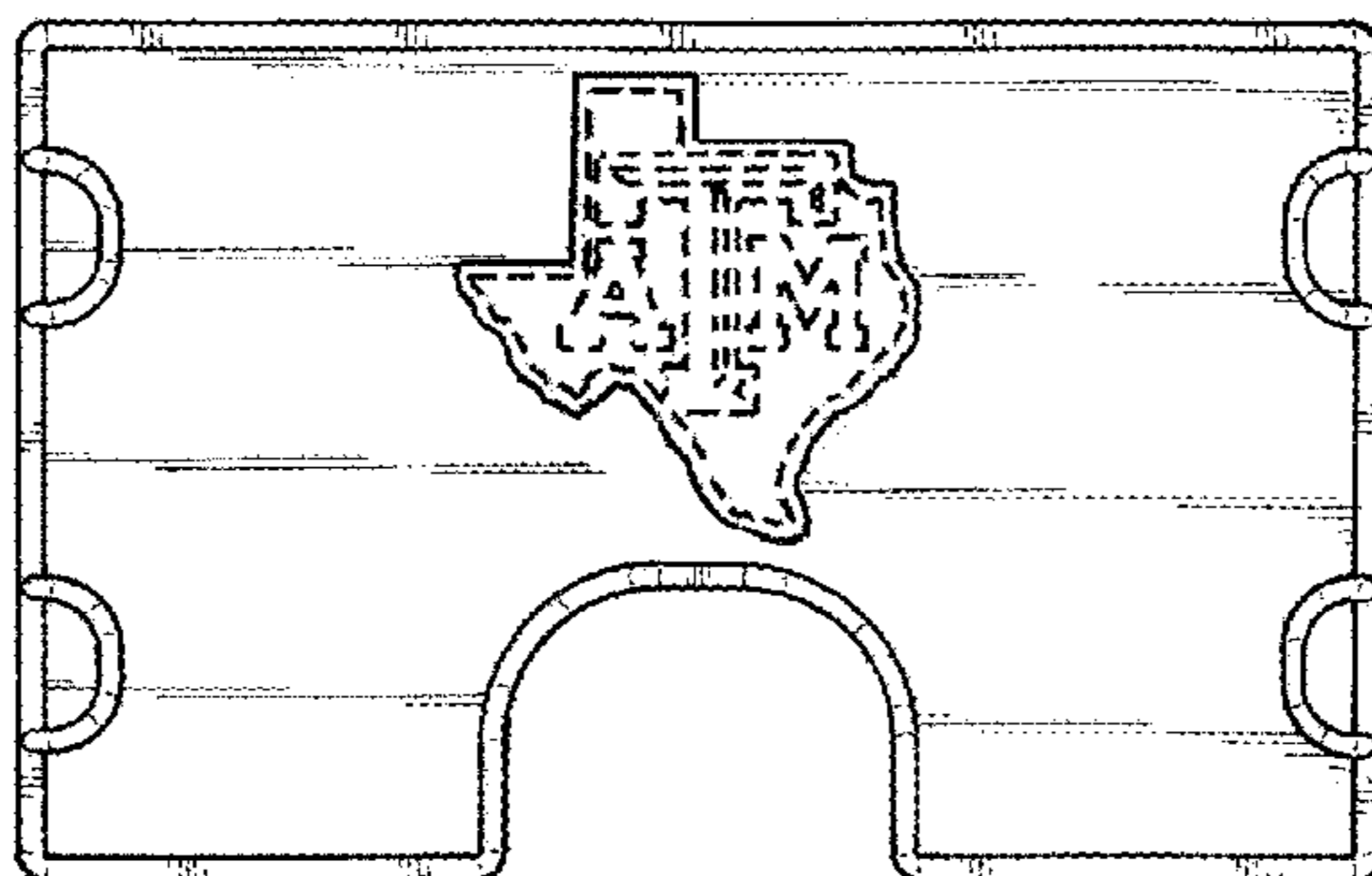
D168,398 S * 12/1952 Gazan, Jr. D3/247
2,686,545 A 8/1954 Fontana
D189,333 S * 11/1960 Hayden D3/247
4,402,398 A 9/1983 Smoczynski
5,103,884 A 4/1992 Roman
5,279,019 A 1/1994 Knickle
D384,499 S 10/1997 Gaestel
5,914,657 A 6/1999 Chen
7,380,655 B1 6/2008 Thune et al.
D635,186 S 3/2011 Skelding et al.
8,418,267 B2 4/2013 Shaw et al.
8,590,584 B2 11/2013 Marmer
8,667,998 B1 3/2014 Westrick
8,726,952 B2 5/2014 Jambunathan et al.
D716,043 S 10/2014 Wilk
D718,932 S * 12/2014 Gross D3/247
D724,841 S * 3/2015 Schneider D3/247
D725,385 S * 3/2015 Ming D3/247
9,125,464 B2 9/2015 Minn et al.
9,165,235 B2 10/2015 Biro et al.
9,173,474 B2 11/2015 Winterburg

FOREIGN PATENT DOCUMENTS

ES 1067033 U 4/2008

OTHER PUBLICATIONS

Band-It Elastic Money Clip. Elastic Money Band Clip + Promotional Gift + Golf Ball Marker Medallion. Band-It Elastic Money Clip [online]. Published by Aug. 30, 2016. Available from: <http://shop.banditclip.com/00000>.
Pinterest Users. Explore Envelope Logo, Kors Envelope, and More. Pinterest [online]. Published Aug. 31, 2016 Available from: <https://www.pinterest.com/pin/511299363915949356/00000>.
Fireti. Fireti. Facebook [online]. Published Aug. 31, 2016. Available from: <https://www.facebook.com/myfireTi/06758>.
Webintellics Inc. Men’s Best Gift, Top Grain Premium Leather, Minimalist Money Clip Card Holder Wallet, RFID Blocker, Bass Medallion Available Darl Brown Leather 225MBASS-A. Ultimium Vitae Wellness Center [online]. Published by Aug. 31, 2016. Available from: <http://www.ultimumvitae.com/Details/B00SX46PE0/Mens-Best-Gift-Top-Grain-Premium-Leather-Minimalist-Money-Clip-Card-Holder-Wallet-RFID-Blocker-Bass00000>.
Metahl. Metahl. Author [online]. Published by Sep. 13, 2016. Available from: <http://metahlman.com/>.
ALL4U, LLC. Military Divot Repair Tools and Ball Markers. MilitaryBest.com [online]. Published by Aug. 30, 2016. Available from: <http://militarybest.com/us-military-branch-of-service-divot-repair-tools-and-ball-markers.html00000>.
Promo Industrial Co., Limited. Money clip—China Wholesale Money clip (p. 5). Promo China Wholesale [online]. Published by Aug. 31, 2016. Available from: https://www.promotionalpromo.com/wholesale/Money-clip/index_5.htm00000.
Venters, Gregory. Omega—Compact Solid Titanium Wallet by Gregory Venters. Kickstarter [online]. Published by Aug. 31, 2016. Available from: <https://www.kickstarter.com/projects/331414694/omega-compact-solid-titanium-wallet/description00000>.



Royyap. Orion One Mechanical Minimalist Wallet—Best Slim Wallet. BestSlimWallet.com [online]. Published Aug. 24, 2015. Available from: <http://www.bestslimwallet.com/orion-one-mechanical-minimalist-wallet/00000>.

Etsy Members. Popular items for roper wallet on Etsy. Etsy [online]. Published Aug. 31, 2016. Available from: https://www.etsy.com/market/roper_wallet00000.

East Bright Phearl Co Ltd. Promotional Gifts for Golf—Golf Theme Promotional Gifts Ideas—Golf Gifts—p. 41. WellPromo.com [online]. Published by Aug. 30, 2016. Available from: http://www.wellpromo.com/Themes/Golf_41.htm00000.

Ippinka. Slim Minimalist Wallet. Ippinka [online]. Published by Aug. 31, 2016. Available from: <http://www.ippinka.com/shop/slim-minimalist-wallet/00000>.

The Ridge Wallet LLC. The Ridge Wallet. Author [online]. Published by Sep. 13, 2016. Available from: <https://www.ridgewallet.com/>.

Maly, Tim. Thin Is in: Minimalist Wallets Go Gangbusters on Kickstarter. Wired [online]. Published Mar. 29, 2013. Available from: <https://www.wired.com/2013/03/kickstarters-wallet-economy/00000>.

Cummings, Tucker. Top 10 Best Cool Mens Wallets. Heavy [online]. Published Sep. 25, 2015. Available from: <http://heavy.com/social/2015/09/top-best-cool-mens-wallets/00000>.

* cited by examiner

Primary Examiner — Holly H Baynham

(74) *Attorney, Agent, or Firm* — Bold Ventures Patents;
Timothy D. Snowden

(57) **CLAIM**

The ornamental design for a pocket carrier, as shown and described.

DESCRIPTION

FIG. 1 is an elevation view of the front of a first embodiment of a pocket carrier, the back being identical to the front except for the alteration or absence of the Texas feature in some variant embodiments;

FIG. 2 is a plan view of the top thereof;

FIG. 3 is a plan view of the bottom thereof;

FIG. 4 is an elevation view of the left side thereof;

FIG. 5 is an elevation view of the right side thereof;

FIG. 6 is a perspective view thereof;

FIG. 7 is an elevation view of the front of a second embodiment of the design shown in FIG. 1, the back being identical to the front except for the alteration or absence of the Texas feature in some variant embodiments, the left and right sides being identical to those of the first embodiment, the top being identical to the bottom of the first embodiment, and the bottom being identical to the top of the first embodiment;

FIG. 8 is a perspective view thereof;

FIG. 9 is an elevation view of the front of a third embodiment of the design shown in FIG. 1, the back being identical to the front except for the alteration or absence of the Texas feature in some embodiments, and the left and right sides, top, and bottom being identical to those of the first embodiment;

FIG. 10 is a perspective view thereof;

FIG. 11 is an elevation view of the front of a fourth embodiment of the design shown in FIG. 1, the back being identical to the front except for the alteration or absence of the Texas feature in some variant embodiments, the left and right sides being identical to those of the first embodiment,

the top being identical to the bottom of the first embodiment, and the bottom being identical to the top of the first embodiment;

FIG. 12 is a perspective view thereof;

FIG. 13 is an elevation view of the front of a fifth embodiment of the design shown in FIG. 1, the back being identical to the front except for the alteration or absence of the Texas feature in some variant embodiments, and the left and right sides, top, and bottom being identical to those of the first embodiment;

FIG. 14 is a perspective view thereof;

FIG. 15 is an elevation view of the front of a sixth embodiment of the design shown in FIG. 1, the back being identical to the front except for the alteration or absence of the Texas feature in some variant embodiments, the left and right sides being identical to those of the first embodiment, the top being identical to the bottom of the first embodiment, and the bottom being identical to the top of the first embodiment;

FIG. 16 is a perspective view thereof;

FIG. 17 is an elevation view of the front of a seventh embodiment of the design shown in FIG. 1, the back being identical to the front except for the alteration or absence of the helmet feature in some variant embodiments, and the left and right sides, top, and bottom being identical to those of the first embodiment;

FIG. 18 is a perspective view thereof;

FIG. 19 is an elevation view of the front of an eighth embodiment of the design shown in FIG. 1, the back being identical to the front except for the alteration or absence of the helmet feature in some variant embodiments, the left and right sides being identical to those of the first embodiment, the top being identical to the bottom of the first embodiment, and the bottom being identical to the top of the first embodiment;

FIG. 20 is a perspective view thereof;

FIG. 21 is an elevation view of the front of a ninth embodiment of the design shown in FIG. 1, the back being identical to the front except for the alteration or absence of the helmet feature in some variant embodiments, and the left and right sides, top, and bottom being identical to those of the first embodiment;

FIG. 22 is a perspective view thereof;

FIG. 23 is an elevation view of the front of a tenth embodiment of the design shown in FIG. 1, the back being identical to the front except for the alteration or absence of the helmet feature in some variant embodiments, the left and right sides being identical to those of the first embodiment, the top being identical to the bottom of the first embodiment, and the bottom being identical to the top of the first embodiment;

FIG. 24 is a perspective view thereof;

FIG. 25 is an elevation view of the front of an eleventh embodiment of the design shown in FIG. 1, the back being identical to the front except for the alteration or absence of the helmet feature in some variant embodiments, and the left and right sides, top, and bottom being identical to those of the first embodiment;

FIG. 26 is a perspective view thereof;

FIG. 27 is an elevation view of the front of a twelfth embodiment of the design shown in FIG. 1, the back being identical to the front except for the alteration or absence of the helmet feature in some variant embodiments, the left and right sides being identical to those of the first embodiment, the top being identical to the bottom of the first embodiment,

and the bottom being identical to the top of the first embodiment; and,

FIG. 28 is a perspective view thereof.

The broken lines showing cards are for the purposes of illustrating environment and form no part of the claimed design.

1 Claim, 14 Drawing Sheets

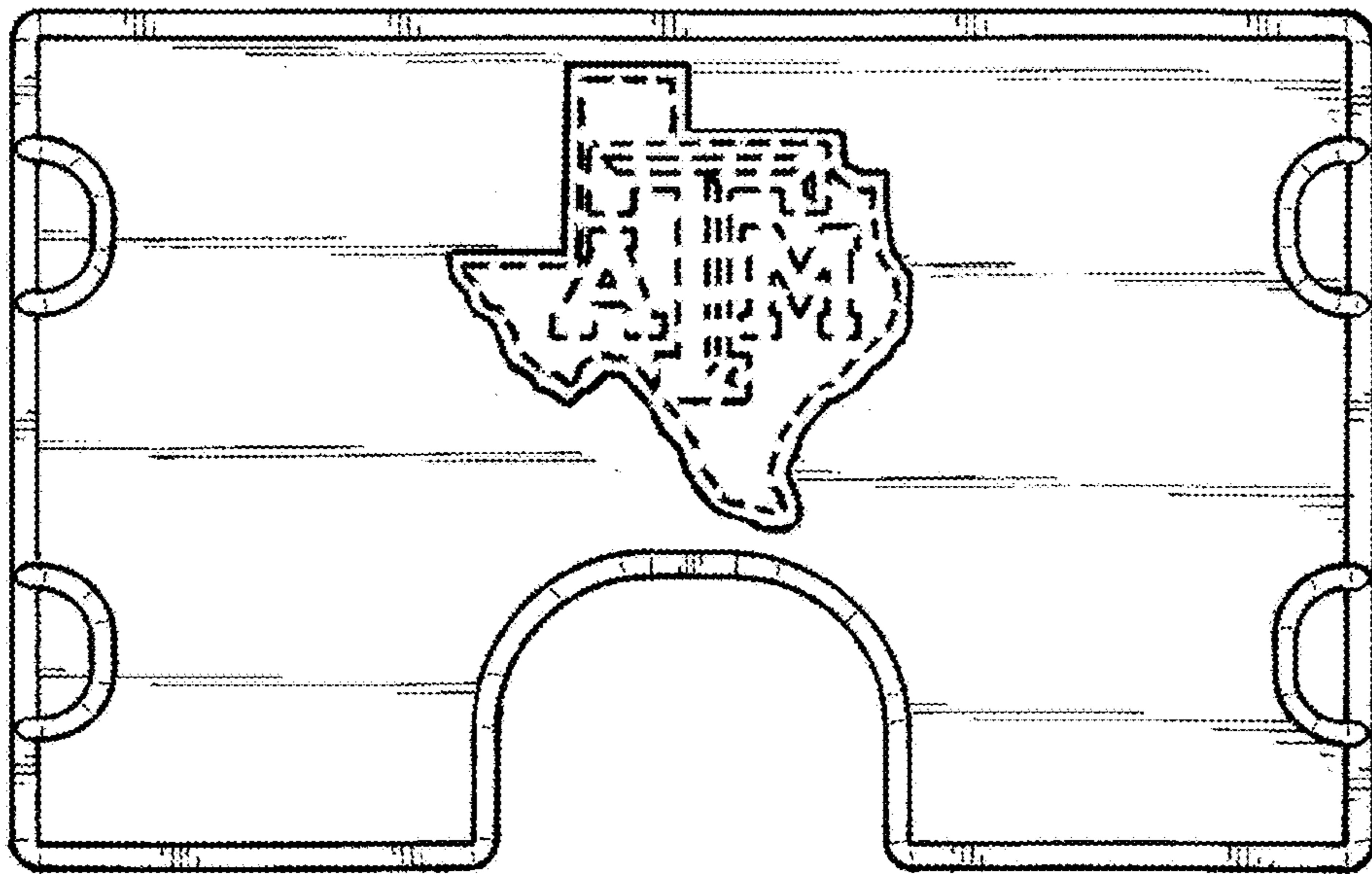


FIG. 1

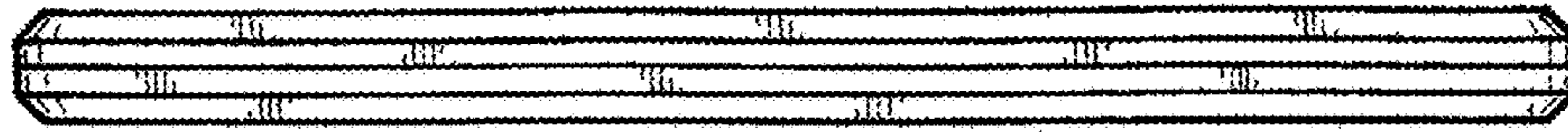


FIG. 2

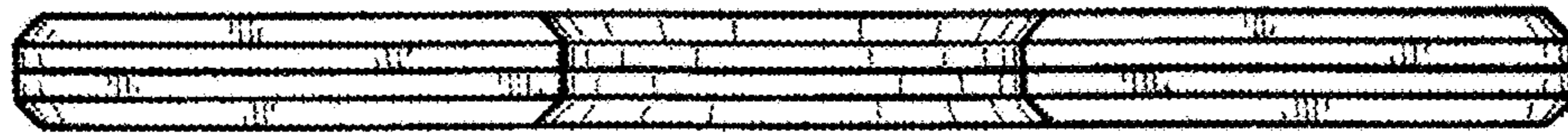


FIG. 3



FIG. 4

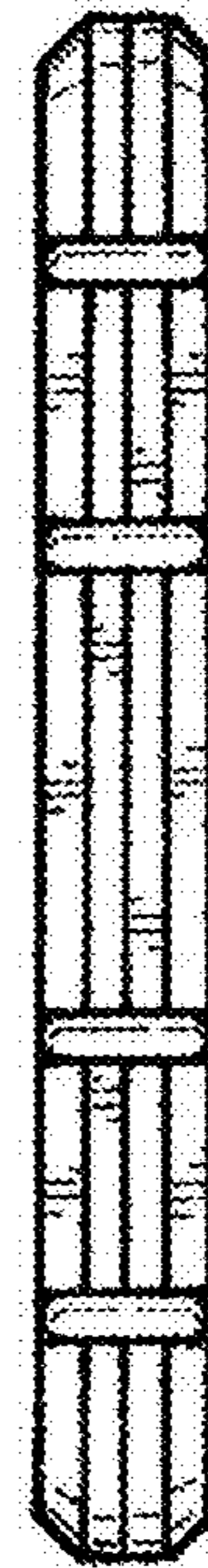


FIG. 5

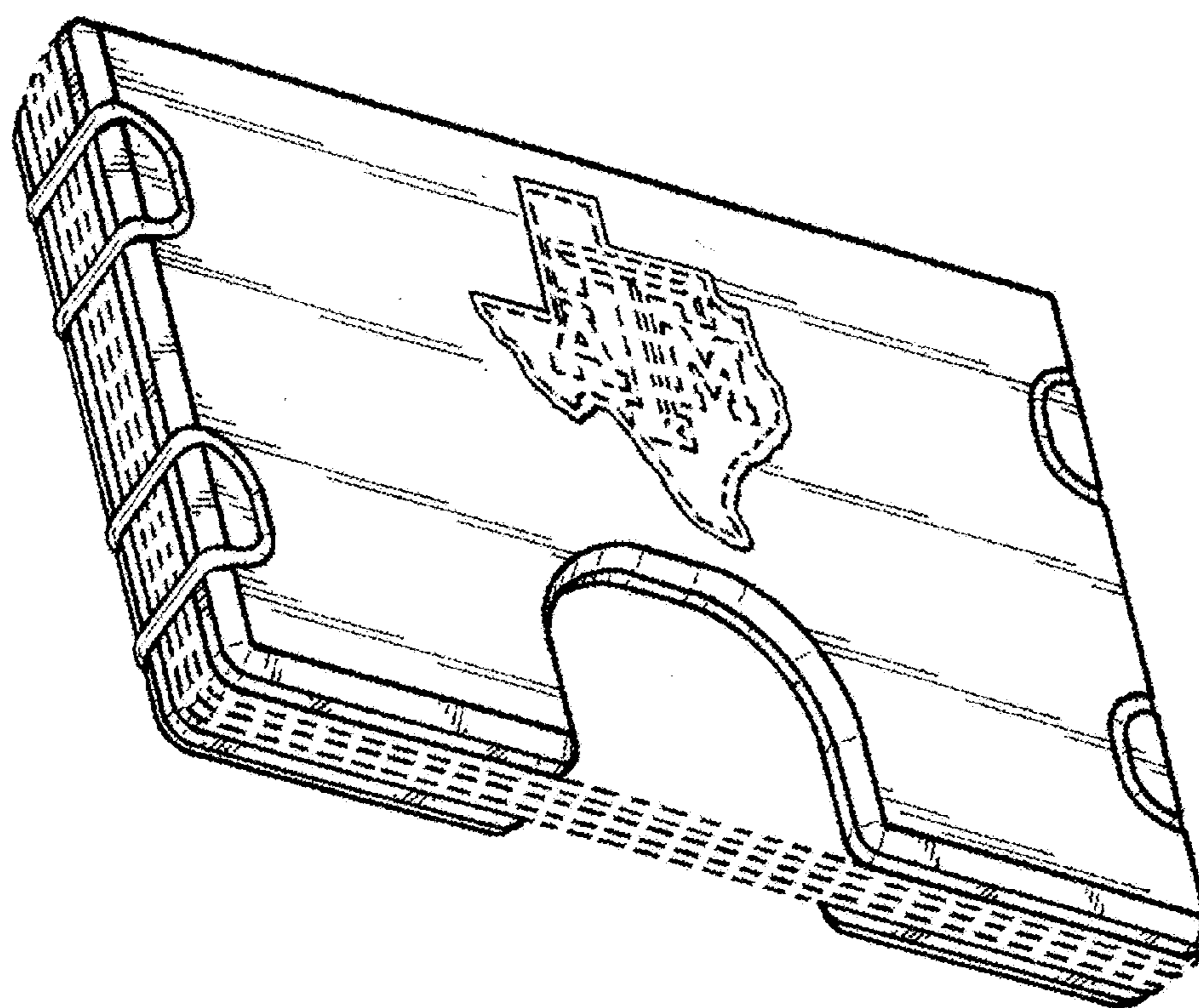


FIG. 6

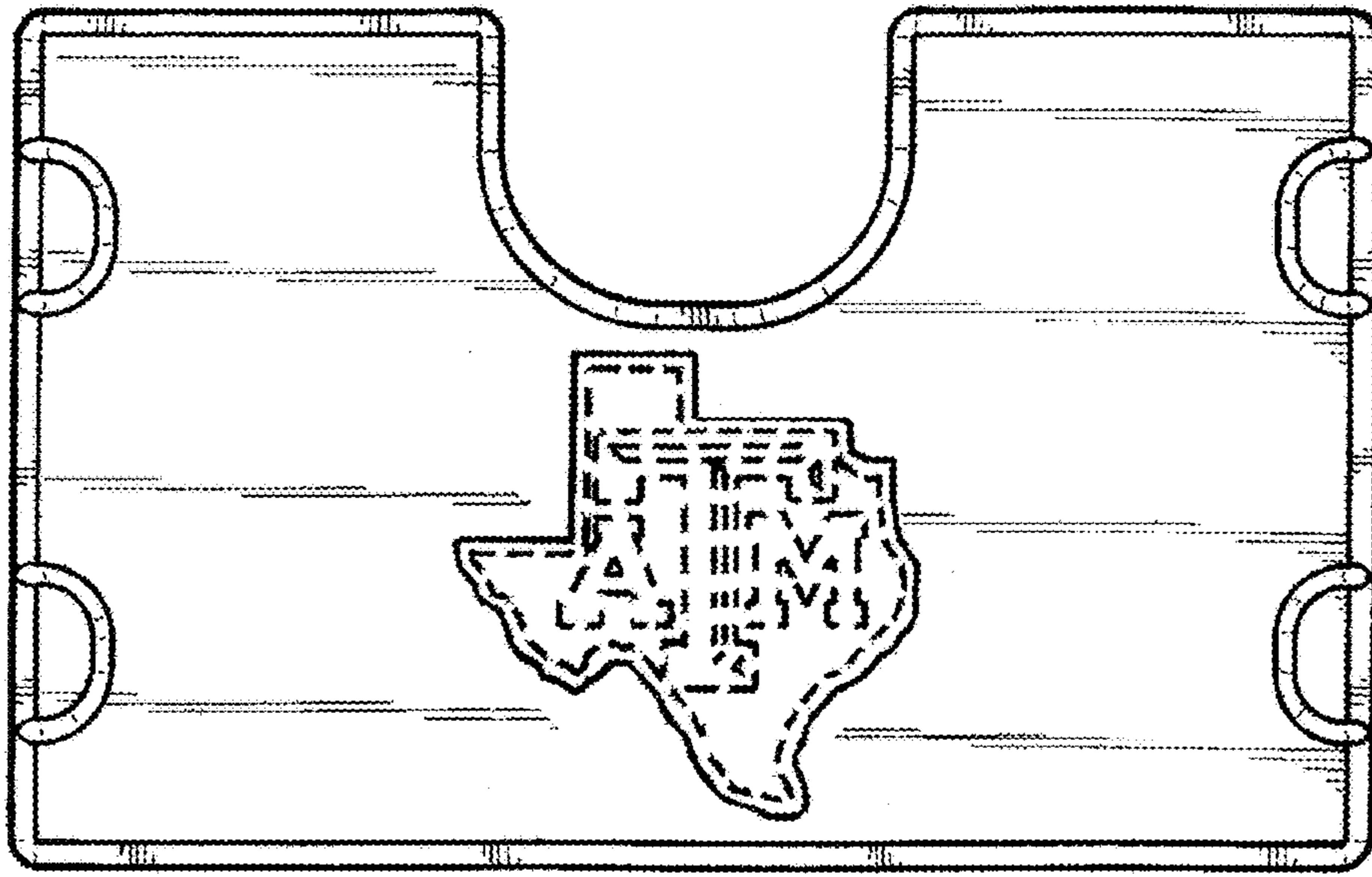


FIG. 7

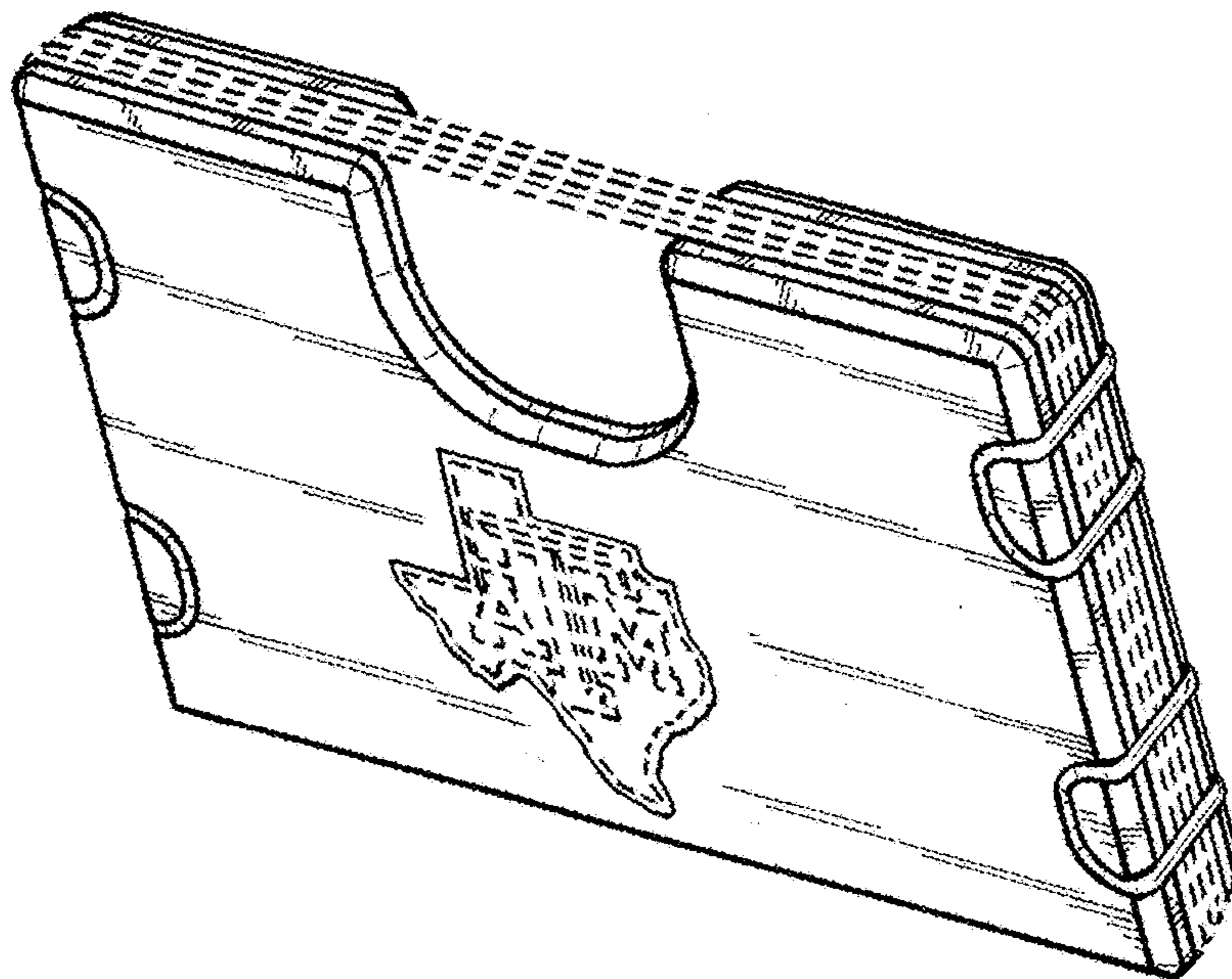


FIG. 8

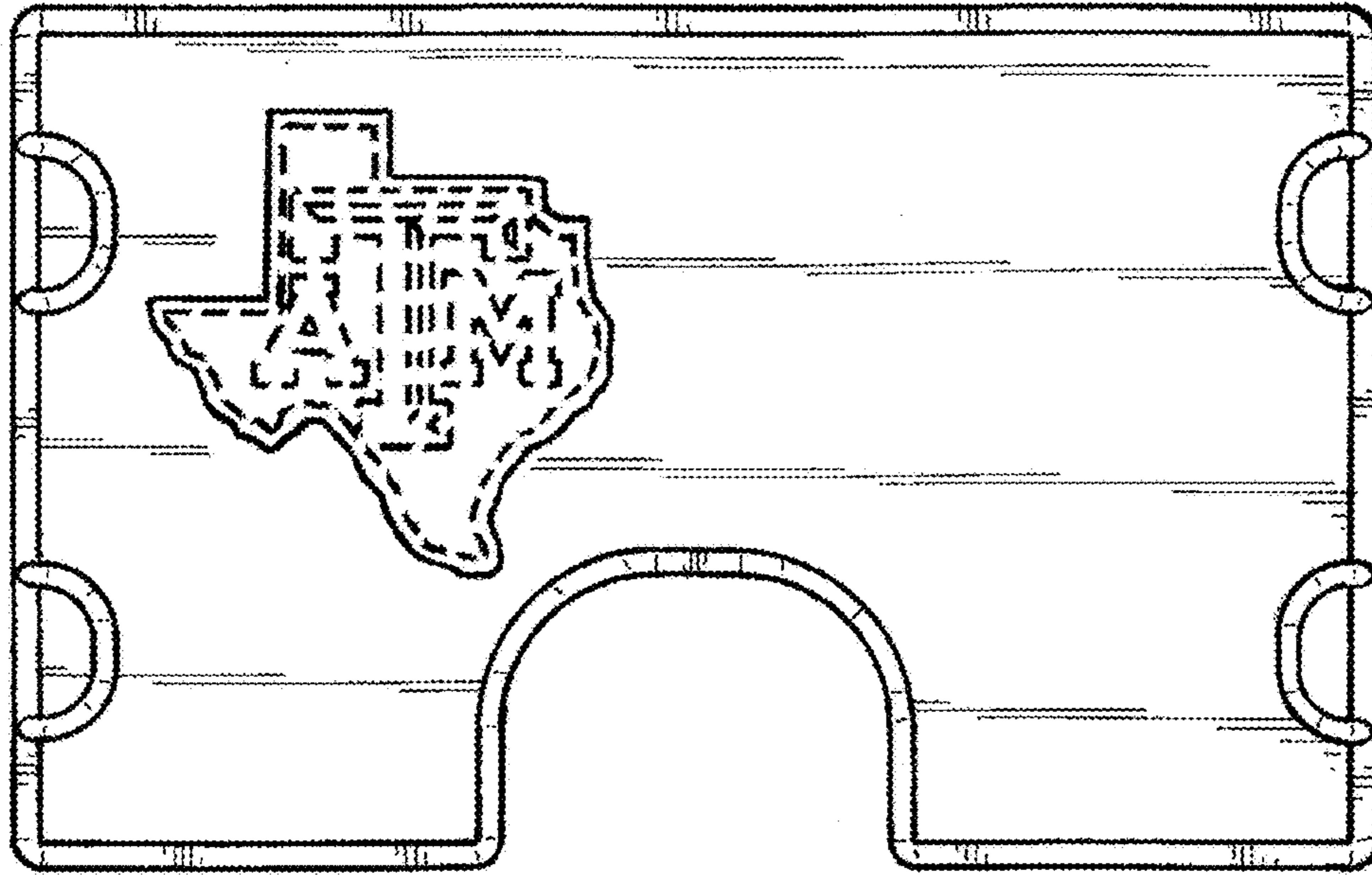


FIG. 9

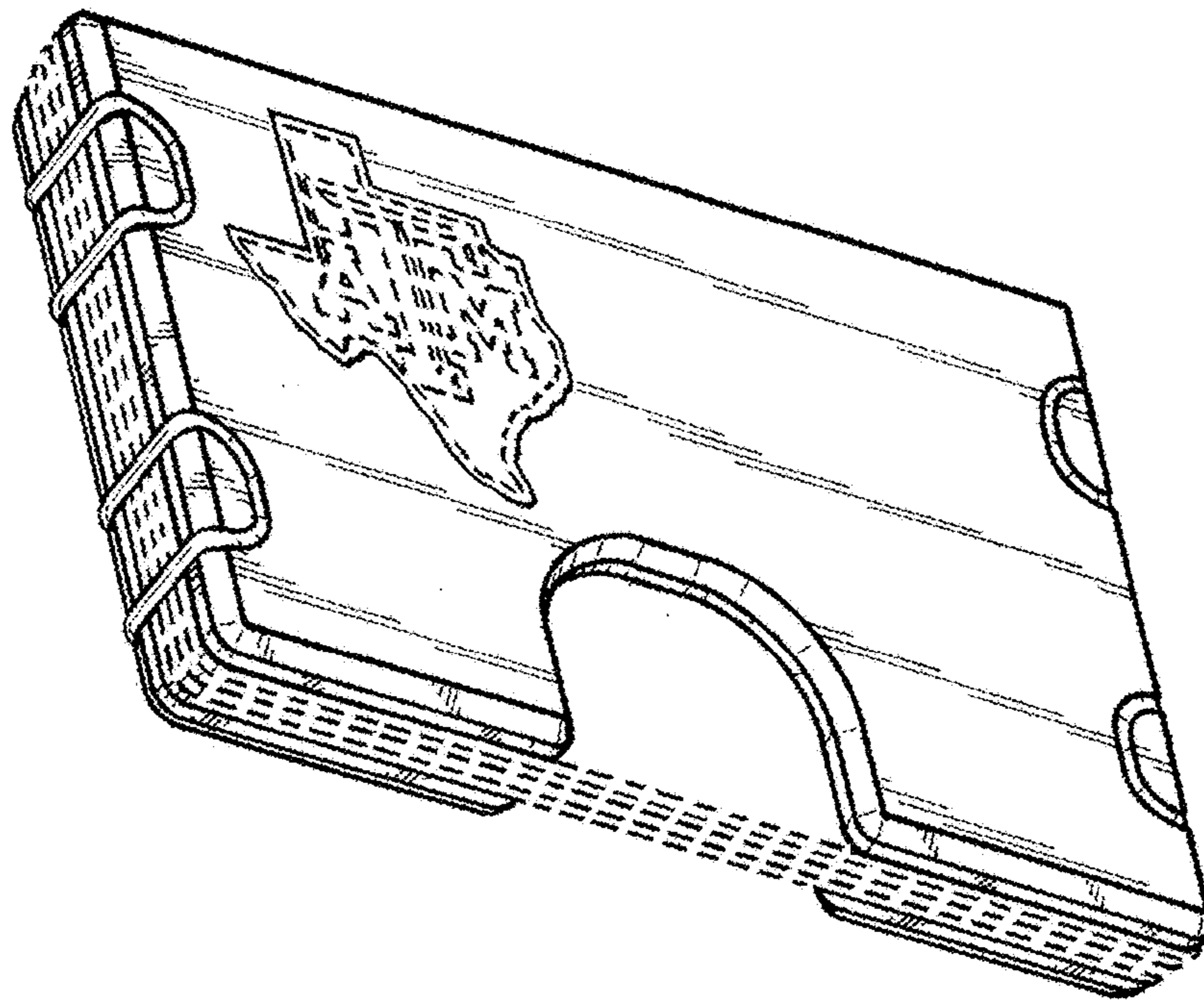


FIG. 10

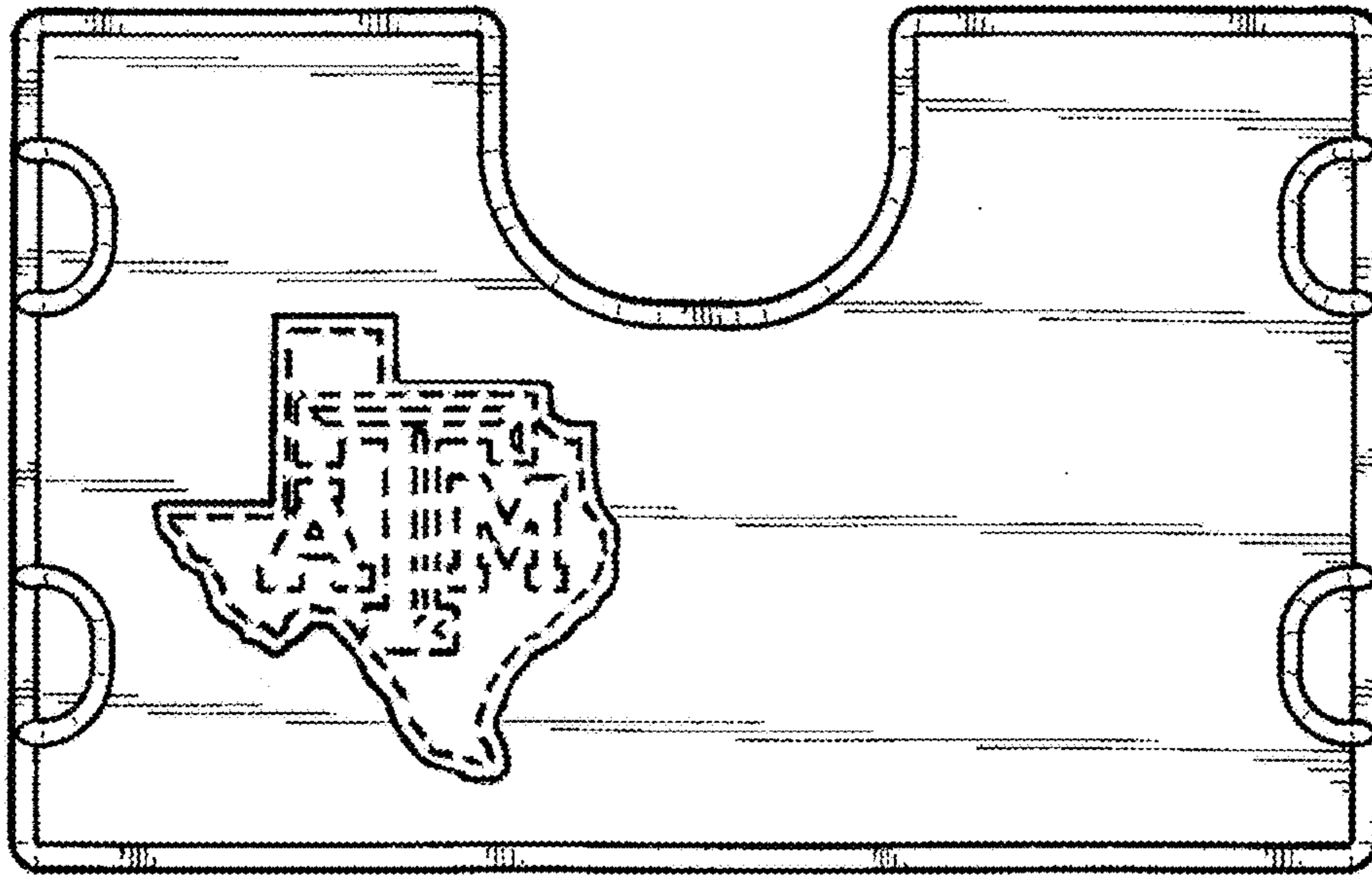


FIG. 11

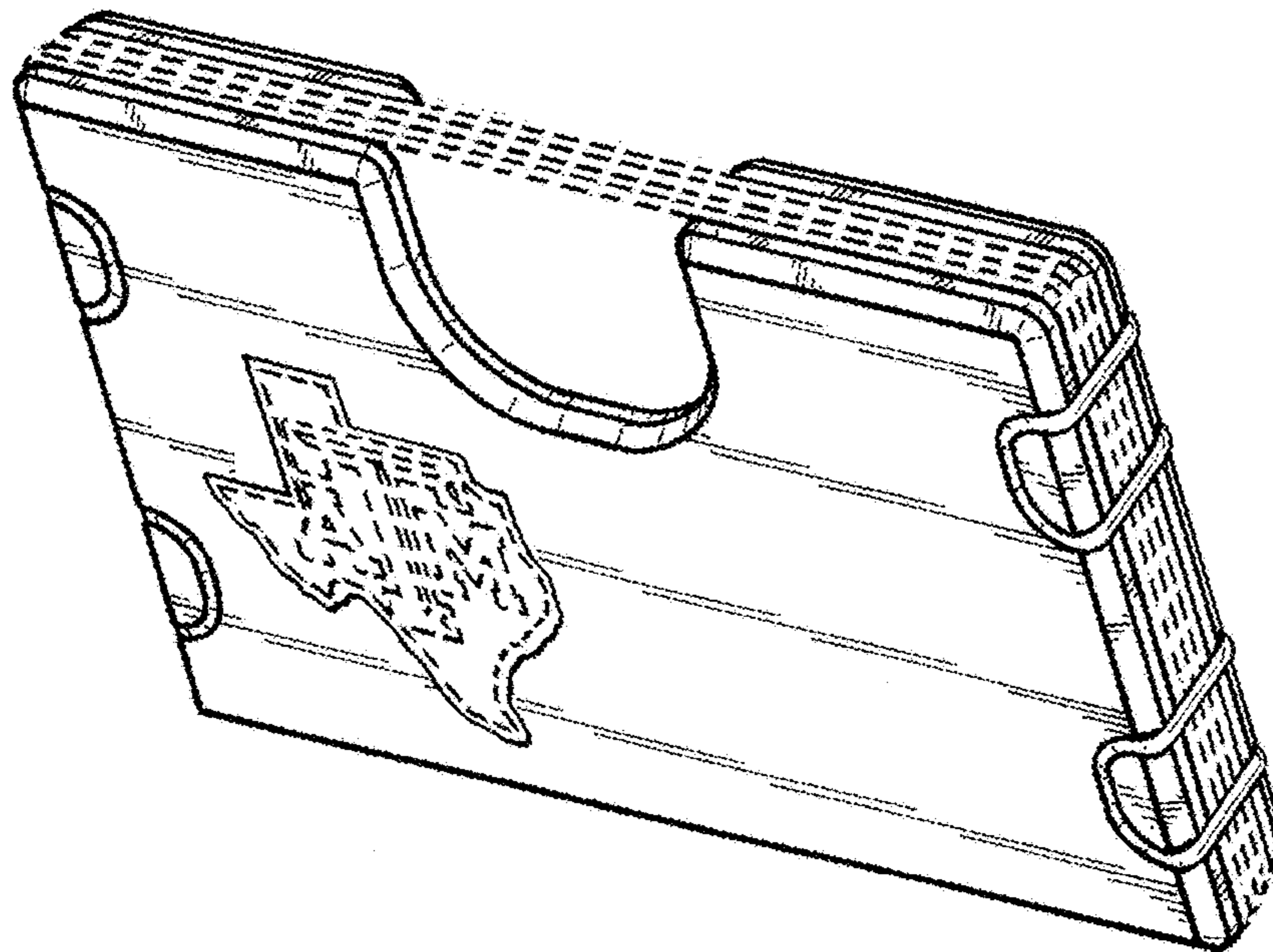


FIG. 12

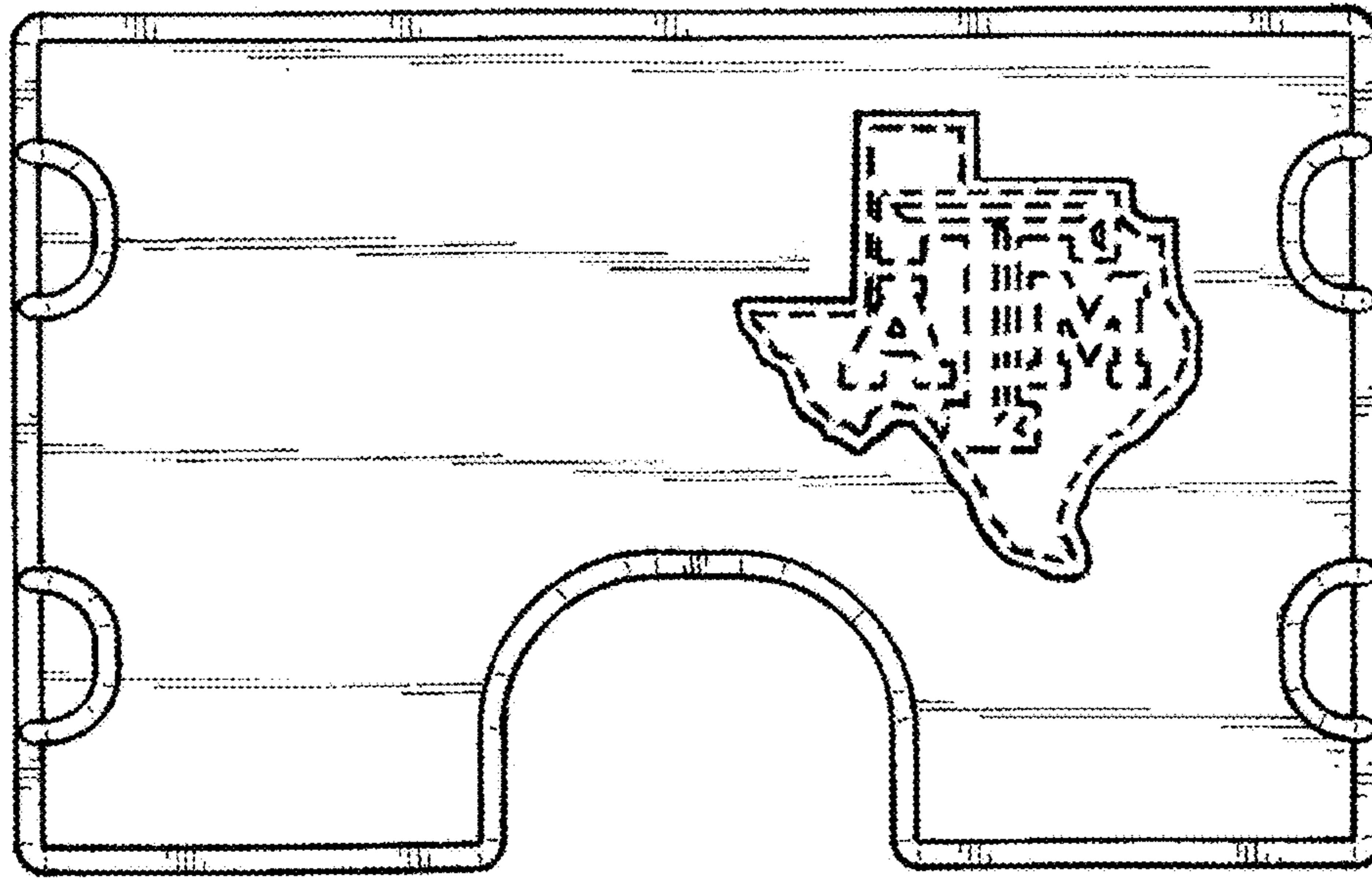


FIG. 13

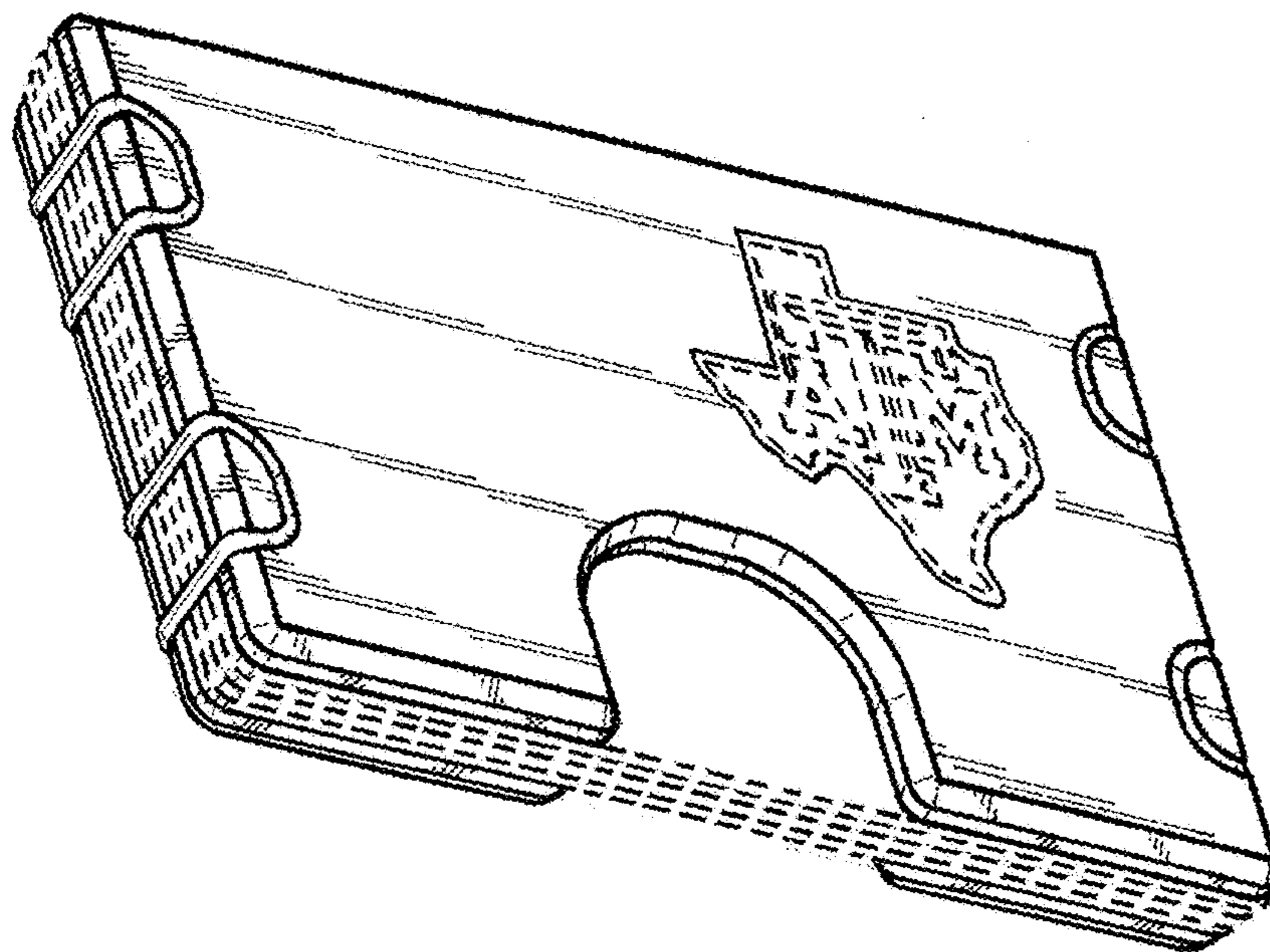


FIG. 14

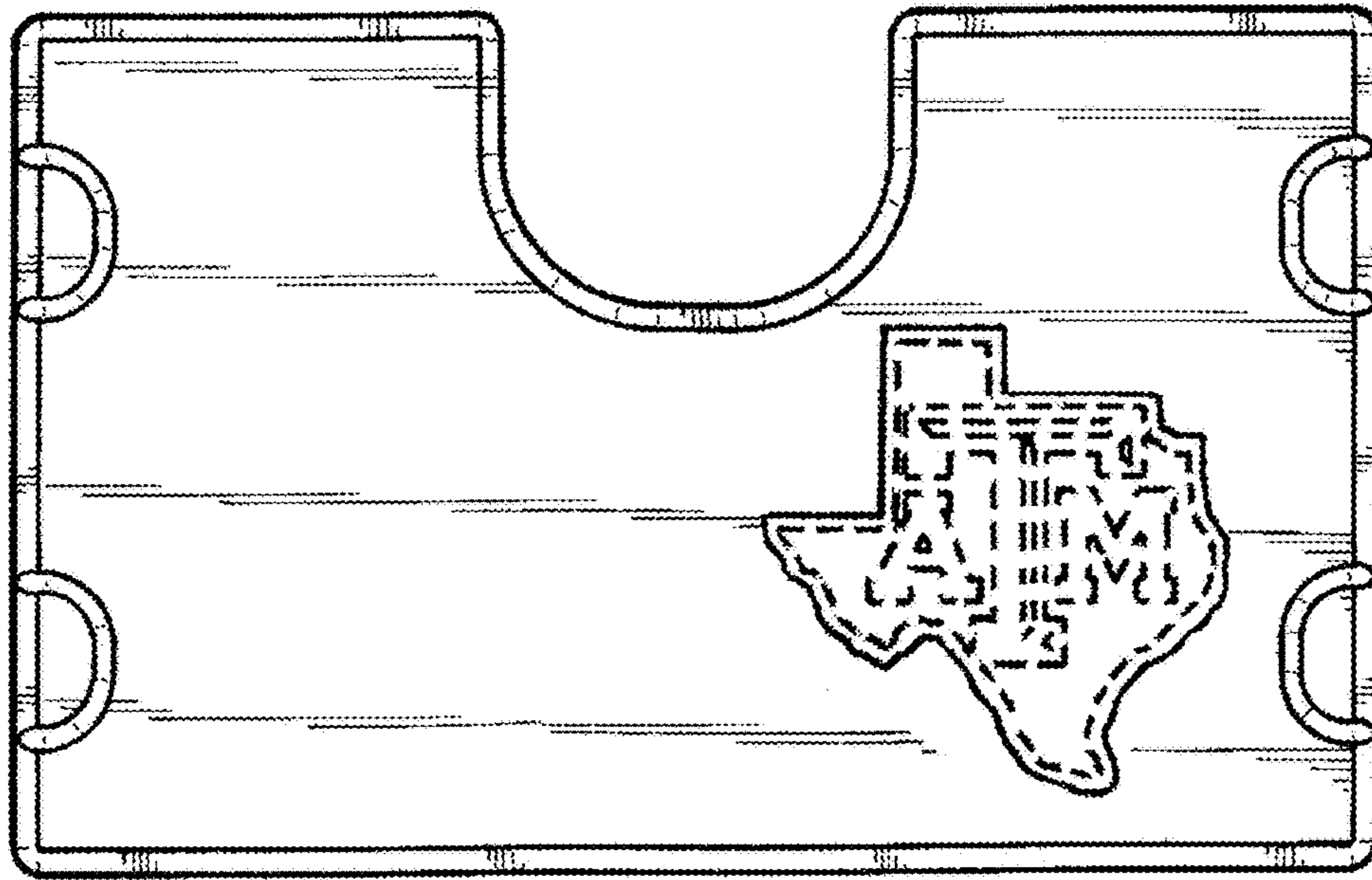


FIG. 15

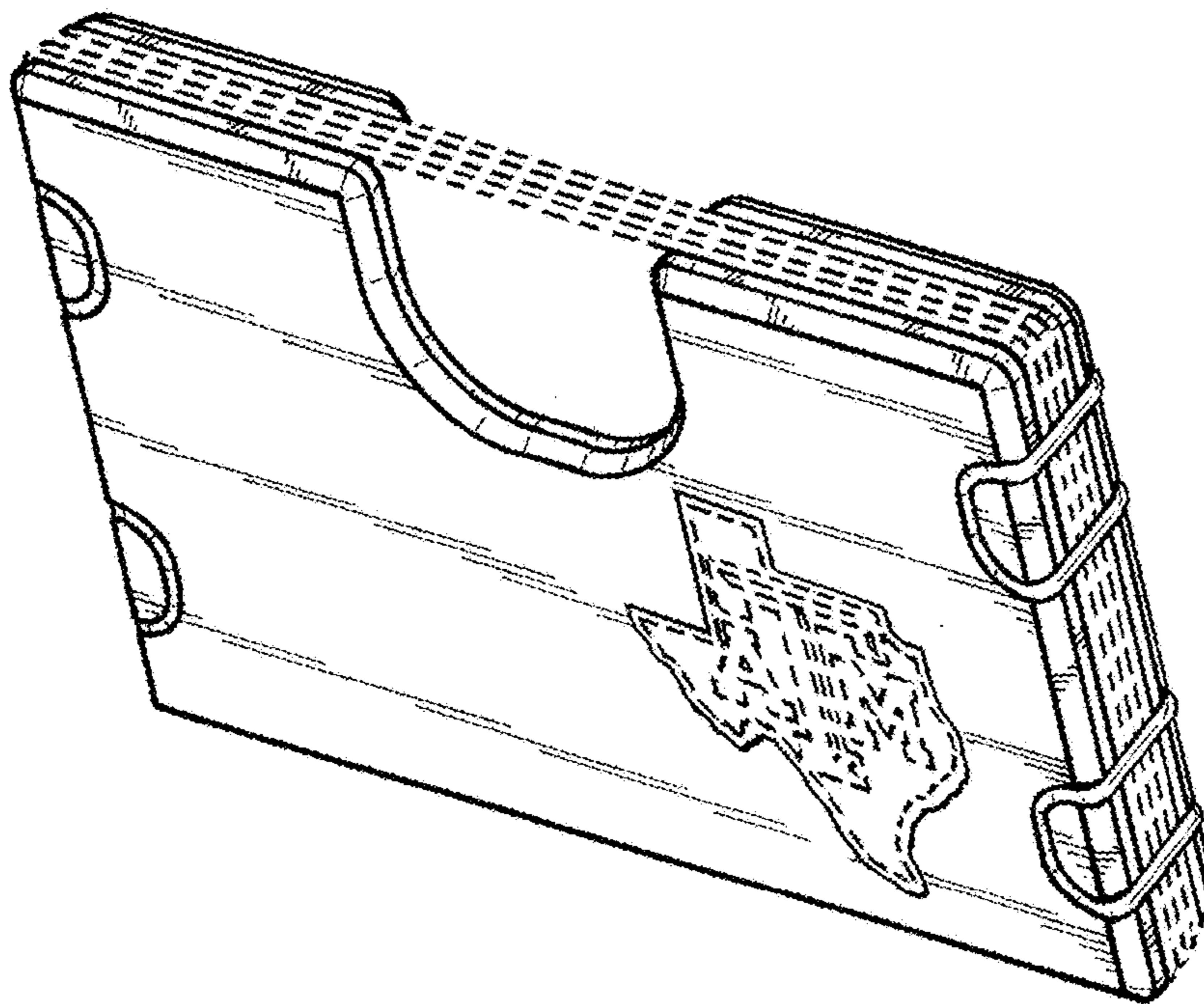


FIG. 16

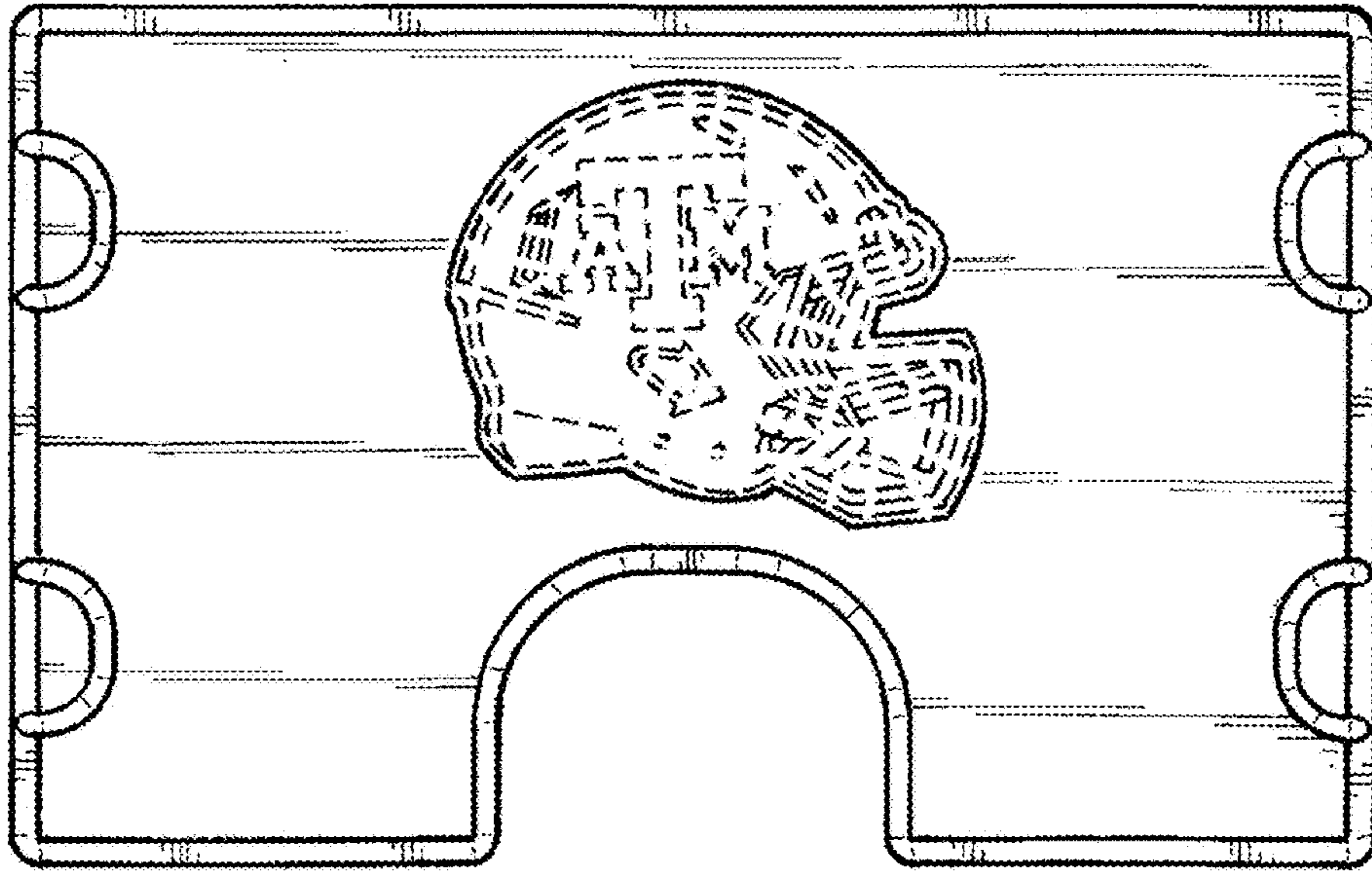


FIG. 17

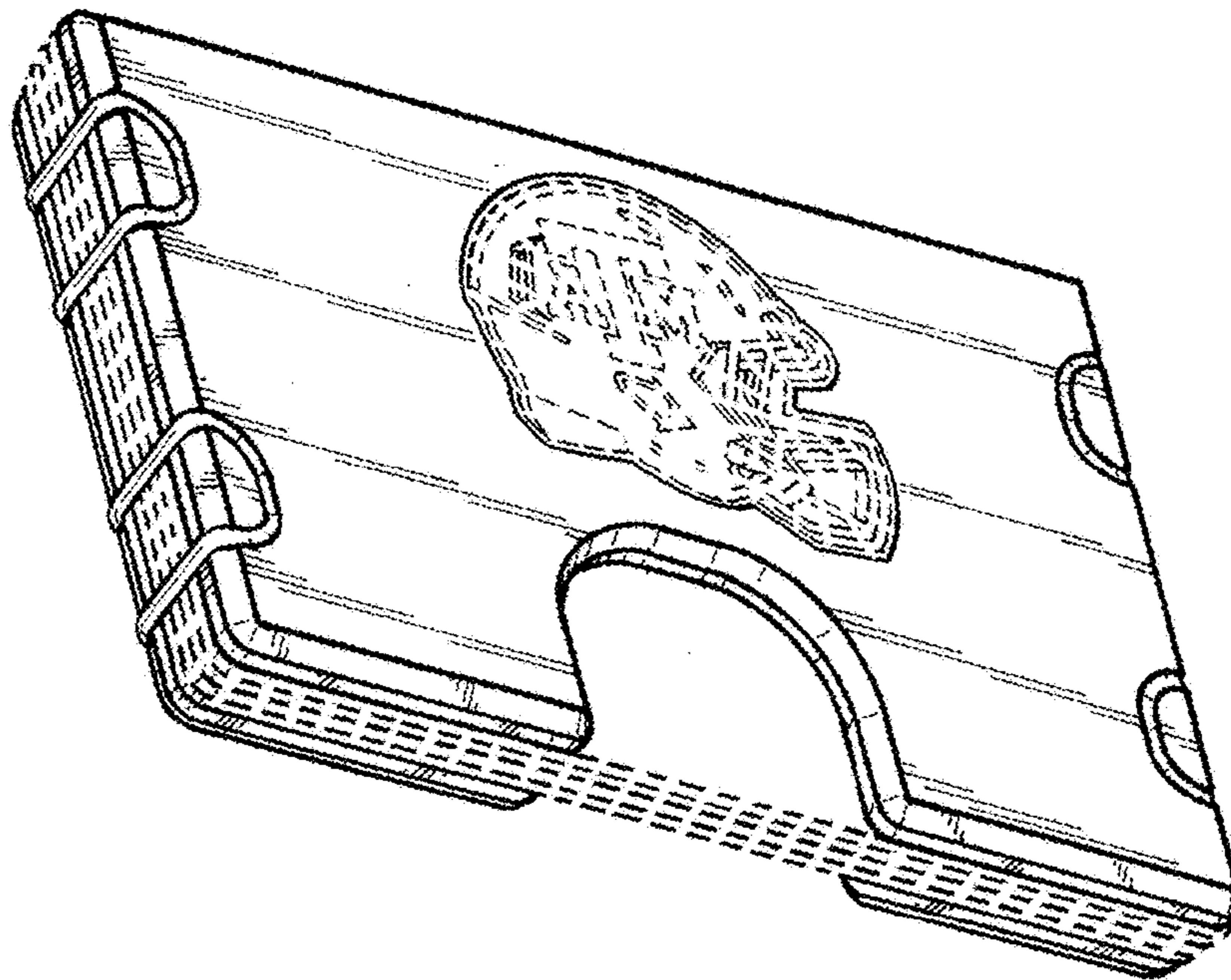


FIG. 18

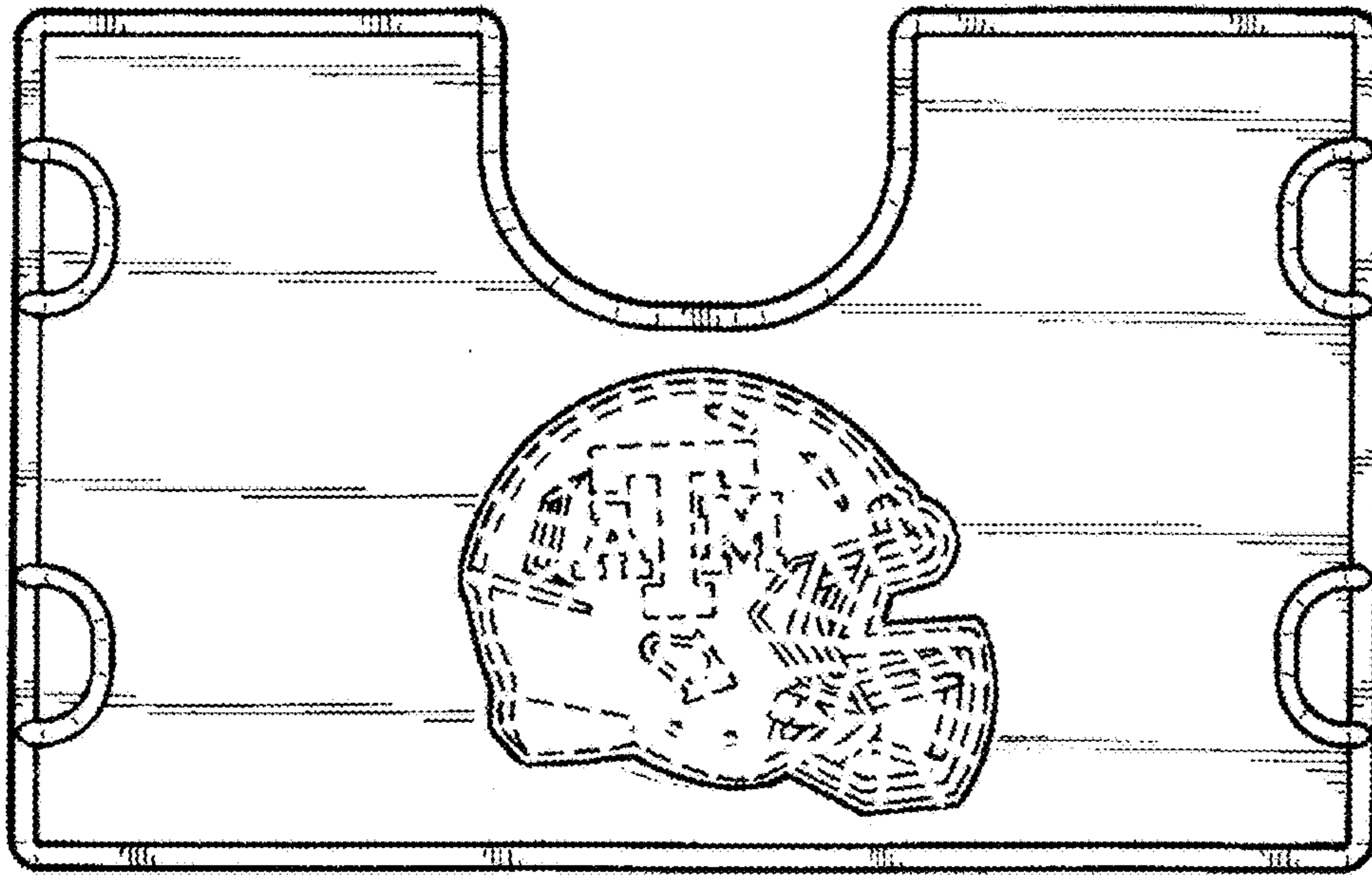


FIG. 19

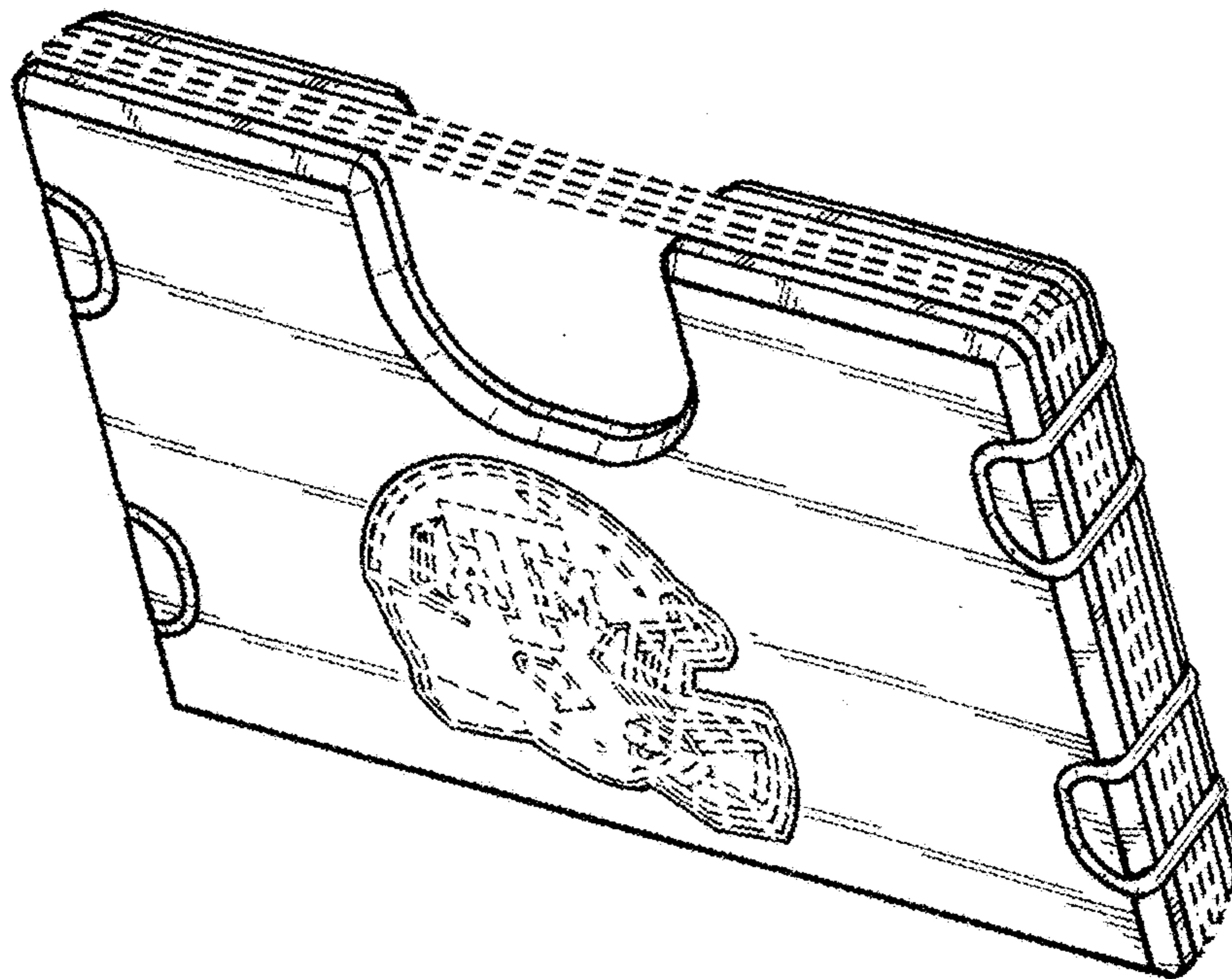


FIG. 20

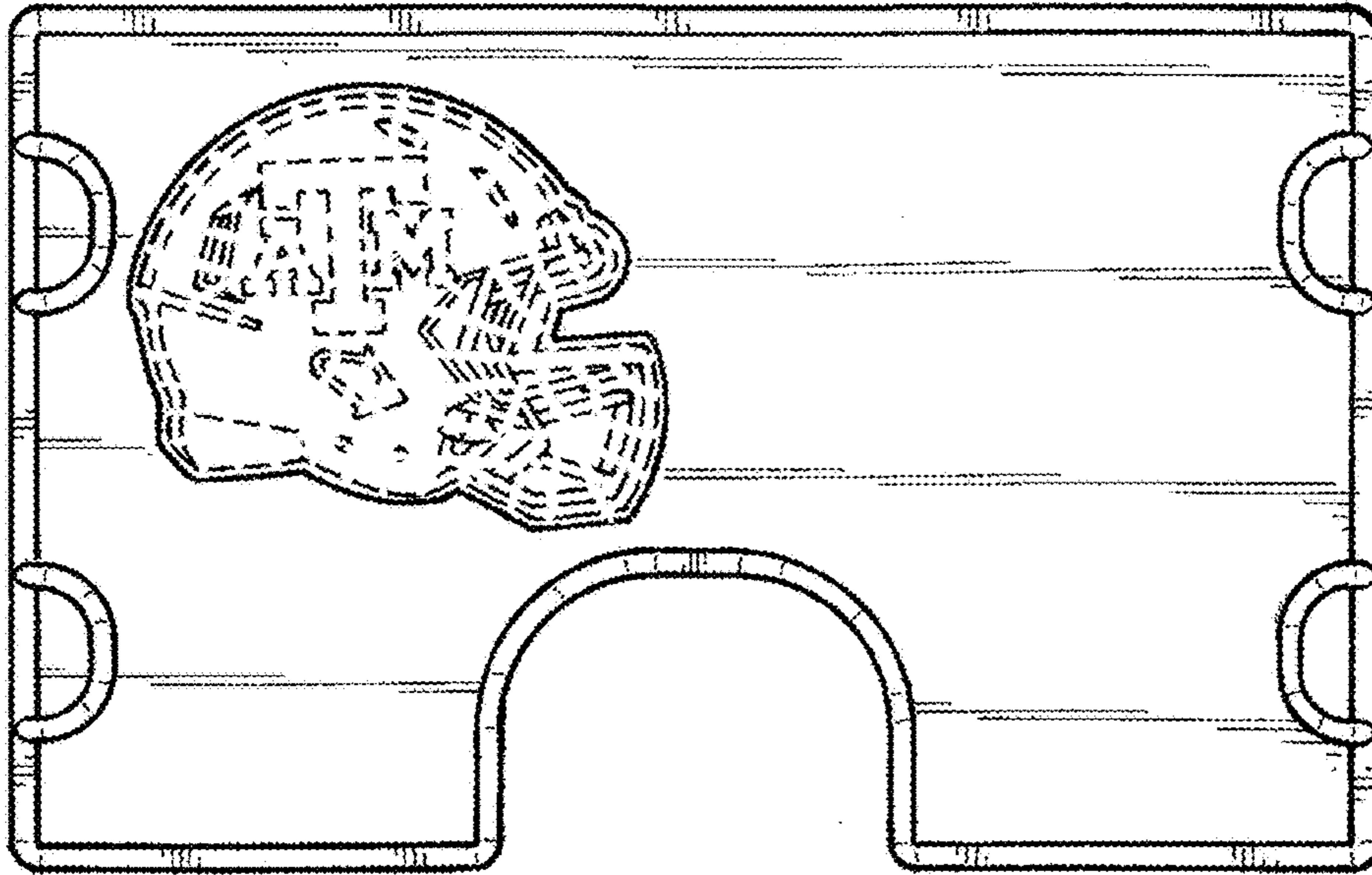


FIG. 21

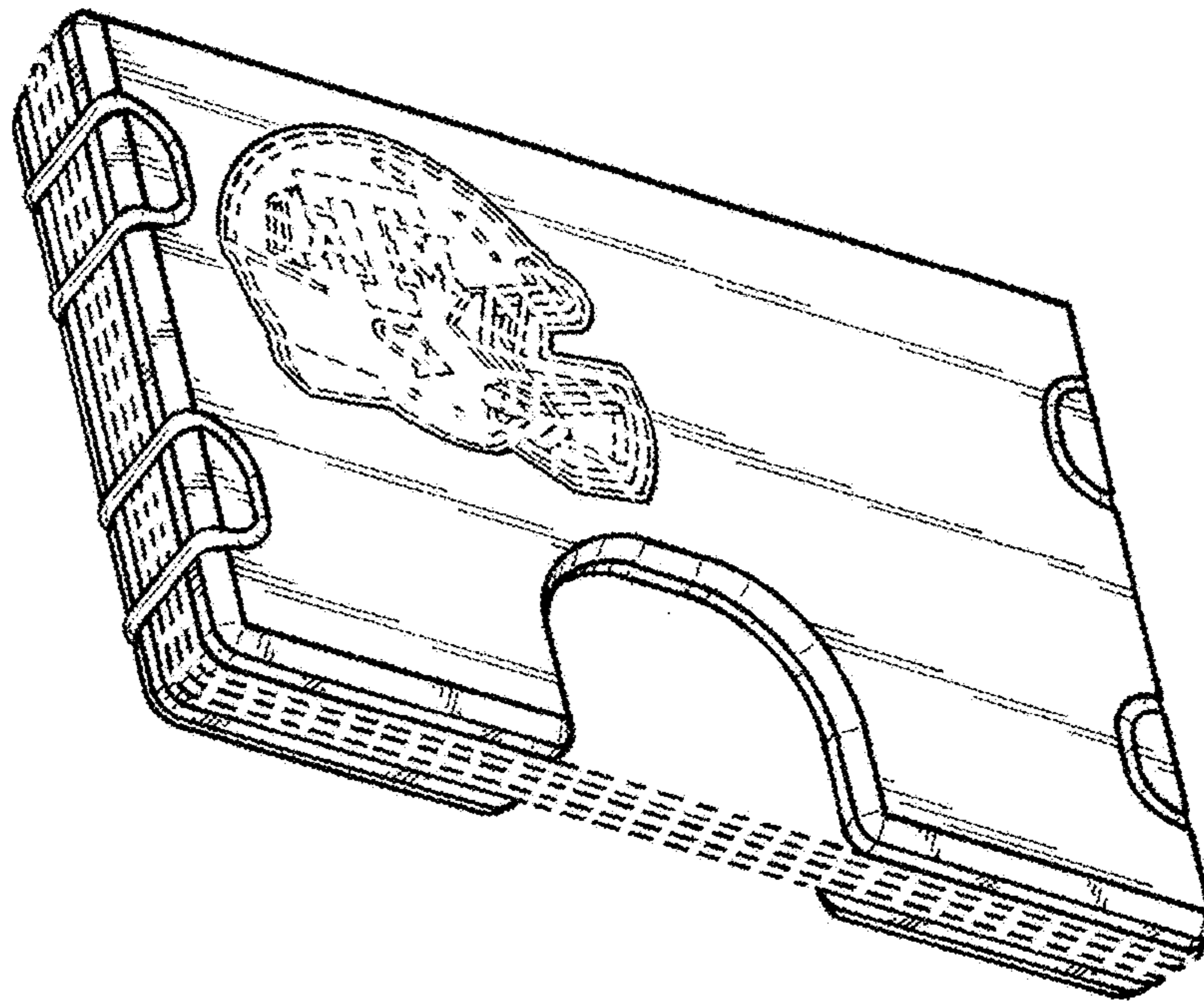


FIG. 22

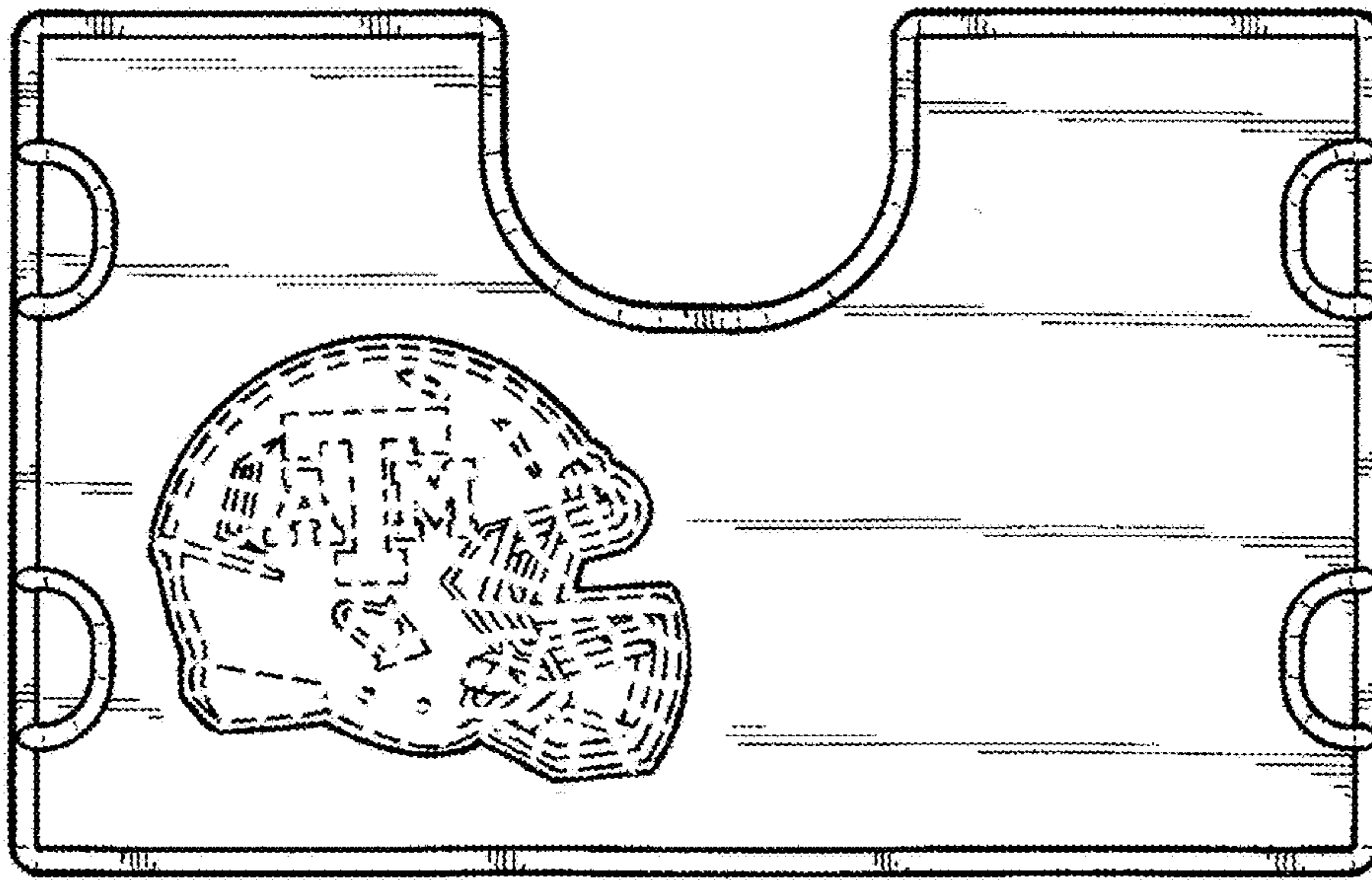


FIG. 23

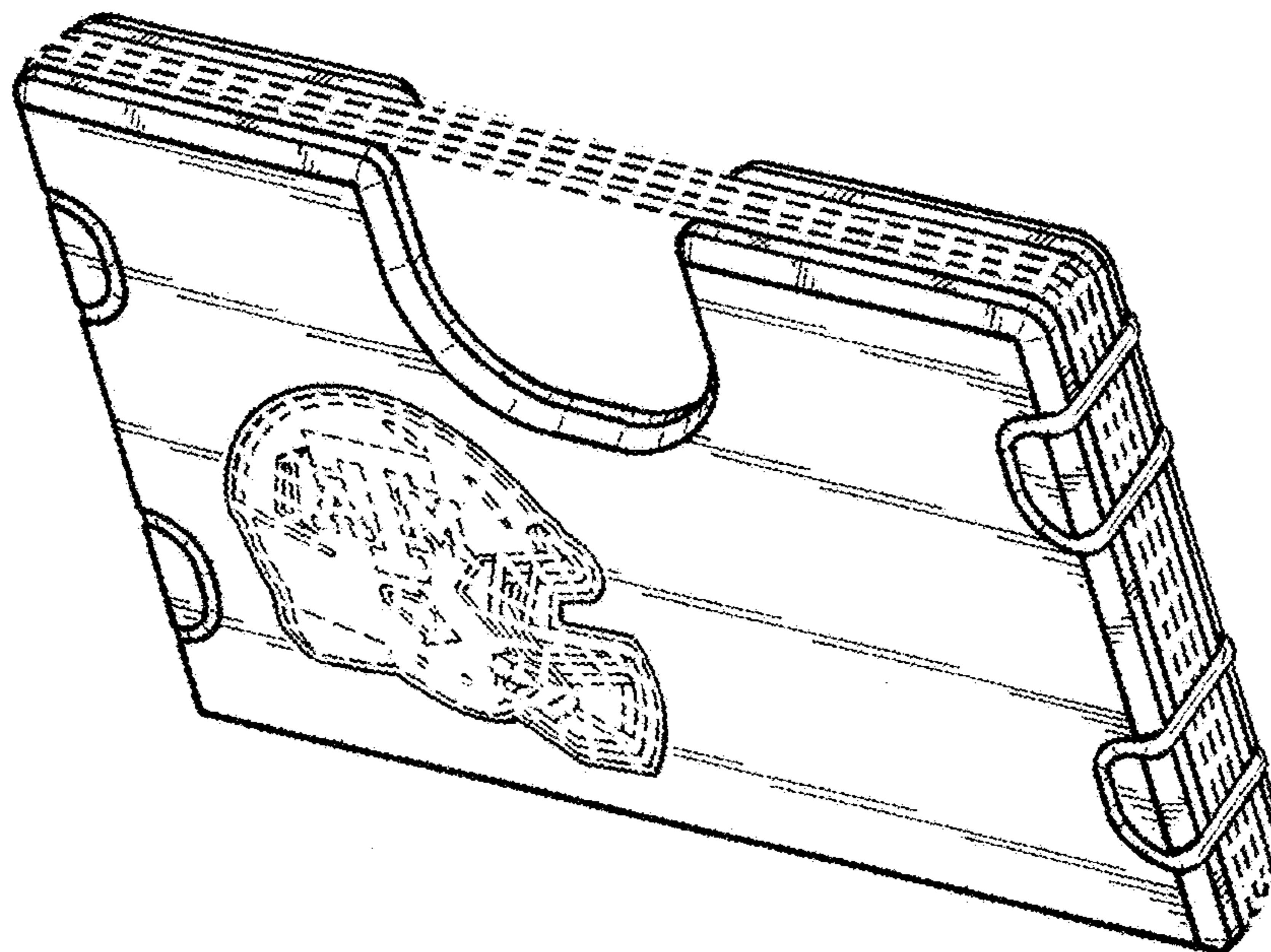


FIG. 24

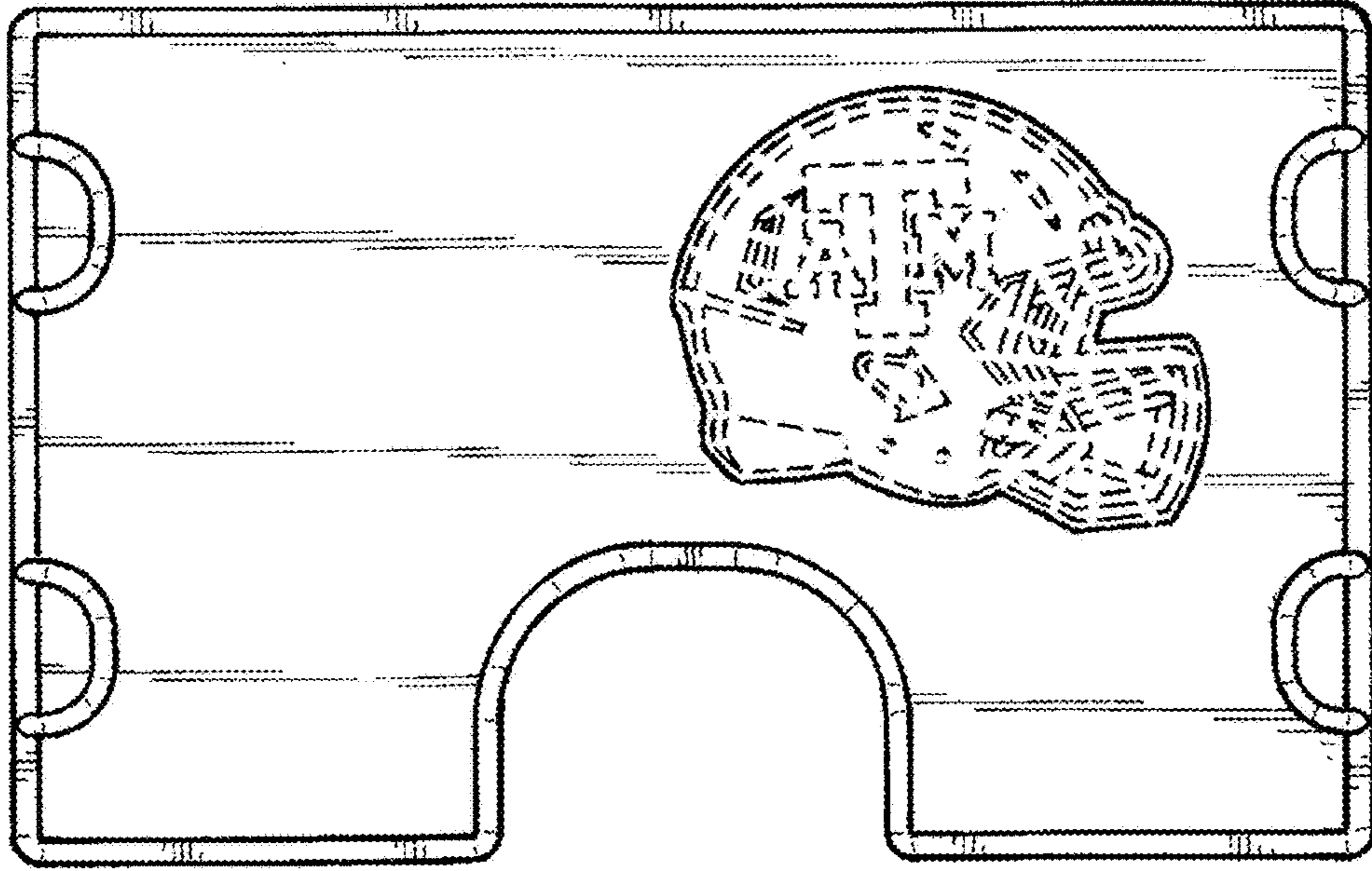


FIG. 25

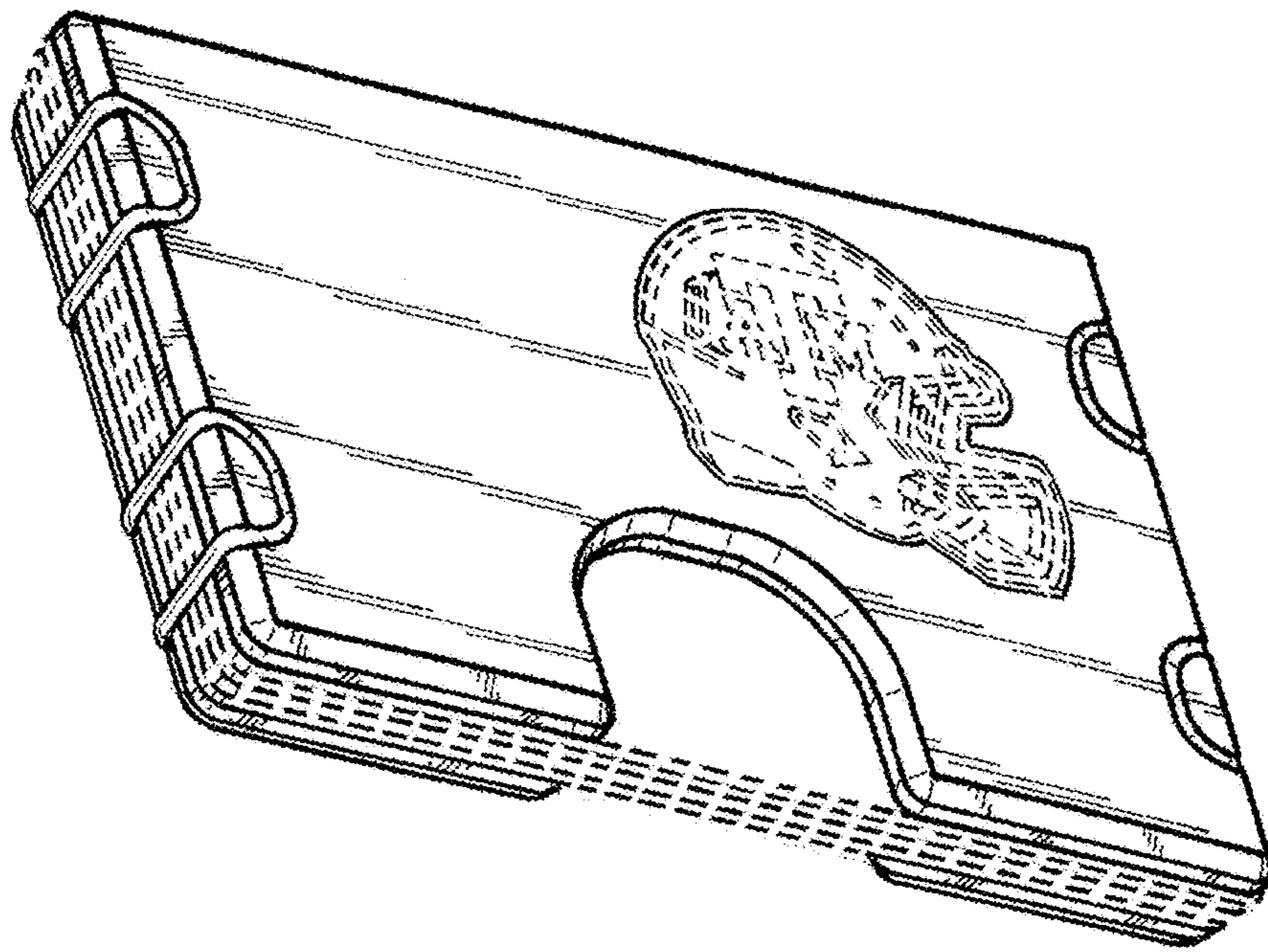


FIG. 26

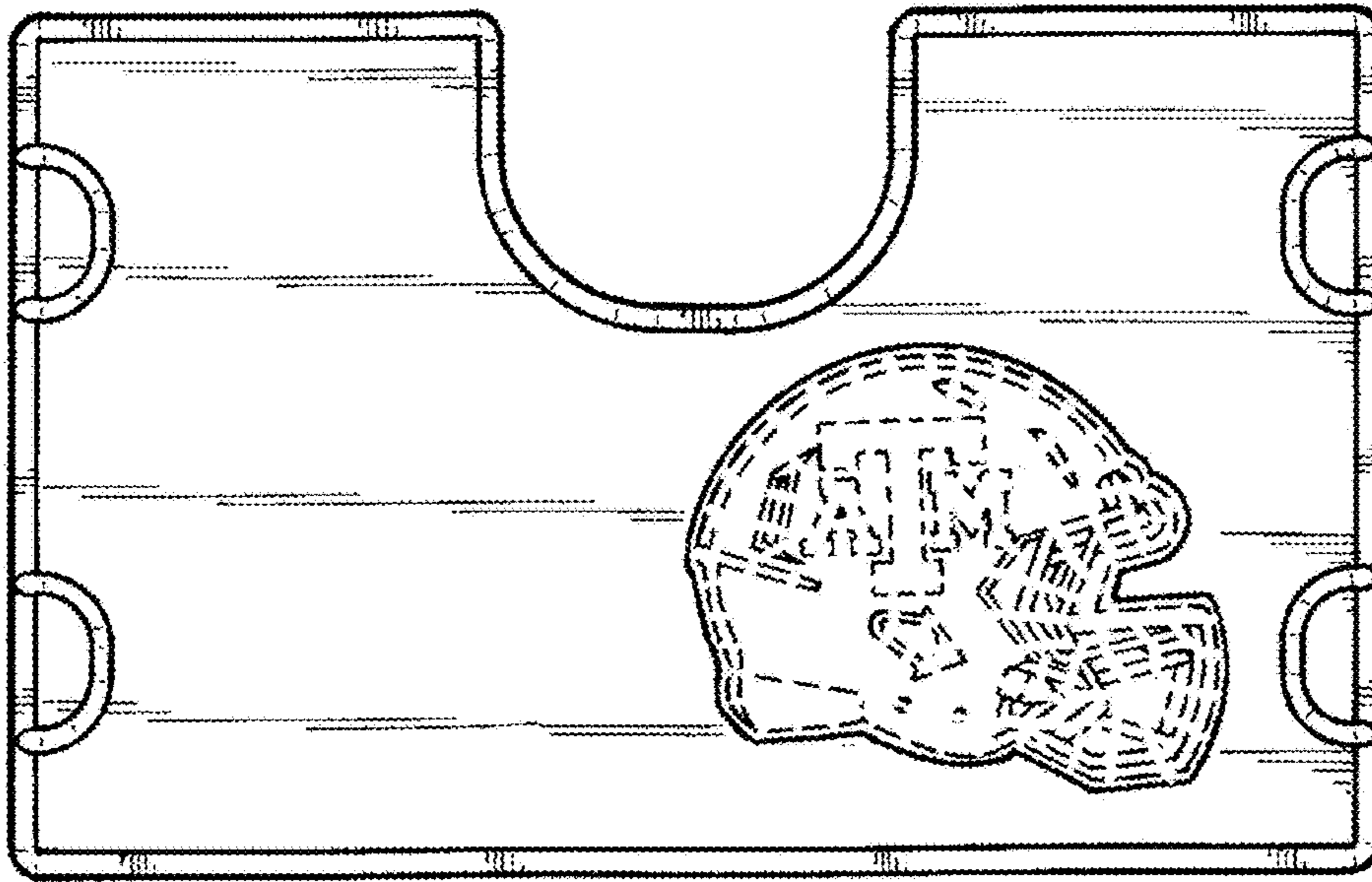


FIG. 27

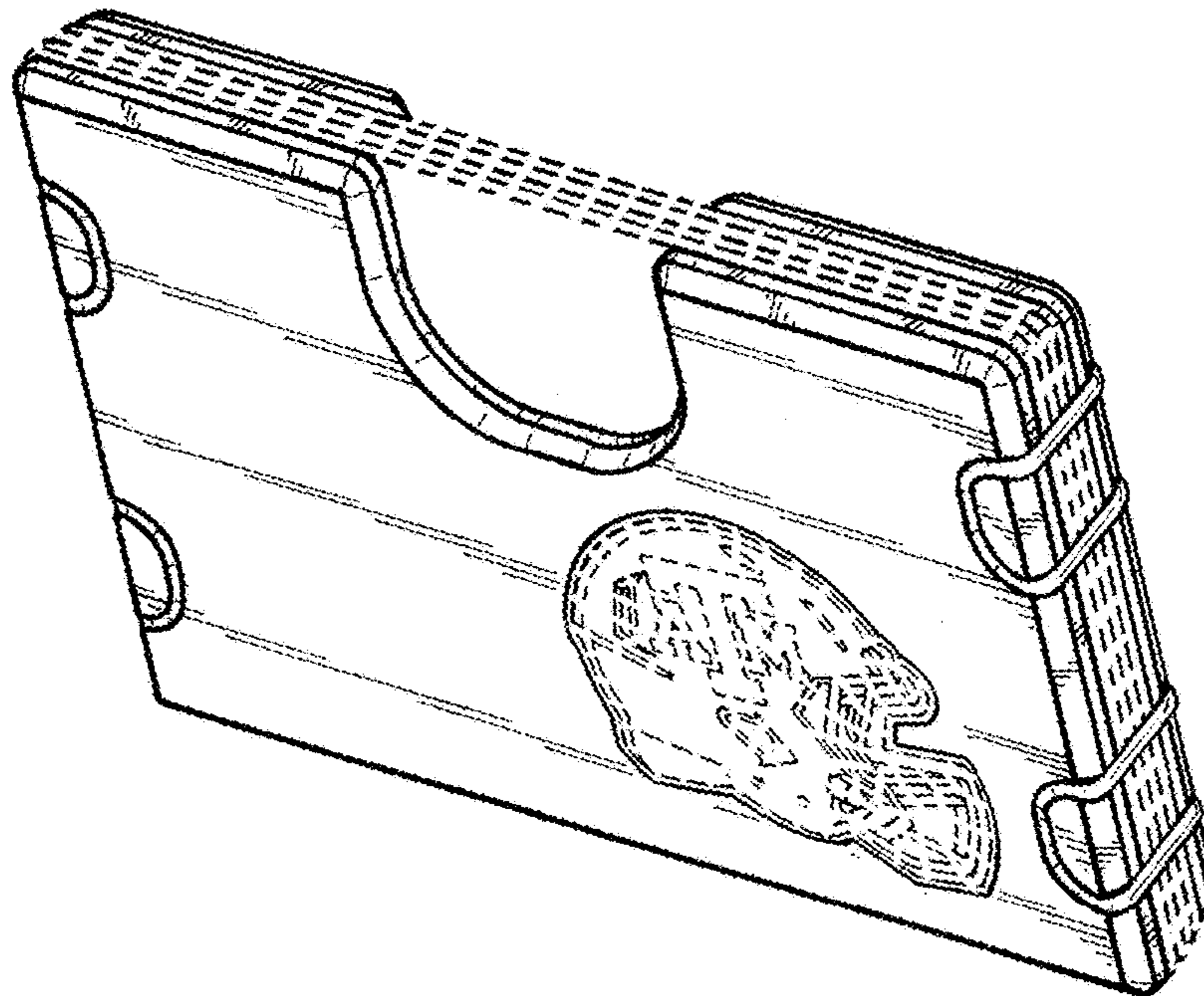


FIG. 28