



US00D866958S

(12) **United States Design Patent** (10) **Patent No.:** **US D866,958 S**  
**Maier** (45) **Date of Patent:** **\*\* Nov. 19, 2019**

(54) **HANDBAG**

(71) Applicant: **BOTTEGA VENETA SA**, Cadempino (CH)

(72) Inventor: **Thomas Rudolf Maier**, Palm Beach, FL (US)

(73) Assignee: **BOTTEGA VENETA SA**, Cadempino (CH)

(\*\*) Term: **15 Years**

(21) Appl. No.: **29/611,967**

(22) Filed: **Jul. 27, 2017**

(30) **Foreign Application Priority Data**

Feb. 23, 2017 (WO) ..... DM/096356

(51) **LOC (12) Cl.** ..... **03-01**

(52) **U.S. Cl.**  
USPC ..... **D3/232**

(58) **Field of Classification Search**  
USPC ..... D3/201, 217, 232–233, 240–243,  
D3/245–247, 249–253, 318, 321, 322  
CPC ..... A45C 1/024; A45C 3/06  
See application file for complete search history.

(56) **References Cited**

U.S. PATENT DOCUMENTS

D691,798 S *	10/2013	Venturini Fendi .....	D3/232
D746,053 S *	12/2015	Sassi .....	D3/232
D750,372 S *	3/2016	Slimane .....	D3/232
D785,930 S *	5/2017	Sassi .....	D3/232
D818,265 S *	5/2018	Hawkes .....	D3/232
D836,331 S *	12/2018	Fusi .....	D3/232
D857,382 S *	8/2019	Fusi .....	D3/232

\* cited by examiner

*Primary Examiner* — Holly E Thurman

(74) *Attorney, Agent, or Firm* — Lucas & Mercanti, LLP

(57) **CLAIM**

The ornamental design for a handbag, as shown and described.

**DESCRIPTION**

FIG. 1 is a perspective view of the handbag according to the design;  
FIG. 2 is a front view thereof;  
FIG. 3 is a back view thereof;  
FIG. 4 is a left side view thereof;  
FIG. 5 is a right side view thereof;  
FIG. 6 is a top view thereof; and,  
FIG. 7 is a bottom view thereof.

**1 Claim, 7 Drawing Sheets**

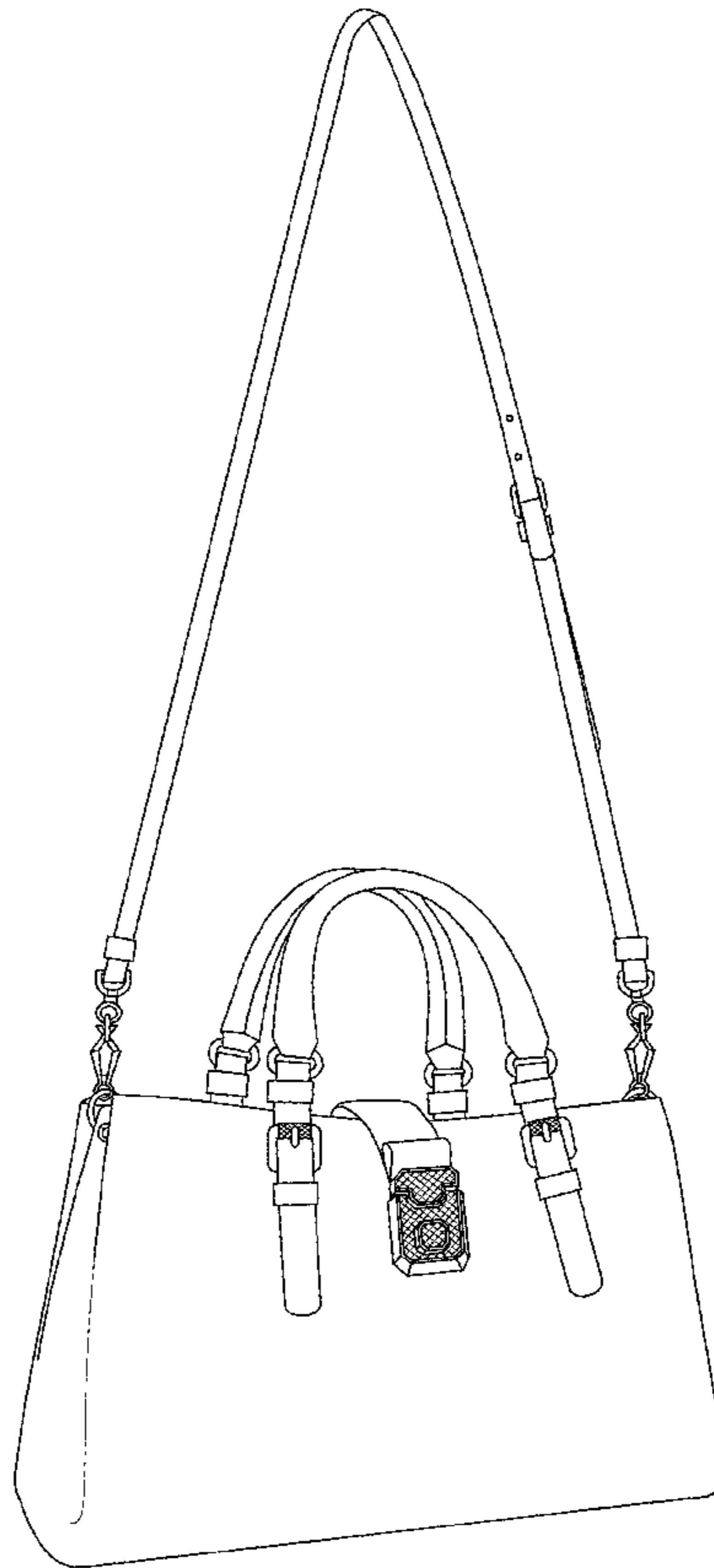


FIG. 1

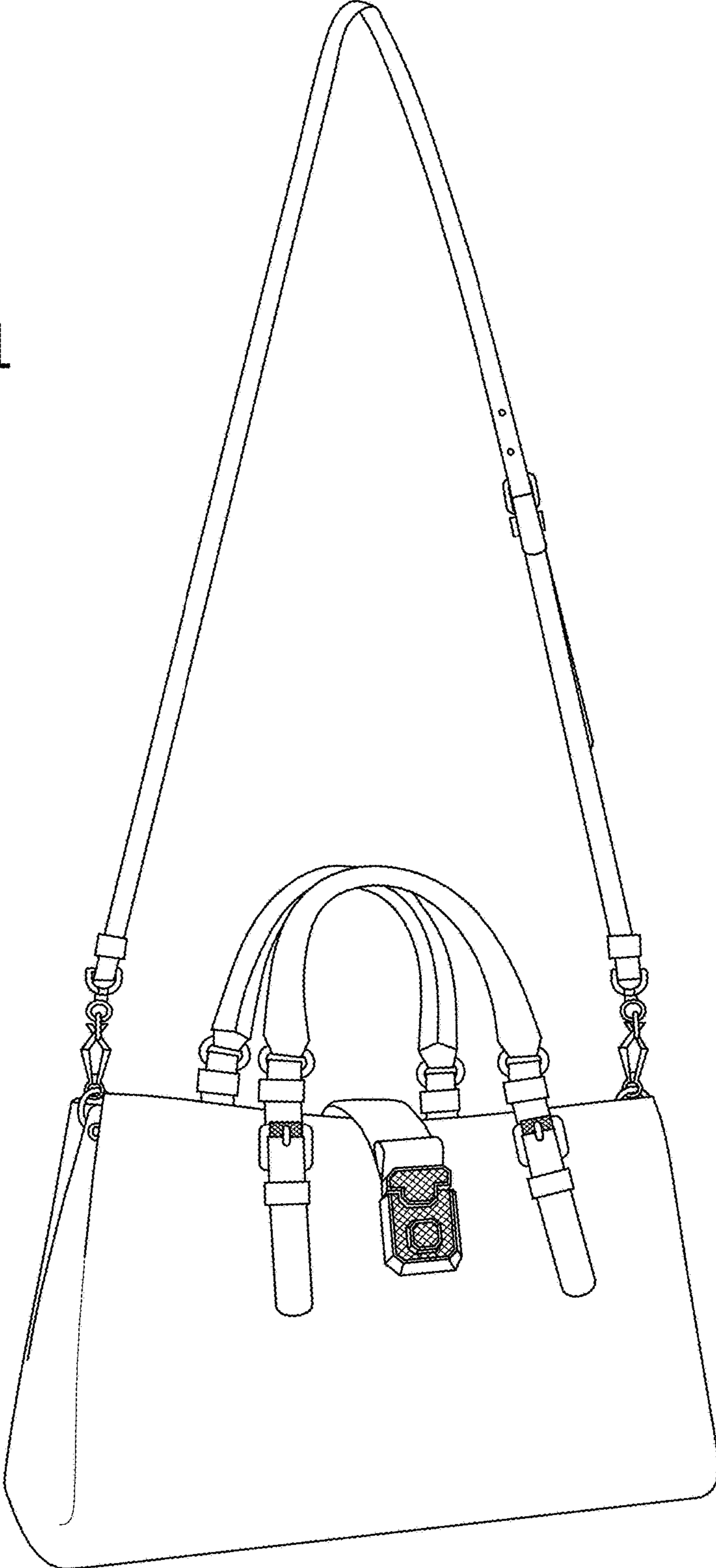


FIG. 2

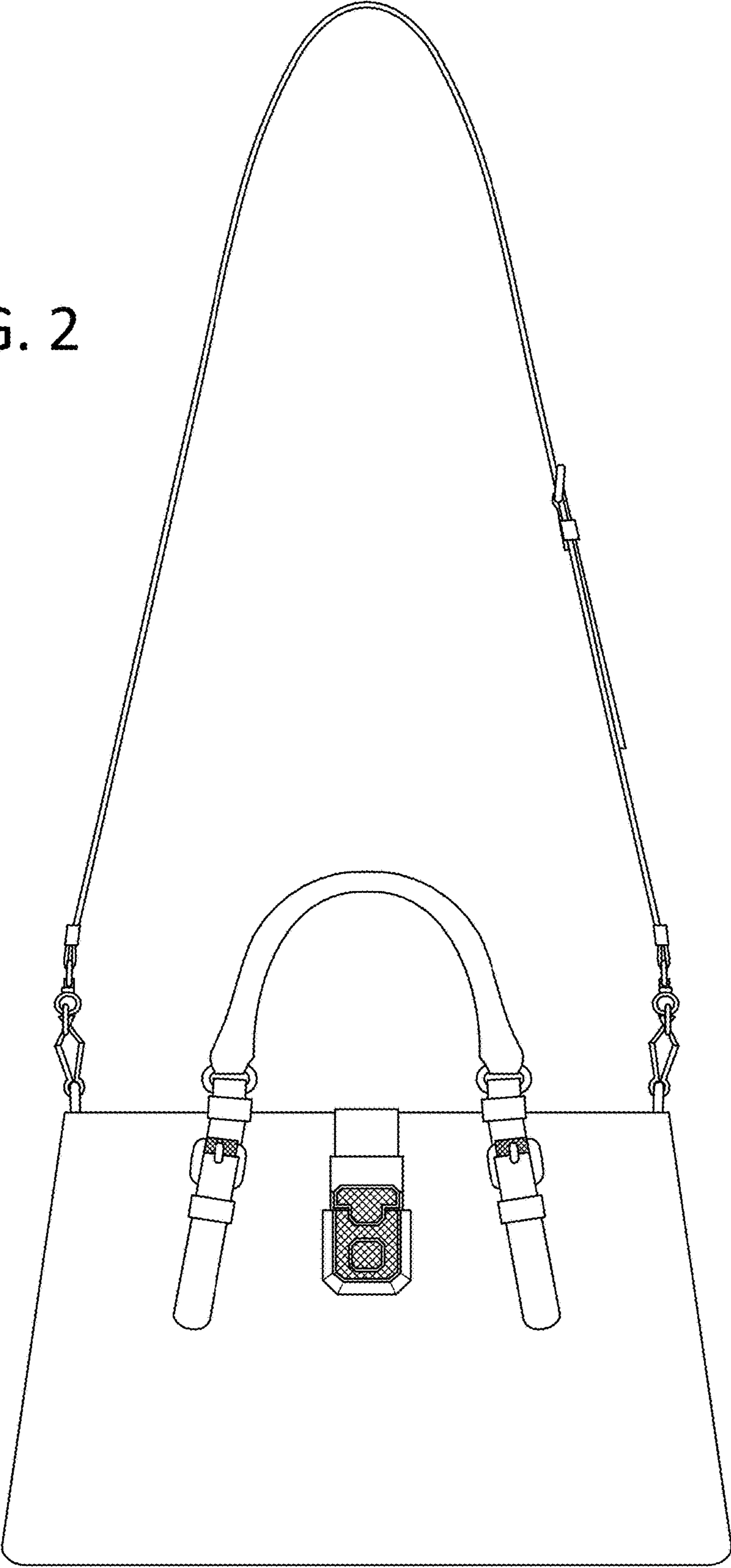


FIG. 3



FIG. 4

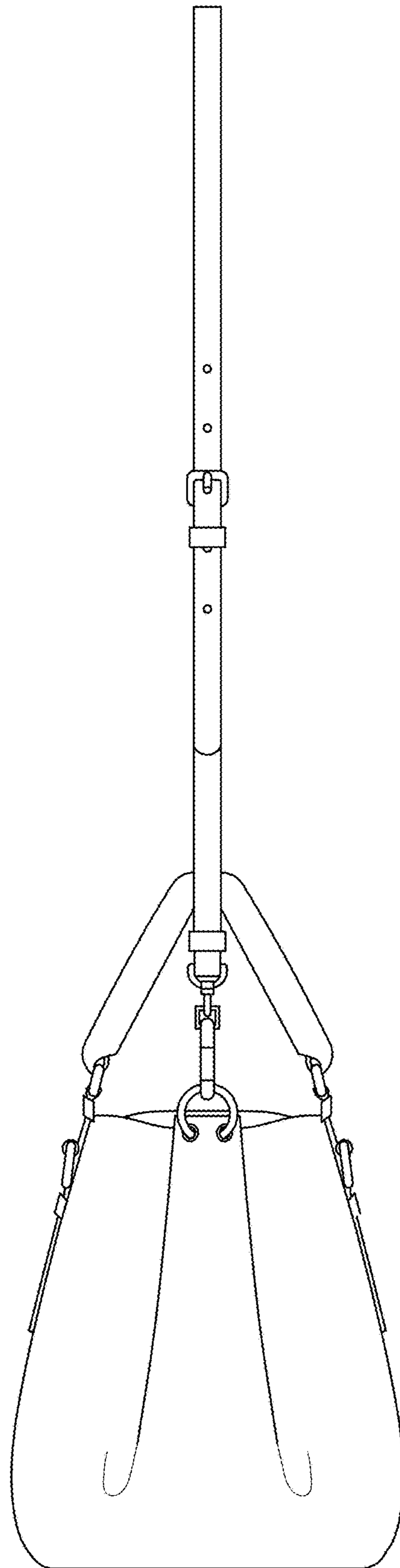
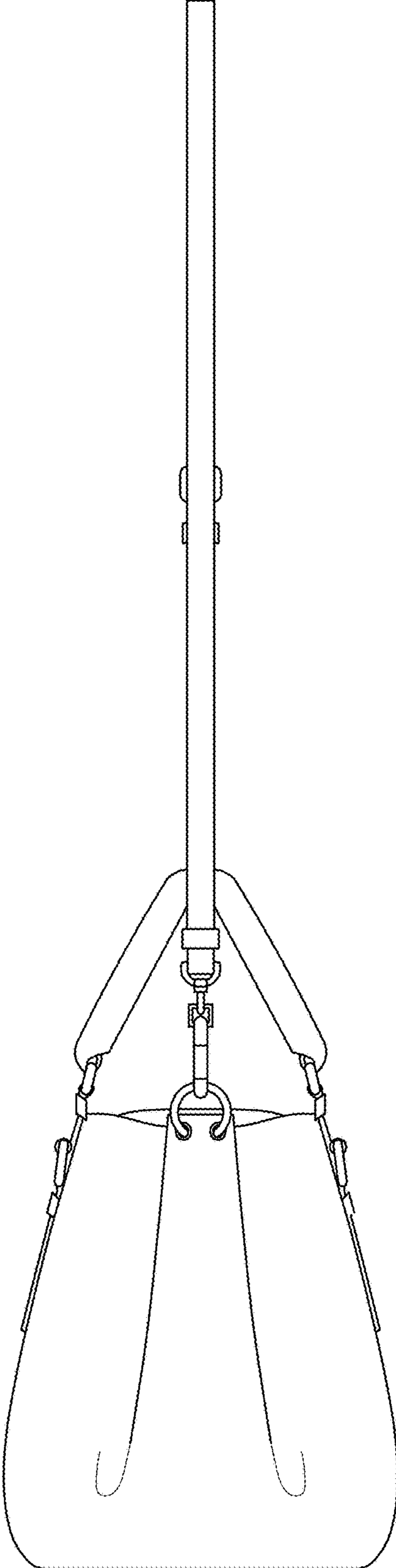


FIG. 5



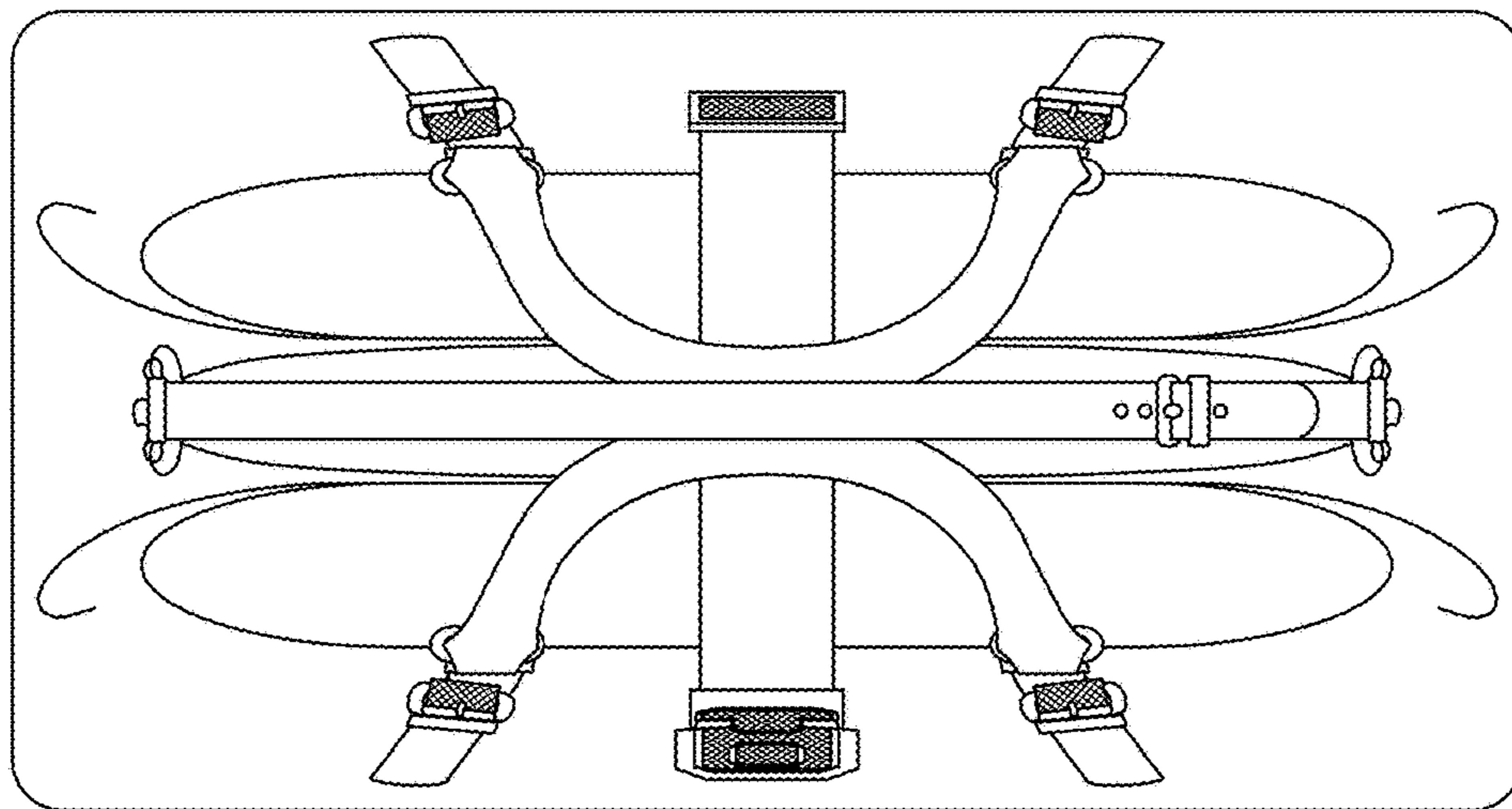


FIG. 6

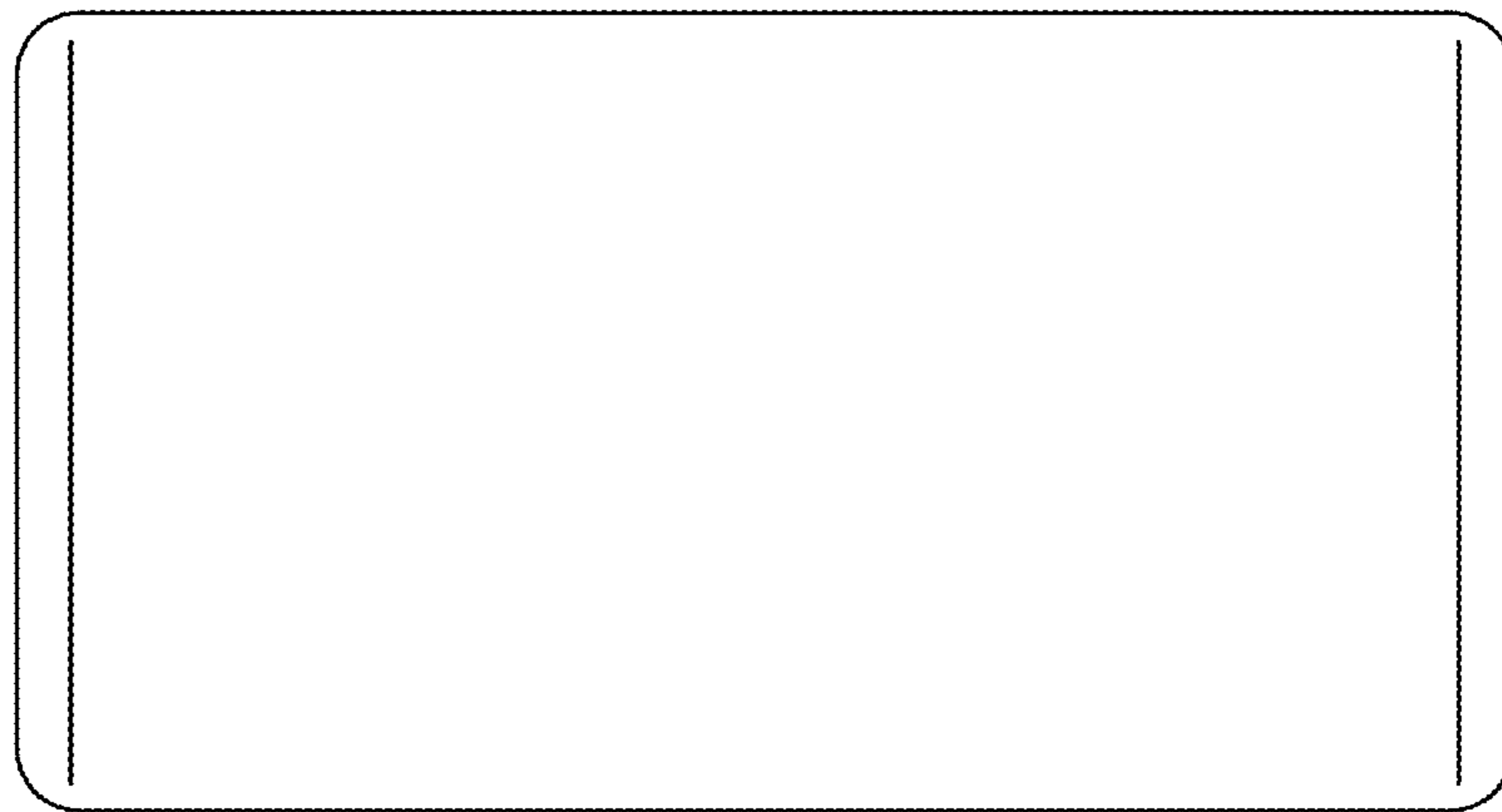


FIG. 7