

US00D866957S

(12) **United States Design Patent**
Ross et al.

(10) **Patent No.:** **US D866,957 S**

(45) **Date of Patent:** **** Nov. 19, 2019**

(54) **BELT CLIP FOR FALL DETECTION DEVICE**

(71) Applicant: **MedHab, LLC**, Mansfield, TX (US)

(72) Inventors: **Johnny Ross**, Mansfield, TX (US);
James Olinger, Crowley, TX (US)

(73) Assignee: **MedHab, LLC**, Mansfield, TX (US)

(**) Term: **15 Years**

(21) Appl. No.: **29/664,162**

(22) Filed: **Sep. 21, 2018**

(51) **LOC (12) Cl.** **03-01**

(52) **U.S. Cl.**

USPC **D3/218**

(58) **Field of Classification Search**

USPC D3/218, 215, 224, 228, 221, 226, 301,
D3/303; 224/240, 245, 605, 627, 642,
224/665, 684, 904, 673; 24/128, 200;
206/320, 497

CPC A45C 11/00; A45F 2200/0516; A45F
2005/007; A45F 2011/002; B65D 65/02;
B65D 65/38

See application file for complete search history.

(56) **References Cited**

U.S. PATENT DOCUMENTS

- 4,479,596 A * 10/1984 Swanson A45C 11/00
224/236
- 4,901,852 A * 2/1990 King B65D 65/02
206/320
- D379,712 S * 6/1997 Khoo D3/218
- D485,060 S * 1/2004 DeCotis D3/215
- D547,863 S * 7/2007 Heinsch D24/128
- D685,570 S * 7/2013 Ito D3/218
- 8,615,377 B1 12/2013 Yuen et al.
- 8,734,296 B1 5/2014 Brumback et al.
- D706,531 S 6/2014 Park et al.
- D707,041 S 6/2014 Park et al.

- 8,762,101 B2 6/2014 Yuen et al.
- 8,762,102 B2 6/2014 Yuen et al.
- 8,784,271 B2 7/2014 Brumback et al.
- 8,793,101 B2 7/2014 Yuen et al.
- D714,672 S 10/2014 Park et al.
- D715,666 S 10/2014 Park et al.
- D717,680 S 11/2014 Park et al.
- 8,892,401 B2 11/2014 Yuen et al.
- 8,909,543 B2 12/2014 Tropper et al.
- 8,920,332 B2 12/2014 Hong et al.
- 8,924,249 B2 12/2014 Tropper et al.
- D720,635 S 1/2015 Park et al.
- 8,935,119 B2 1/2015 Yuen
- 8,944,958 B1 2/2015 Brumback et al.
- 8,945,017 B2 2/2015 Venkatraman et al.
- 8,948,832 B2 2/2015 Hong et al.
- 8,954,135 B2 2/2015 Yuen et al.

(Continued)

OTHER PUBLICATIONS

www.greatcall.com, Lively Mobile Plus keeps you safe at home or on the go. (Year: 2019).*

Primary Examiner — Catherine R Oliver-Garcia
(74) *Attorney, Agent, or Firm* — Eric Karich; Karich & Associates

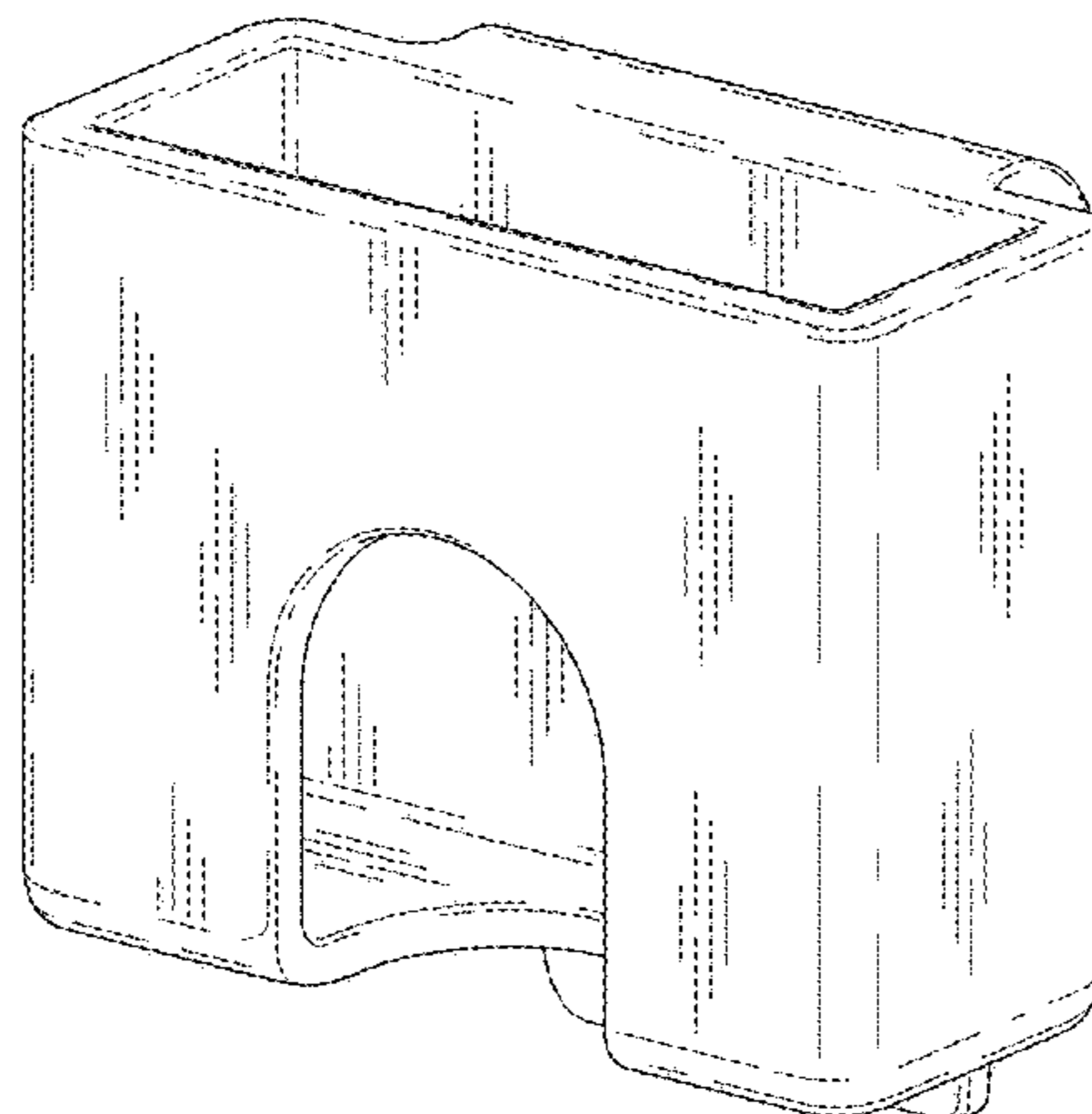
(57) **CLAIM**

The ornamental design for a belt clip for fall detection device, as shown and described.

DESCRIPTION

FIG. 1 is a front and right side perspective view of a belt clip for fall detection device showing the new design; FIG. 2 is a front elevational view thereof; FIG. 3 is a rear elevational view thereof; FIG. 4 is a left side elevational view thereof; FIG. 5 is a right side elevational view thereof; FIG. 6 is a top plan view thereof; and, FIG. 7 is a bottom plan view thereof.

1 Claim, 2 Drawing Sheets



(56)

References Cited

U.S. PATENT DOCUMENTS

8,956,303 B2	2/2015	Hong et al.	9,728,059 B2	8/2017	Arnold et al.
D727,183 S	4/2015	Park et al.	D800,596 S	10/2017	Ling et al.
D727,759 S	4/2015	Martinez et al.	9,801,547 B2	10/2017	Yuen et al.
8,998,815 B2	4/2015	Venkatraman et al.	D802,452 S	11/2017	Paschke et al.
9,005,129 B2	4/2015	Venkatraman et al.	D802,453 S	11/2017	Page et al.
9,026,927 B2	5/2015	Brumback et al.	D802,454 S	11/2017	Paschke et al.
9,113,794 B2	8/2015	Hong et al.	D803,077 S	11/2017	Paschke et al.
9,113,795 B2	8/2015	Hong et al.	9,808,185 B2	11/2017	Arnold et al.
9,237,855 B2	1/2016	Hong et al.	D804,334 S	12/2017	Becker et al.
D749,002 S	2/2016	Park et al.	D805,418 S	12/2017	Lowe et al.
9,307,917 B2	4/2016	Hong et al.	9,851,808 B2	12/2017	Yuen et al.
D759,516 S	6/2016	Ling et al.	D806,599 S	1/2018	Nielsen et al.
D759,826 S	6/2016	Martinez et al.	D807,219 S	1/2018	Ling et al.
D766,758 S	9/2016	Park et al.	9,880,157 B2	1/2018	Levak et al.
9,456,787 B2	10/2016	Venkatraman et al.	D809,955 S	2/2018	Ling et al.
D777,590 S	1/2017	Nielsen et al.	D813,695 S	3/2018	Nielsen et al.
9,655,548 B2	5/2017	Hong et al.	D817,920 S	5/2018	Paschke et al.
D790,374 S	6/2017	Lean et al.	D821,245 S	6/2018	Lowe et al.
D790,994 S	7/2017	Nielsen et al.	D821,247 S	6/2018	Lean et al.
			D822,526 S	7/2018	Lean et al.
			1,001,075 A1	7/2018	Tropper et al.
			D854,311 S *	7/2019	Burns D3/215

* cited by examiner

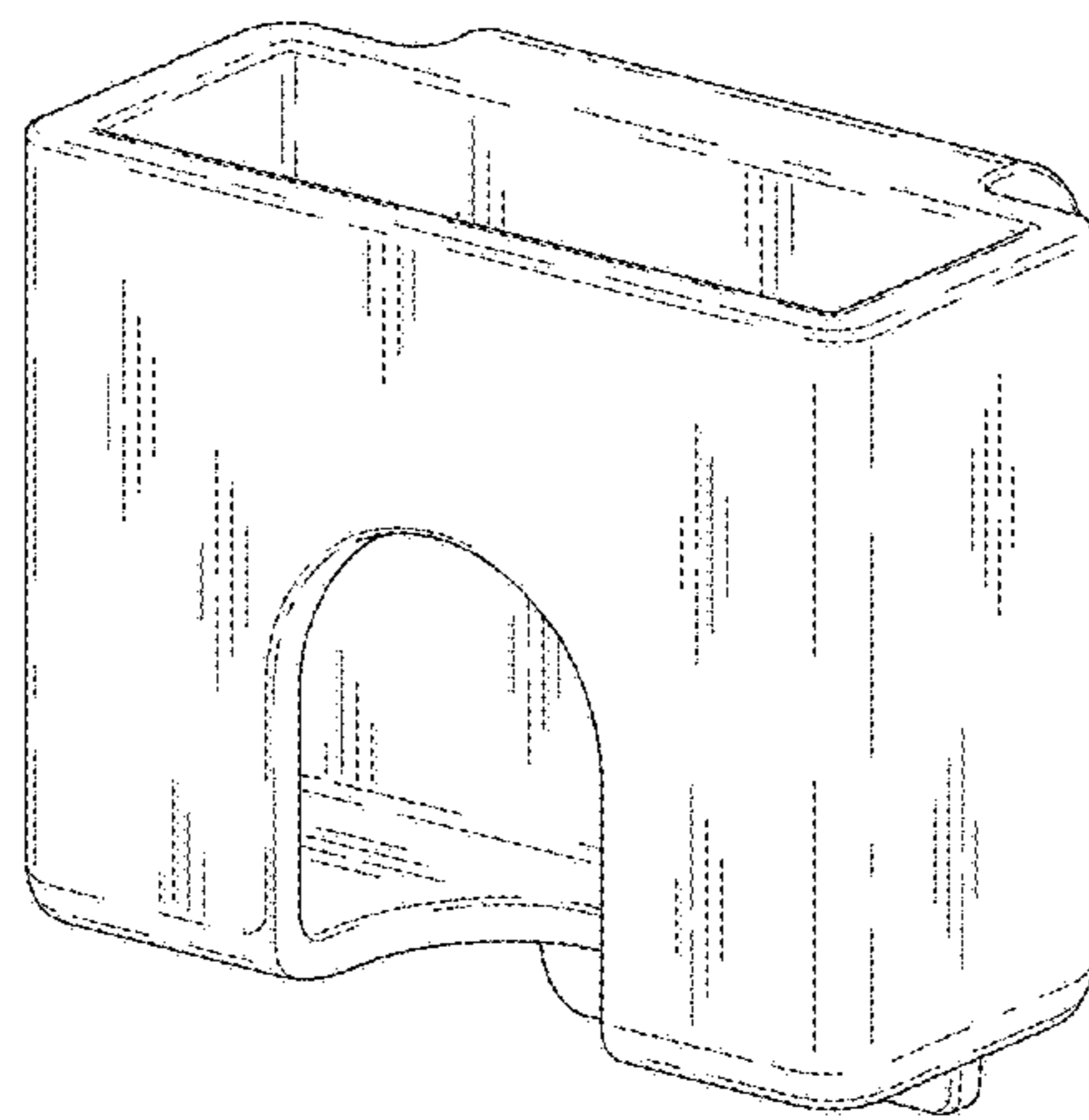


Fig. 1

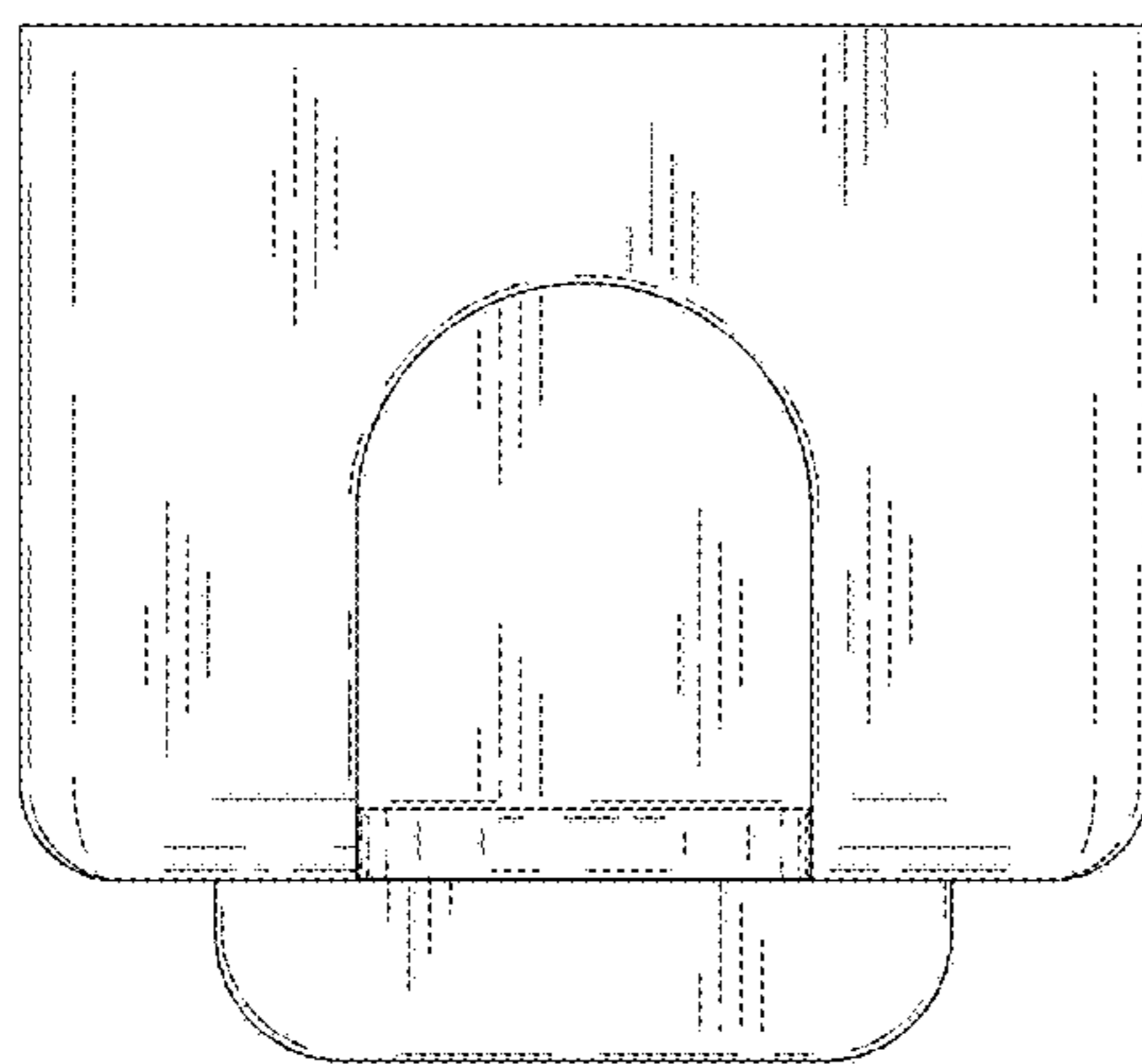


Fig. 2

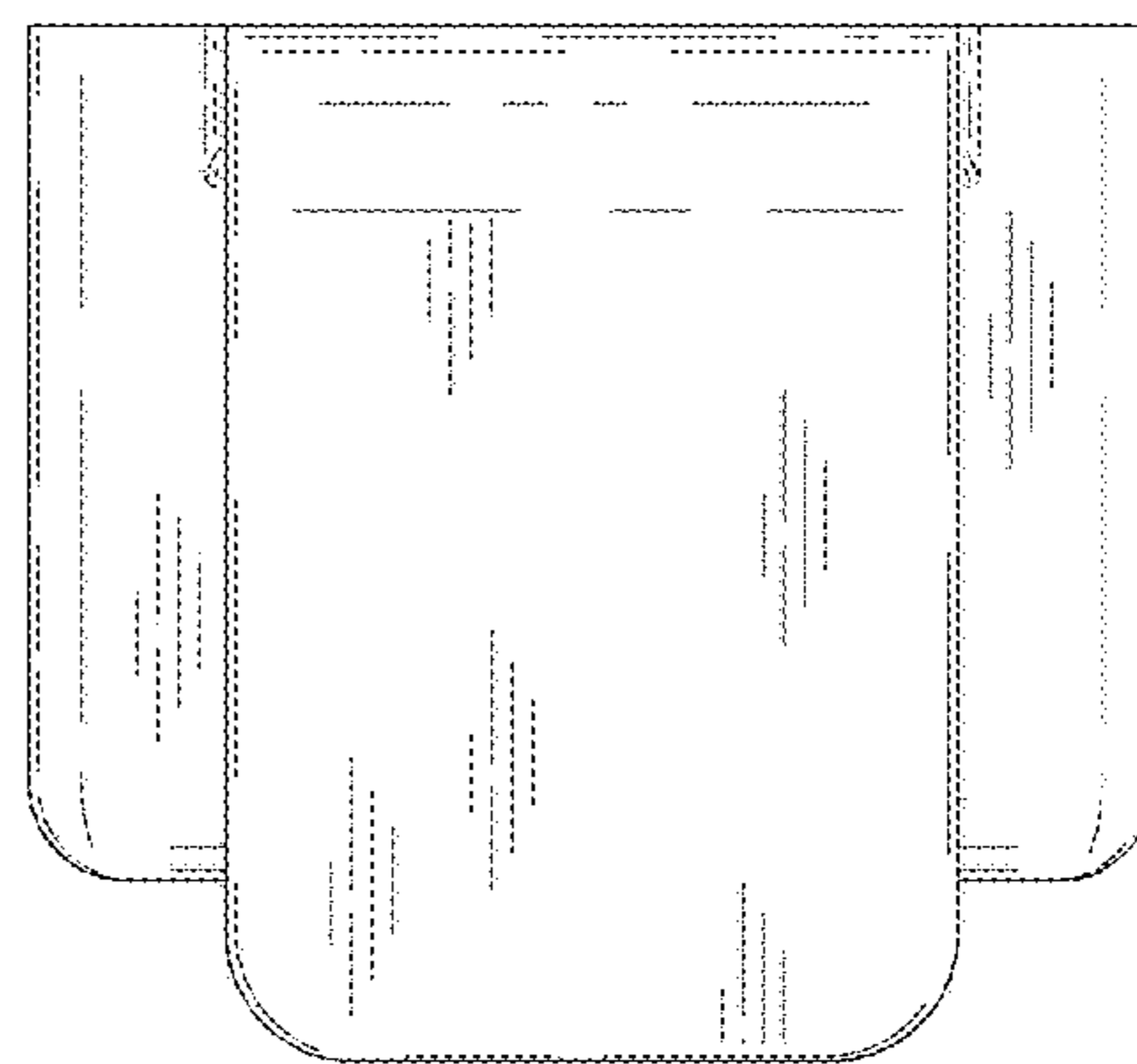


Fig. 3

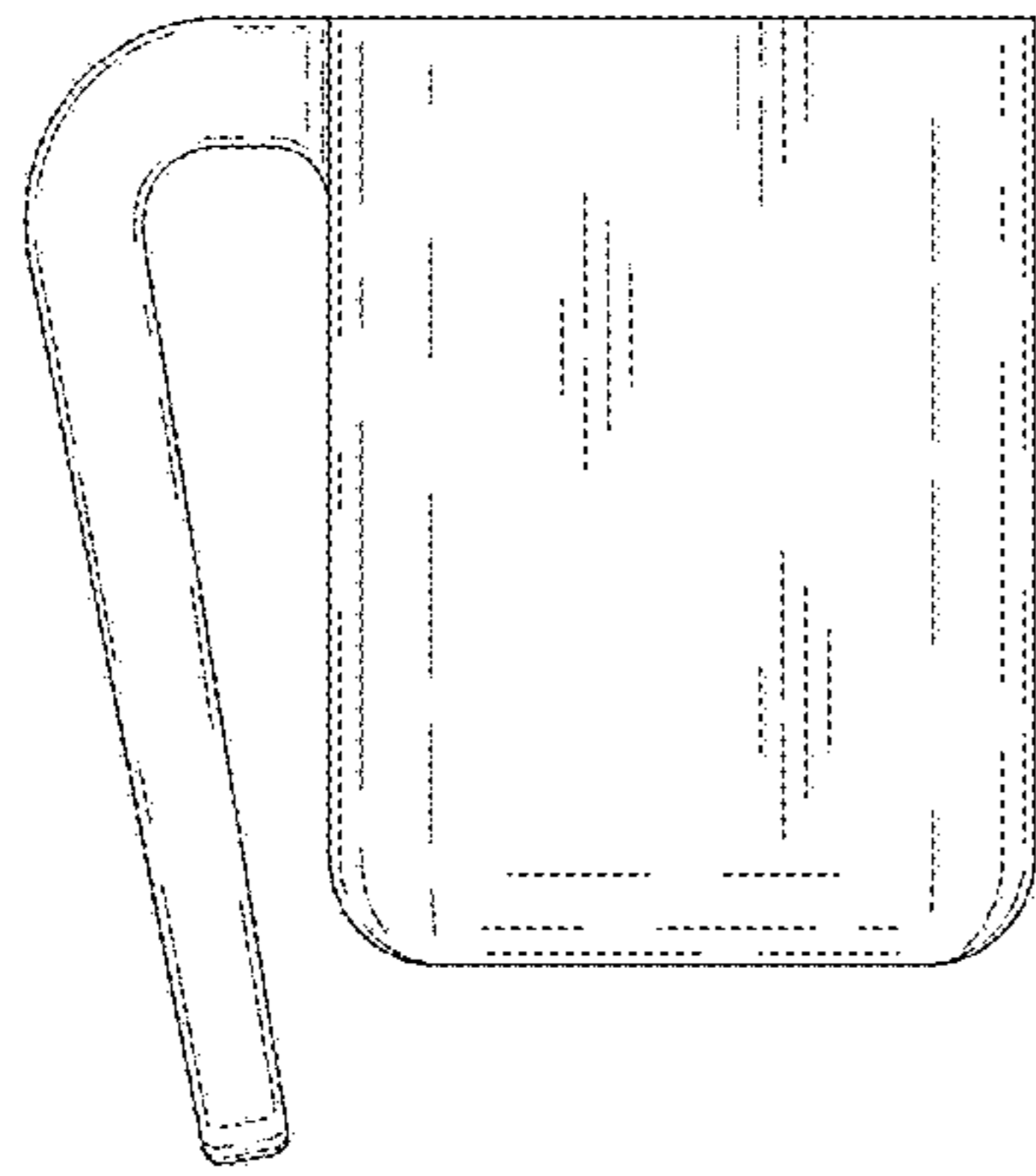


Fig. 4

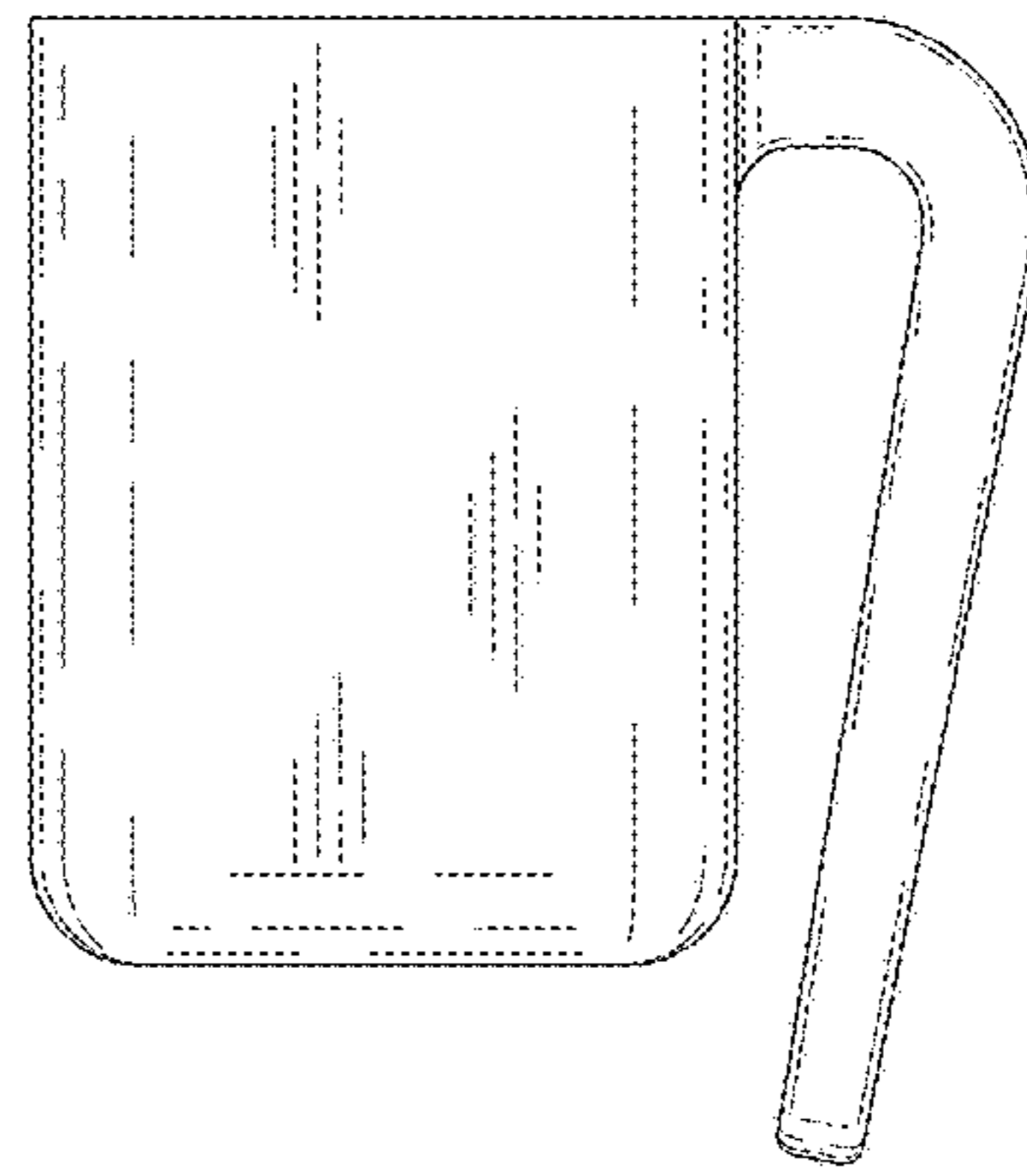


Fig. 5

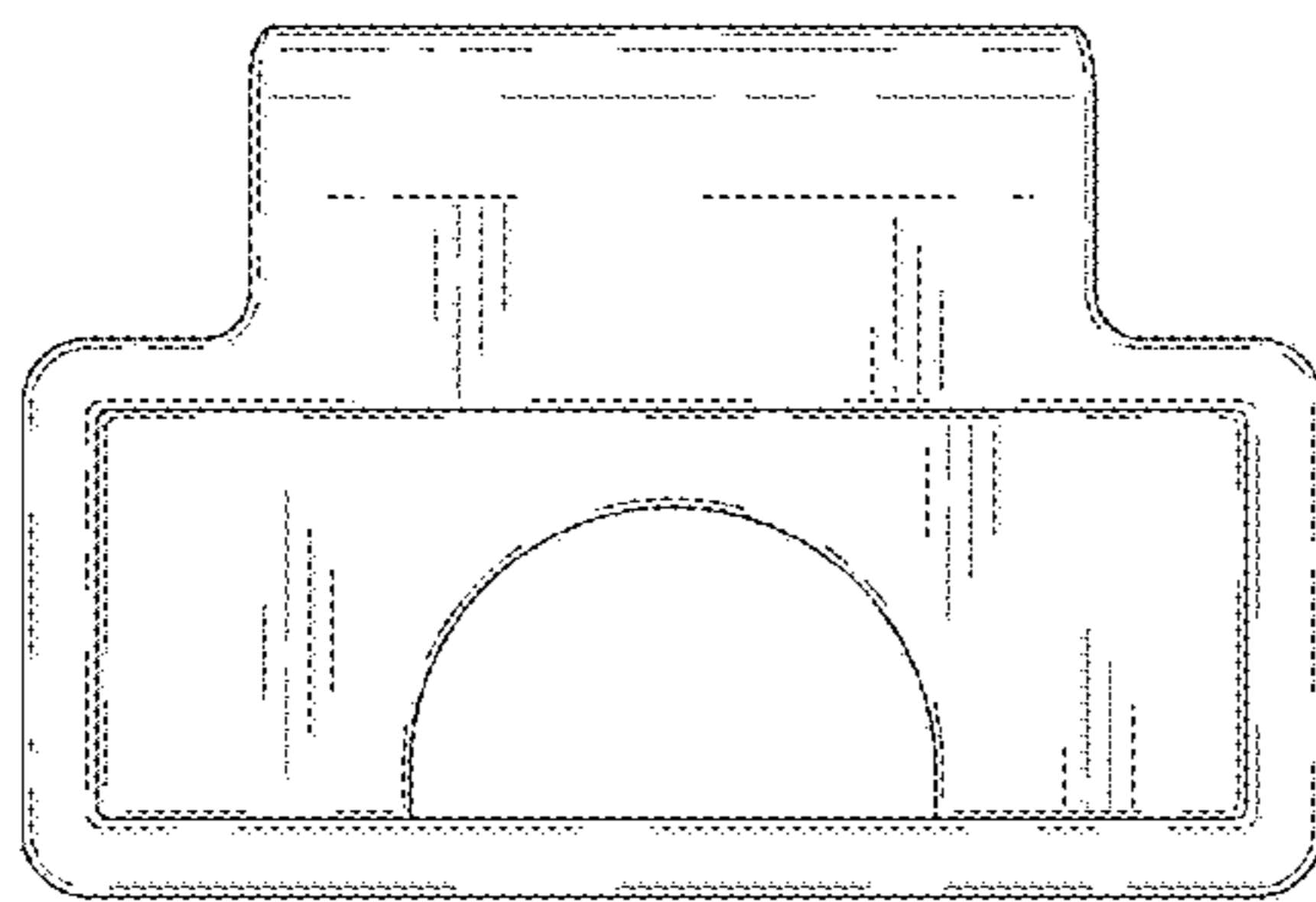


Fig. 6

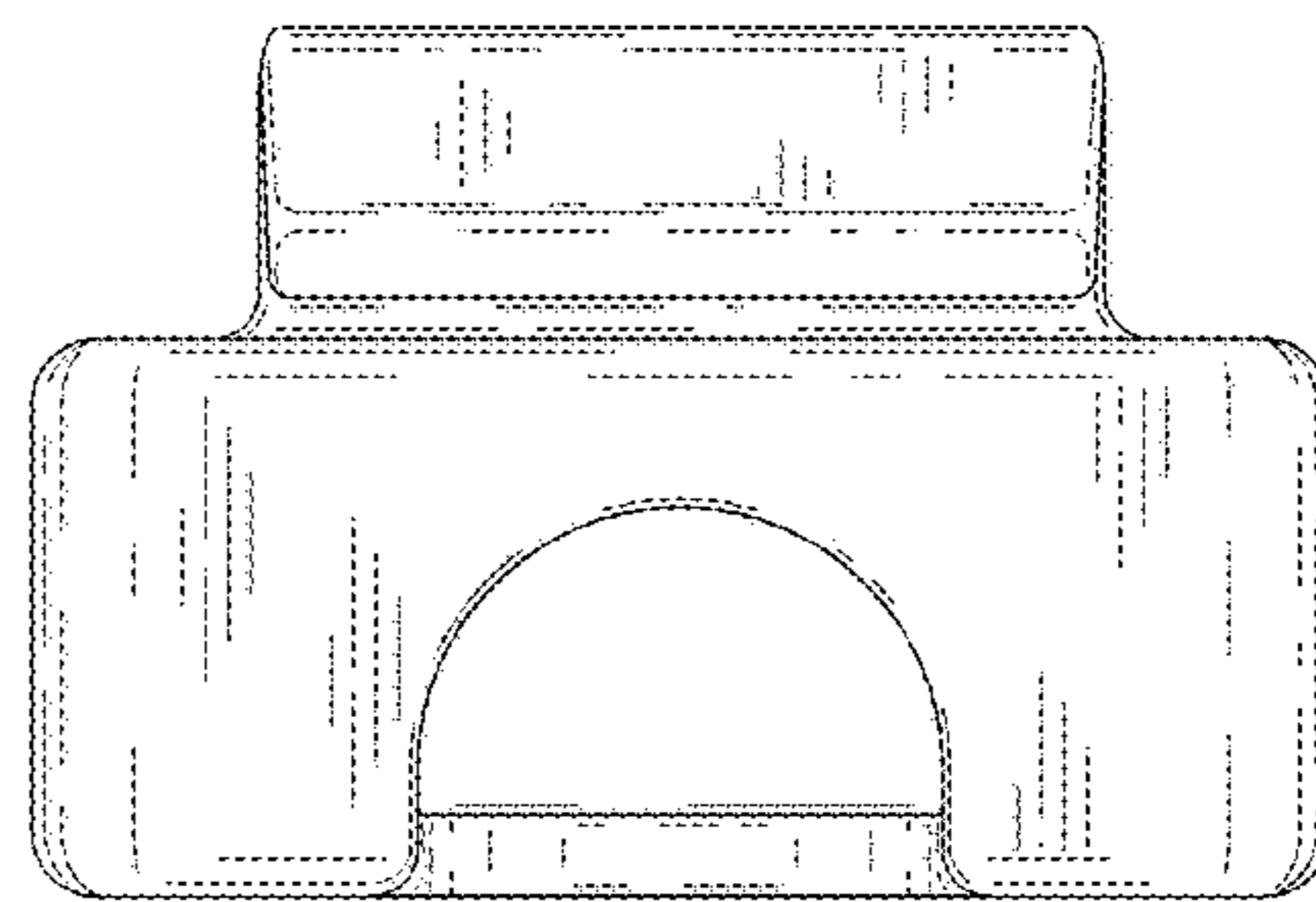


Fig. 7