



US00D866953S

(12) **United States Design Patent**
Zhipeng

(10) **Patent No.:** **US D866,953 S**

(45) **Date of Patent:** **** Nov. 19, 2019**

(54) **LANYARD REEL CASE**

(71) Applicant: **Precision Dynamics Corporation,**
Valencia, CA (US)

(72) Inventor: **Hong Zhipeng,** Xiamen (CN)

(73) Assignee: **Precision Dynamics Corporation,**
Valencia, CA (US)

(**) Term: **15 Years**

(21) Appl. No.: **29/630,133**

(22) Filed: **Dec. 19, 2017**

(51) **LOC (12) Cl.** **03-01**

(52) **U.S. Cl.**
USPC **D3/207**

(58) **Field of Classification Search**
USPC D3/207-212, 201, 218, 247, 269, 272,
D3/301, 303; D8/38; 24/3.6; D11/1-3,
D11/14, 26-29, 89-92, 44, 48, 51, 79-86,
D11/99-101, 95-99, 103, 110, 116, 200,
D11/202; D14/250, 238.1, 440,
D14/203.3-203.7, 217, 240, 248,
D14/251-253, 341-347, 444, 447, 496;
D13/103, 107-108, 119; 248/176.3,
248/188.8, 309.1, 371, 668; 361/220,
361/379.01, 679.01, 679.02, 679.09,
361/679.21, 679.25, 679.3, 679.4, 679.56,
361/679.57, 759, 807, 816; 379/433.11,
379/451, 455; 455/556.1, 557, 566,
455/575.1, 575.2, 575.8; 206/37, 37.5,
206/45.2, 305, 320, 216, 205; 320/108,
320/115; 429/96; 220/4.02; 150/165;
174/50; 235/41, 375, 462; 312/223.1;
396/535; 63/26-28, 32; 70/456 B;
D10/64

CPC A47G 29/10; A45C 11/32
See application file for complete search history.

(56) **References Cited**

U.S. PATENT DOCUMENTS

D214,819 S * 7/1969 Goldberg D6/634
D242,607 S * 12/1976 Covey D10/72
D273,722 S * 5/1984 Brentini D3/207
D283,033 S * 3/1986 Berg D18/15

(Continued)

OTHER PUBLICATIONS

Brady People ID introduces the SlimReel System, an innovative card-carrying accessory, BradyPeopleID.com, Apr. 11, 2018, [online], [site visited Apr. 15, 2019]. <URL: https://www.bradypeopleid.com/2018/04/brady-people-id-introduces-the-slimreel-system-an-innovative-card-car (Year: 2018).*

(Continued)

Primary Examiner — T Chase Nelson

Assistant Examiner — Jonathan J. Han

(74) *Attorney, Agent, or Firm* — Quarles & Brady LLP

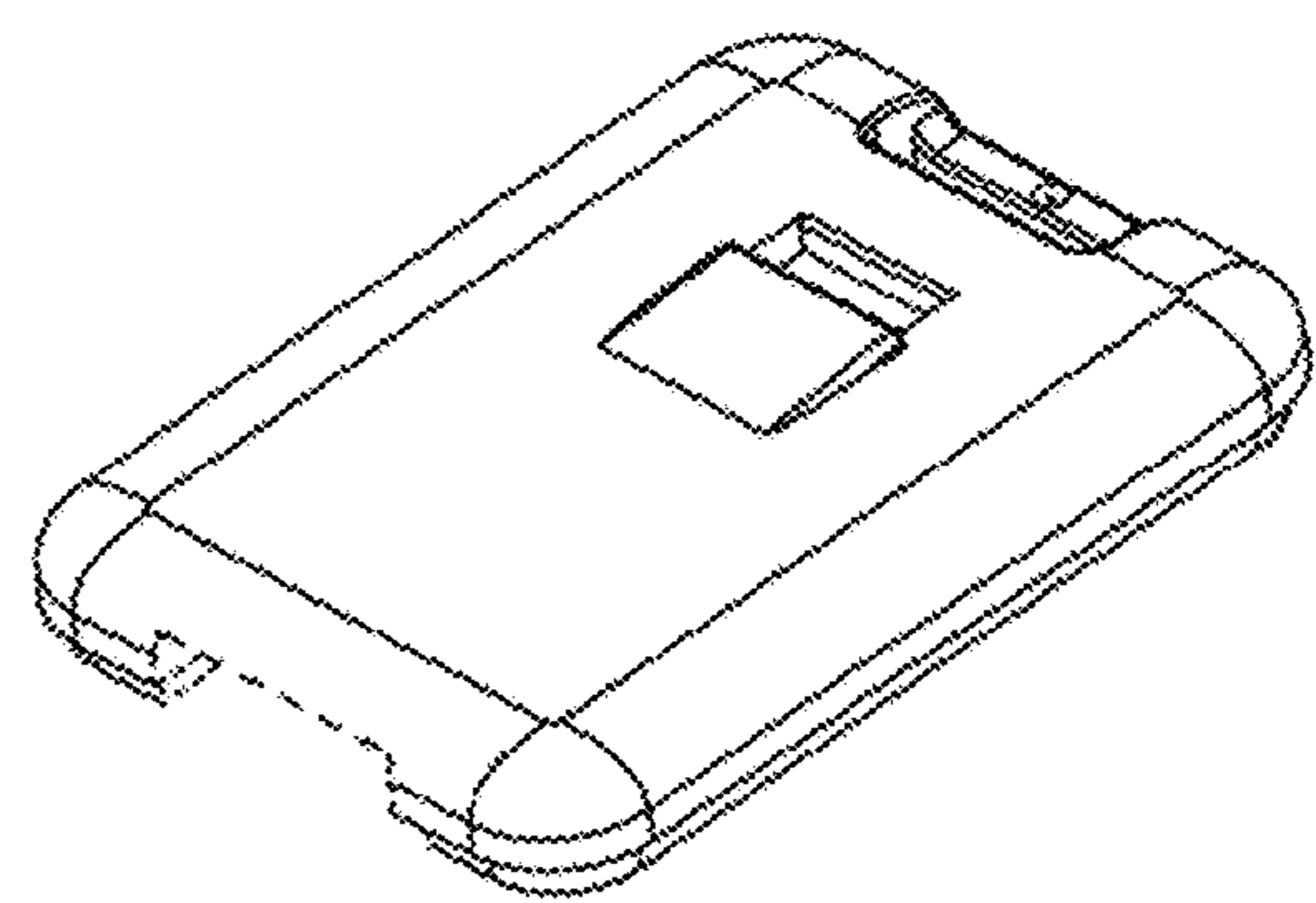
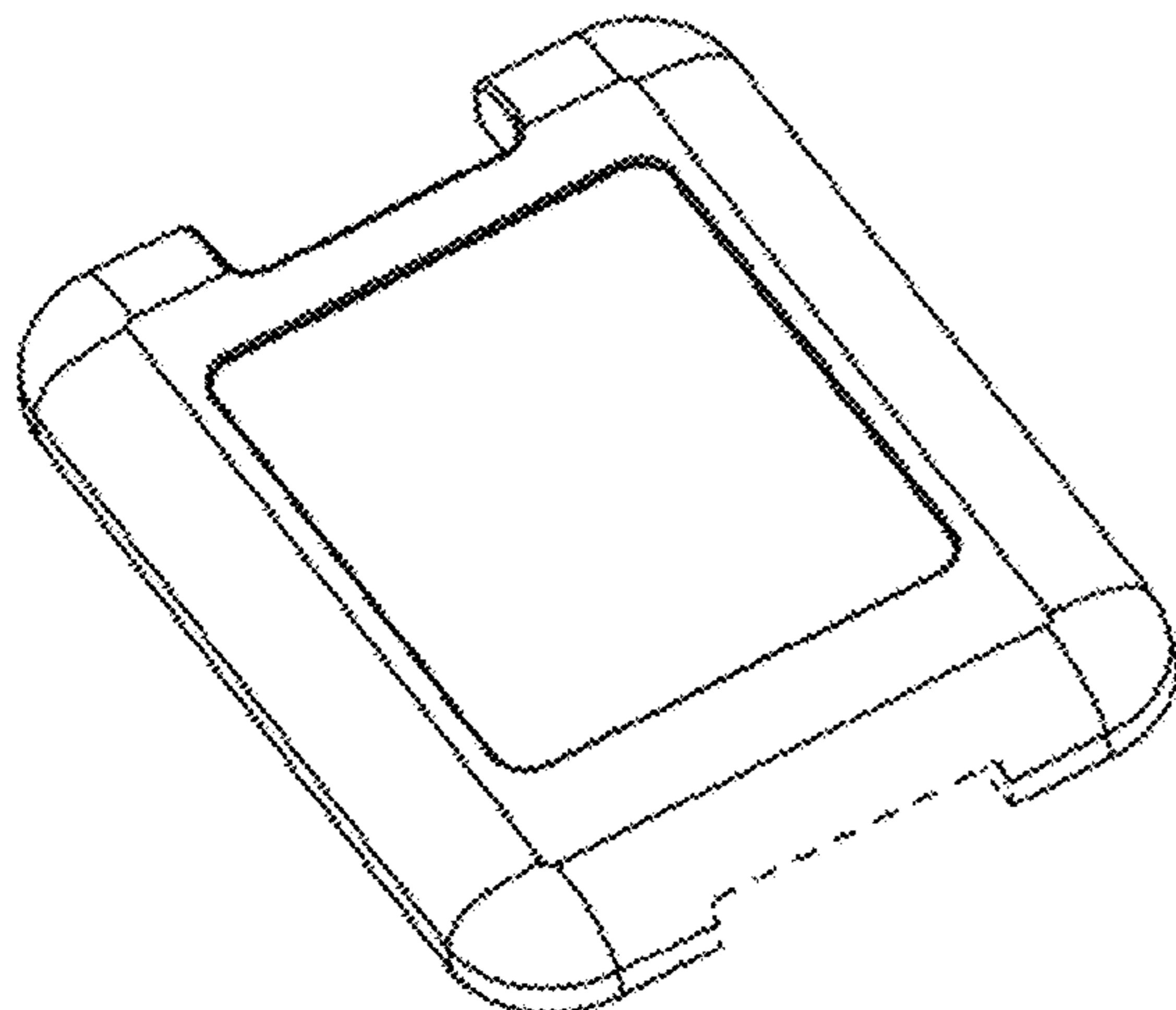
(57) **CLAIM**

The ornamental design for a lanyard reel case, as shown and described.

DESCRIPTION

FIG. 1 is a bottom, side perspective view of the outer face of the front cover;
FIG. 2 is a front view of the outer face of the front cover;
FIG. 3 is a right side view of the front cover, the left side view being a mirror image thereof;
FIG. 4 is a bottom end view of the front cover;
FIG. 5 is a bottom, side perspective view of the outer face of the rear cover;
FIG. 6 is a front view of the outer face of the rear cover;
FIG. 7 is a right side view of the rear cover, the left side view being a mirror image thereof; and,
FIG. 8 is a bottom end view of the rear cover.
The broken lines in the views are for illustrating unclaimed portions only and form no part of the claimed design.

1 Claim, 3 Drawing Sheets



(56)

References Cited

U.S. PATENT DOCUMENTS

D293,287 S * 12/1987 Cauque D10/31
 D317,078 S * 5/1991 Niles D3/282
 D324,954 S * 3/1992 Lewis D20/27
 D364,734 S * 12/1995 Ben-Zeev D3/208
 D365,600 S * 12/1995 Martin D20/18
 D393,148 S * 4/1998 Petruzzi D3/208
 5,850,754 A * 12/1998 Dobbins A44B 15/005
 70/456 R
 D448,157 S * 9/2001 Wright D3/208
 D454,650 S * 3/2002 Lodge D26/46
 D456,600 S * 5/2002 Gadson D3/208
 6,669,017 B2 * 12/2003 Linihan A44B 15/005
 206/305
 D550,952 S * 9/2007 Rimon D3/207
 D580,818 S * 11/2008 Ohta D11/207
 D589,390 S * 3/2009 Tang D10/128
 D604,040 S * 11/2009 Fleming D3/207
 D611,366 S * 3/2010 Register D10/65
 D632,984 S * 2/2011 Register D10/65
 D634,117 S * 3/2011 Morrish D3/207
 D666,408 S * 9/2012 Neely, III D3/208
 D726,174 S * 4/2015 Wahlin D14/250
 D755,506 S * 5/2016 Neely, III D3/208

D815,626 S * 4/2018 Clover D14/242
 D819,008 S * 5/2018 Satzger D14/250
 D827,305 S * 9/2018 Cheng D3/321
 D836,643 S * 12/2018 Cadogan D14/440
 D838,107 S * 1/2019 Daly D3/304
 D840,333 S * 2/2019 Cooper D13/103
 D842,154 S * 3/2019 Dimitriadis D10/106.2
 D842,724 S * 3/2019 Vandenbussche D10/70
 D843,868 S * 3/2019 Henne D10/98
 D844,570 S * 4/2019 Kornacki D13/162

OTHER PUBLICATIONS

TMC Aluminum Lanyard Ring Mount for GoPro Hero 3+- Silver, RedWolfAirsoft.com, [online], [site visited Apr. 15, 2019]. <URL: http://www.redwolfairsoft.com/redwolf/airsoft/Combat_Gear_GoPro_Accessories_TMCCBG_GP_0_25_0002.htm> (Year: 2019).*

The SlimReel System, YouTube.com, Published on Mar. 4, 2019, [online], [site visited Apr. 15, 2019]. <URL: https://www.youtube.com/watch?v=jvvG_Z19dHc> (Year: 2019).*

Custom Square Badge-Reel, Pdc-Big.com, [online], [site visited Apr. 15, 2019]. <URL: <https://www.pdc-big.com/custom-badge-reels-530-i-xxx-xx-pdg-i>> (Year: 2019).*

* cited by examiner

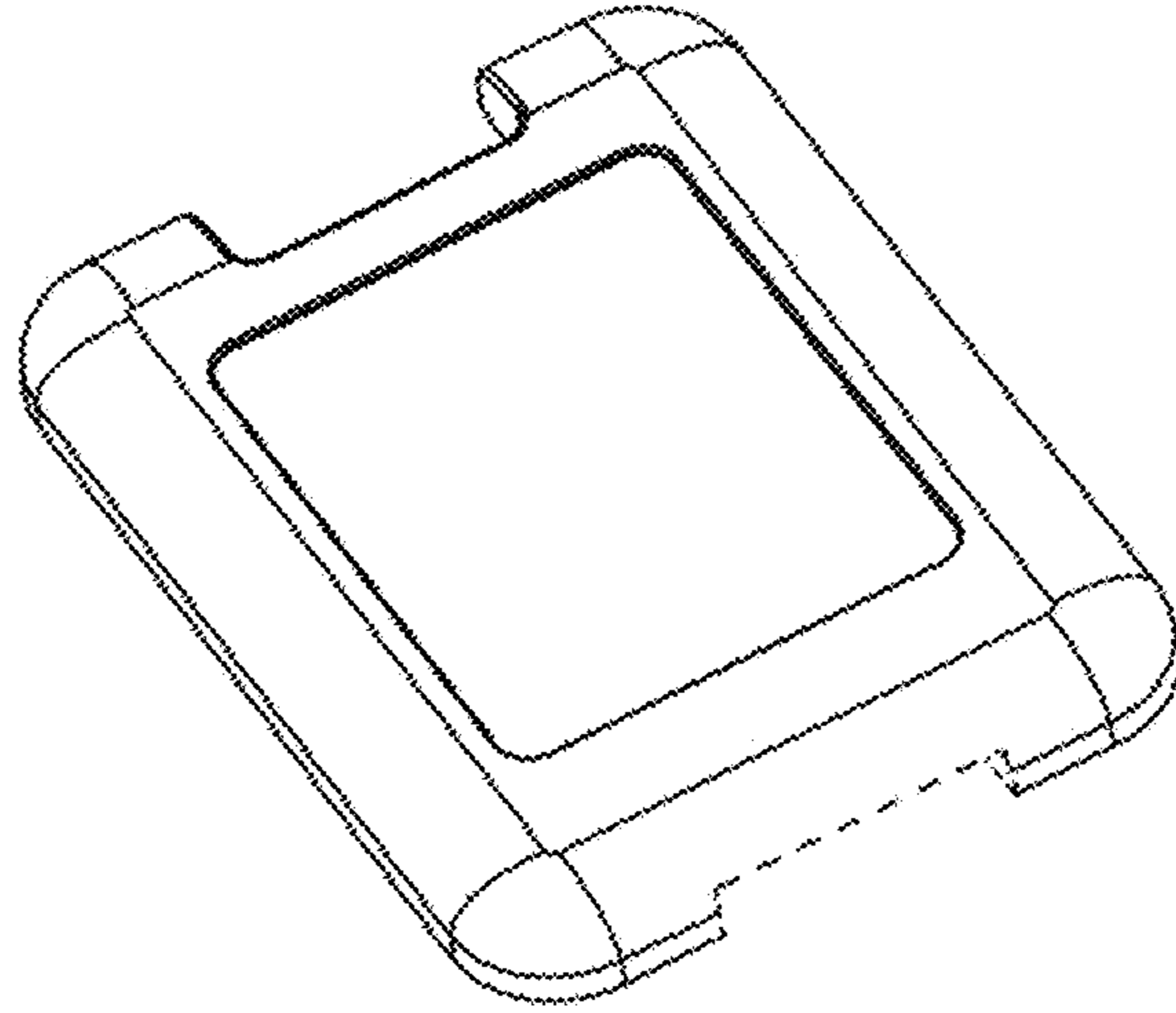


FIG. 1

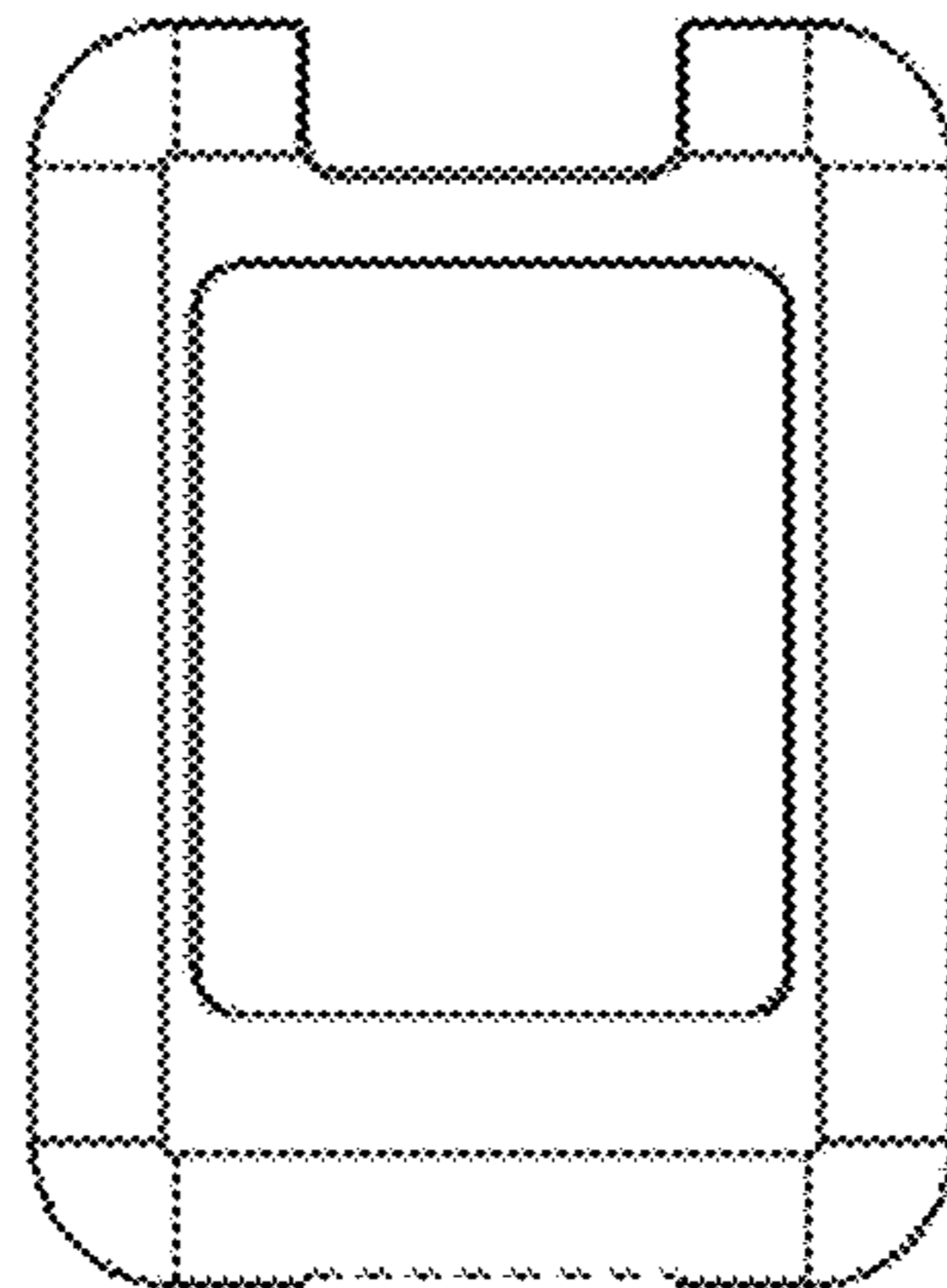


FIG. 2



FIG. 3

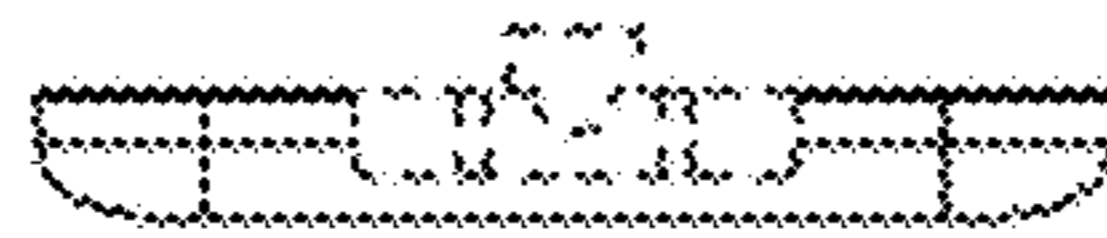


FIG. 4

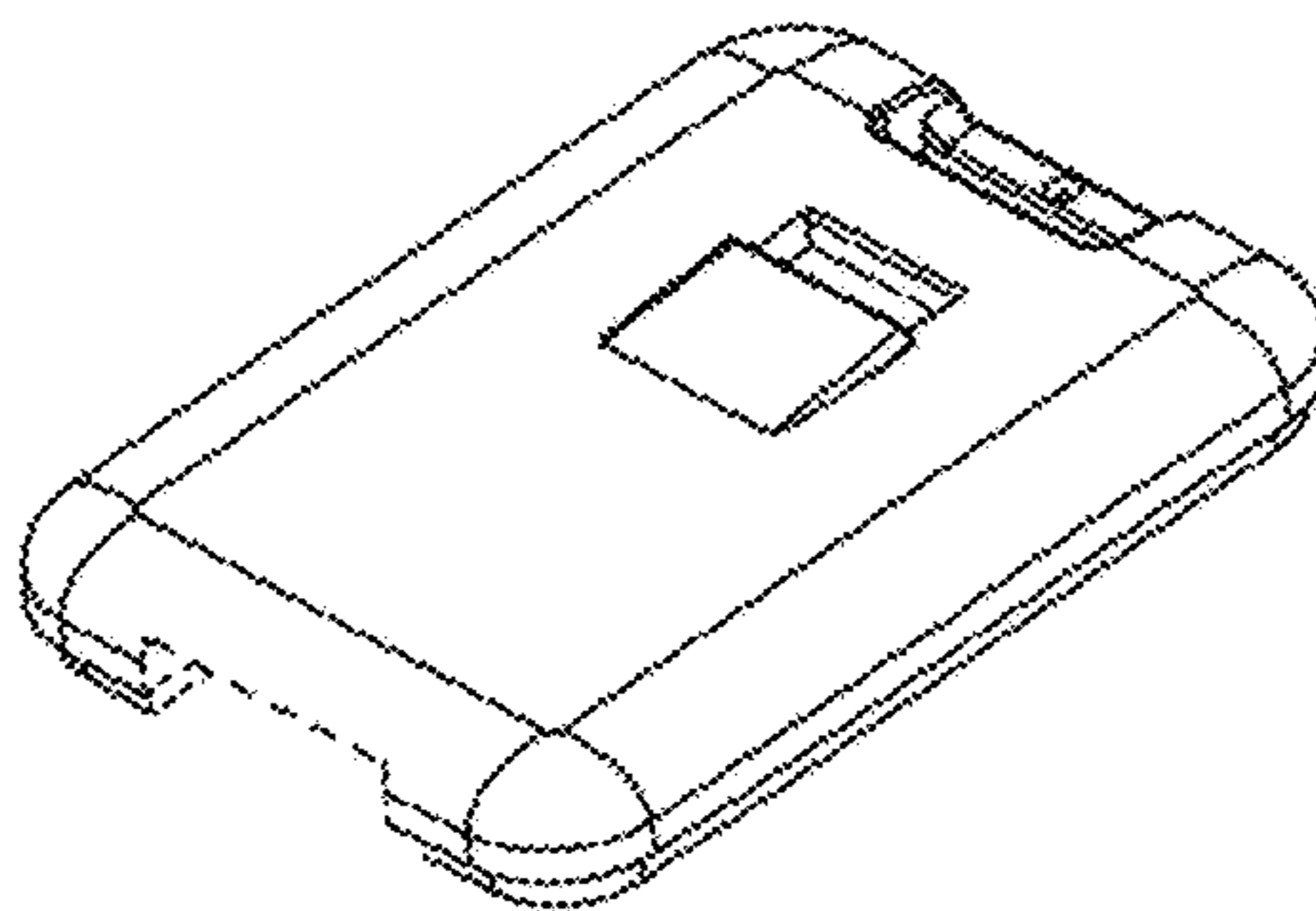


FIG. 5

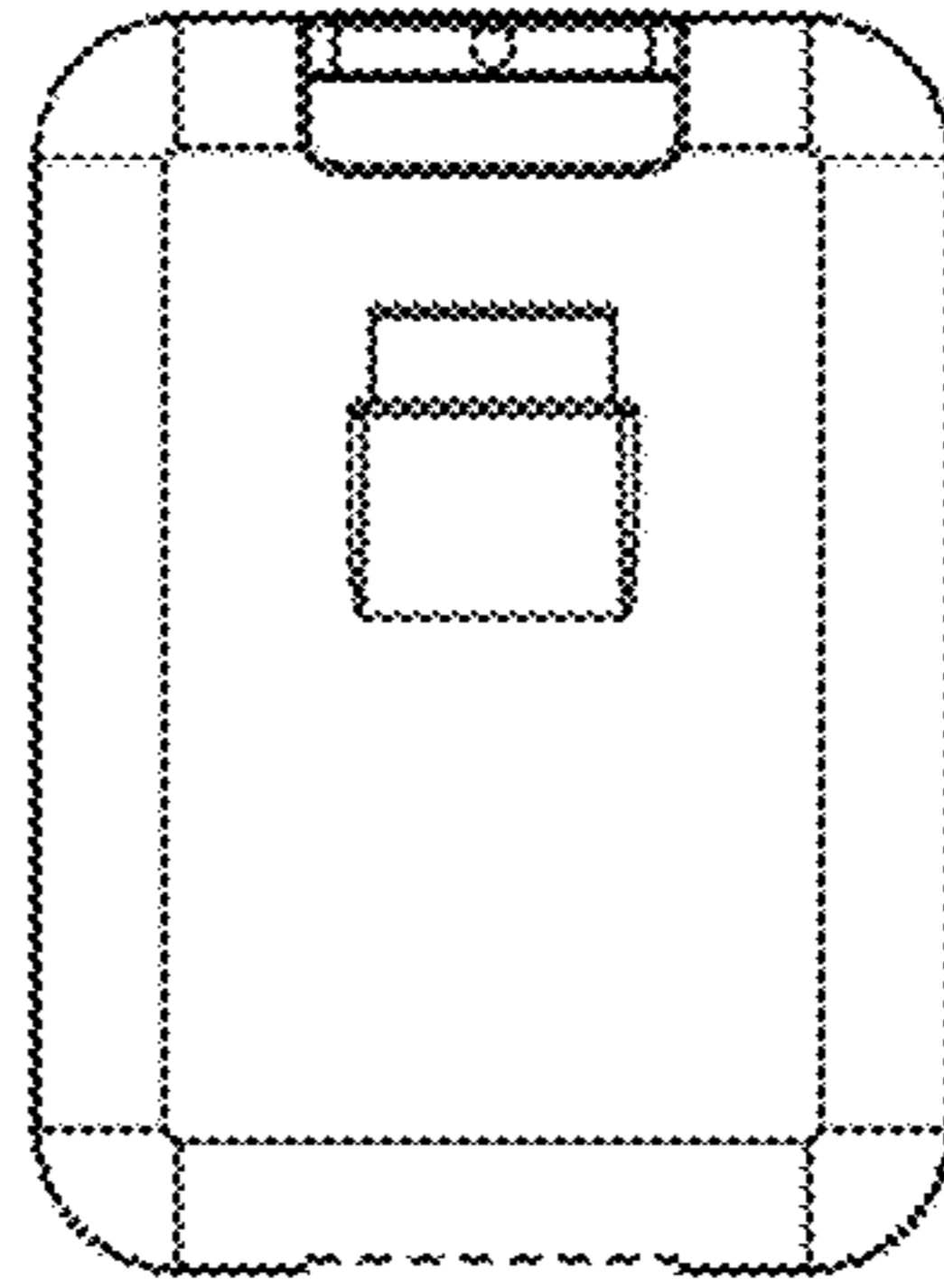


FIG. 6

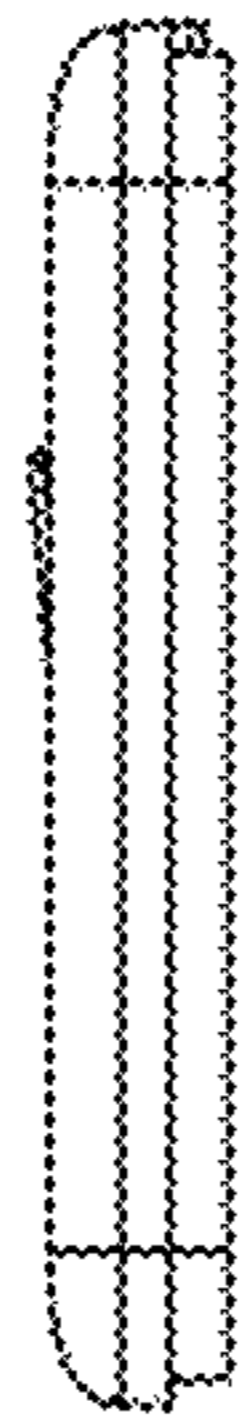


FIG. 7

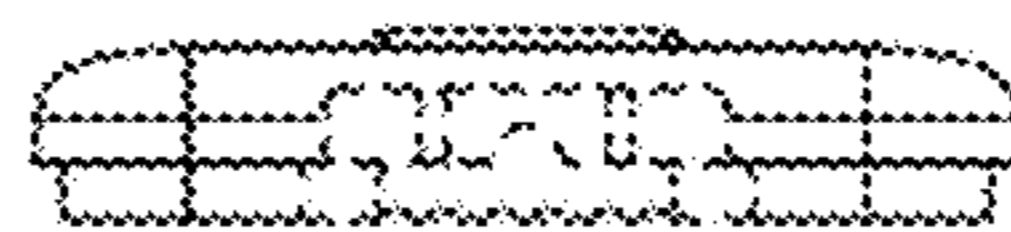


FIG. 8