



US00D866951S

(12) **United States Design Patent** (10) **Patent No.:** **US D866,951 S**
Evancho (45) **Date of Patent:** **** Nov. 19, 2019**

- (54) **MULTI-CONFIGURABLE TOTE BAG/SAC**
- (71) Applicant: **Kragsac LLC**, New York, NY (US)
- (72) Inventor: **Mary Evancho**, New York, NY (US)
- (73) Assignee: **Kragsac LLC**, New York, NY (US)
- (**) Term: **15 Years**
- (21) Appl. No.: **29/642,185**
- (22) Filed: **Mar. 28, 2018**

Related U.S. Application Data

- (63) Continuation of application No. 29/641,861, filed on Mar. 26, 2018.
- (51) **LOC (12) Cl.** **03-01**
- (52) **U.S. Cl.**
USPC **D3/201**
- (58) **Field of Classification Search**
USPC D3/201, 207, 208, 215, 226, 228, 229,
D3/230, 269, 273, 290, 299, 303, 304,
D3/316, 318; D9/702, 703, 705
CPC B65D 83/384; F41H 9/10
See application file for complete search history.

(56) **References Cited**

U.S. PATENT DOCUMENTS

D497,050 S *	10/2004	Grambush	D3/246
D588,353 S *	3/2009	Khubani	D3/201
D637,809 S *	5/2011	Meldeau	D3/232
D717,040 S *	11/2014	Swartzel	D3/232
D720,131 S *	12/2014	Siegel	D3/233
D739,654 S *	9/2015	Brouard	D3/276
D751,815 S *	3/2016	Pedrazzi	D3/245
D758,731 S *	6/2016	Noh	D3/304
D776,929 S *	1/2017	Noh	D3/315

(Continued)

Primary Examiner — Holly E Thurman

(57) **CLAIM**

The ornamental design for a multi-configurable tote bag/sac, as shown and described.

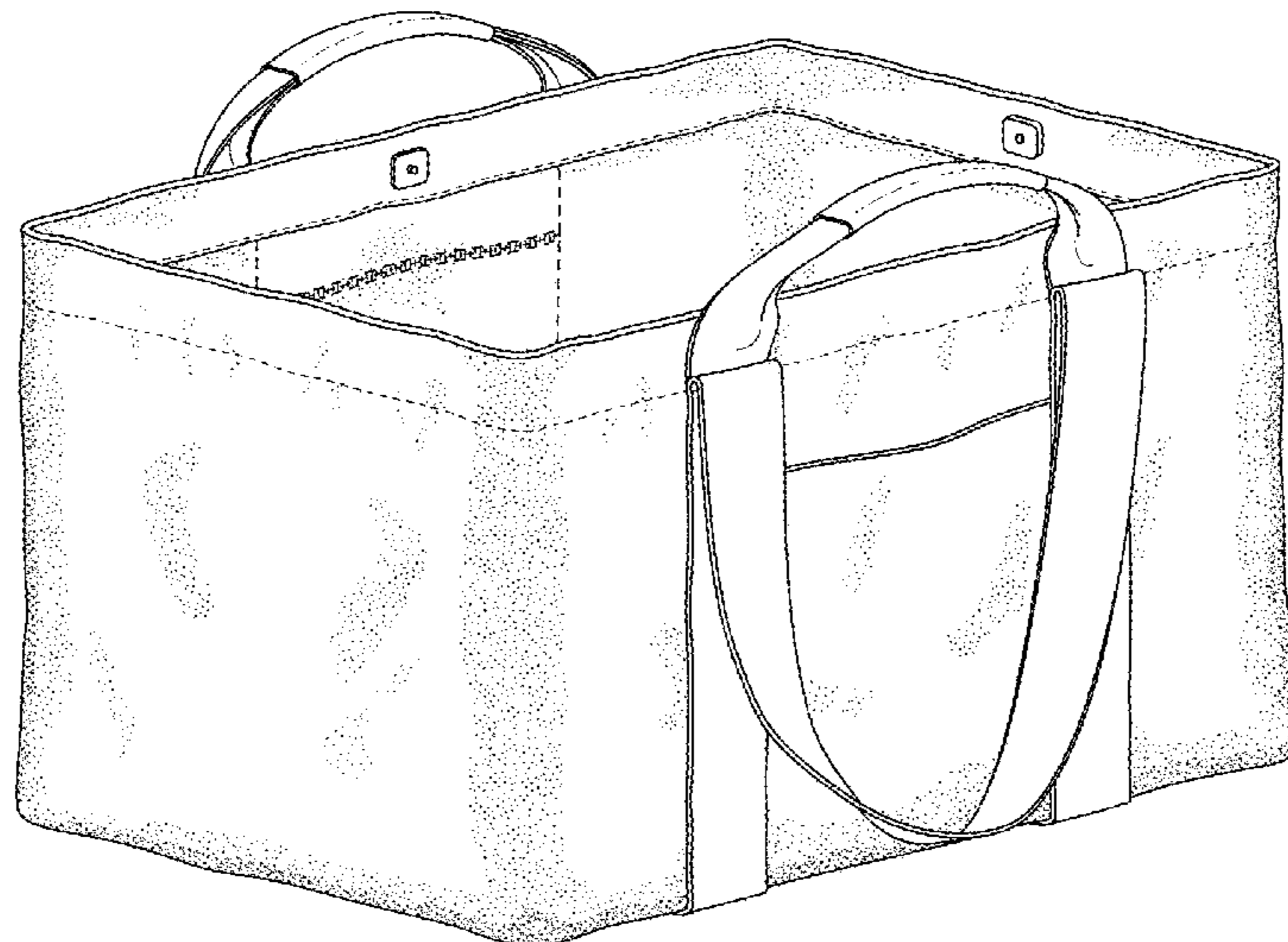
DESCRIPTION

FIG. 1 is a front left perspective view of the multi-configurable tote bag/sac in an open configuration;
 FIG. 2 is a front elevational view thereof, the rear elevational view being identical;
 FIG. 3 is a right side elevational view thereof, the left side elevational view being identical;
 FIG. 4 is a top plan view thereof;
 FIG. 5 is a bottom plan view thereof;
 FIG. 6 is a front left perspective view of the multi-configurable tote bag/sac in a one-way closure configuration;
 FIG. 7 is a front elevational view thereof, the rear elevational view being identical;
 FIG. 8 is a right side elevational view thereof, the left side elevational view being identical;
 FIG. 9 is a top plan view thereof;
 FIG. 10 is a bottom plan view thereof;
 FIG. 11 is a front left perspective view of the multi-configurable tote bag/sac in a two-way closure configuration;
 FIG. 12 is a front elevational view thereof, the rear elevational view being identical;
 FIG. 13 is a right side elevational view thereof, the left side elevational view being identical;
 FIG. 14 is a top plan view thereof; and,
 FIG. 15 is a bottom plan view thereof.

The broken line along the top edge of the multi-configurable tote bag/sac is for purpose of illustrating stitching and forms no part of the claimed design.

The broken lines showing interior pockets are for the purpose of illustrating functionality and/or environmental structure and form no part of the claimed design.

1 Claim, 15 Drawing Sheets



(56)

References Cited

U.S. PATENT DOCUMENTS

D801,043 S * 10/2017 Lucas D3/246
D832,571 S * 11/2018 Franklin-Daisey D3/201
D832,579 S * 11/2018 Monroe D3/307
D855,982 S * 8/2019 McGinn D3/246

* cited by examiner

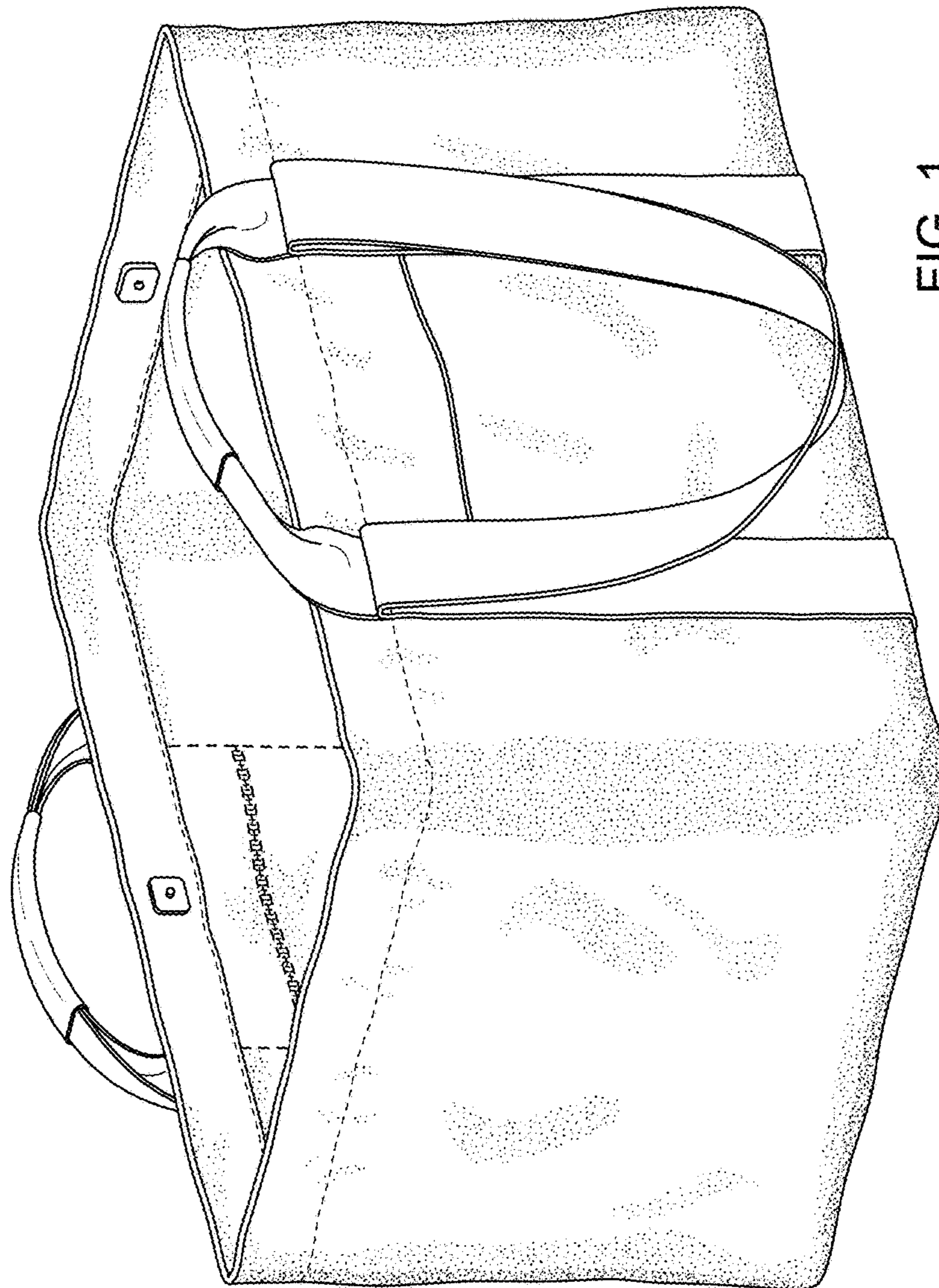


FIG. 1

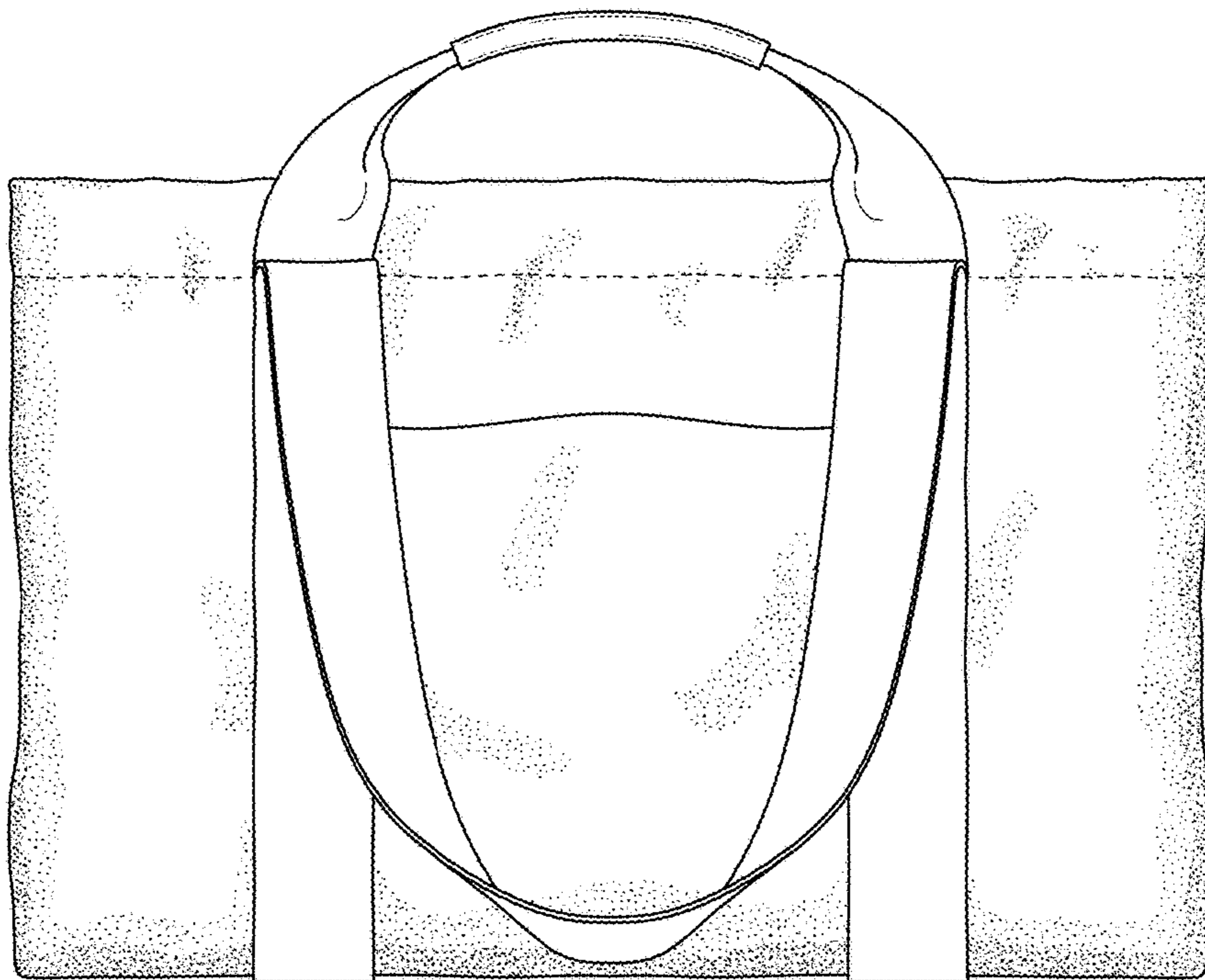


FIG. 2

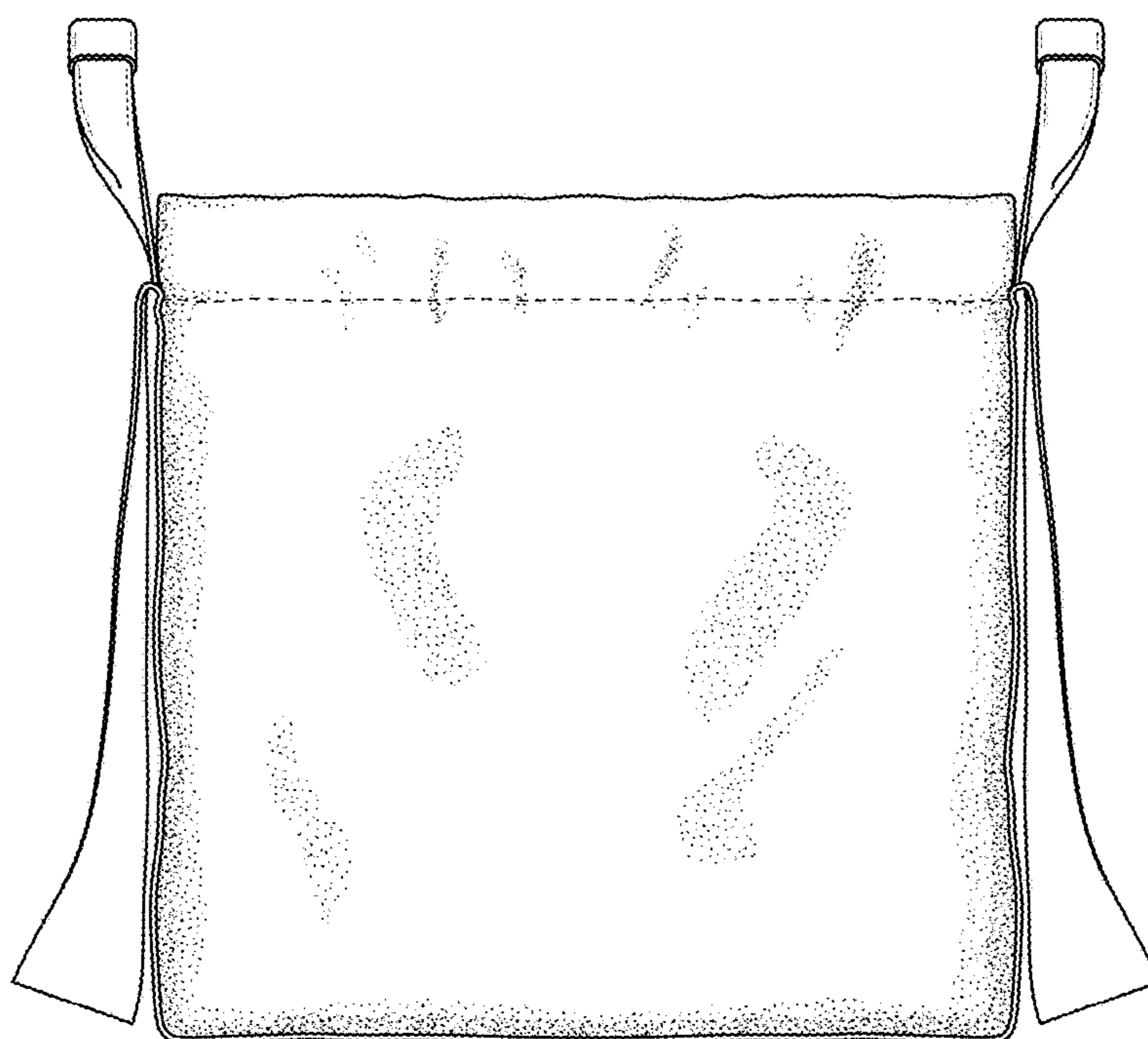


FIG. 3

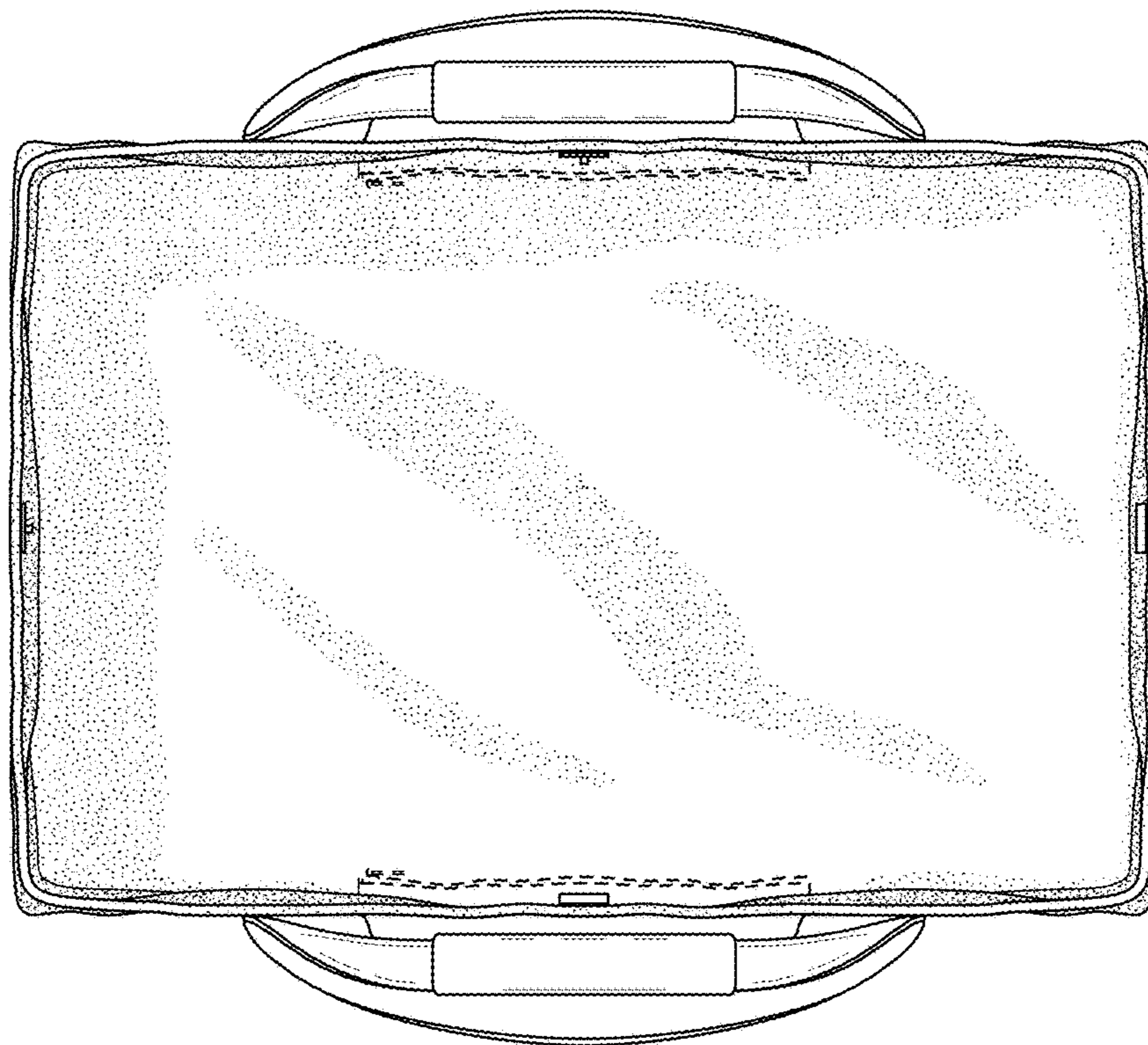


FIG. 4

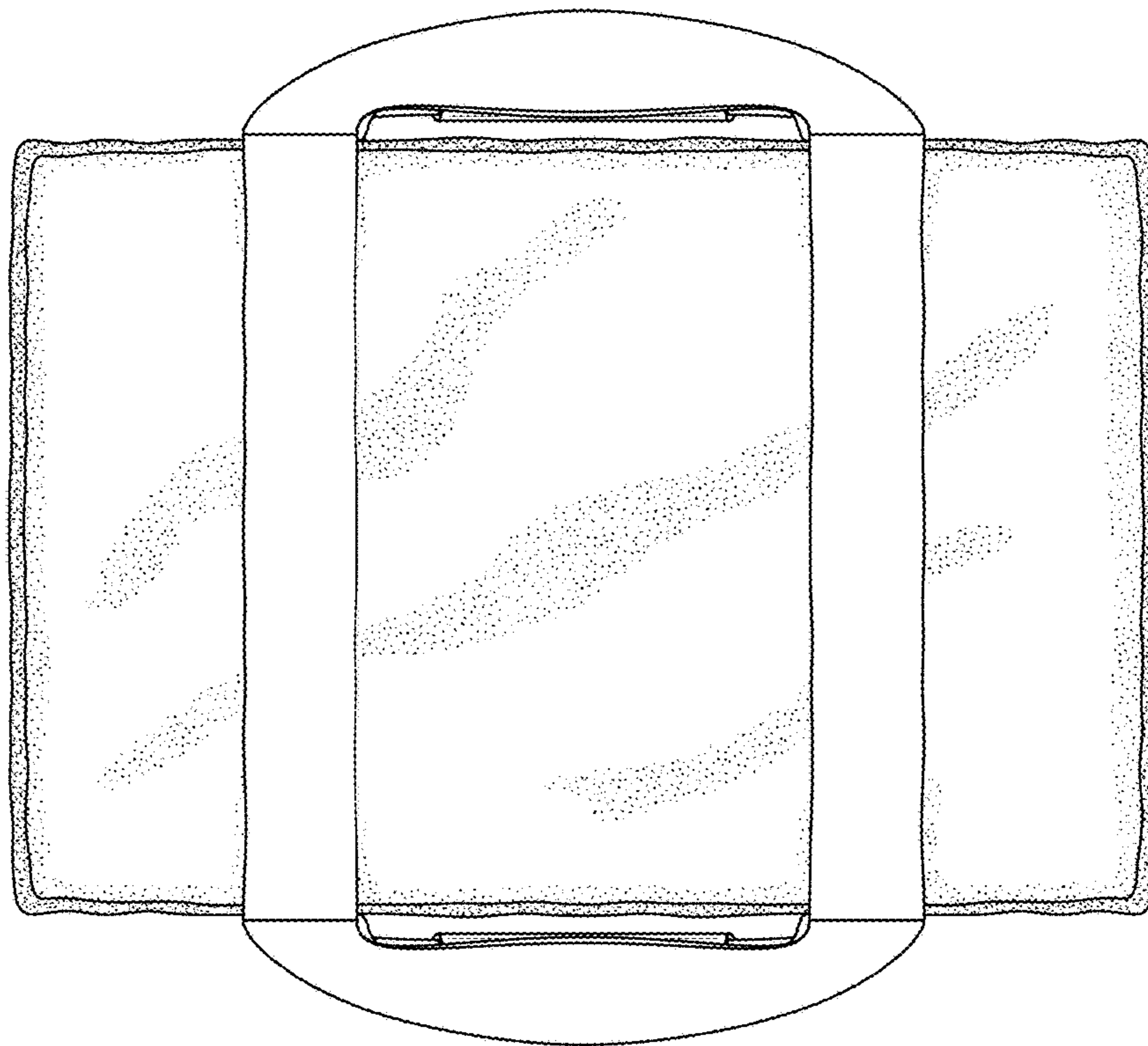


FIG. 5

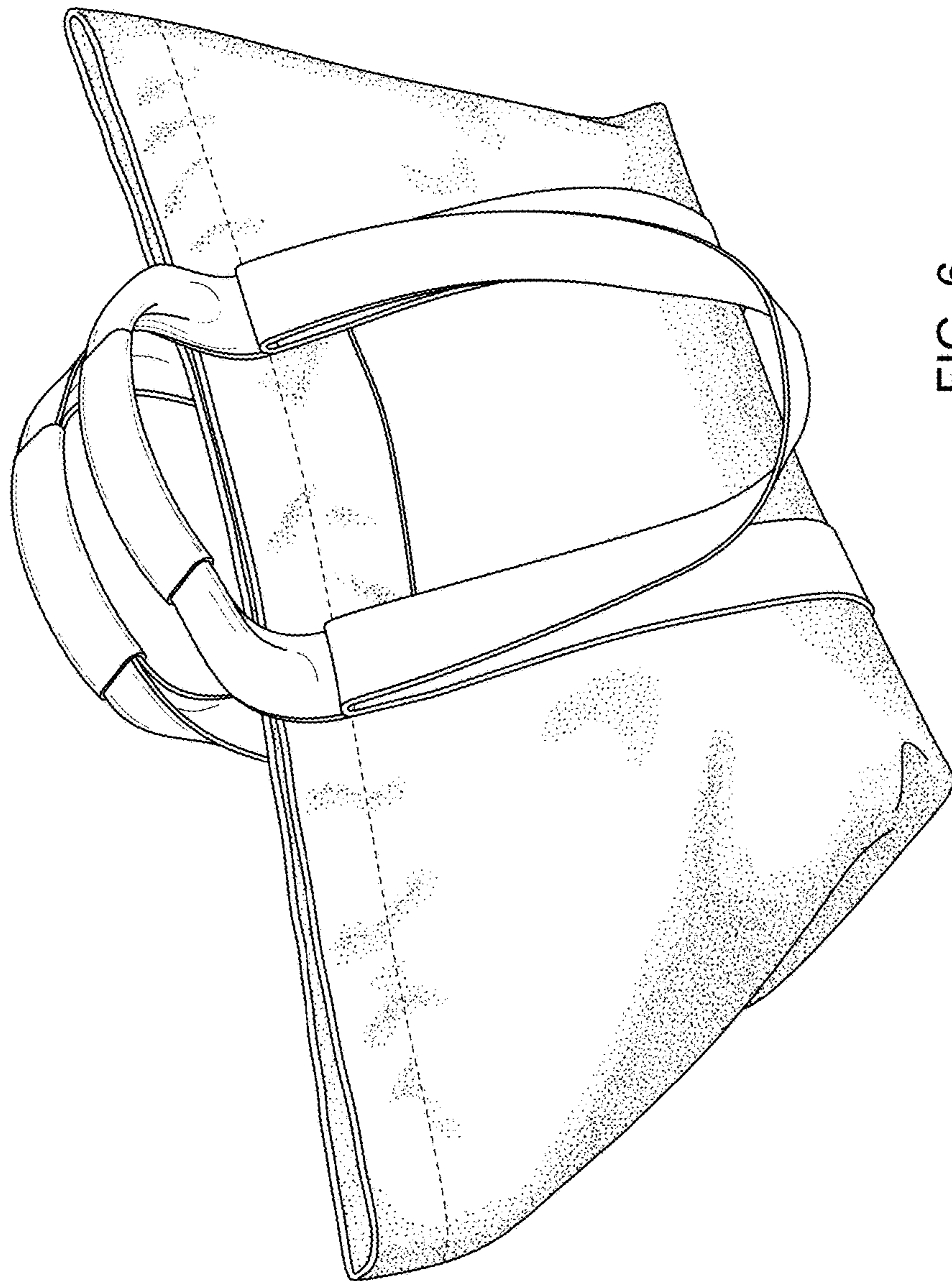


FIG. 6

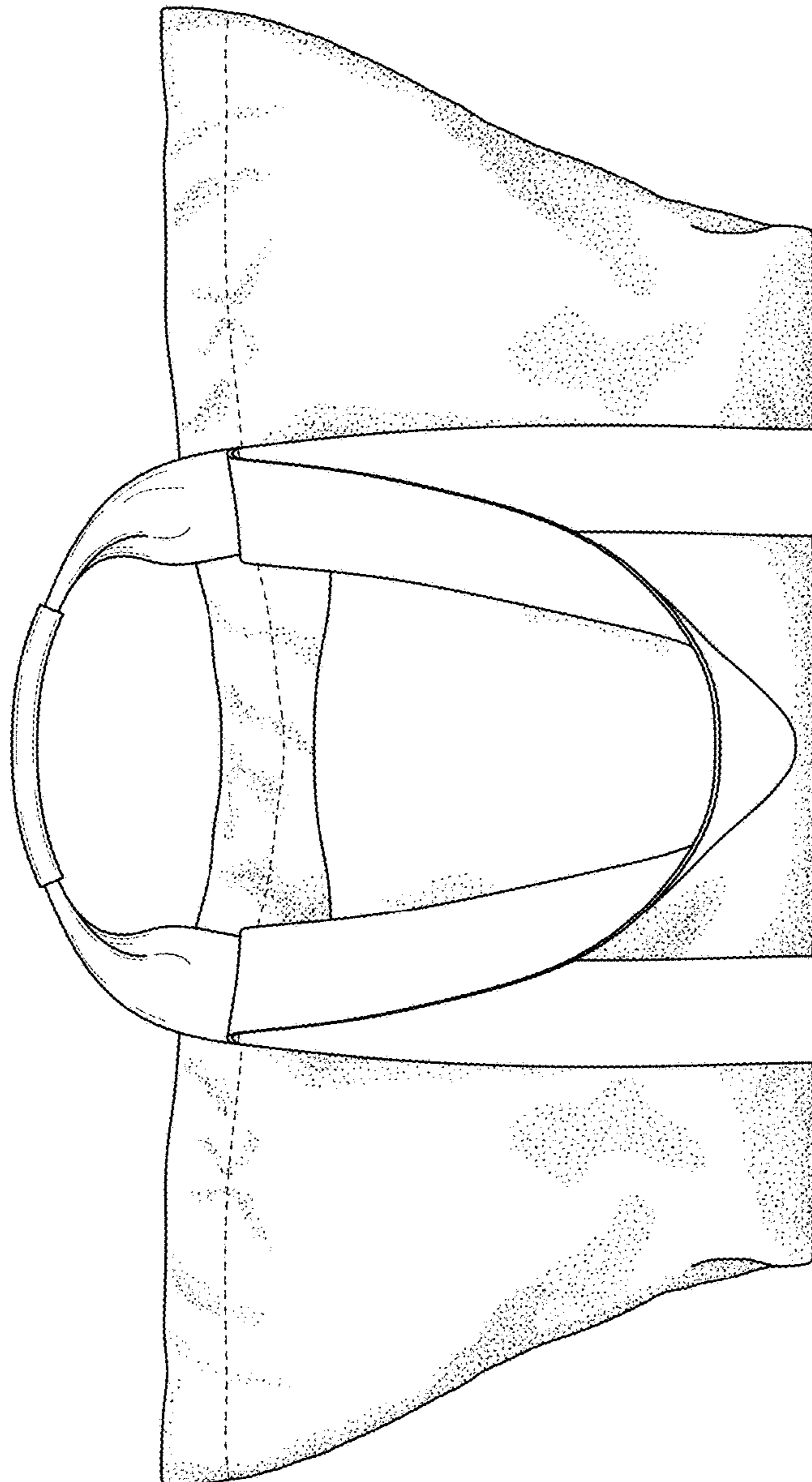


FIG. 7

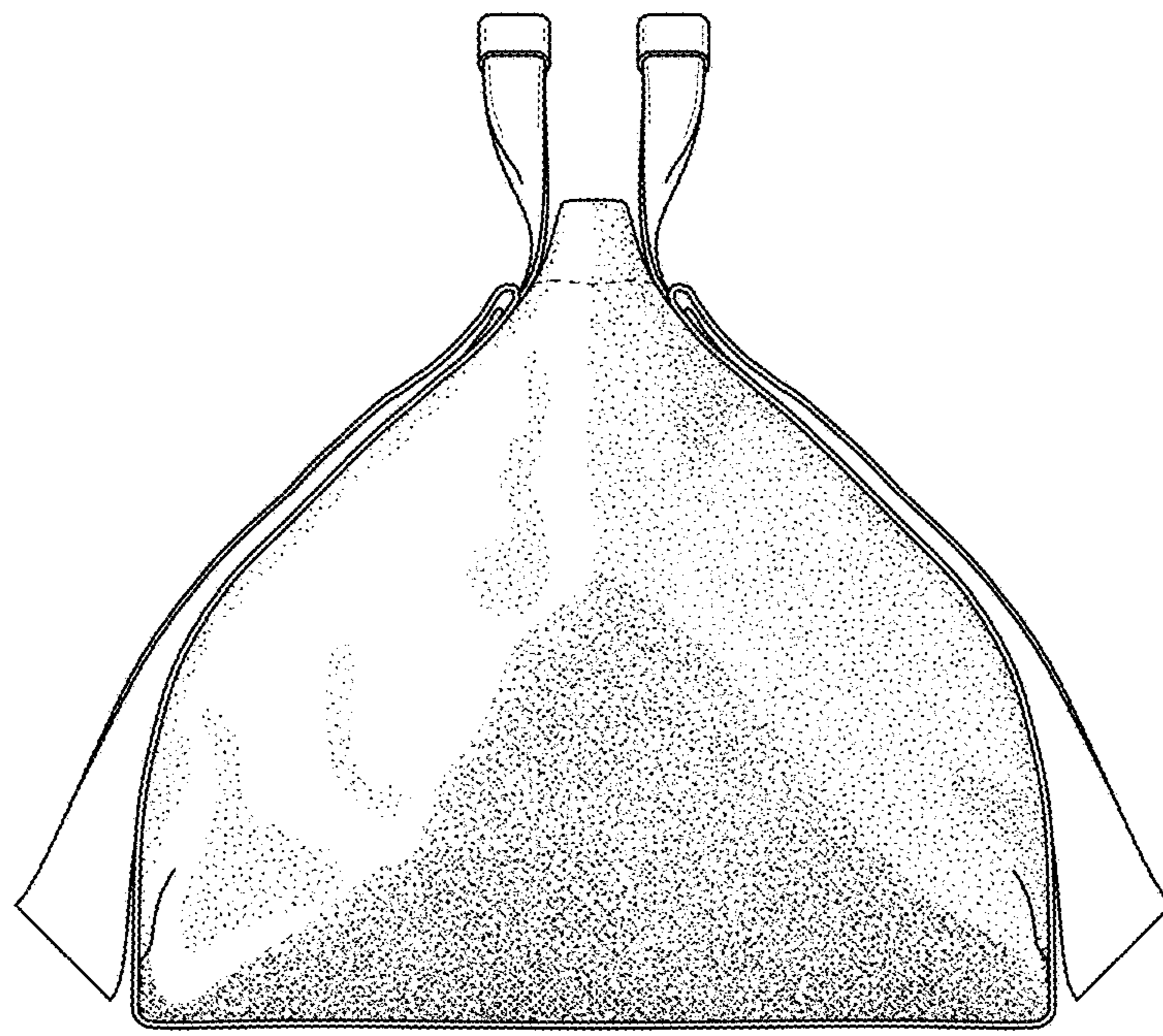


FIG. 8

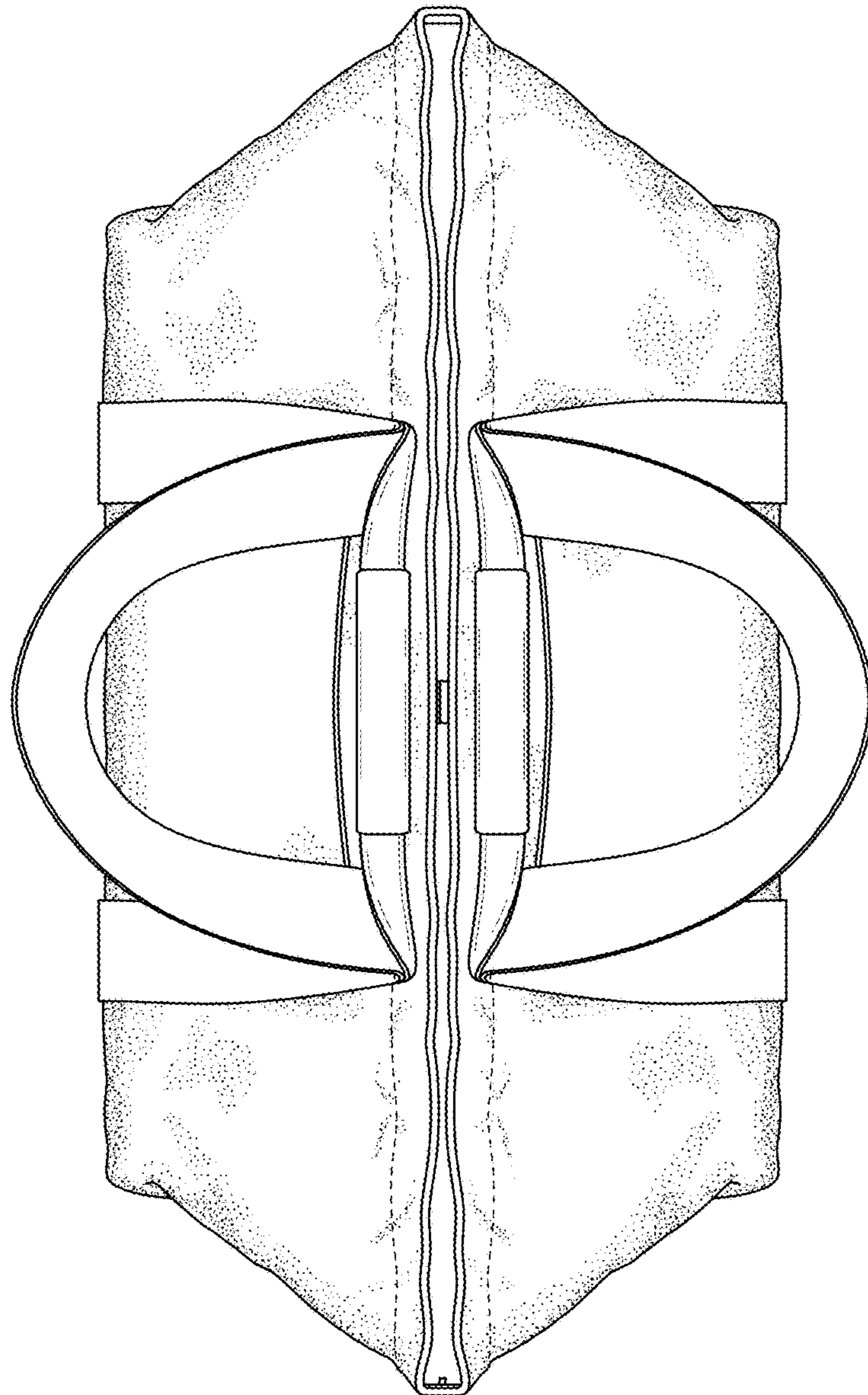


FIG. 9

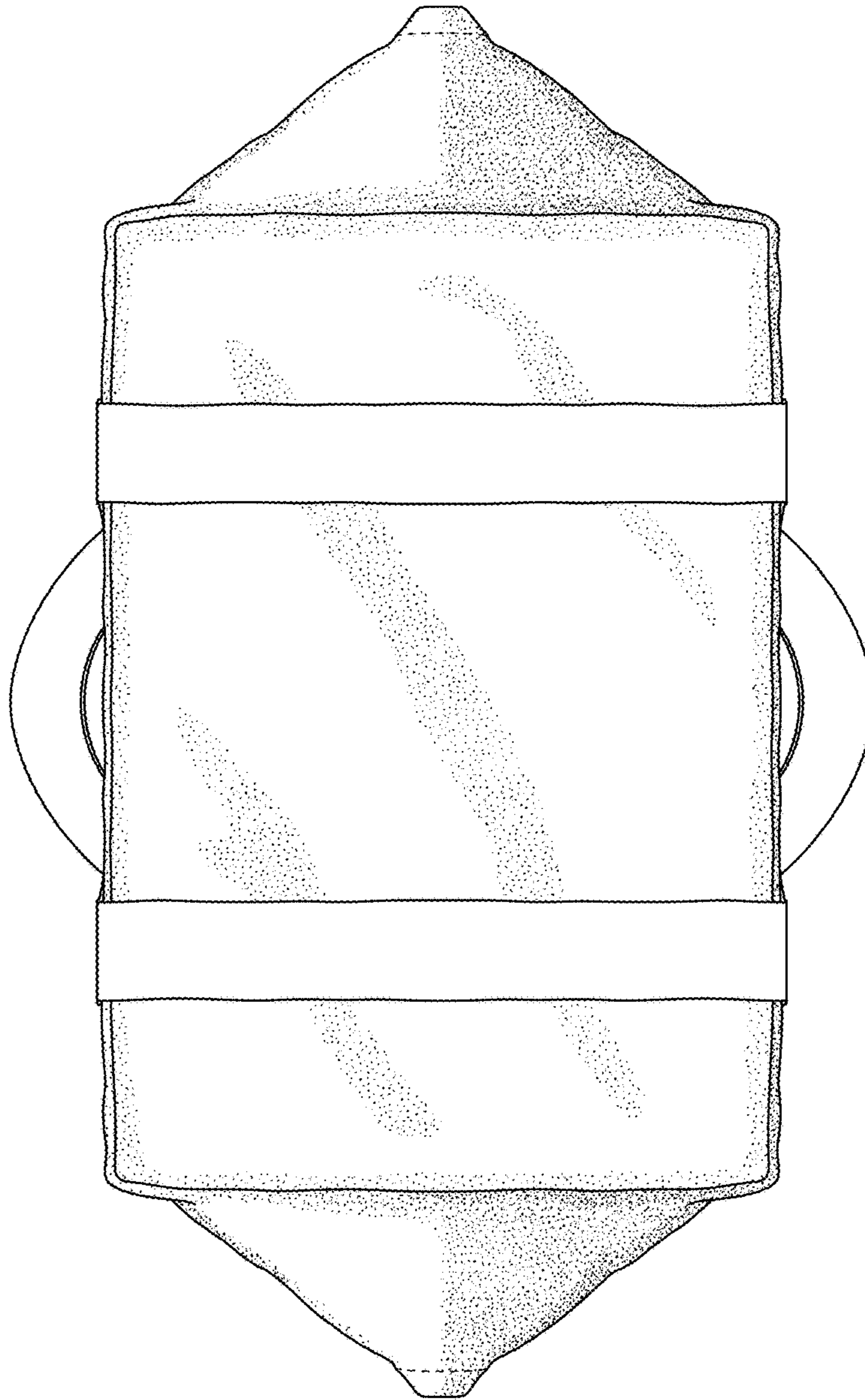


FIG. 10



FIG. 11

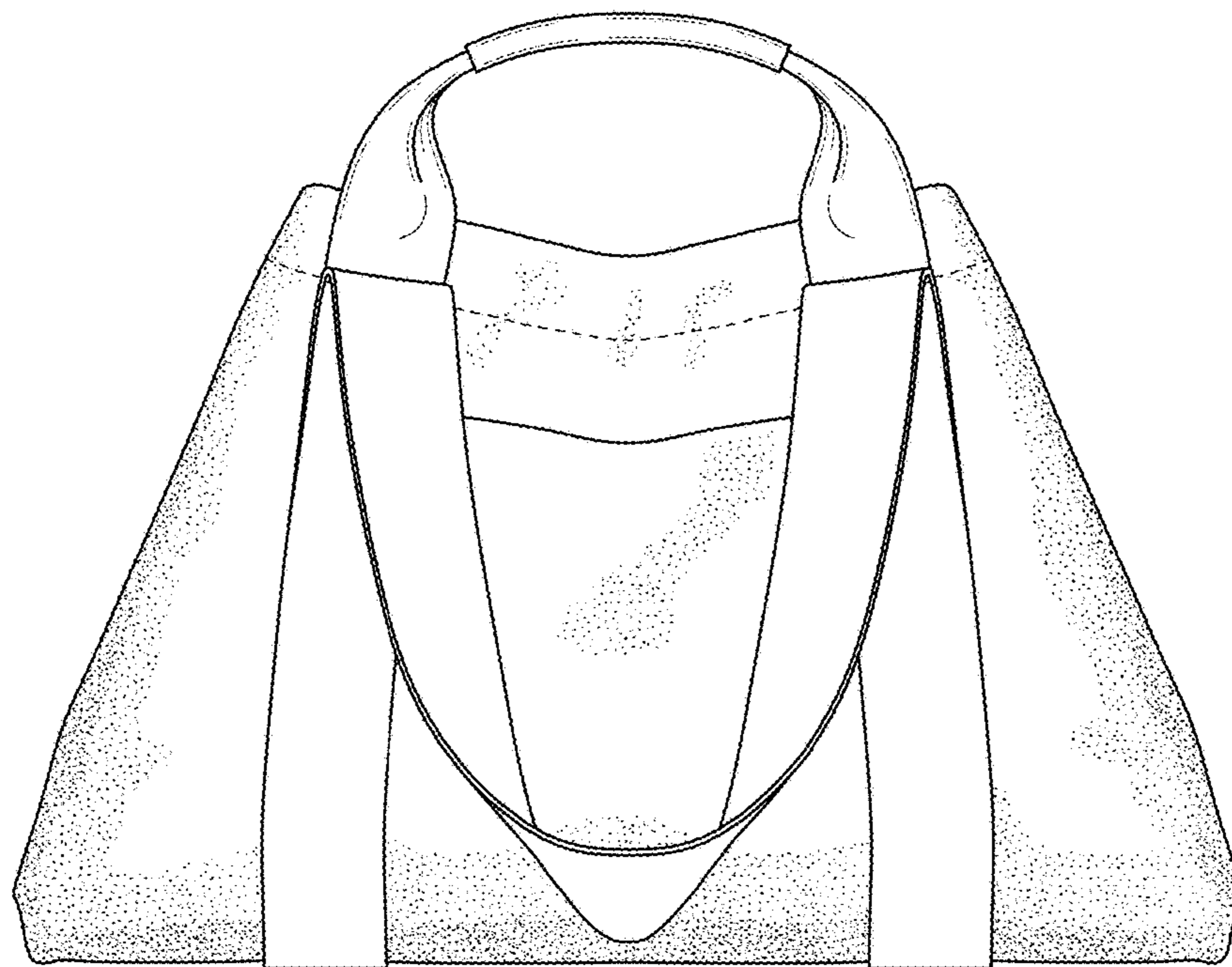


FIG. 12

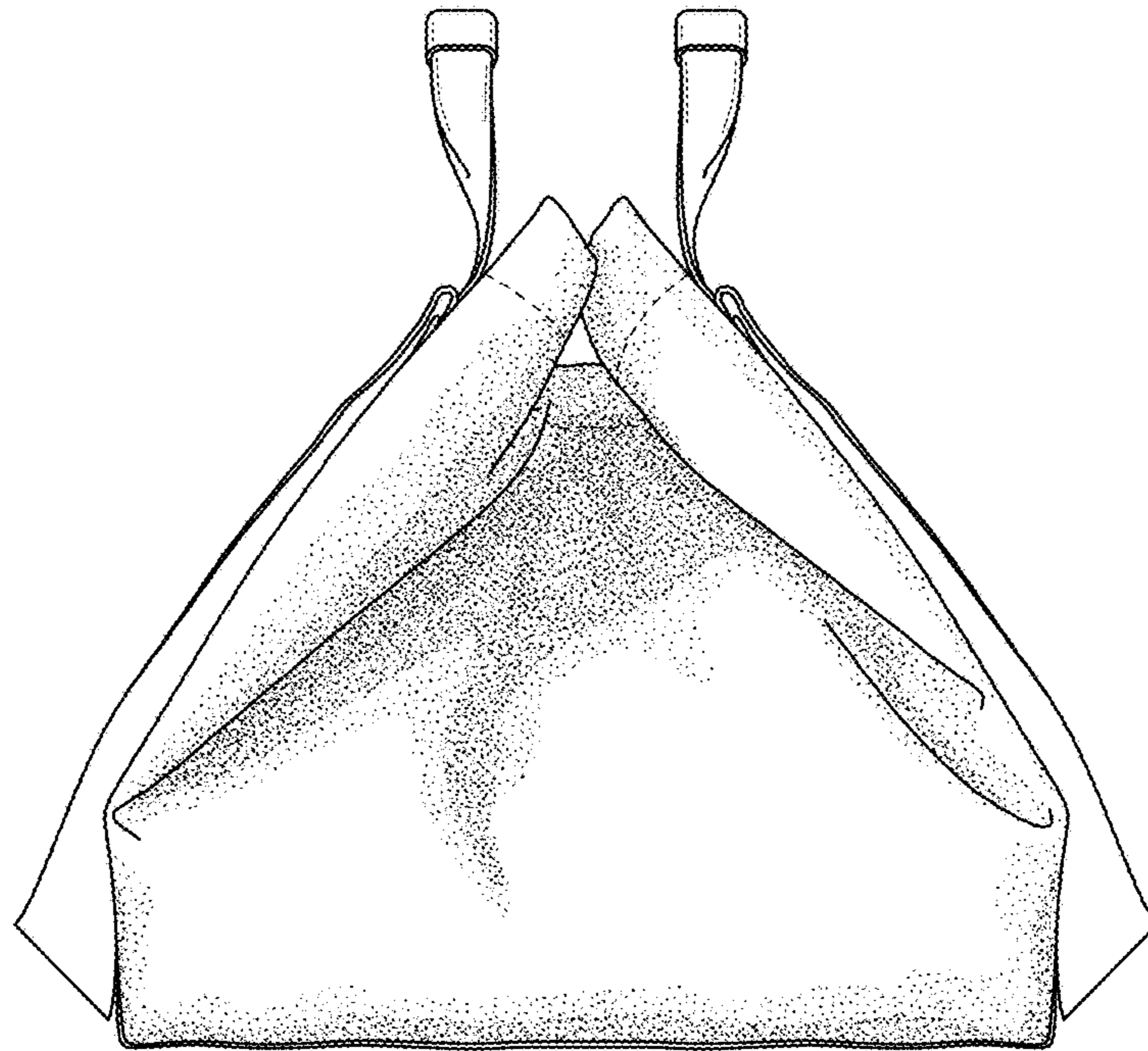


FIG. 13

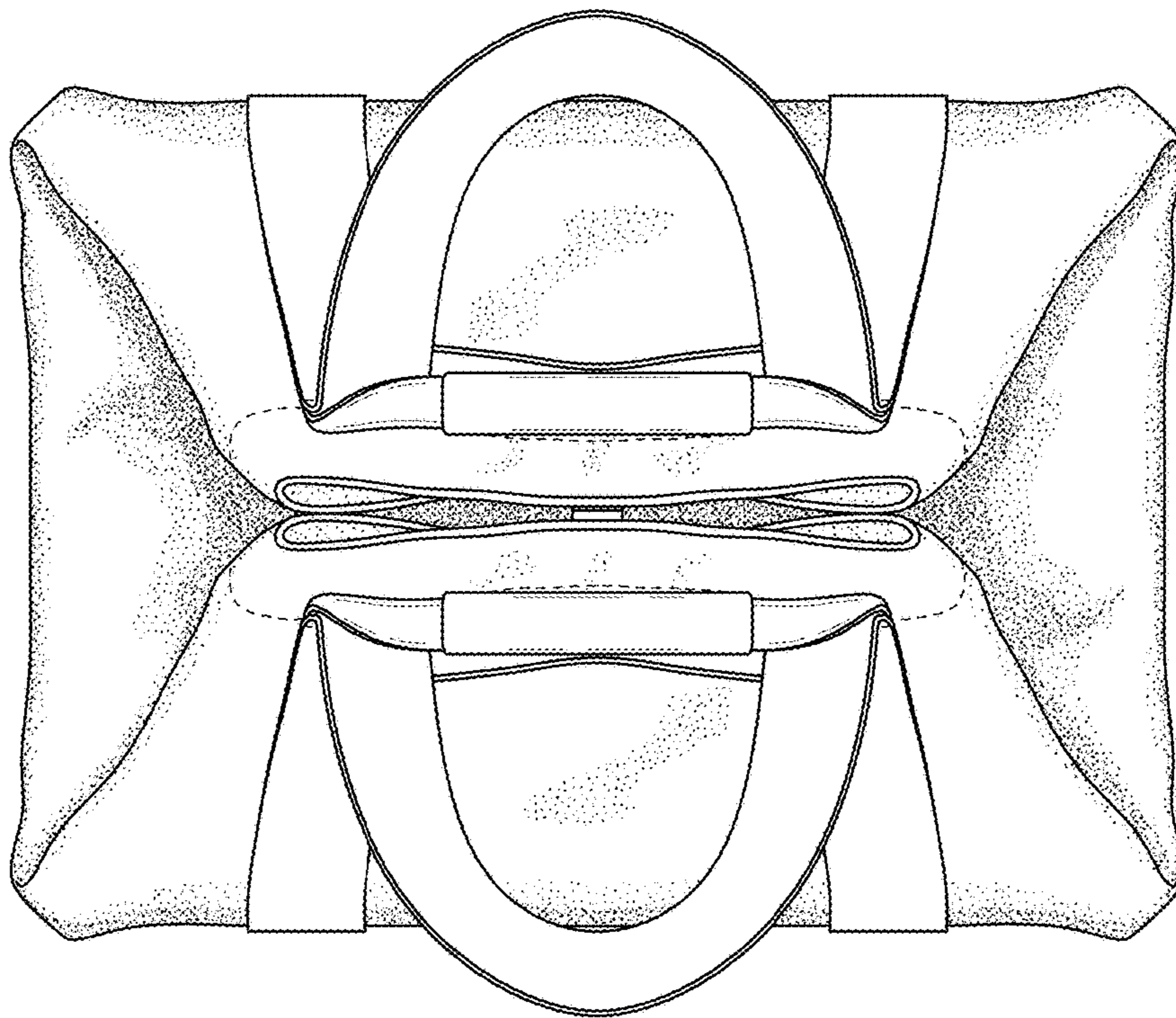


FIG. 14

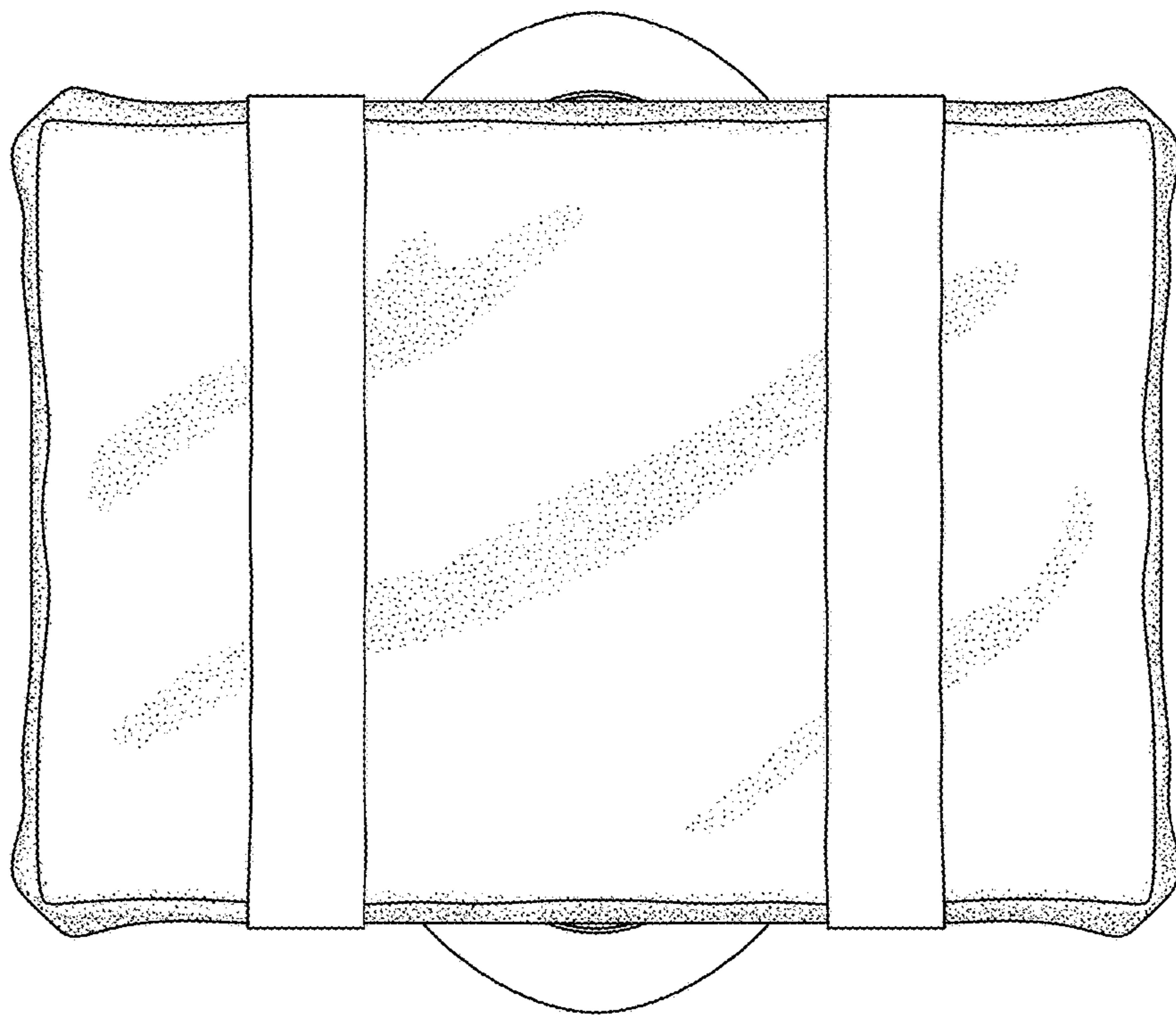


FIG. 15