



US00D866949S

(12) **United States Design Patent** (10) **Patent No.:** **US D866,949 S**
Siegenthaler (45) **Date of Patent:** **** Nov. 19, 2019**

(54) **BASE FOR PARASOLS**
(71) Applicant: **GLATZ AG**, Frauenfeld (CH)
(72) Inventor: **Robert Siegenthaler**, Bülach (CH)
(**) Term: **15 Years**

(21) Appl. No.: **35/505,483**
(22) Filed: **Feb. 12, 2018**

(80) **Hague Agreement Data**
Int. Filing Date: **Feb. 12, 2018**
Int. Reg. No.: **DM/099889**
Int. Reg. Date: **Feb. 12, 2018**
Int. Reg. Pub. Date: **Aug. 17, 2018**

(51) **LOC (12) Cl.** **03-03**
(52) **U.S. Cl.**
USPC **D3/10**
(58) **Field of Classification Search**
USPC D3/5, 10, 13, 16; D6/521, 708; D11/155
CPC . A45B 2200/1063; A45B 25/00; E04H 12/22;
E04H 12/2238; E04H 12/2246
See application file for complete search history.

(56) **References Cited**
U.S. PATENT DOCUMENTS
D653,845 S * 2/2012 Li D3/5
9,540,840 B2 * 1/2017 Ma F16M 13/00
D817,631 S * 5/2018 Weng D3/10
10,100,969 B1 * 10/2018 Zhu E04H 12/2238
D833,136 S * 11/2018 Ma D3/10
2004/0069922 A1 * 4/2004 Wu E04H 12/2246
248/519
2004/0177871 A1 * 9/2004 Harbaugh A45B 19/10
135/20.1
2007/0080277 A1 * 4/2007 Chen E04H 12/2246
248/354.3
2008/0224016 A1 * 9/2008 Defu E04H 12/2246
248/523

2012/0024330 A1 * 2/2012 Ma A45B 23/00
135/16
2013/0146739 A1 * 6/2013 Zhao E04H 12/2246
248/519
2017/0114563 A1 * 4/2017 Ye A45B 11/00
2018/0334828 A1 * 11/2018 Pan E04H 12/2246

FOREIGN PATENT DOCUMENTS

WO D099889-001 * 8/2018
WO D099889-002 * 8/2018

OTHER PUBLICATIONS

Roller base Z (available online) Retrieved from the internet Aug. 23, 2019 from URL: (/de/schirme/sortiment/alu-twist).*
Base with castors M4, (available online) Retrieved from the internet Aug. 23, 2019 from URL: (/en/products/product-range/pendalex-plus).*

* cited by examiner

Primary Examiner — George D. Kirschbaum
Assistant Examiner — Richard Kearney

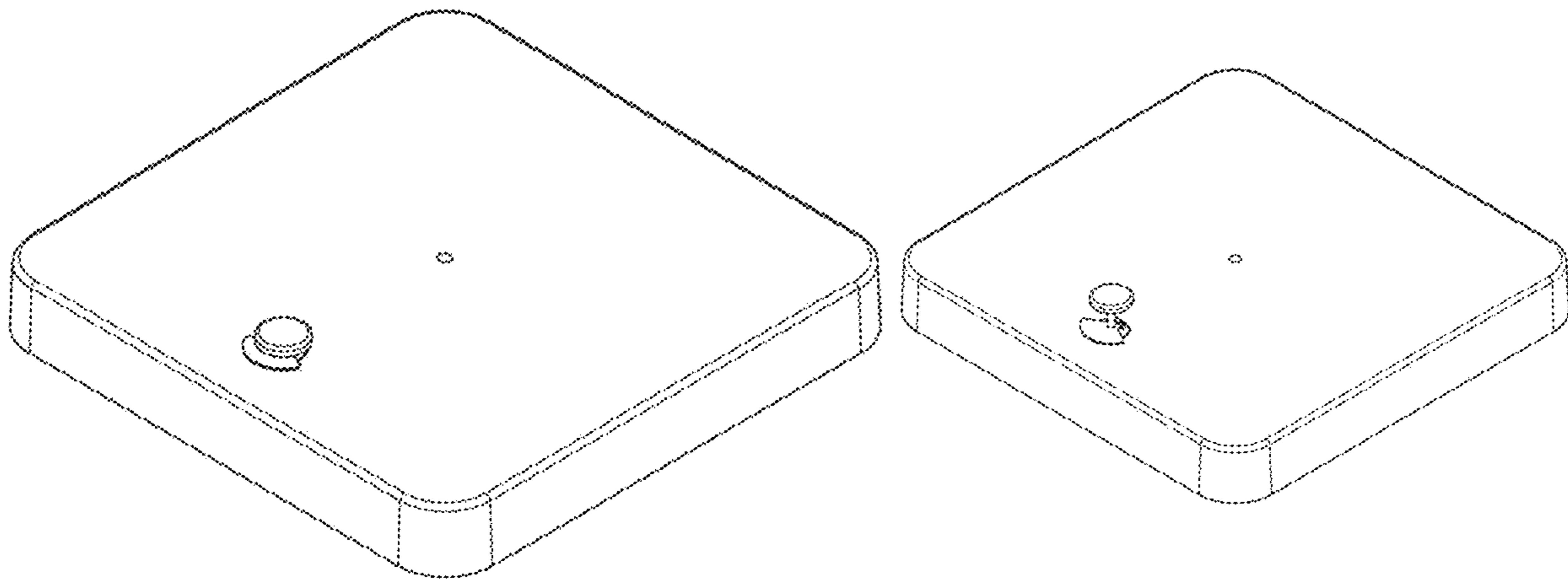
(57) **CLAIM**

I claim the ornamental design for a base for parasols, as shown and described.

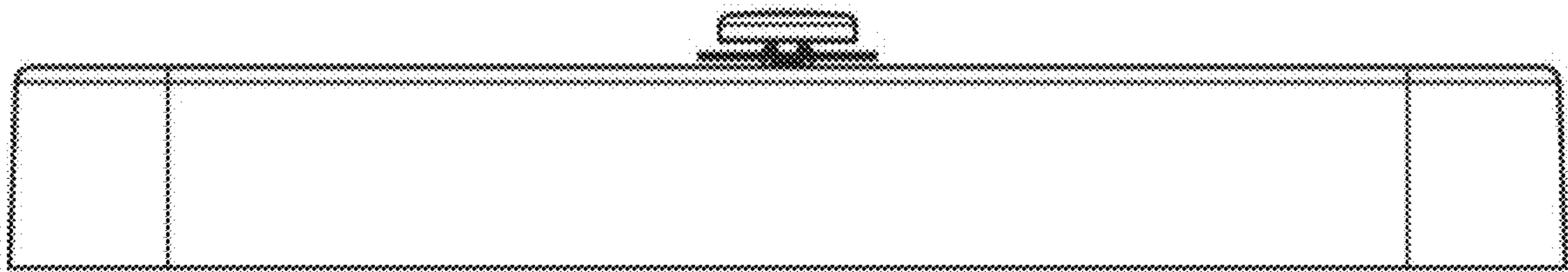
DESCRIPTION

1.1 is a front view of a base for parasols in a first configuration;
1.2 is a rear view thereof;
1.3 is a left side view thereof;
1.4 is a right side view thereof;
1.5 is a top view thereof;
1.6 is a bottom view thereof;
1.7 is a top, front, right side perspective view thereof; and
1.8 is a top, front, right side perspective view showing the base for parasols in a second configuration.

1 Claim, 8 Drawing Sheets



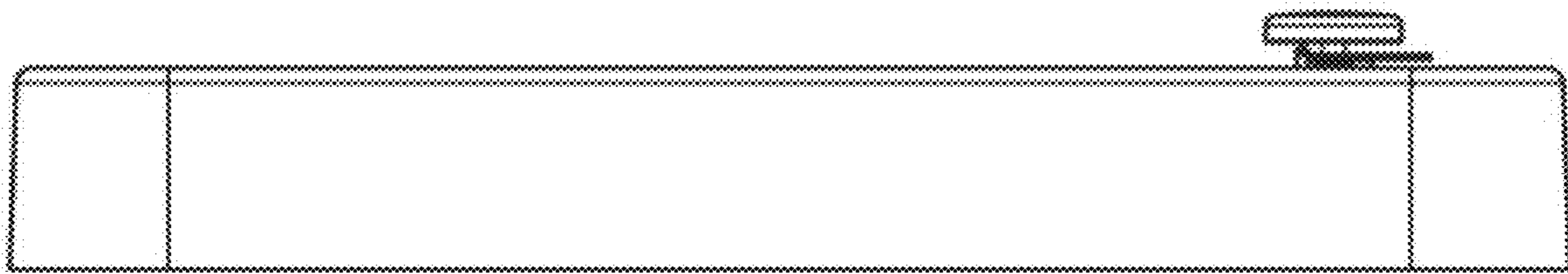
1.1



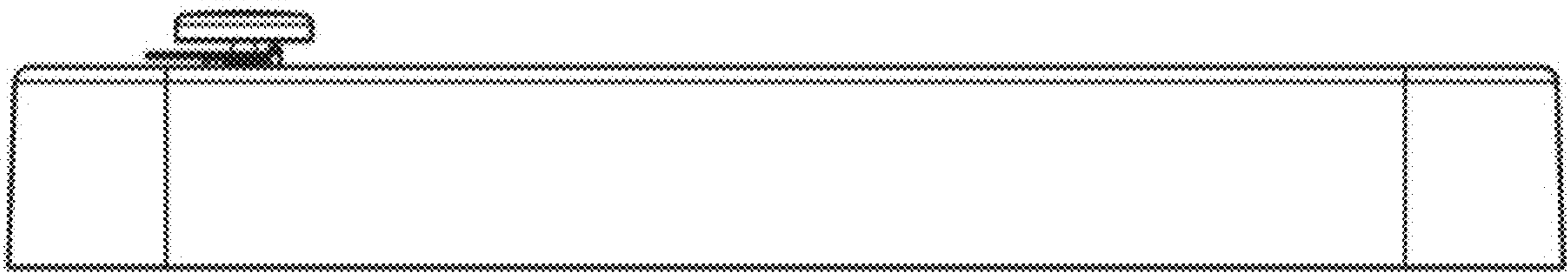
1.2



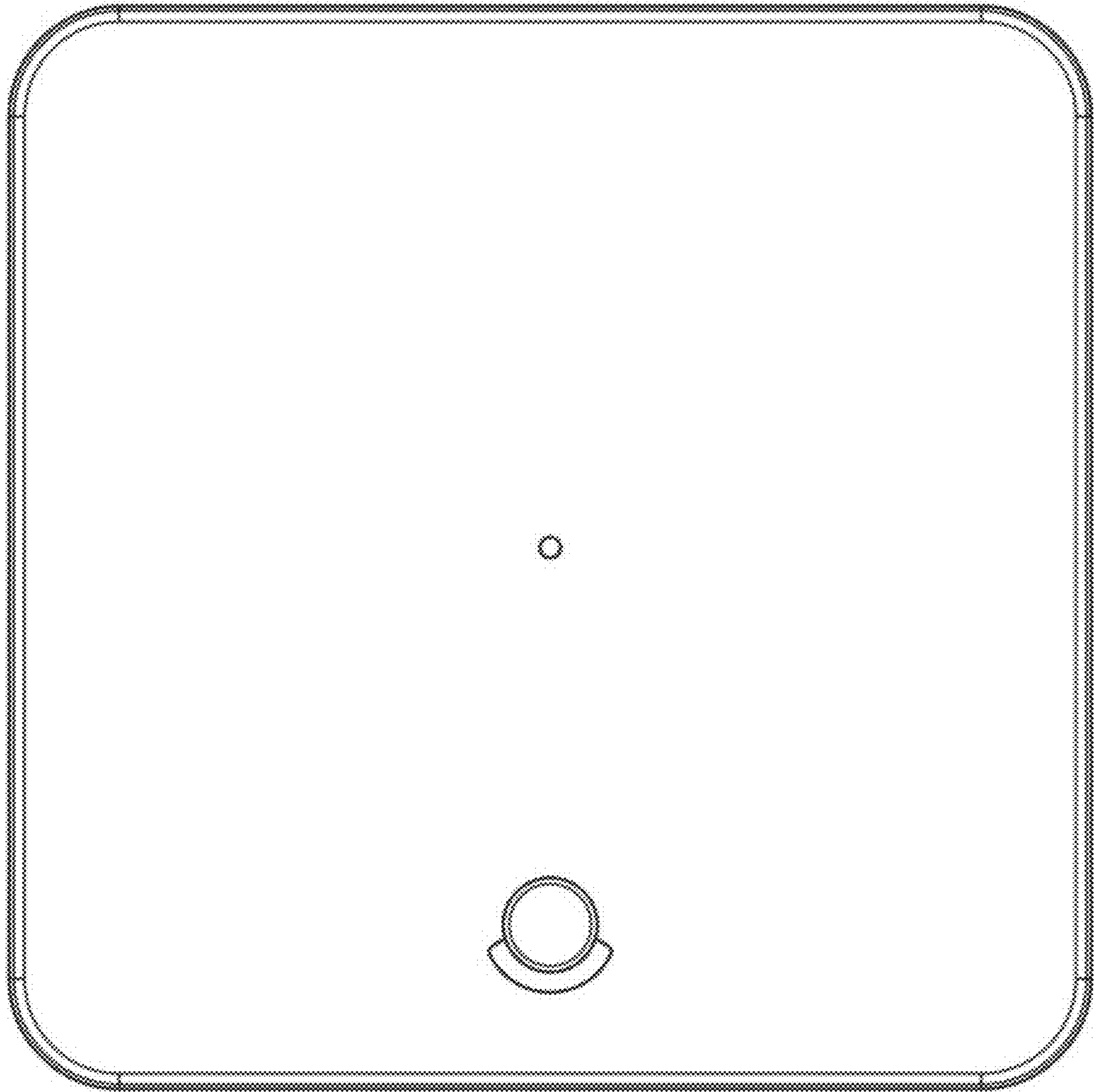
1.3



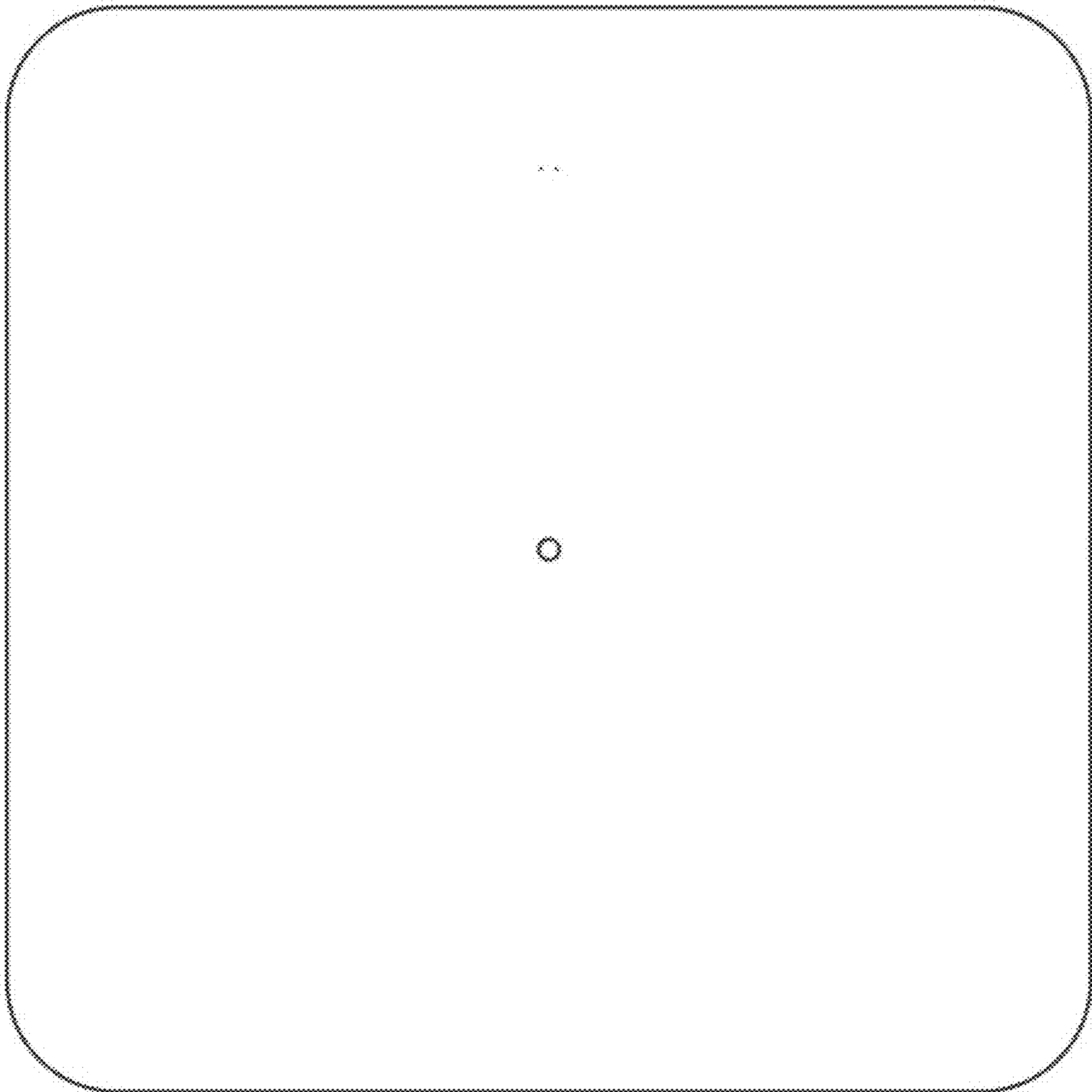
1.4



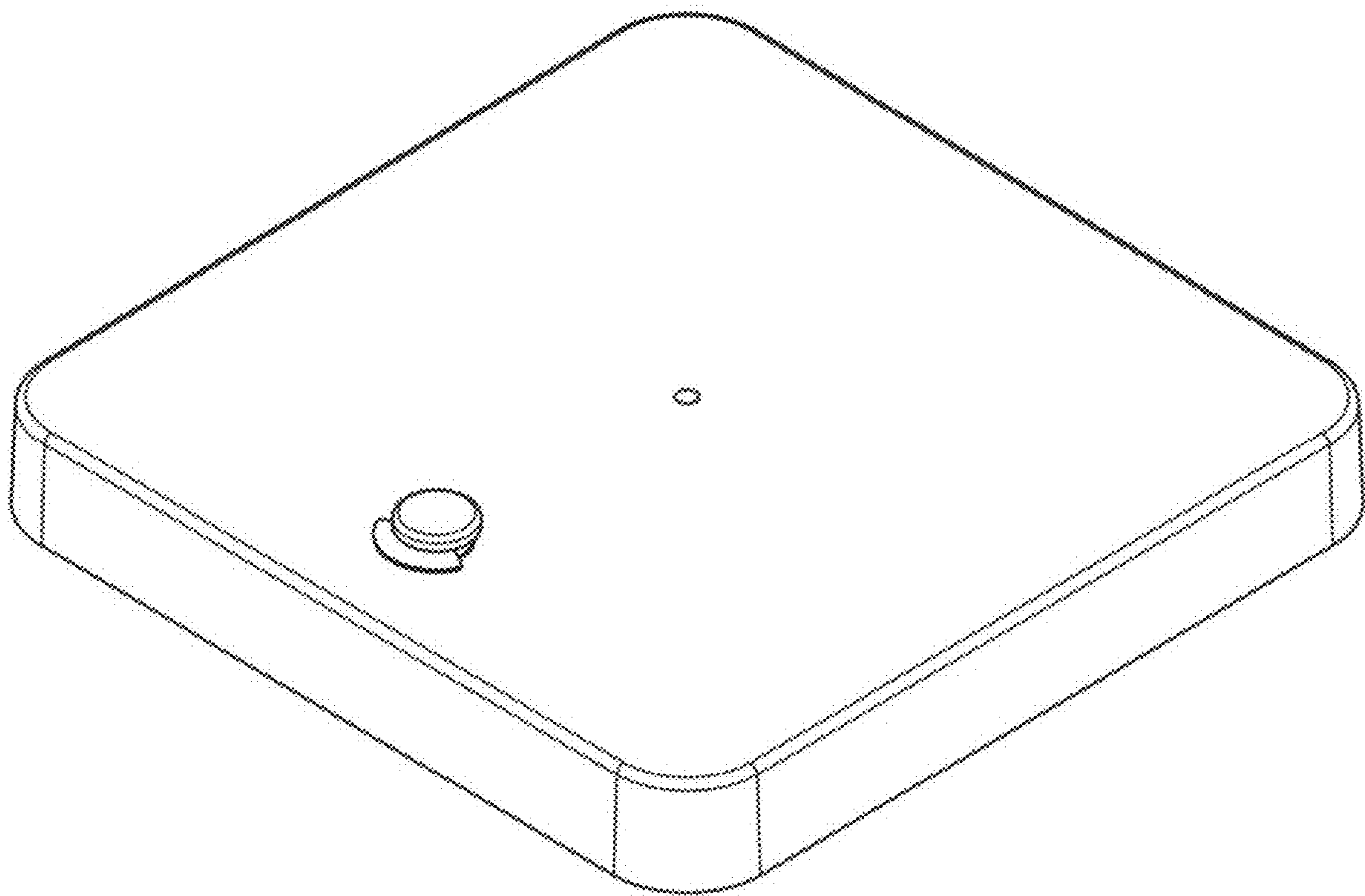
1.5



1.6



1.7



1.8

