

US00D866947S

(12) **United States Design Patent** (10) **Patent No.:** **US D866,947 S**
Fusco (45) **Date of Patent:** **** Nov. 19, 2019**

(54) **SHOE COVERING**

(71) Applicant: **Jerrot Fusco**, Mission Viejo, CA (US)

(72) Inventor: **Jerrot Fusco**, Mission Viejo, CA (US)

(**) Term: **15 Years**

(21) Appl. No.: **29/637,073**

(22) Filed: **Feb. 13, 2018**

(51) **LOC (12) Cl.** **02-99**

(52) **U.S. Cl.**
USPC **D2/973**

(58) **Field of Classification Search**

USPC D2/896, 902, 904, 906-909, 946, 969,
D2/972-974, 976; D5/47, 49, 50, 53, 54,
D5/56, 60

CPC ... A43B 13/181; A43B 13/141; A43B 13/186;
A43B 13/188; A43B 23/00; A43B 23/02;
A43B 5/00; A43B 23/26; A43B 1/04;
A43B 11/14; A43B 7/00; A43B 3/12;
A43C 3/00; A43C 5/00; A43C 7/00;
A43C 11/004

See application file for complete search history.

(56) **References Cited**

U.S. PATENT DOCUMENTS

D297,069 S *	8/1988	Le	D2/970
D406,690 S *	3/1999	Vestuti	D2/969
D540,519 S *	4/2007	Hobson	D2/969
D636,564 S *	4/2011	Matsueda	D2/902
D671,728 S *	12/2012	Kelley	D2/969
D712,648 S *	9/2014	Issler	D2/939
D734,013 S *	7/2015	Ringholz	D2/969
D765,386 S *	9/2016	Petrie	D2/973
D774,292 S *	12/2016	Spring	D2/973
D779,192 S *	2/2017	Desphy	D2/973
D781,565 S *	3/2017	Johnsongriffin	D2/973
D790,202 S *	6/2017	Devito	D2/973
D790,829 S *	7/2017	Goldstein	D2/969
D795,563 S *	8/2017	Durand	D2/973
D796,827 S *	9/2017	Small	D2/972
D804,799 S *	12/2017	Petrenka	D2/969

(Continued)

Primary Examiner — Dominic V Simone

(74) *Attorney, Agent, or Firm* — Plager Schack LLP;
Mark H. Plager; Michael J. O'Brien

(57) **CLAIM**

An ornamental design for a shoe covering, as shown and described.

DESCRIPTION

FIG. 1 is a front perspective view of a new design for shoe covering that has a series of internal portions textured with a loop fastener and a pair of straps connected with a hook and loop fastener. The small dashed lines represent stitching which forms part of the claimed design. The small dashed parallel lines represents double stitching which forms part of the claimed design.

FIG. 2 is a rear view thereof showing a zipper to the left side of a centrally located heel loop;

FIG. 3 is a front view thereof;

FIG. 4 is a left side view thereof;

FIG. 5 is a right side view thereof;

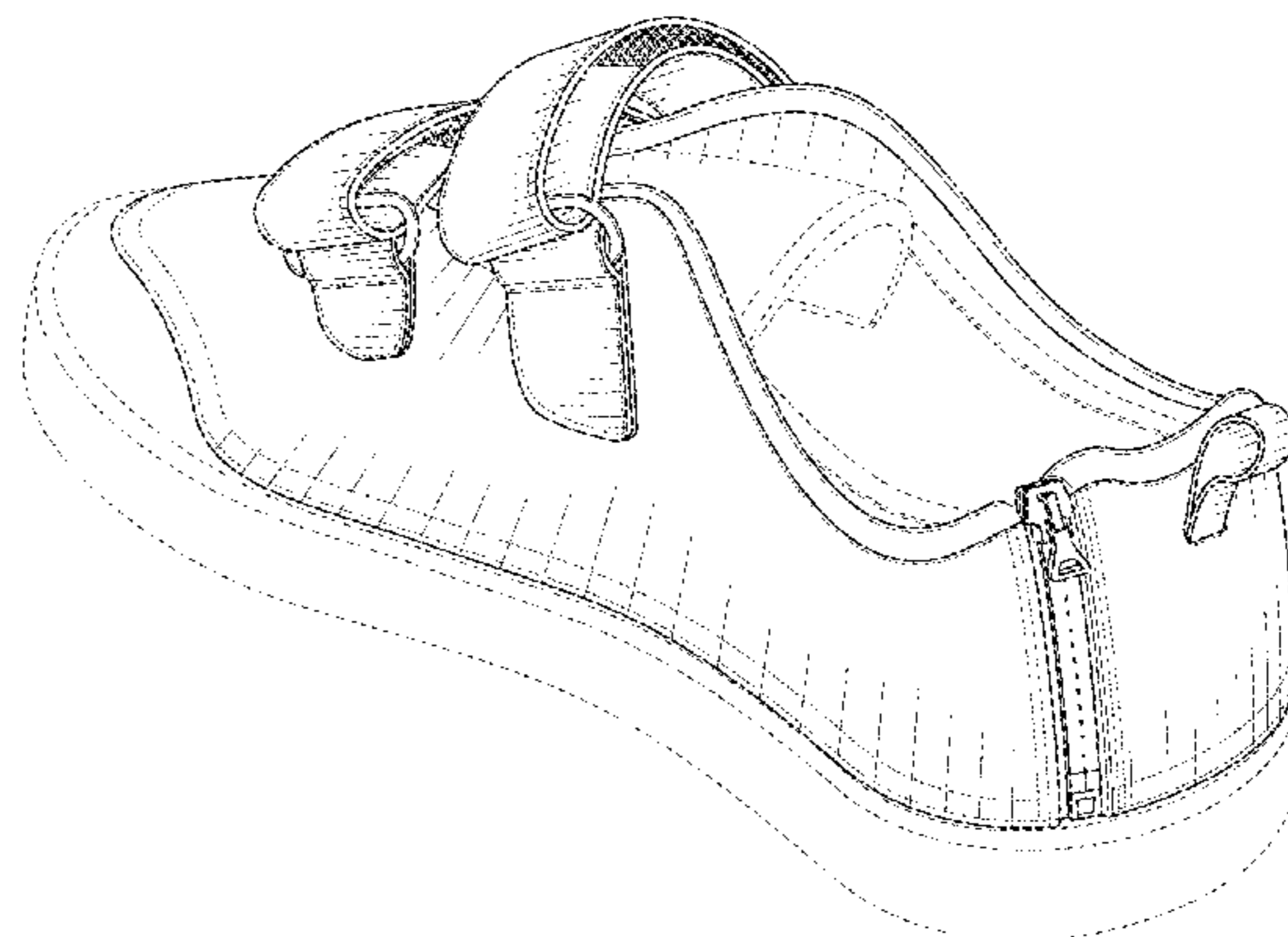
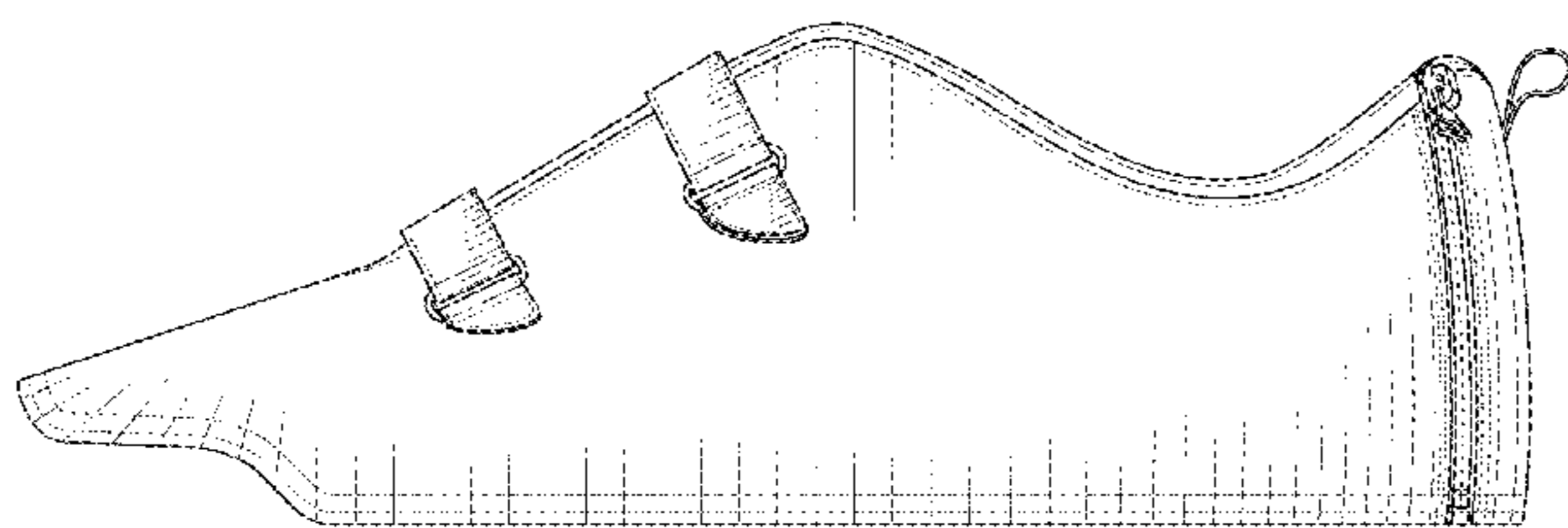
FIG. 6 is a top view thereof;

FIG. 7 is a bottom view thereof showing four textured portions in the left front, left rear, right front and right rear that are all the texture of a loop fastener; and,

FIG. 8 a front perspective view thereof showing the new design for shoe covering on top of a show in large broken lines. The large broken lines are not part of the claimed invention that are shown for environmental purpose.

The solid line showing illustrates the claimed features within the design for the claimed article of manufacture, while the large broken lines illustrates the non-claimed features within the design for the claimed article of manufacture. The shading with single lines is provided to illustrate contour only and is not an indication of texture, gloss, etc. However, the shading in FIGS. 1 and 7 that is shown with curled lines does show texture.

1 Claim, 8 Drawing Sheets



(56)

References Cited

U.S. PATENT DOCUMENTS

D807,007 S *	1/2018	Ringholz	D2/969
D816,976 S *	5/2018	Small	D2/973
D816,977 S *	5/2018	Kirschner	D2/973
D833,730 S *	11/2018	Hardman	D2/973
D838,454 S *	1/2019	Ikeda	D2/969
D858,080 S *	9/2019	Petrie	D2/973
D858,081 S *	9/2019	Taylor	D2/973
D858,082 S *	9/2019	McMillan	D2/973
2011/0010965 A1*	1/2011	Shepherd	A43B 5/00 36/114

* cited by examiner

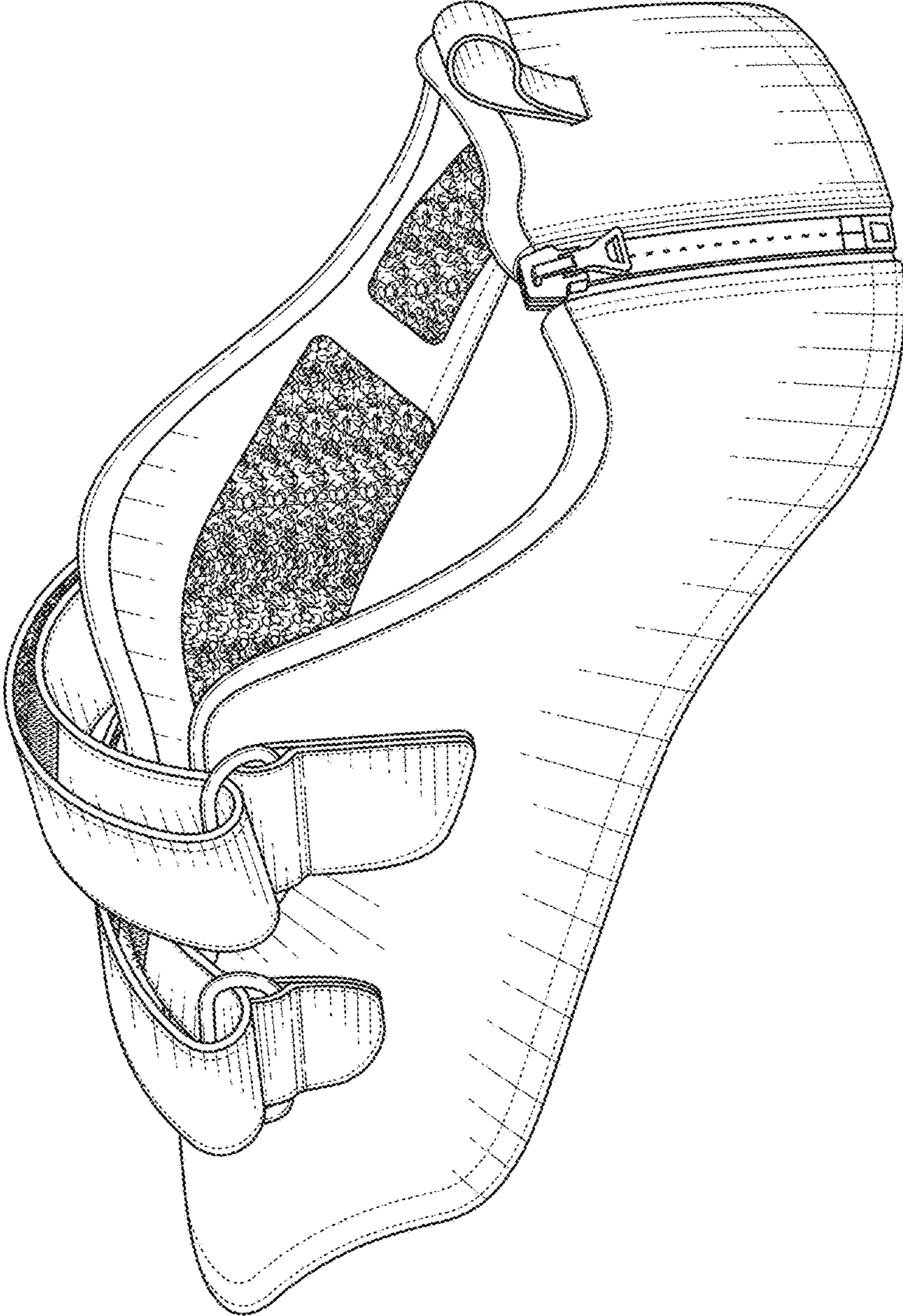


FIG. 1

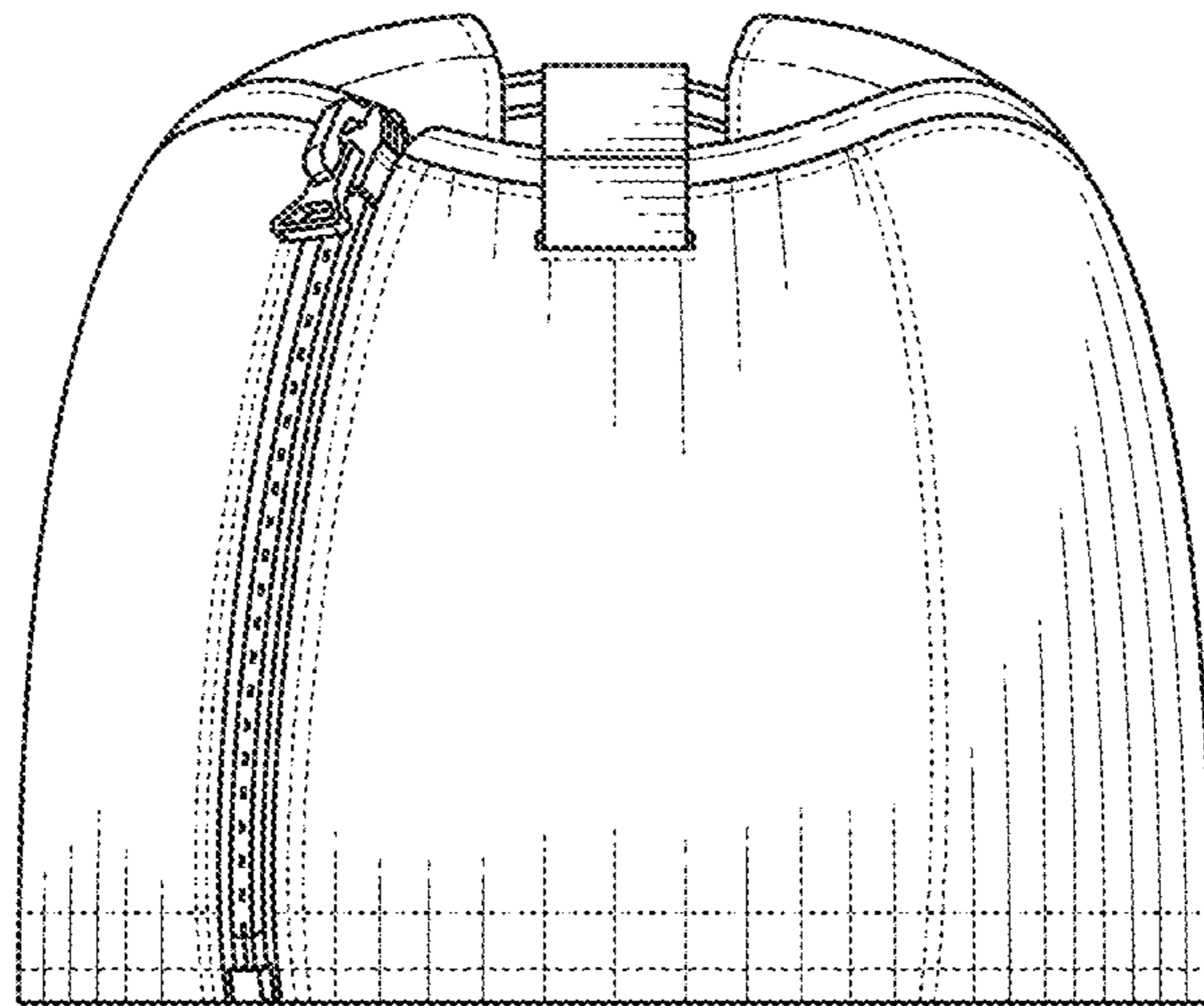


FIG. 2

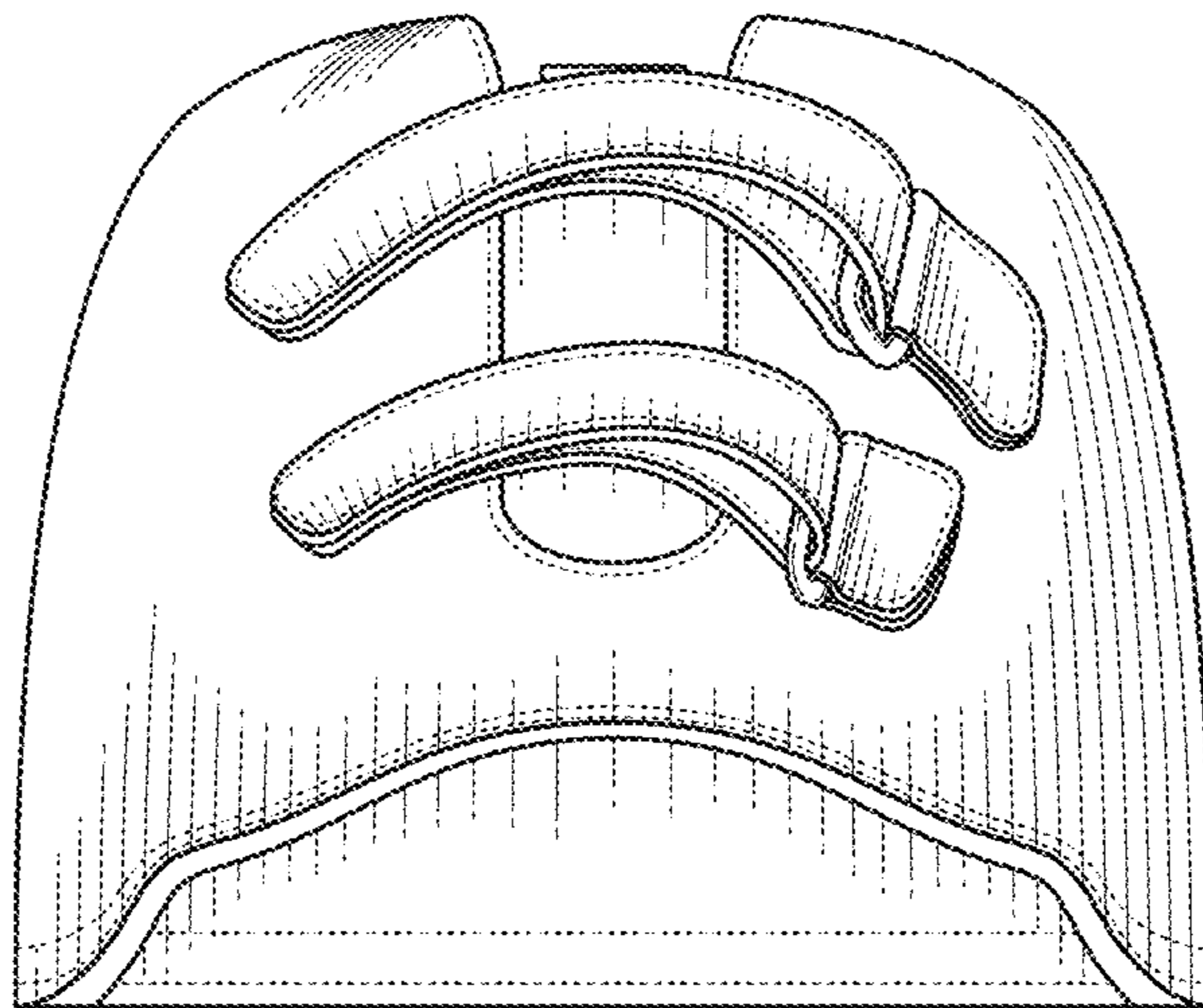


FIG. 3

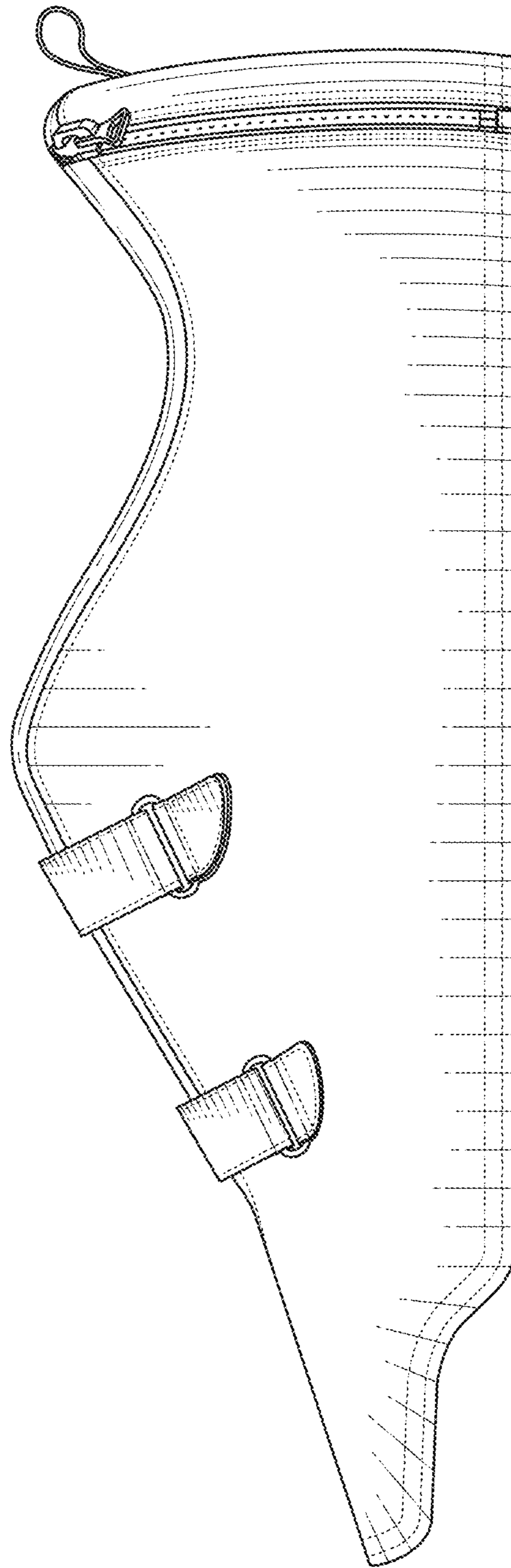


FIG. 4

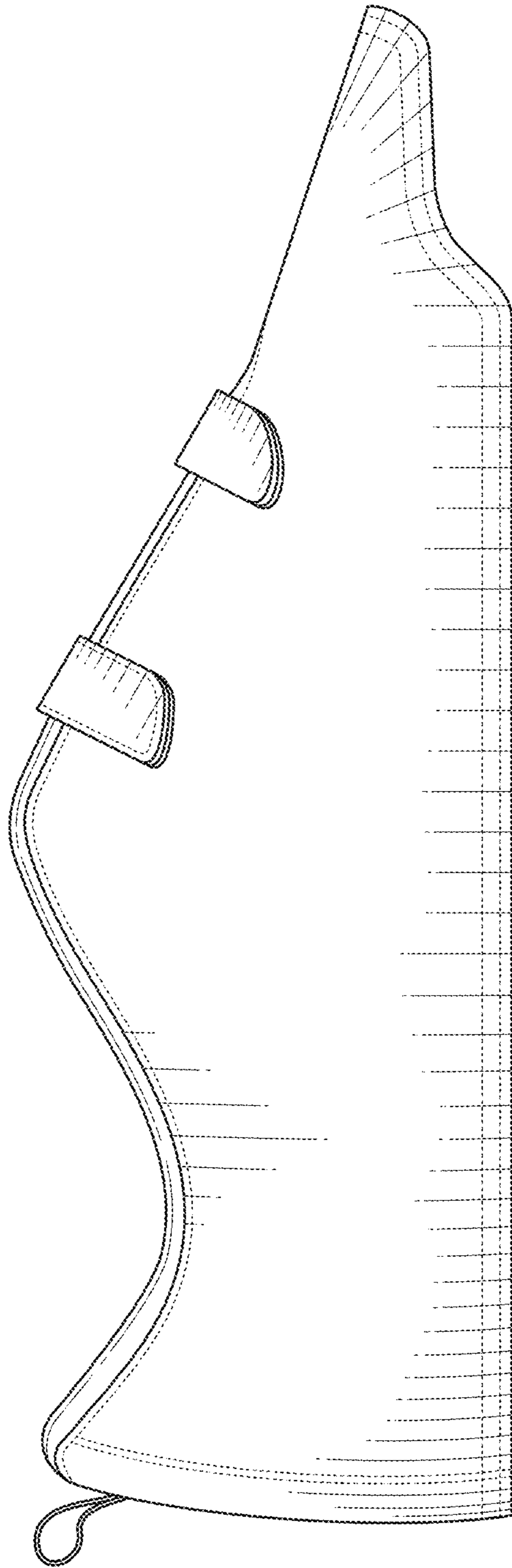


FIG. 5

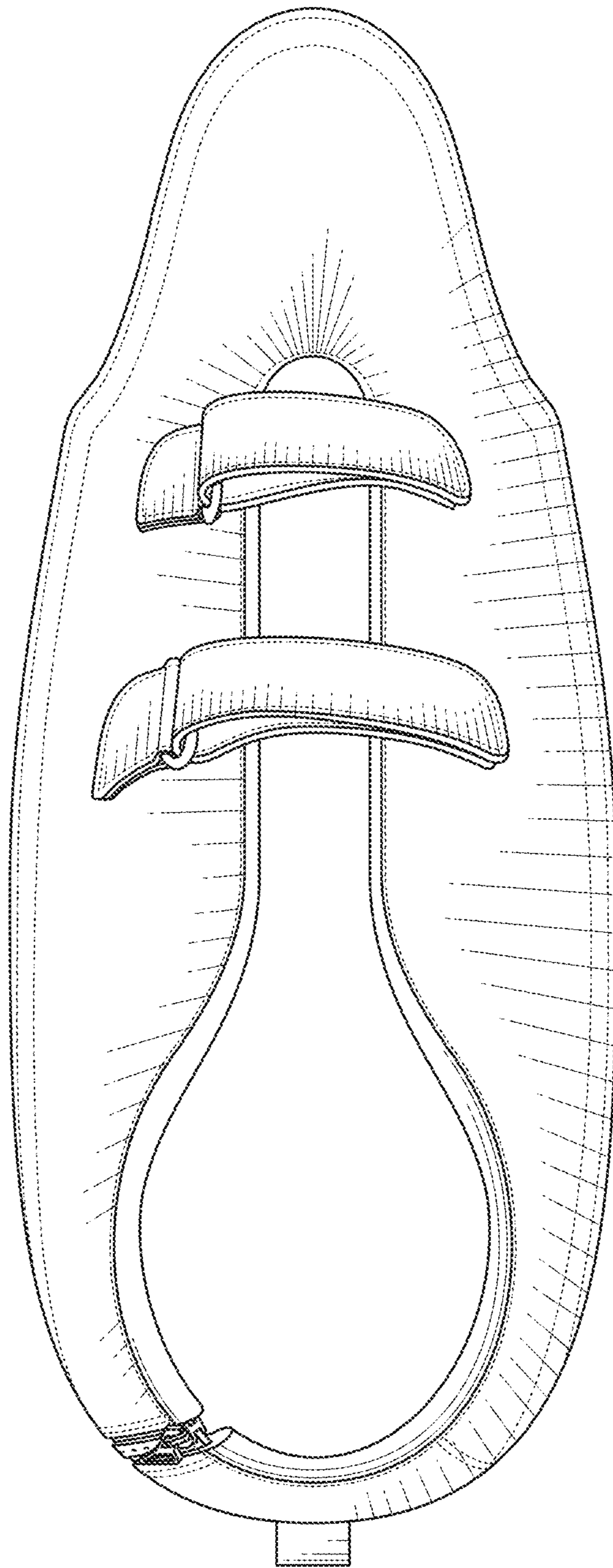


FIG. 6

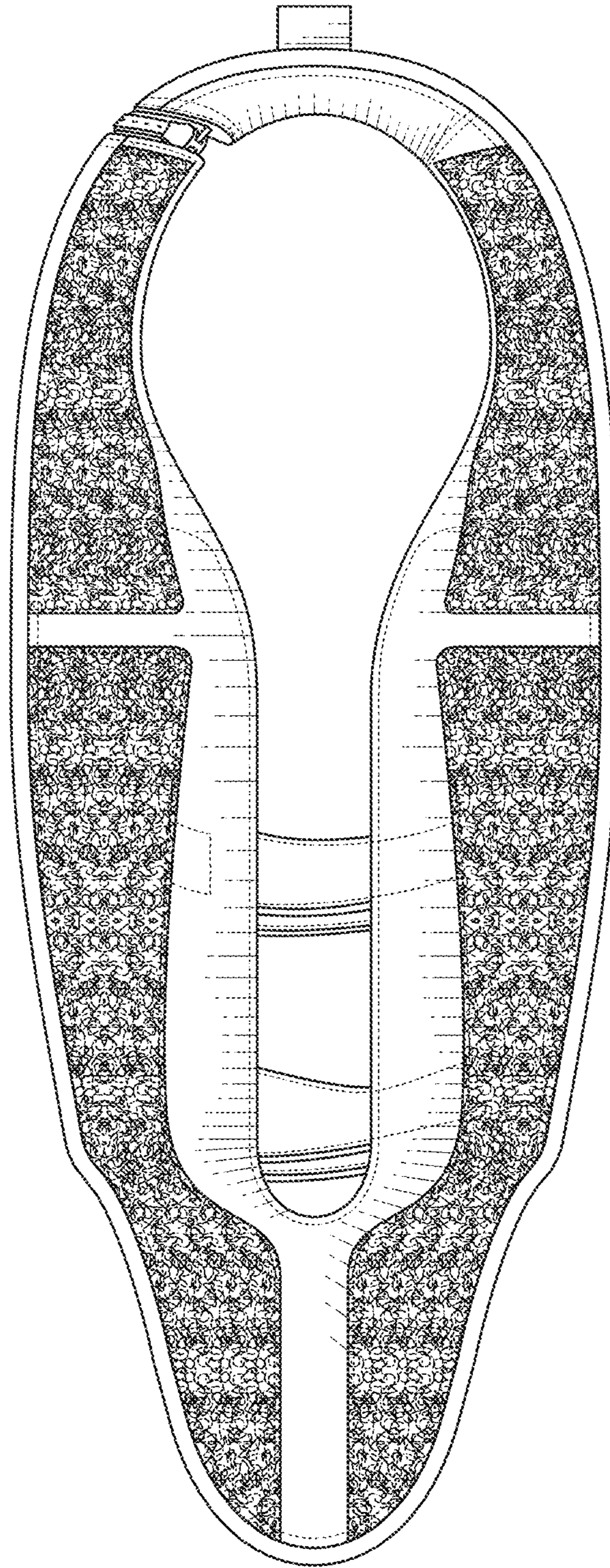


FIG. 7

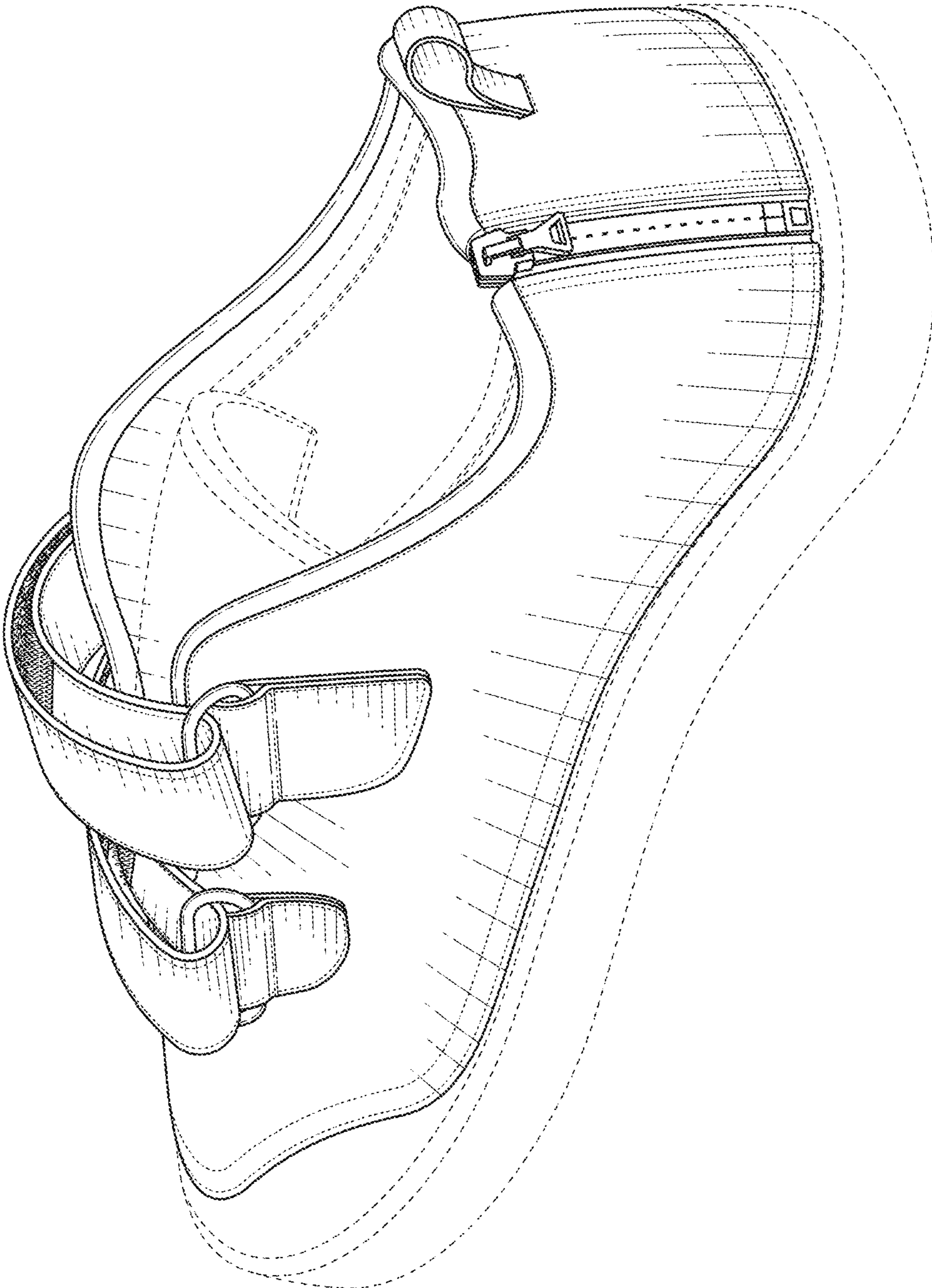


FIG. 8