



US00D866928S

(12) **United States Design Patent**
Aronson et al.

(10) **Patent No.: US D866,928 S**

(45) **Date of Patent: ** Nov. 19, 2019**

- (54) **MORTARBOARD ATTACHMENT**
- (71) Applicant: **Humboldt Productions L.L.C.**,
Shoreview, MN (US)
- (72) Inventors: **Ann Aronson**, Minneapolis, MN (US);
Peter M. Kramer, Shoreview, MN (US)
- (73) Assignee: **Humboldt Productions L.L.C.**,
Shoreview, MN (US)

- D188,032 S * 5/1960 Simon D2/869
- 3,056,969 A * 10/1962 Speros A42B 1/004
2/171
- 3,134,107 A * 5/1964 Kelly A42B 1/02
2/171.01
- D282,118 S * 1/1986 Mengwasser D11/117
- D287,891 S * 1/1987 Cavaliere D2/869
- 4,845,783 A * 7/1989 Motley A42B 1/004
2/171.04
- D321,274 S * 11/1991 Hun D2/872
- D390,341 S * 2/1998 Levy D2/869
- D393,345 S * 4/1998 Clegg D11/70

(Continued)

(**) Term: **15 Years**

Primary Examiner — Karen S Acker

(21) Appl. No.: **29/656,537**

Assistant Examiner — Jasmine Mlinarcik

(22) Filed: **Jul. 13, 2018**

(74) *Attorney, Agent, or Firm* — Grumbles Law, PLLC;
Brittany Nanzig

(51) **LOC (12) Cl.** **02-03**

(52) **U.S. Cl.**
USPC **D2/891; D2/895**

(58) **Field of Classification Search**
USPC D2/865, 866, 869, 870, 871, 872, 873,
D2/874, 875, 876, 877, 878, 879, 880,
D2/881, 882, 883, 884, 885, 886, 887,
D2/888, 889, 890, 891, 892, 894, 895;
D16/100, 300, 306; D20/10, 11, 19, 23,
D20/27, 34, 36, 38, 42; D29/122
CPC A42B 1/00; A42B 1/004; A42B 1/006;
A42B 1/02; A42B 1/04; A42B 1/041;
A42B 1/045; A42B 1/062; A42B 1/14;
A42B 1/16; A42B 1/20; A42B 1/208;
A42B 1/24; A42B 1/248; A42B 3/00;
A42B 3/04; A42B 3/0406; A42C 5/00;
A42C 5/02

See application file for complete search history.

(56) **References Cited**

U.S. PATENT DOCUMENTS

- 2,289,370 A * 7/1942 Krag A42B 1/02
2/171.01
- D187,178 S * 2/1960 Knaust D2/871

(57) **CLAIM**

The ornamental design for a mortarboard attachment, as shown and described.

DESCRIPTION

FIG. 1 is a top perspective view of a mortarboard attachment showing our new design.

FIG. 2 is a front elevational view of the mortarboard attachment.

FIG. 3 is a back elevational view of the mortarboard attachment.

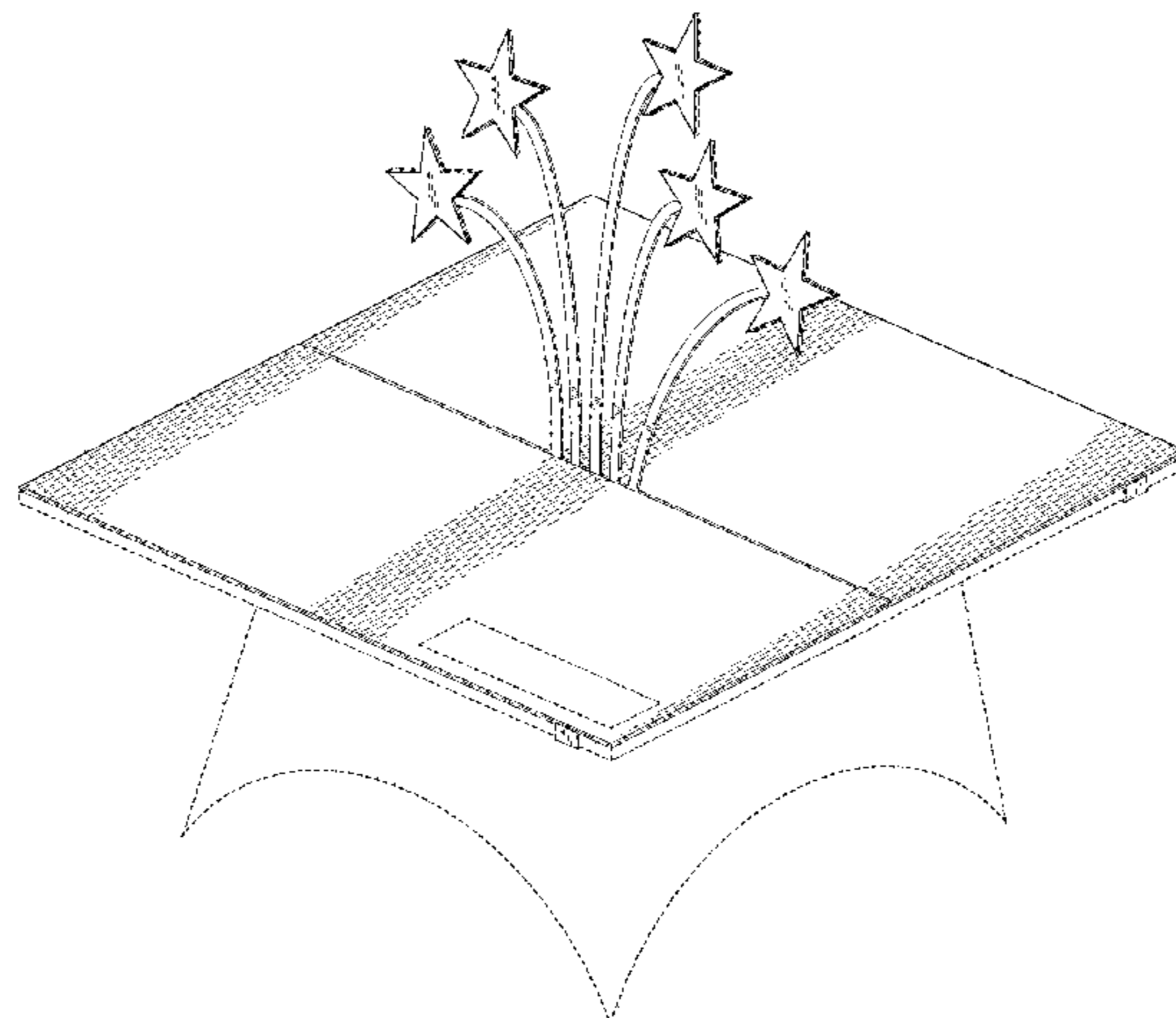
FIG. 4 is a top plan view of the mortarboard attachment.

FIG. 5 is a bottom plan view of the mortarboard attachment.

FIG. 6 is a left side view of the mortarboard attachment; and, FIG. 7 is a right side view of the mortarboard attachment.

The rectangular feature drawn in broken lines depicts a portion of the mortarboard attachment that forms no part of the claimed design. All other broken lines which illustrate a mortarboard cap depict environmental structure that forms no part of the claimed design.

1 Claim, 7 Drawing Sheets



(56)

References Cited

U.S. PATENT DOCUMENTS

D783,951 S *	4/2017	Catanzaro	D2/895
2007/0033705 A1 *	2/2007	Dickson	A42B 1/02 2/175.6

* cited by examiner

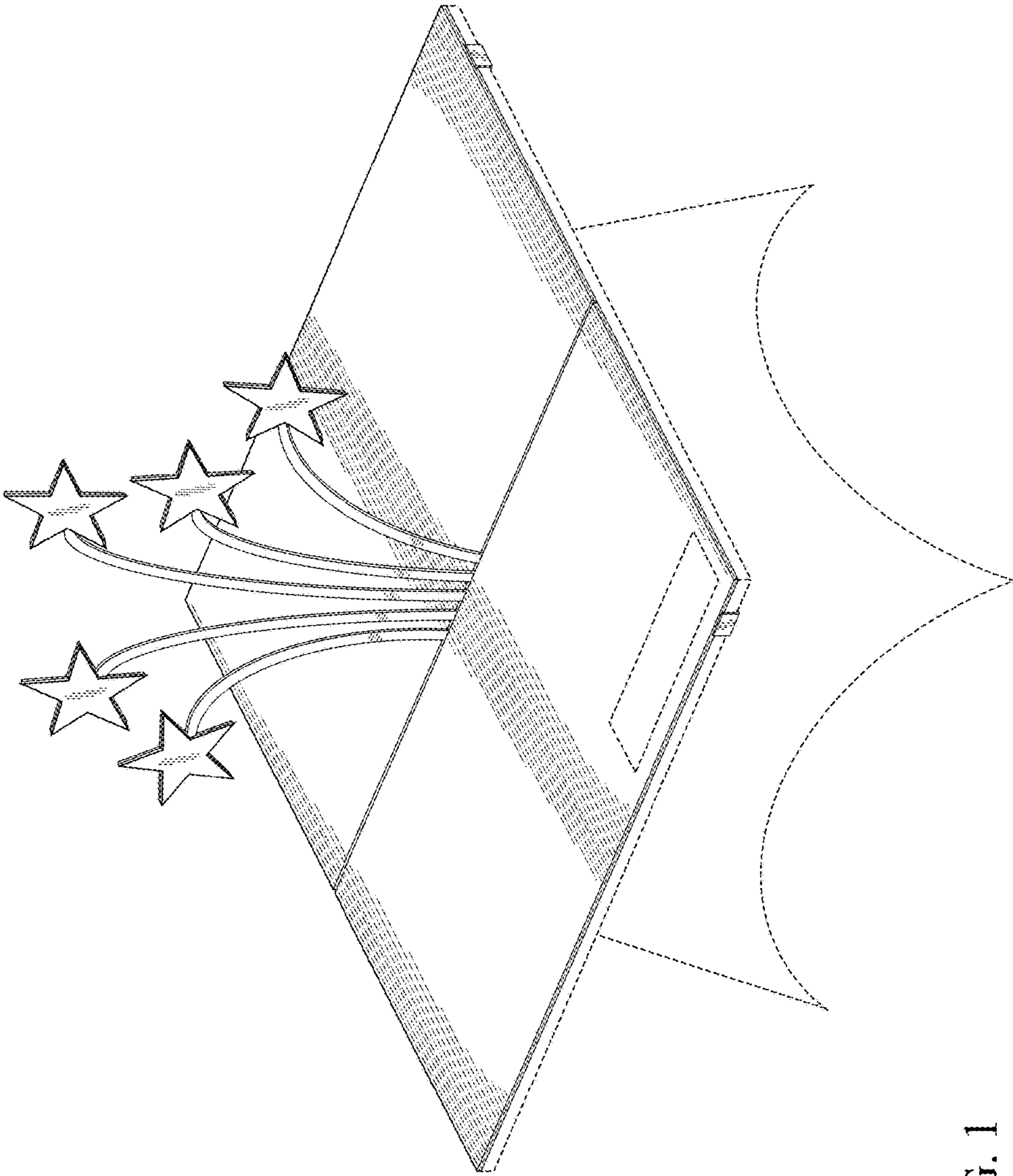


FIG. 1

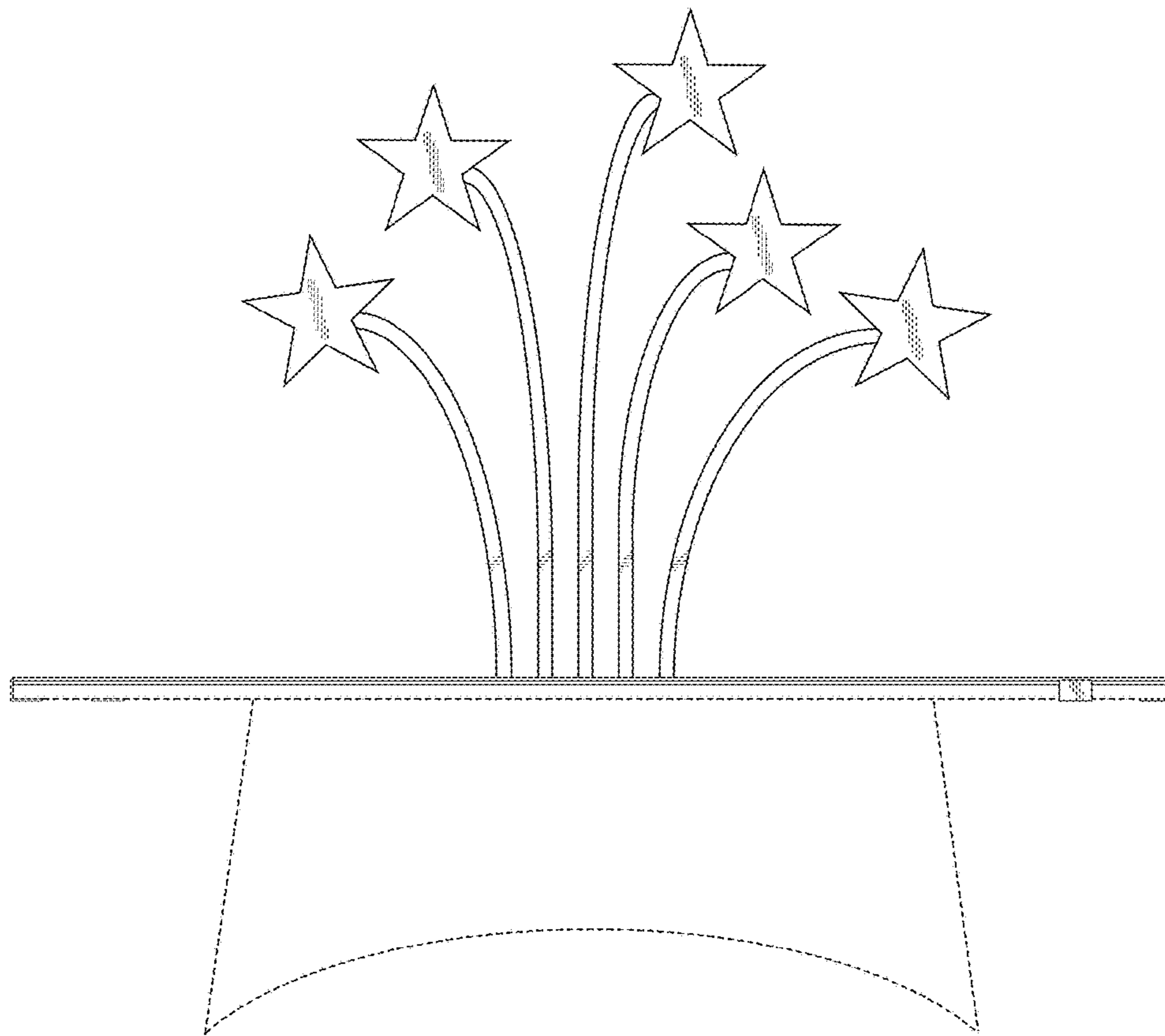


FIG. 2

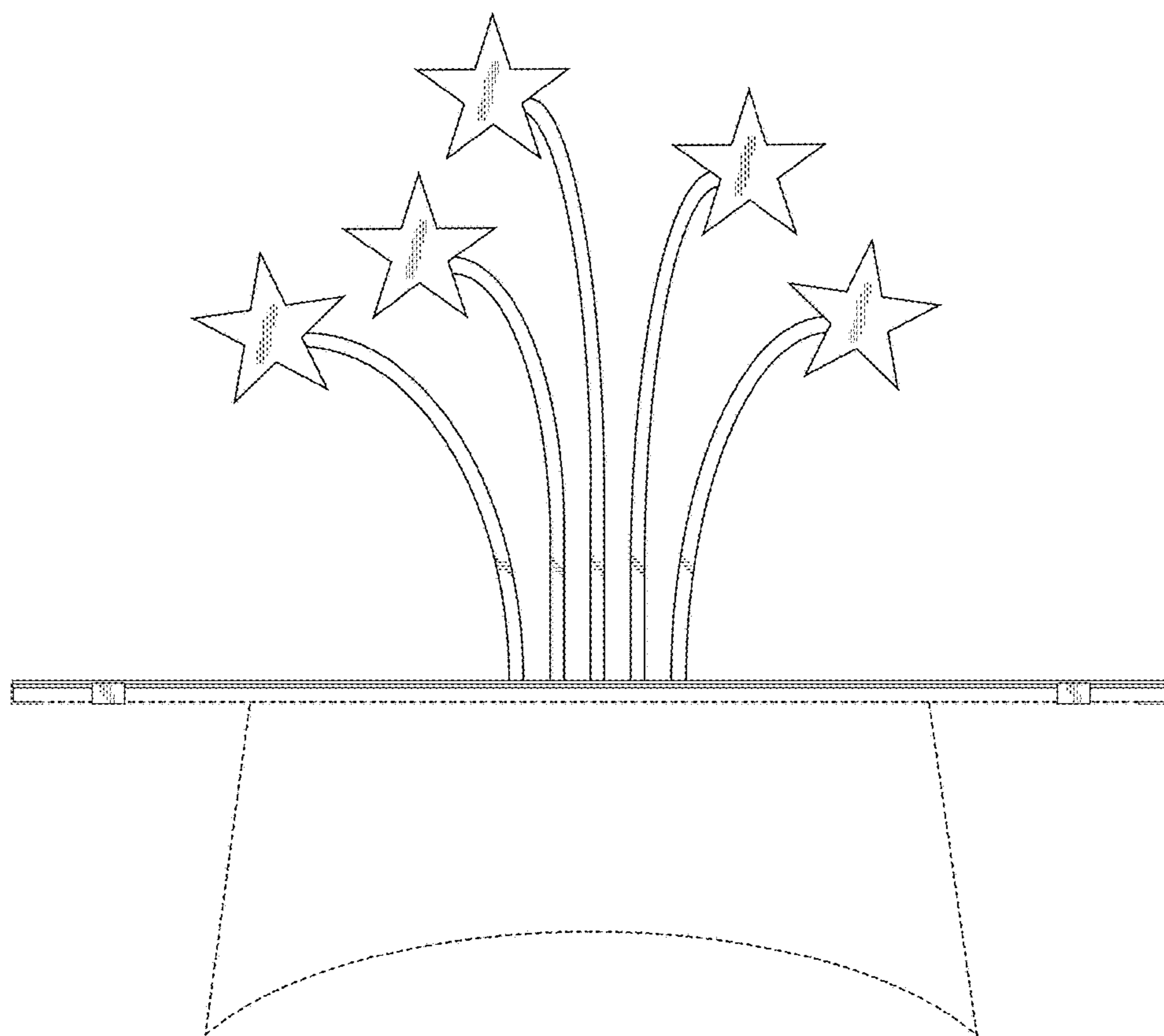


FIG. 3

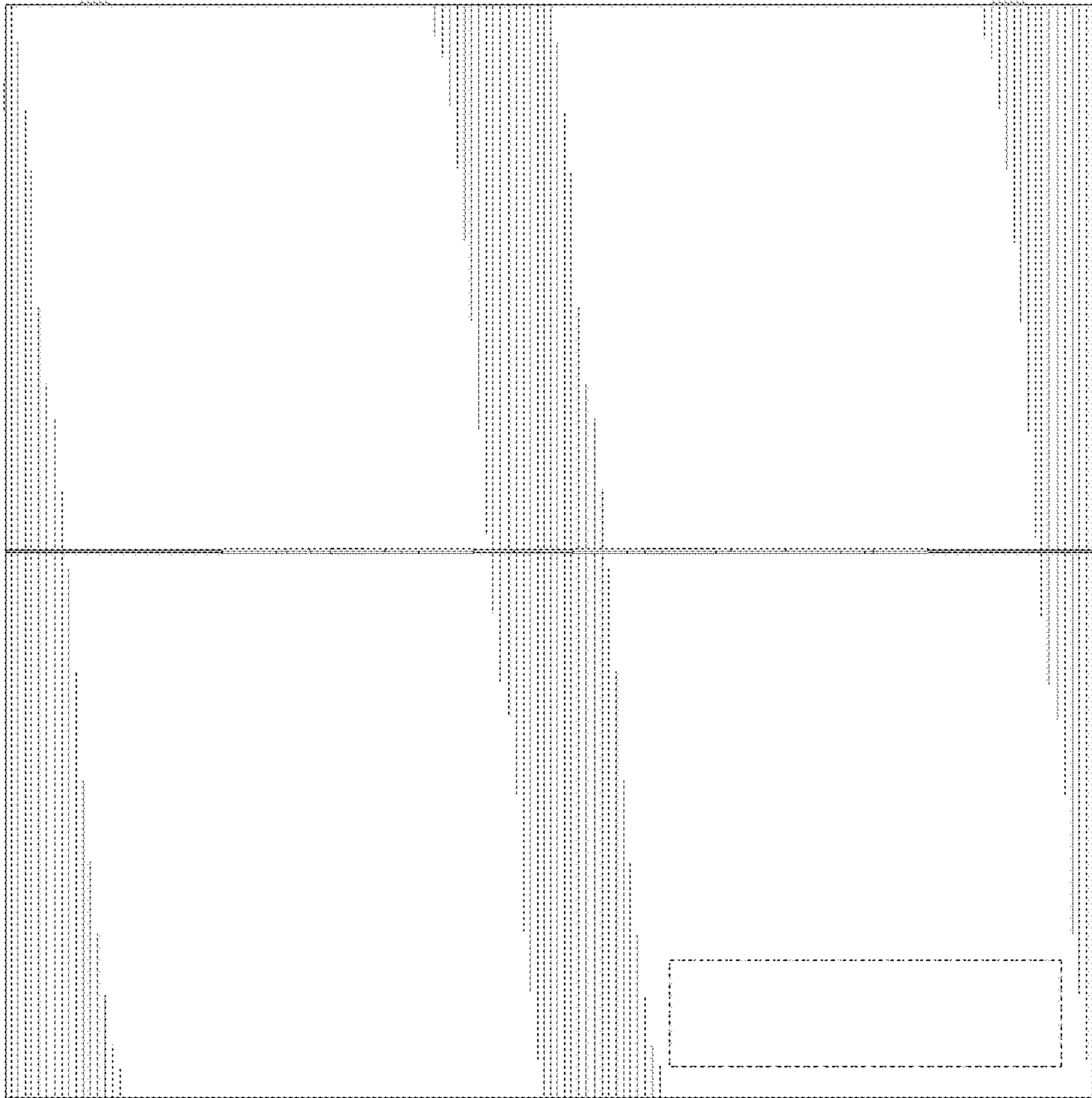


FIG. 4

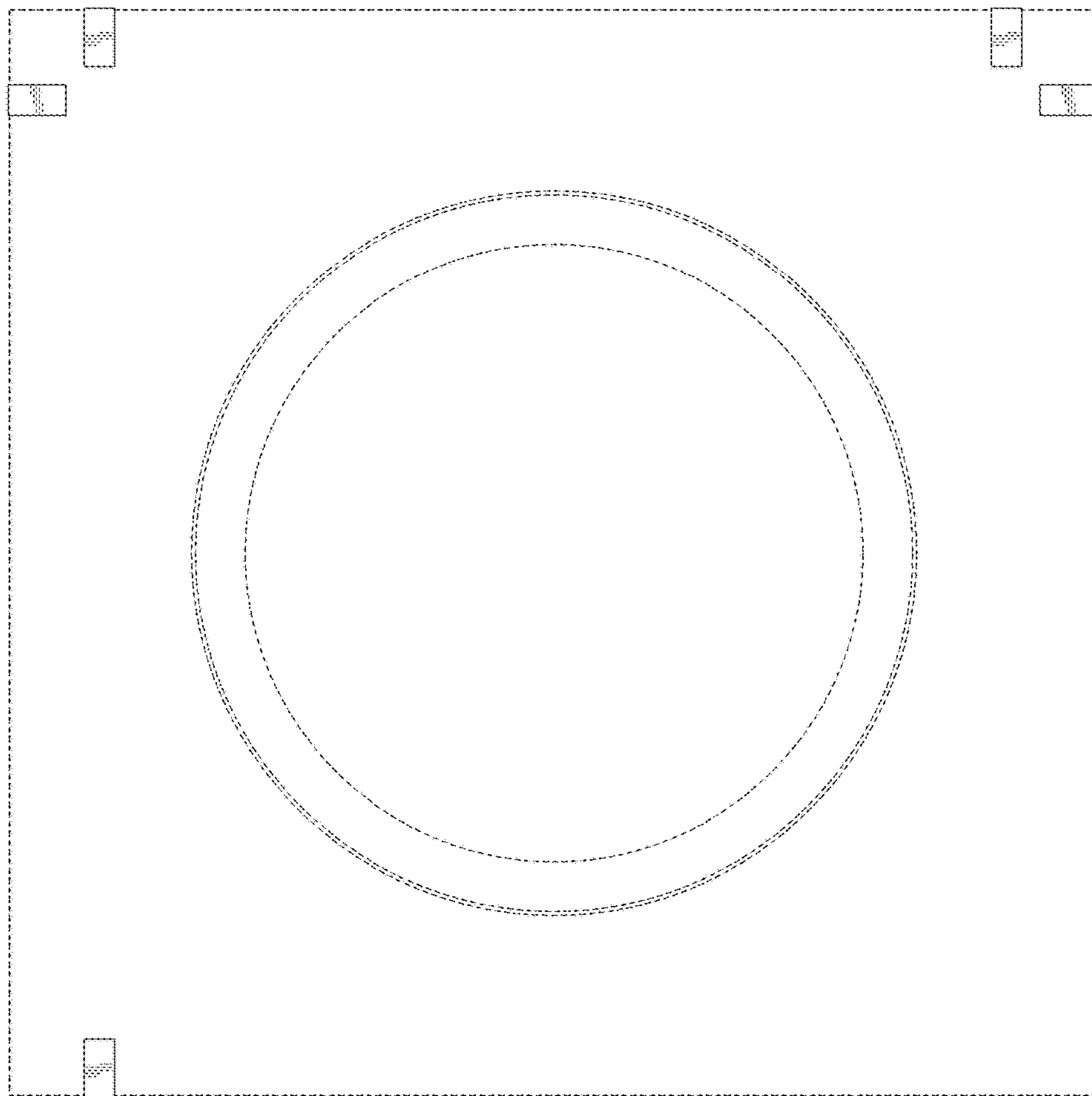


FIG. 5

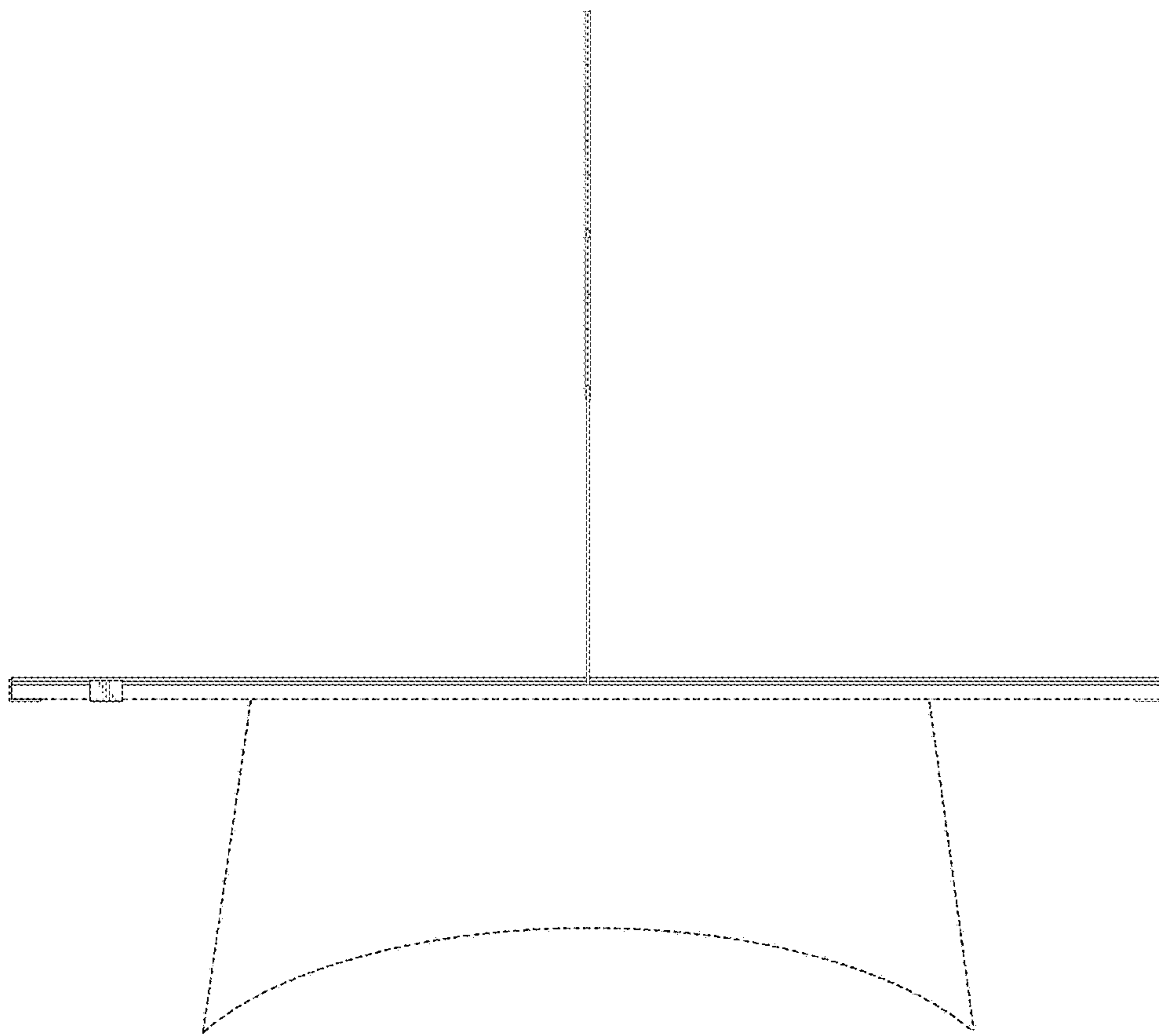


FIG. 6

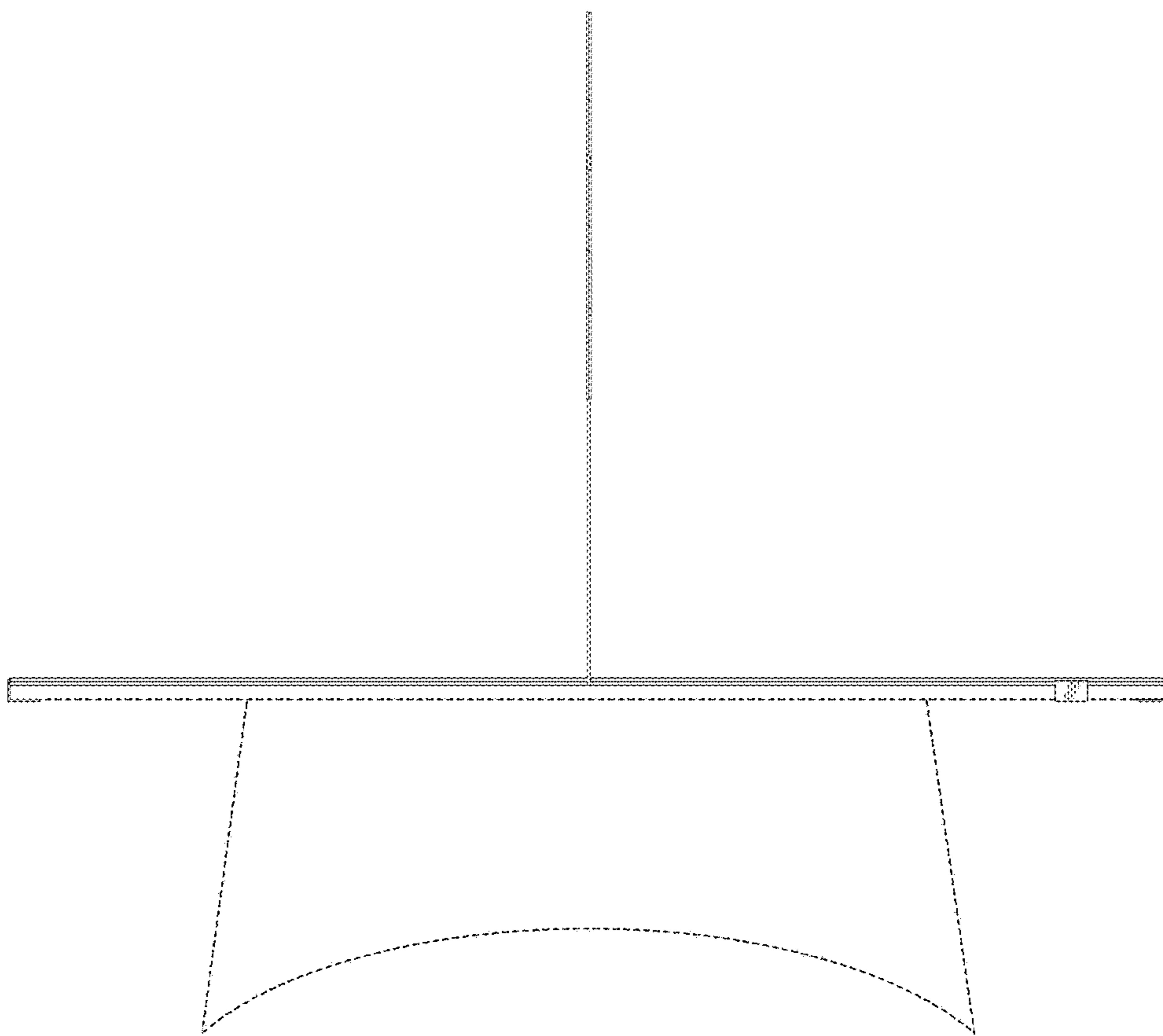


FIG. 7