



US00D866926S

(12) **United States Design Patent**  
**Kelliher**

(10) **Patent No.:** **US D866,926 S**

(45) **Date of Patent:** **\*\* Nov. 19, 2019**

(54) **HAT HAVING ATTACHABLE COMPONENTS**

(71) Applicant: **Sarah Kelliher**, Chatham, NJ (US)

(72) Inventor: **Sarah Kelliher**, Chatham, NJ (US)

(\*\*) Term: **15 Years**

(21) Appl. No.: **29/637,006**

(22) Filed: **Feb. 13, 2018**

(51) **LOC (12) Cl.** ..... **02-03**

(52) **U.S. Cl.**  
USPC ..... **D2/866**

(58) **Field of Classification Search**

USPC ..... D2/865, 866, 867, 868, 869, 870, 871,  
D2/872, 873, 874, 875, 876, 877, 878,  
D2/879, 880, 881, 882, 883, 884, 885,  
D2/886, 887, 888, 889, 890, 891, 892,  
D2/893, 894, 895; D11/220, 222, 223,  
D11/226, 227, 228; D29/102, 103, 122,  
D29/129

CPC .. A42B 1/00; A42B 1/004; A42B 1/02; A42B  
1/062; A42B 1/248; A42B 3/00

See application file for complete search history.

(56) **References Cited**

**U.S. PATENT DOCUMENTS**

2,505,403 A \* 4/1950 Jacobi ..... A42B 1/002  
2/175.4  
D188,368 S \* 7/1960 Hale ..... D29/105  
3,273,162 A \* 9/1966 Andrews, III ..... A42B 3/065  
2/410  
D206,480 S \* 12/1966 Raschke ..... D29/104  
D411,908 S \* 7/1999 Richlin ..... D2/866  
D440,743 S \* 4/2001 Thornell ..... D2/882  
D504,003 S \* 4/2005 Lee ..... D2/882  
D655,051 S \* 2/2012 O'Keefe ..... D29/122

8,819,867 B1 \* 9/2014 Boada ..... A42B 1/24  
2/171

9,439,466 B2 \* 9/2016 Woo ..... A42B 1/18  
2018/0055127 A1 \* 3/2018 Plon ..... A42B 1/24

\* cited by examiner

*Primary Examiner* — Karen S Acker

*Assistant Examiner* — Jasmine Mlinarcik

(74) *Attorney, Agent, or Firm* — Gearhart Law LLC

(57) **CLAIM**

The ornamental design for a hat having attachable components, as shown and described.

**DESCRIPTION**

FIG. 1 is a perspective view of the hat having attachable components.

FIG. 2 is a front view thereof.

FIG. 3 is a back view thereof.

FIG. 4 is a left side view thereof.

FIG. 5 is a right side view thereof.

FIG. 6 is a top view thereof.

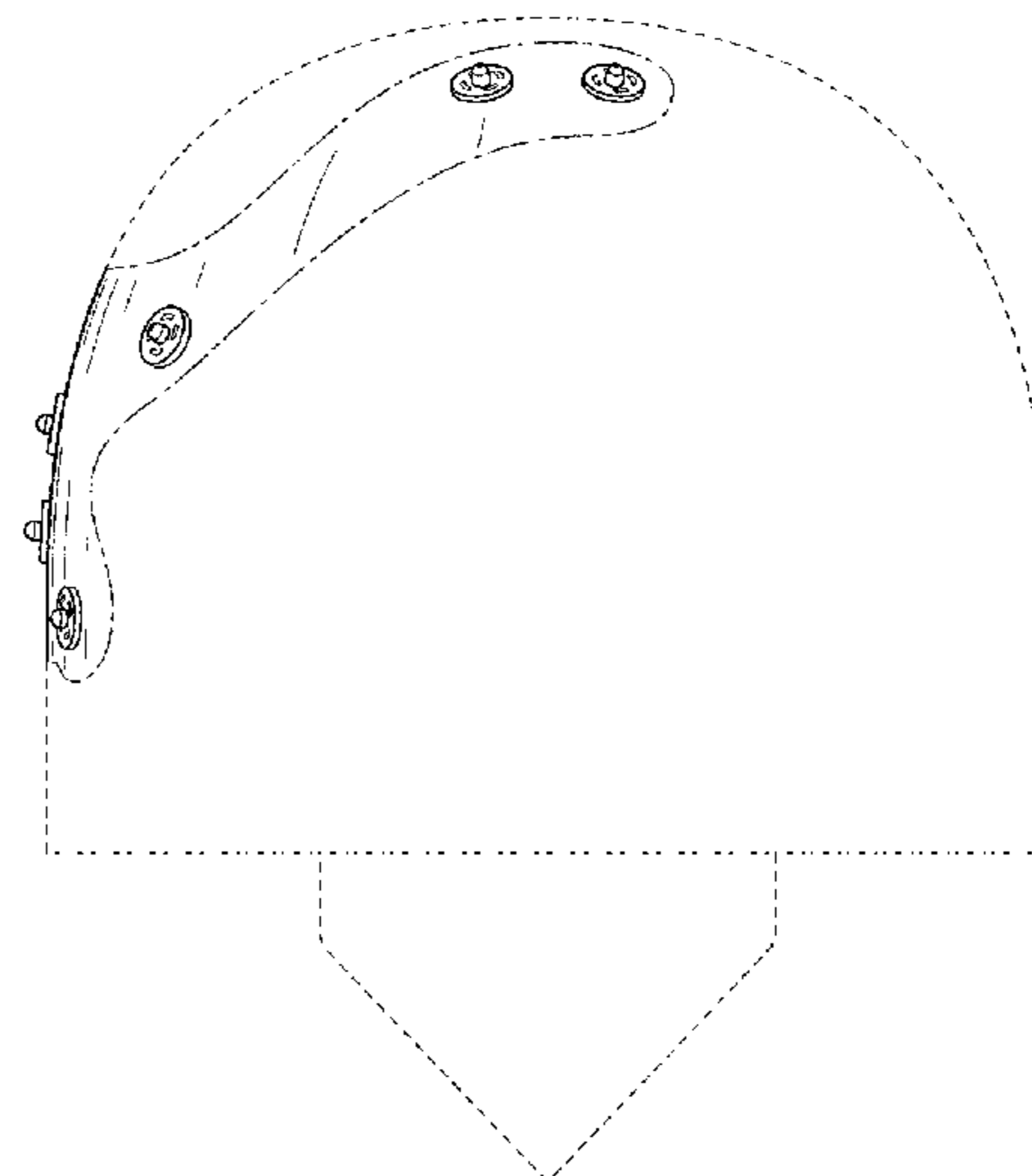
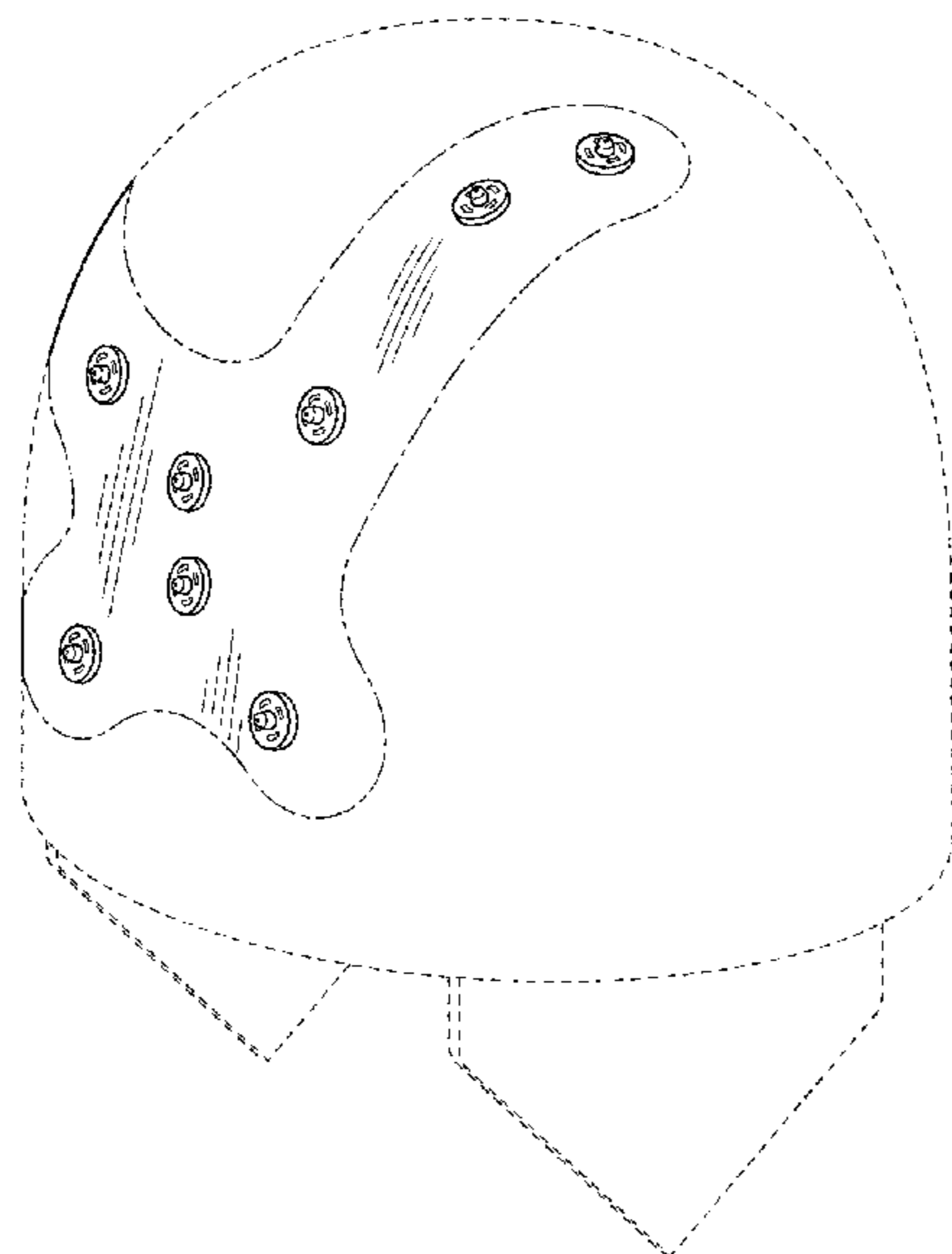
FIG. 7 is a bottom view thereof.

FIG. 8 is a perspective view of the hat having attachable components with the attachable components coupled to the hat; and,

FIG. 9 is an exploded perspective view of the hat and the attachable components shown in FIG. 8.

The dashed broken line showing of the hat depicts portions of the hat that form no part of the claimed design. The dashed broken line showing of the components illustrates environmental structure that forms no part of the claimed design. The dot-dash broken lines depict the bounds of the claim and form no part thereof.

**1 Claim, 6 Drawing Sheets**



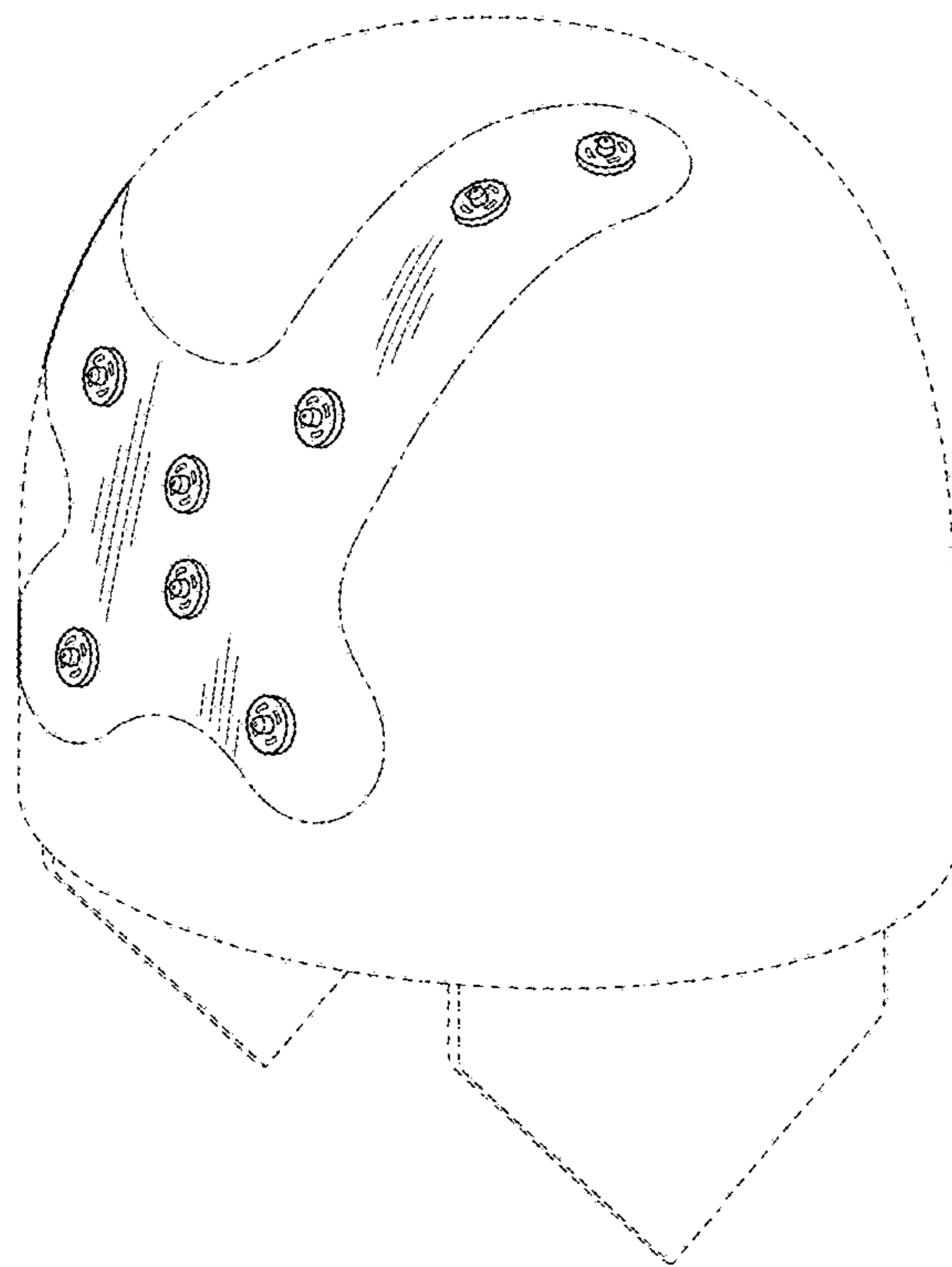


FIG. 1

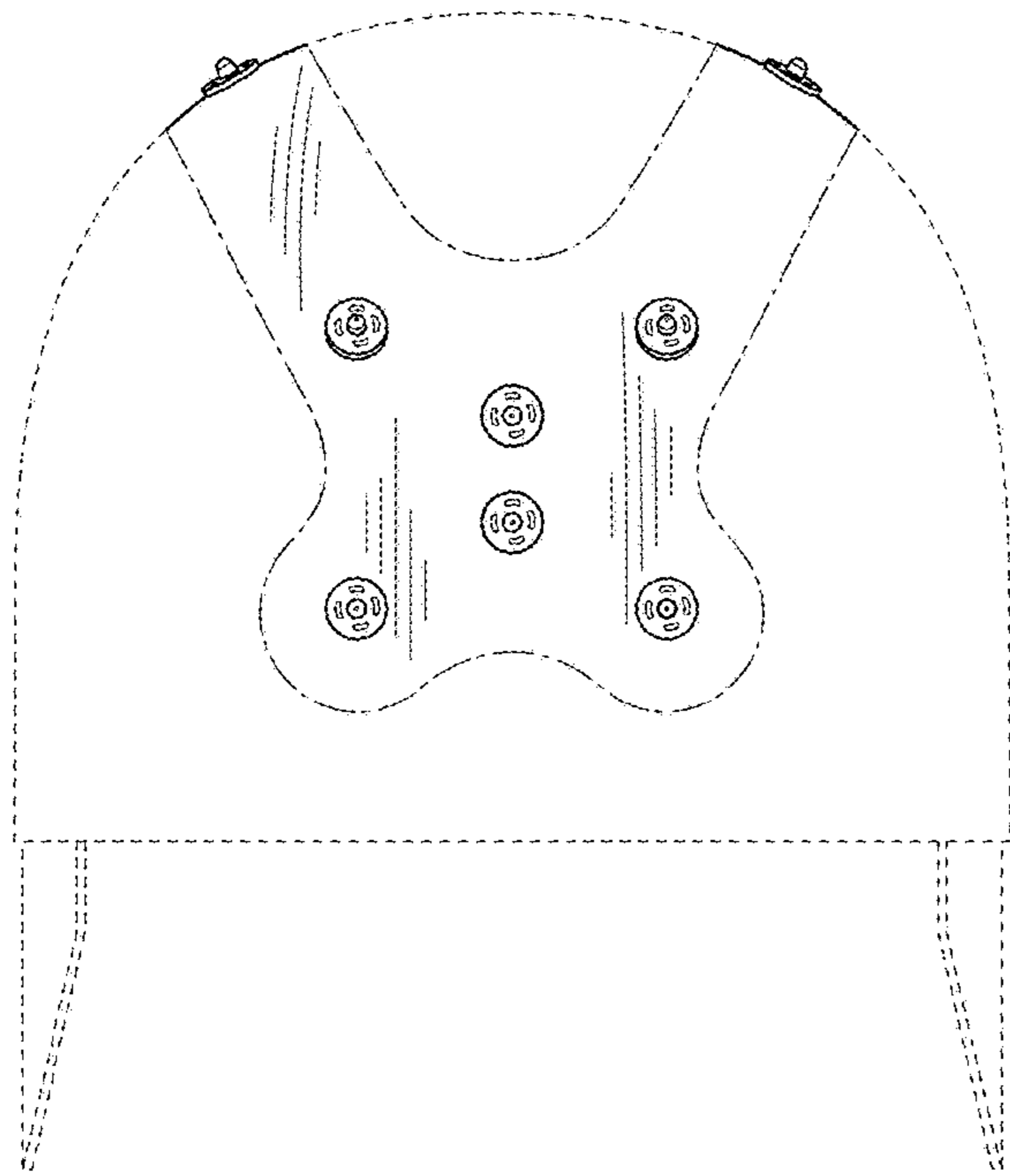


FIG. 2

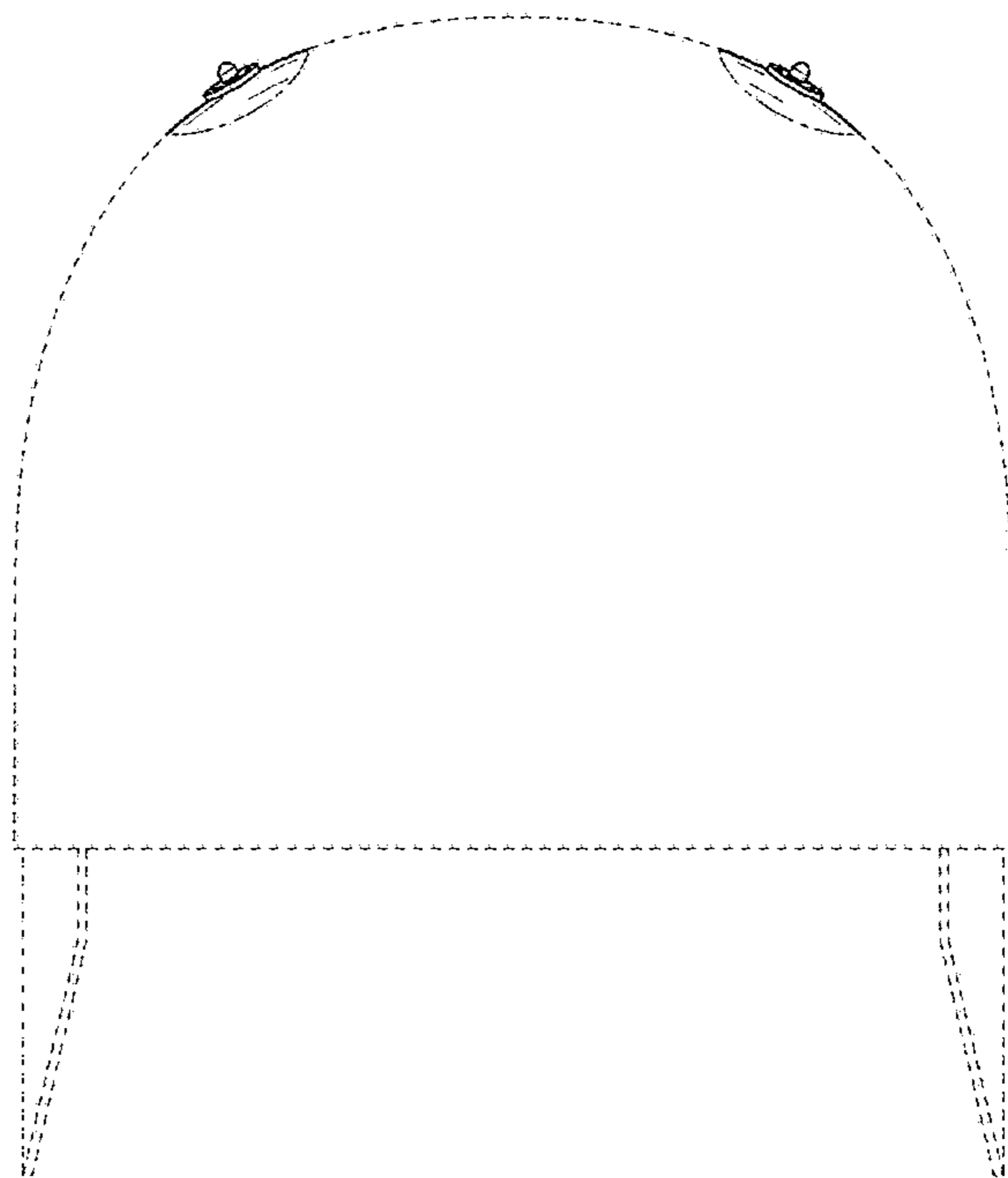


FIG. 3

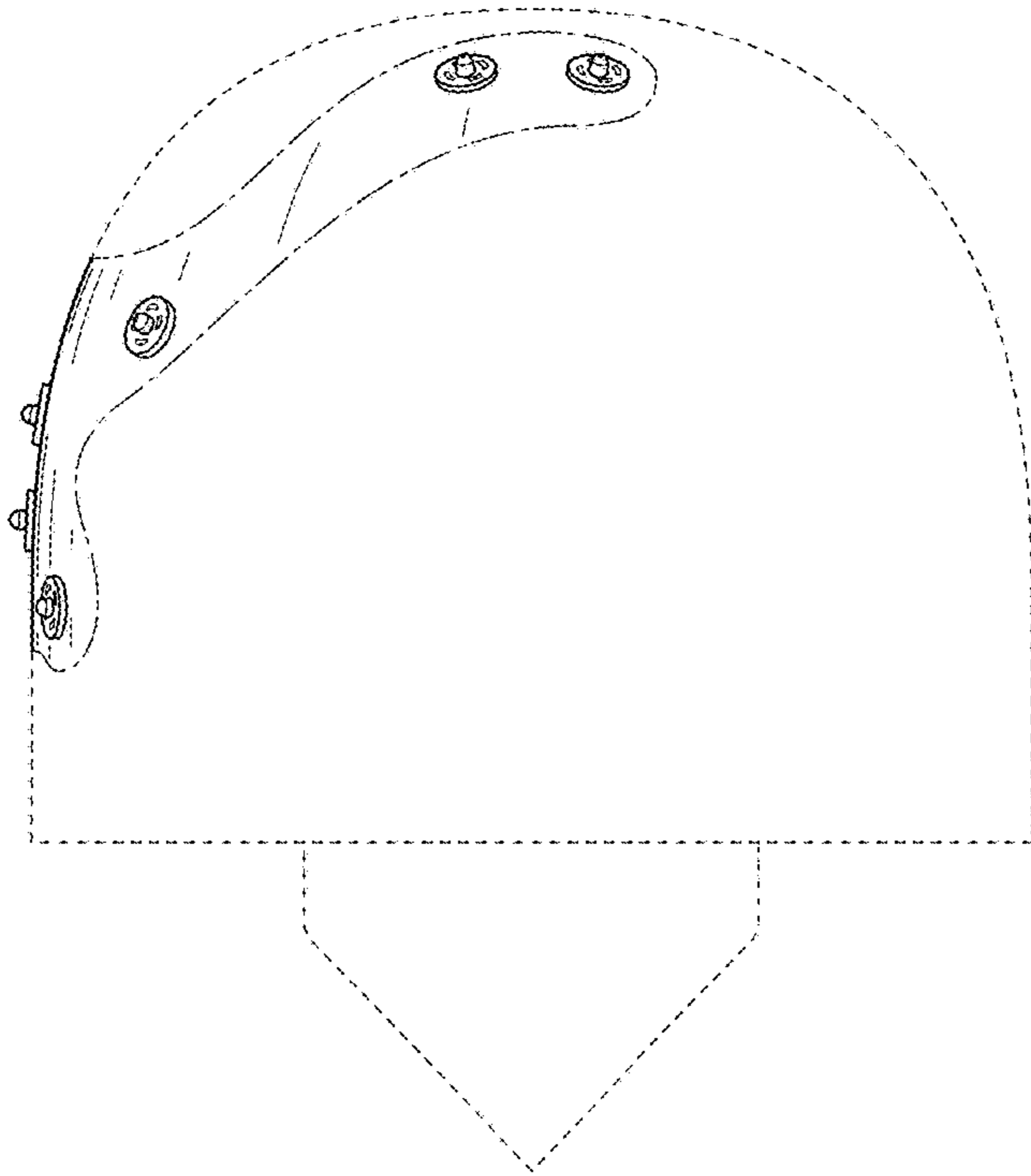


FIG. 4

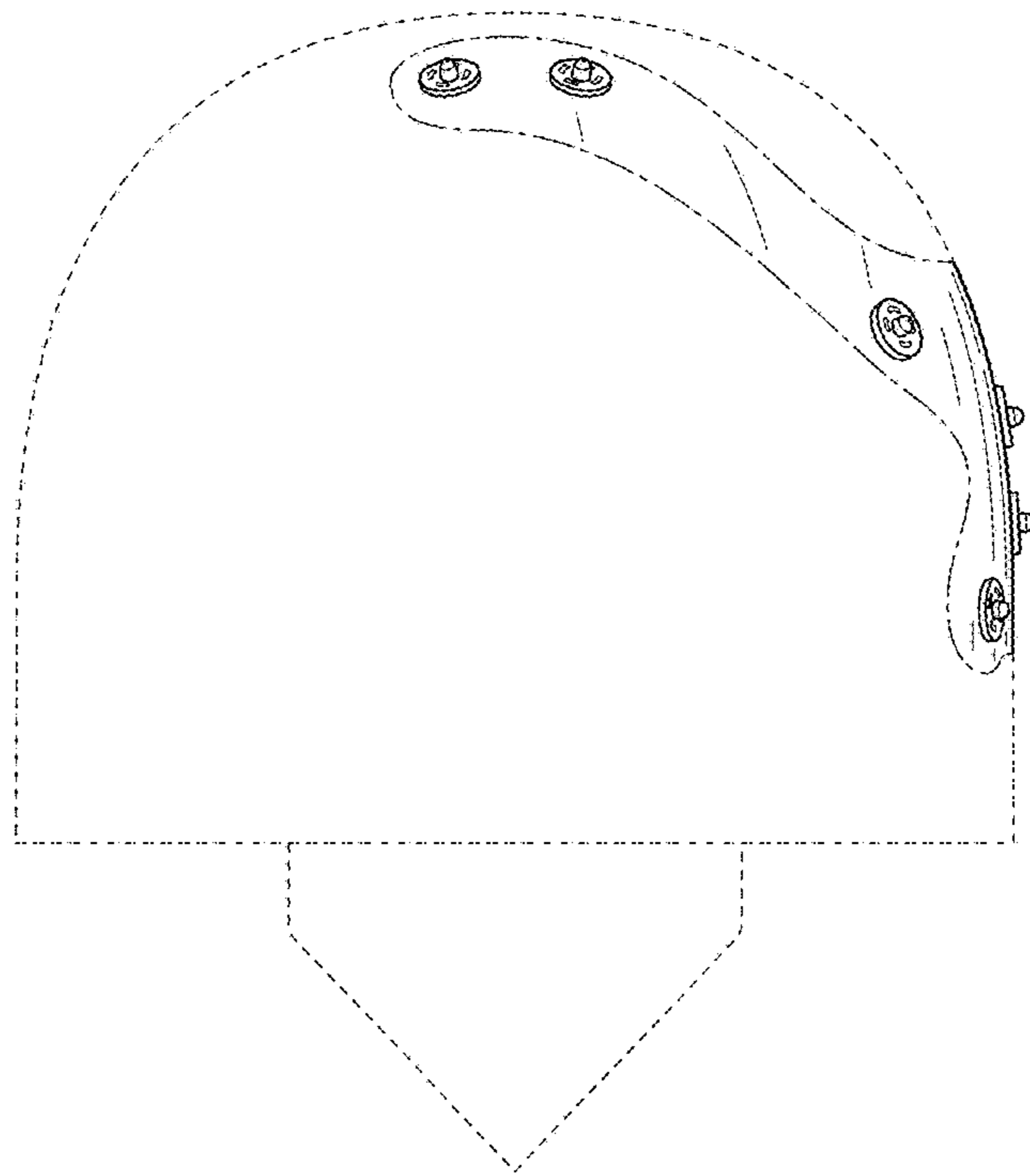


FIG. 5

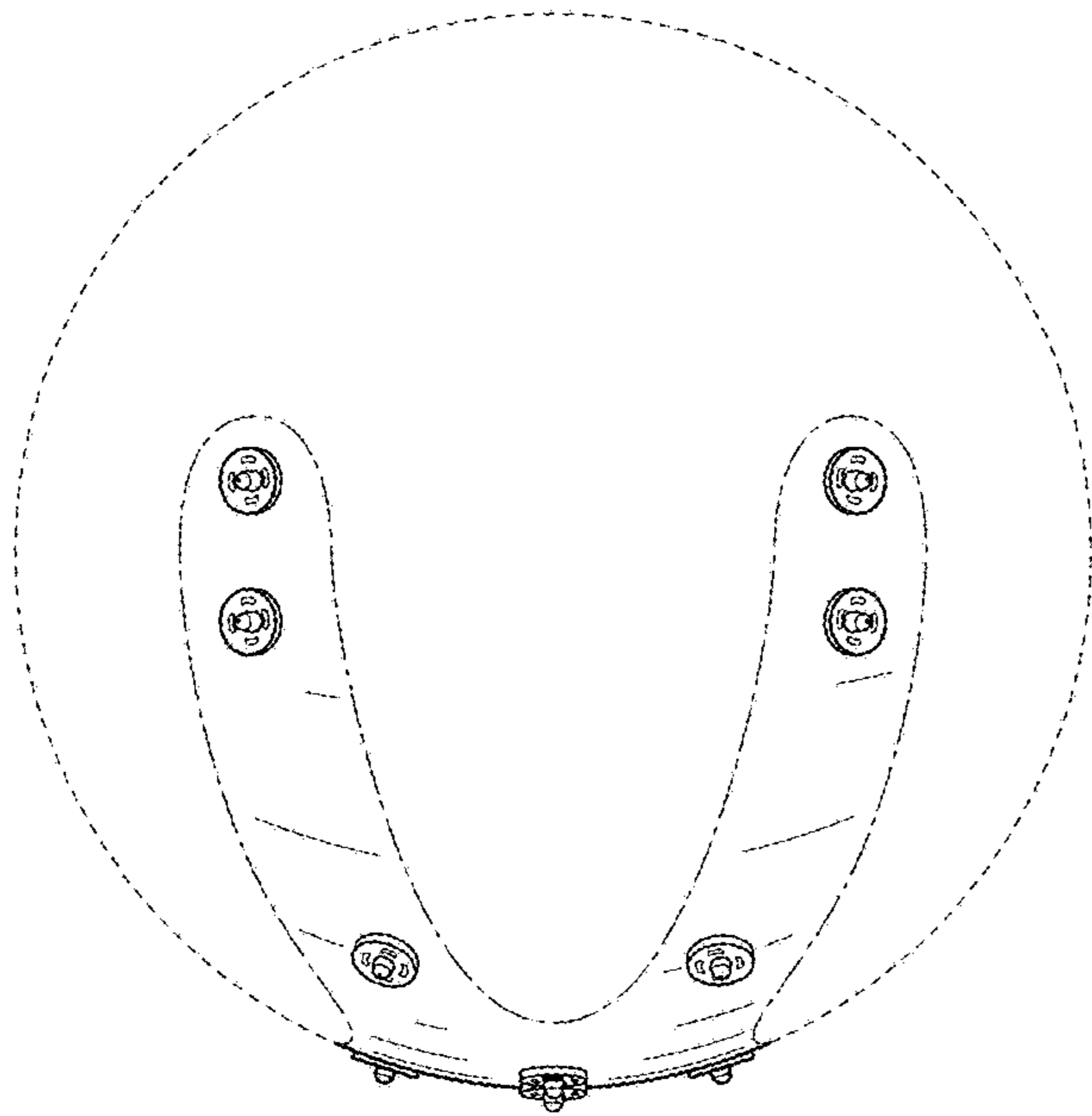


FIG. 6



FIG. 7

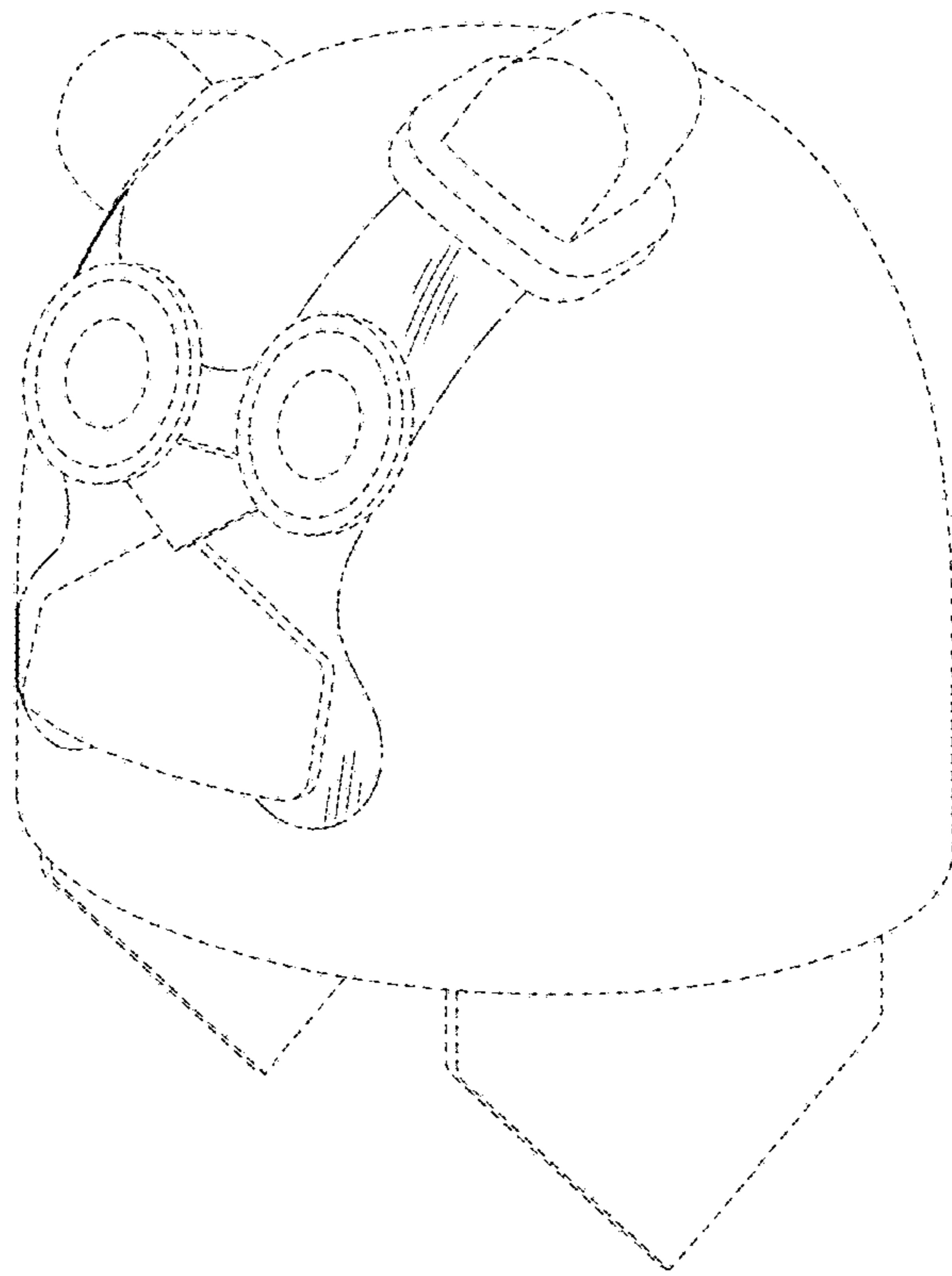


FIG. 8

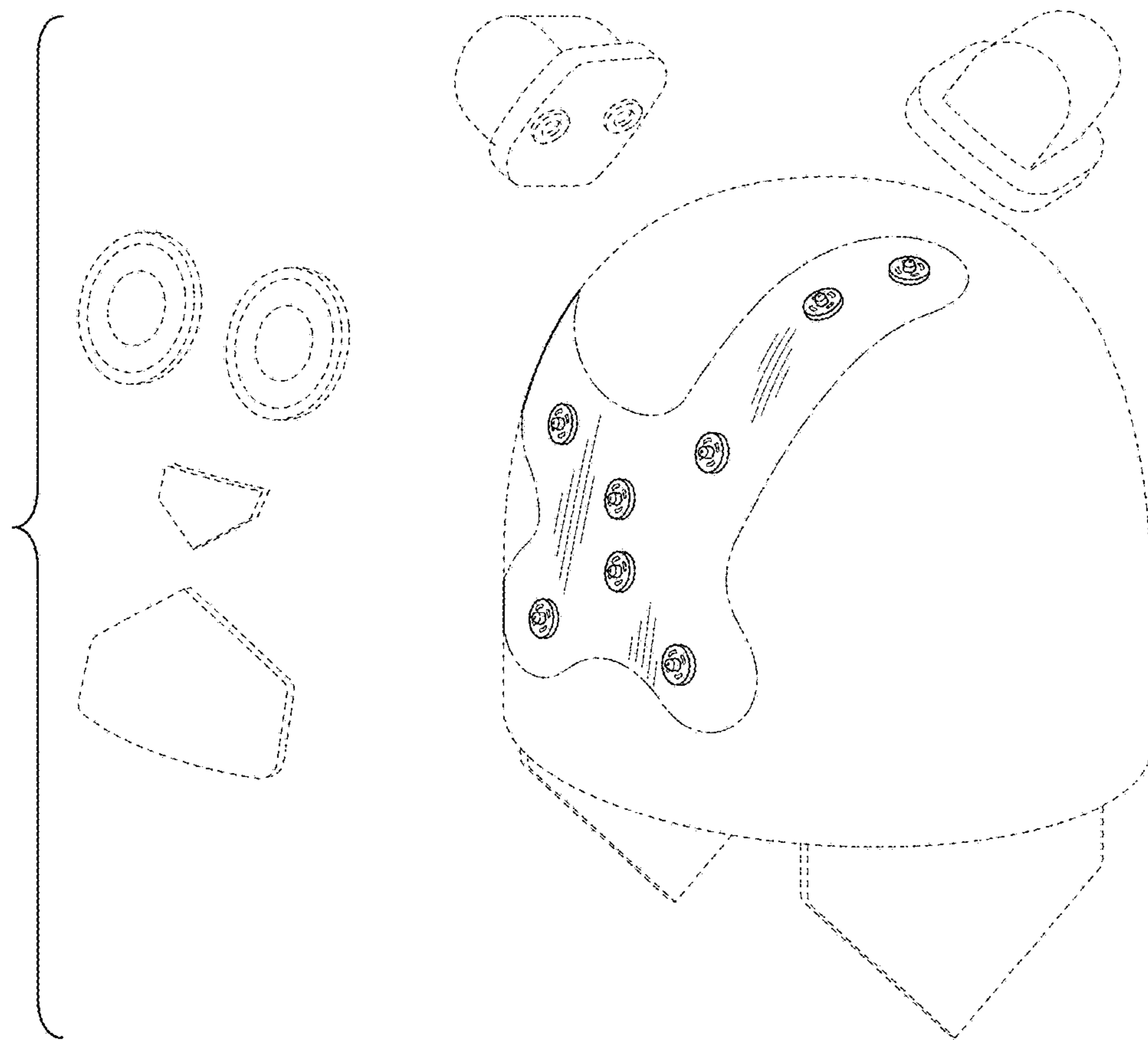


FIG. 9