



US00D866920S

(12) **United States Design Patent** (10) **Patent No.:** **US D866,920 S**  
**Perry** (45) **Date of Patent:** **\*\* Nov. 19, 2019**

(54) **SUSPENDER HOOK**  
(71) Applicant: **Joe Perry**, Mt. Zion, IL (US)  
(72) Inventor: **Joe Perry**, Mt. Zion, IL (US)  
(73) Assignee: **Perry Products, Inc.**, Decatur, IL (US)  
(\*\*) Term: **15 Years**  
(21) Appl. No.: **29/662,429**  
(22) Filed: **Sep. 5, 2018**  
(51) **LOC (12) Cl.** ..... **02-07**  
(52) **U.S. Cl.**  
USPC ..... **D2/640**  
(58) **Field of Classification Search**  
USPC ..... D2/624-629, 631, 636-640, 701;  
D3/224, 226; D11/200; D24/190;  
D30/152  
CPC .. A41F 9/025; A41F 9/02; A41F 9/007; A41F  
9/002; A41F 9/00; A41F 5/00; A41F  
3/04; A41F 3/02; A41F 3/00; A41F  
15/00; A41F 11/16; A41F 11/14; A41F  
11/08; A41F 11/02; A41F 11/00; A41F  
1/08; A41F 1/002; A45F 2003/144  
See application file for complete search history.

(56) **References Cited**  
U.S. PATENT DOCUMENTS  
88,984 A \* 4/1869 Robbins ..... A41F 9/025  
2/309  
348,871 A \* 9/1886 Wales ..... A41F 1/006  
24/199  
D25,861 S \* 8/1896 Mueller ..... D8/383  
D27,688 S \* 9/1897 Field ..... D11/200  
D28,115 S \* 1/1898 Fleming ..... D2/624  
D28,506 S \* 4/1898 Levison ..... D2/624  
D28,535 S \* 5/1898 Eckstein ..... D11/208  
D32,840 S \* 6/1900 Sanders ..... A41F 9/002  
D2/639

836,213 A \* 11/1906 Rayman ..... A41F 9/002  
2/312  
844,286 A \* 2/1907 O'Brien ..... A41F 9/002  
2/301  
1,686,830 A \* 10/1928 Mason ..... A41F 5/00  
24/344  
D316,956 S \* 5/1991 Hoskinson ..... B60R 22/19  
D8/367  
5,350,196 A \* 9/1994 Atkins ..... B60R 22/19  
24/170  
D359,711 S \* 6/1995 Bell ..... A41F 9/002  
D11/200  
D360,288 S \* 7/1995 Freeman ..... A41F 9/002  
D2/639  
5,623,735 A \* 4/1997 Perry ..... A41F 3/00  
2/326

(Continued)

*Primary Examiner* — Kevin K Rudzinski  
*Assistant Examiner* — Clare Ann Gannon  
(74) *Attorney, Agent, or Firm* — Alvin Rockhill

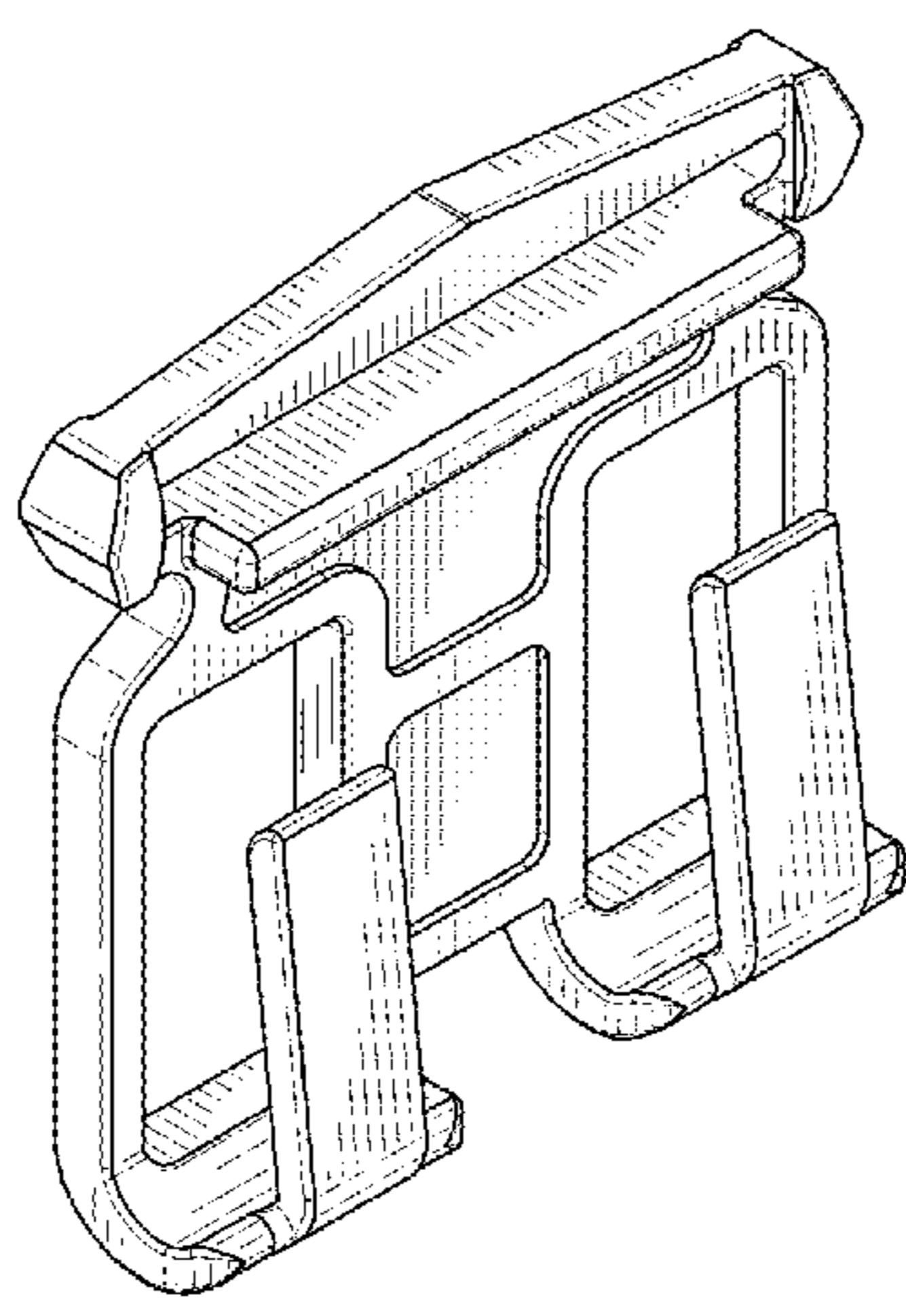
(57) **CLAIM**

The ornamental design for a suspender hook, as shown and described.

**DESCRIPTION**

FIG. 1 is a rear perspective view of a suspender hook showing my new design;  
FIG. 2 is a front perspective view thereof;  
FIG. 3 is rear view thereof;  
FIG. 4 is a front view thereof;  
FIG. 5 is a top view thereof;  
FIG. 6 is a bottom view thereof;  
FIG. 7 is a right side view thereof;  
FIG. 8 is a left side view thereof; and,  
FIG. 9 is a rear view thereof, shown in a position of use with a suspender.  
The broken lines shown in the drawings depict environment that forms no part of the claimed design.

**1 Claim, 4 Drawing Sheets**



(56)

**References Cited**

U.S. PATENT DOCUMENTS

D415,067 S \* 10/1999 Tung ..... A41F 5/00  
D11/200  
D423,759 S \* 5/2000 Dancyger ..... A41F 9/00  
D2/626  
D567,707 S \* 4/2008 Yeates ..... A41F 1/002  
D11/200  
D707,233 S \* 6/2014 Sirichai ..... A44B 99/00  
D14/447  
2011/0083254 A1\* 4/2011 Trutna ..... A41F 1/002  
2/326  
2014/0150167 A1\* 6/2014 Mowad ..... A41F 9/00  
2/337  
2017/0290396 A1\* 10/2017 Hough ..... A44B 99/00

\* cited by examiner

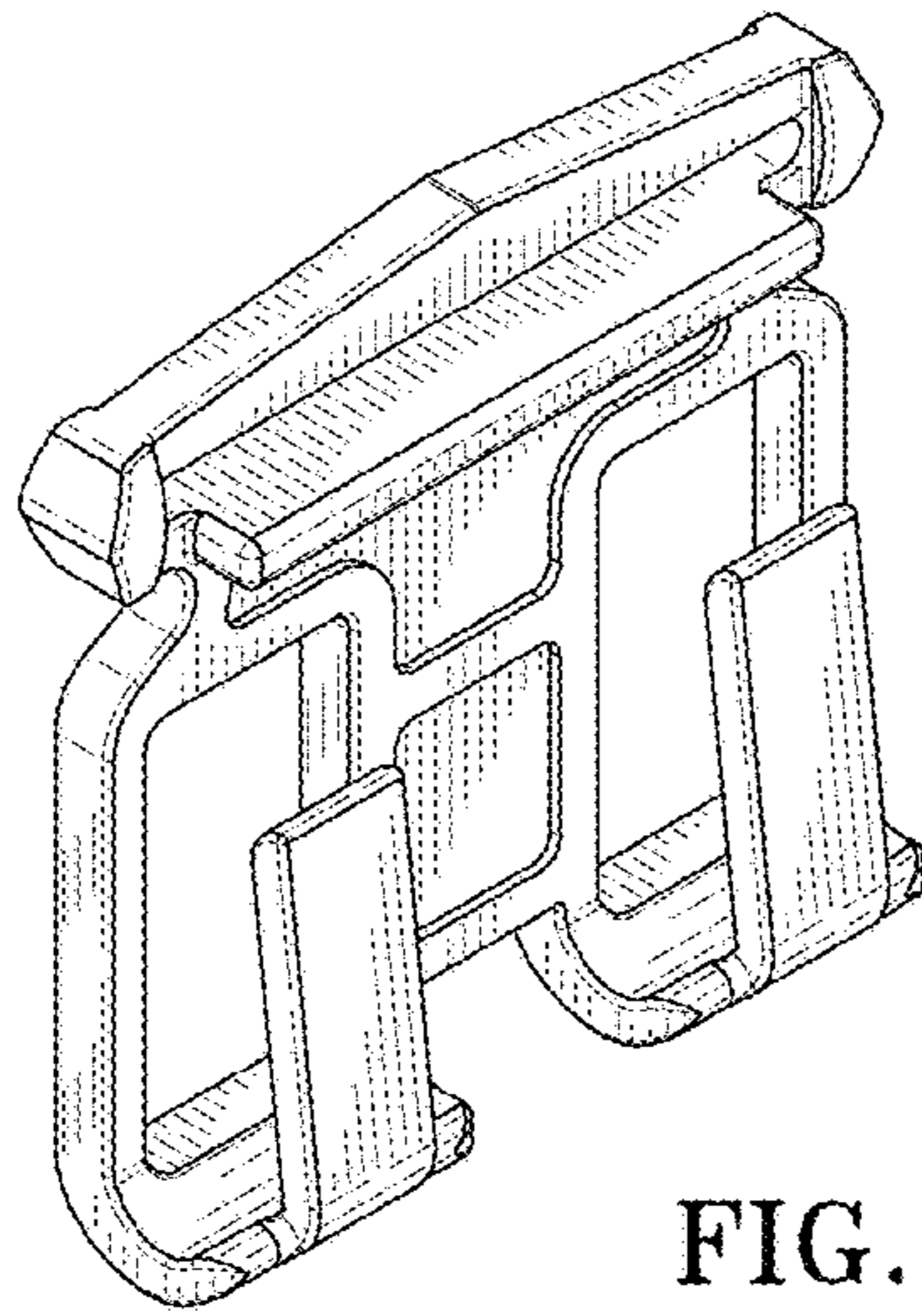


FIG. 1

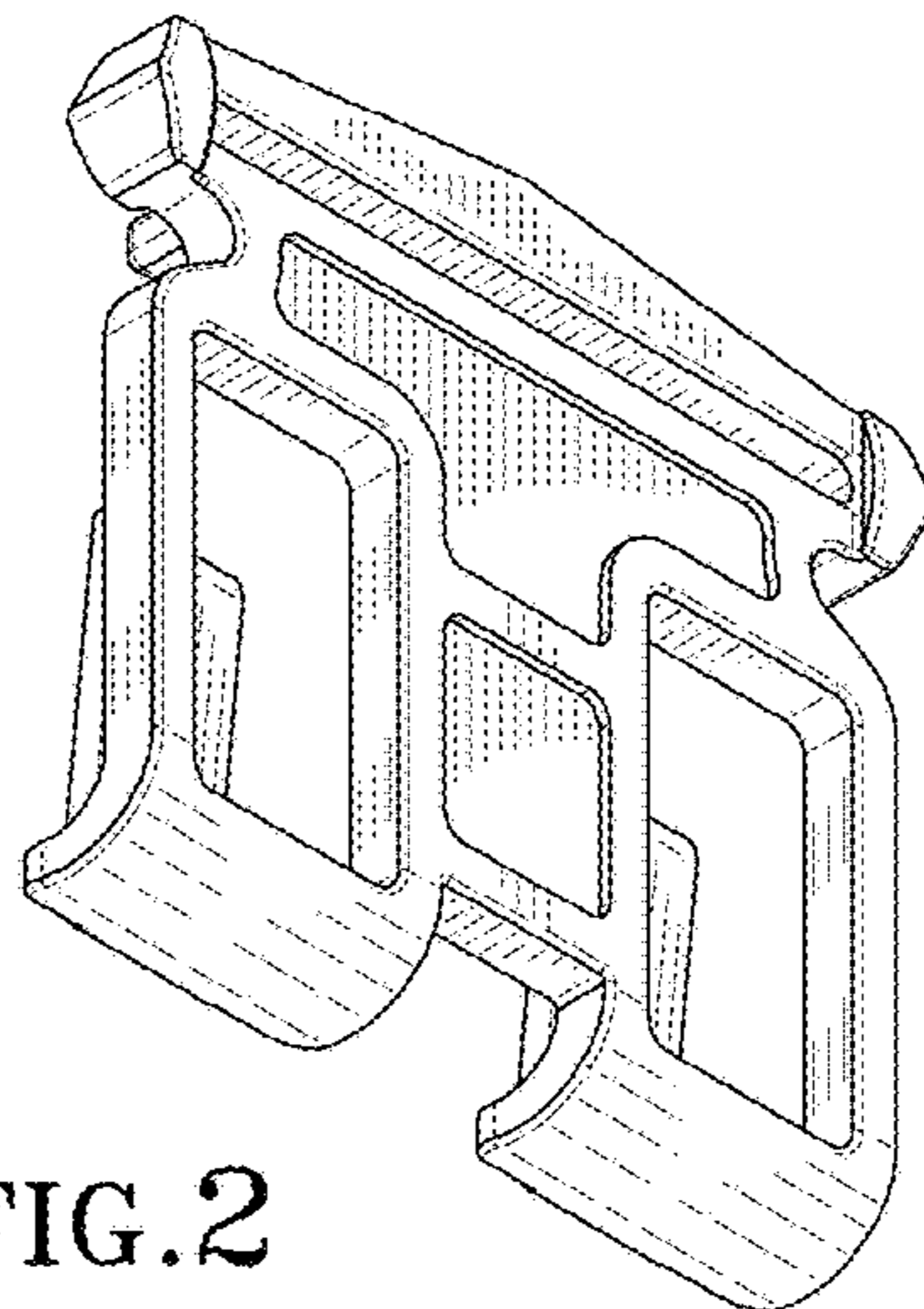


FIG. 2

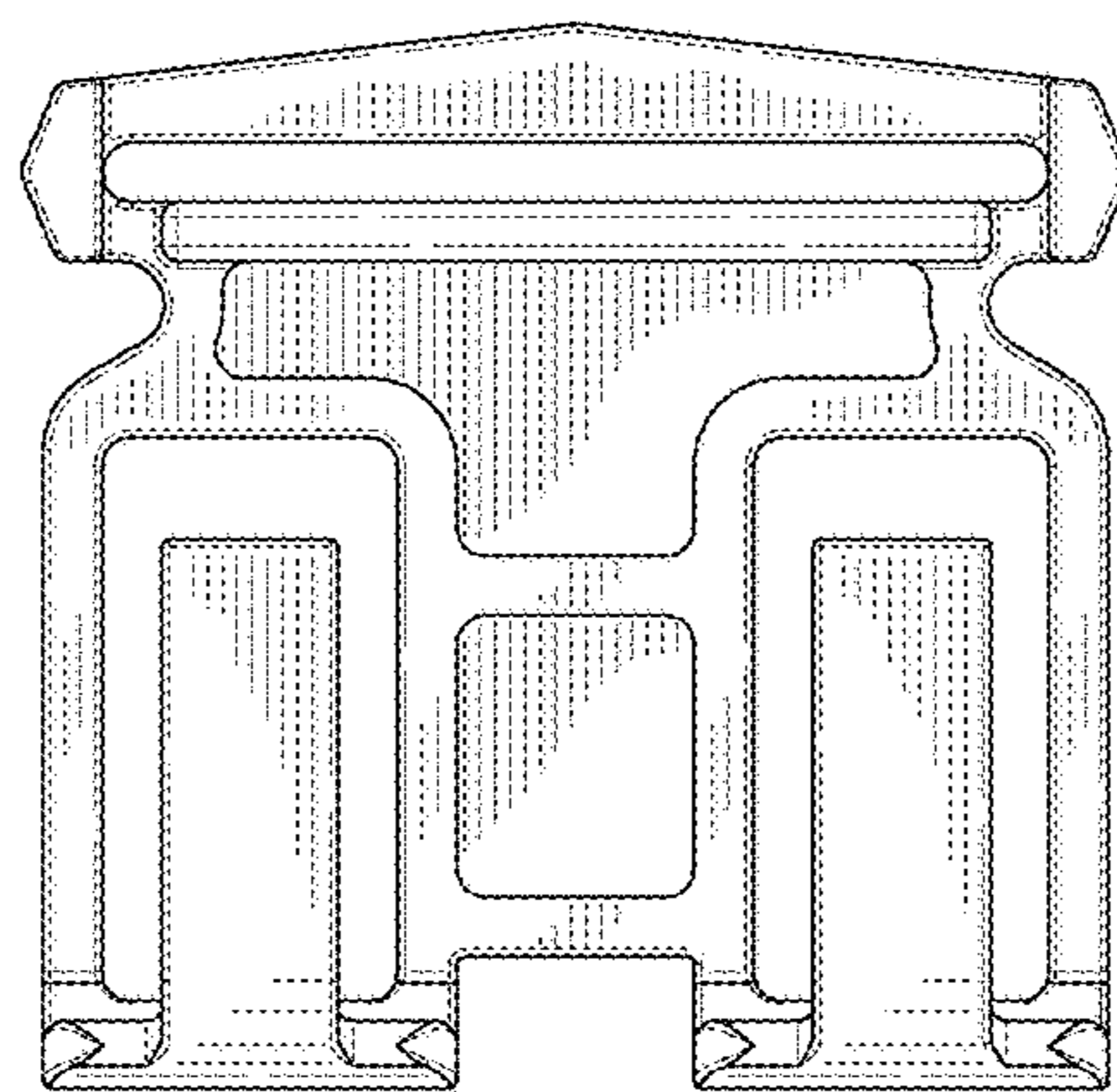


FIG. 3

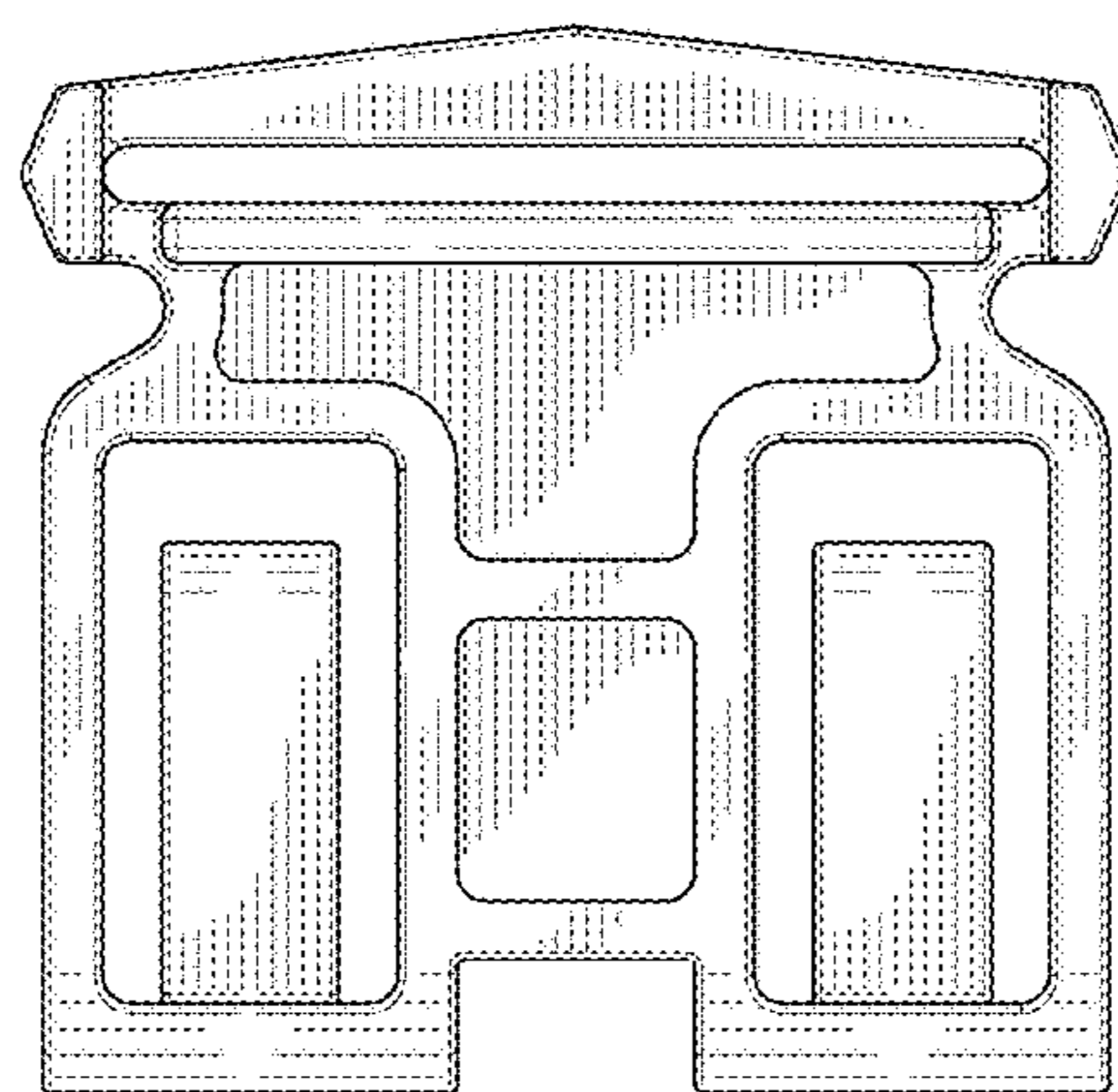


FIG. 4

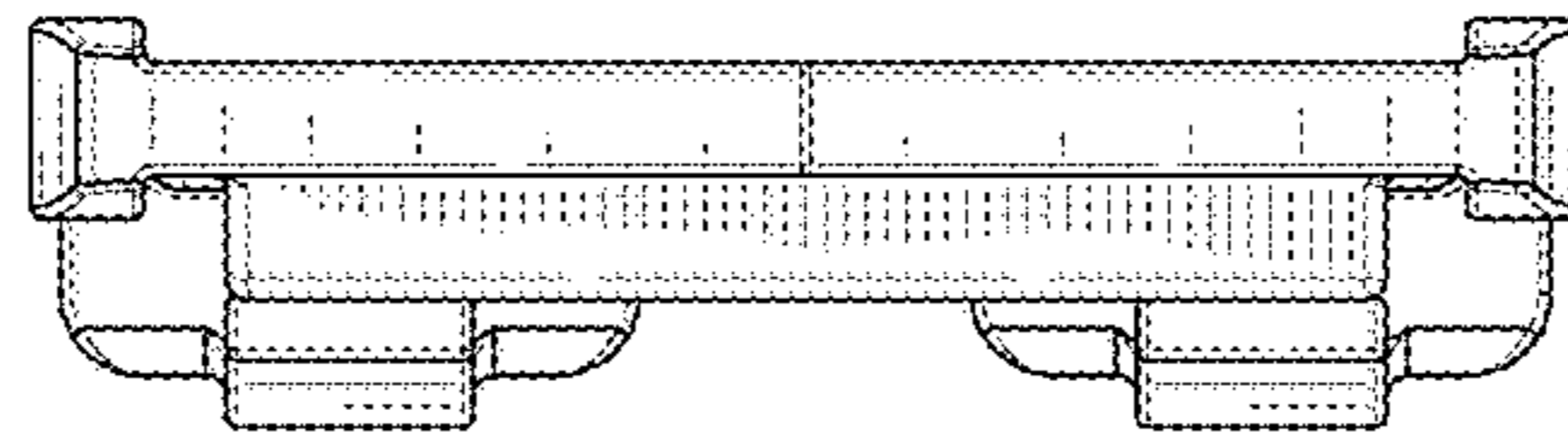


FIG. 5

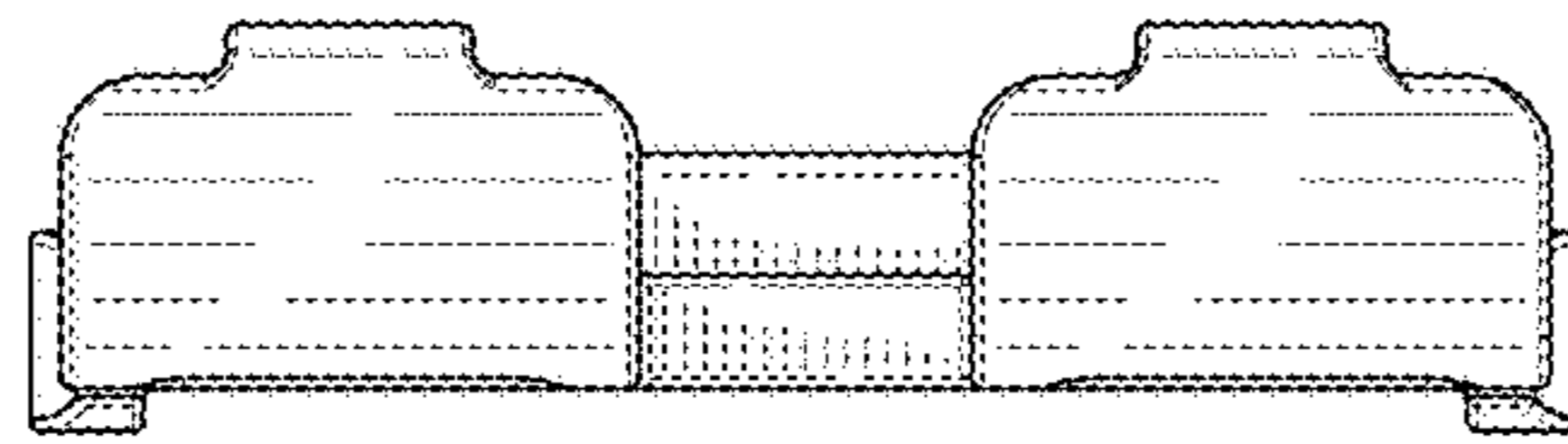


FIG. 6

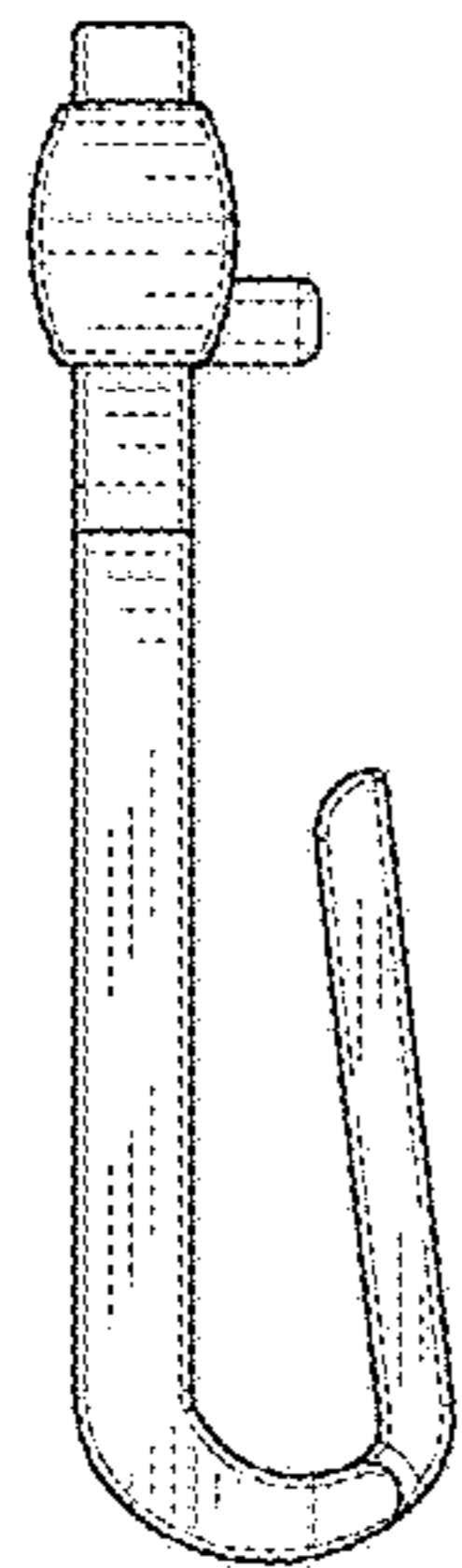


FIG. 7

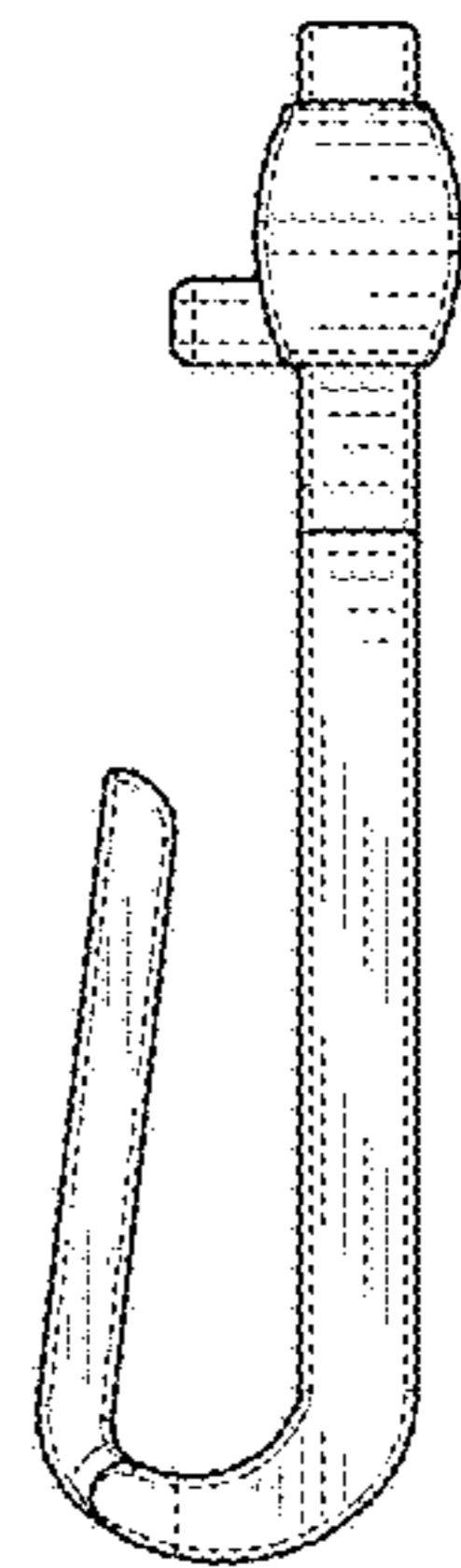


FIG. 8

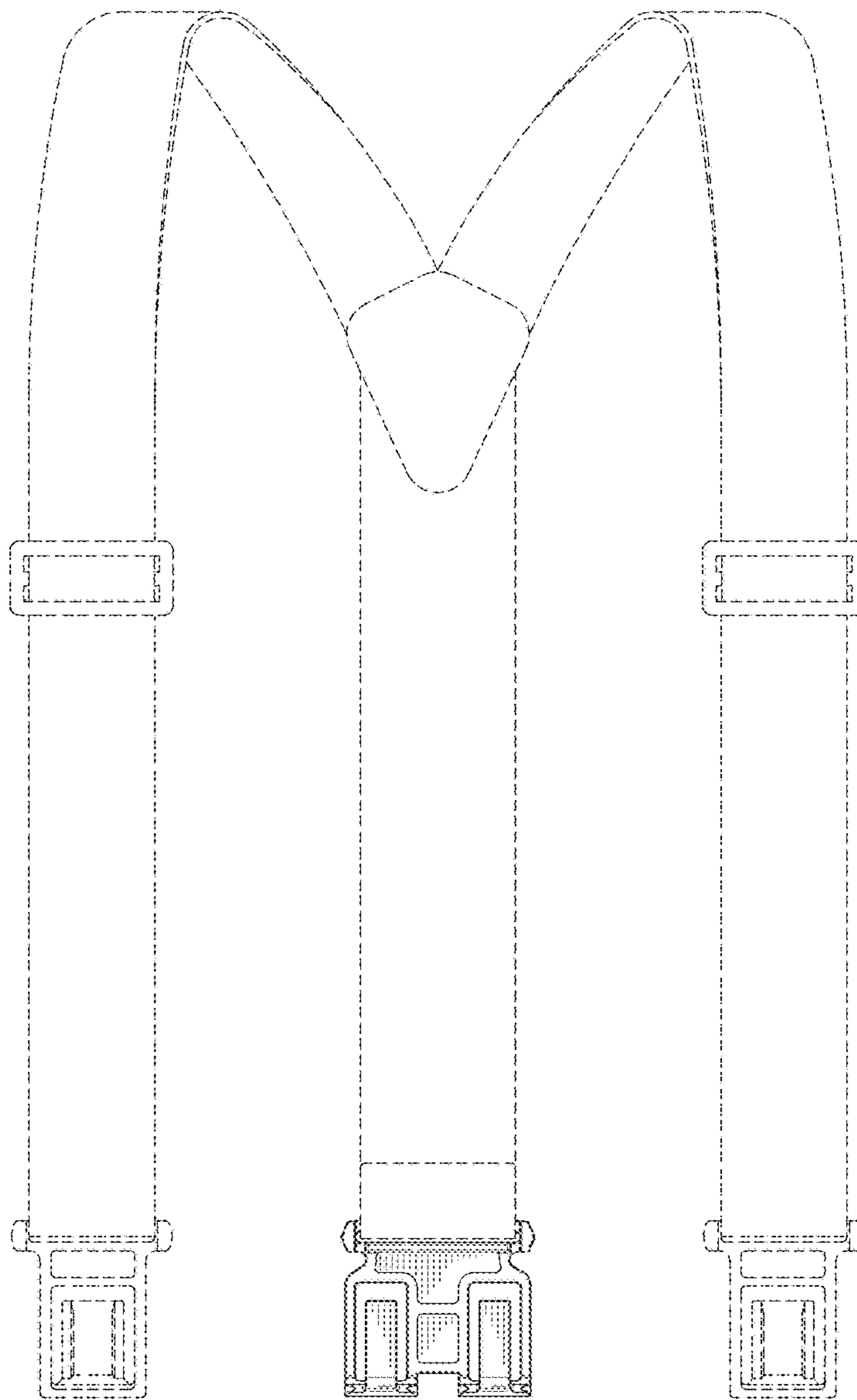


FIG. 9