



US00D866915S

(12) **United States Design Patent** (10) **Patent No.:** **US D866,915 S**  
**Lucido** (45) **Date of Patent:** **\*\* Nov. 12, 2019**

(54) **BANK**  
(71) Applicant: **THE TIN BOX COMPANY OF AMERICA, INC.**, Farmingdale, NY (US)  
(72) Inventor: **Dominick Lucido**, Fort Salonga, NY (US)  
(73) Assignee: **The Tin Box Company of America, Inc.**, Farmingdale, NY (US)

1,781,920 A \* 11/1930 Fisher ..... A45C 1/12  
232/4 R  
2,624,650 A \* 1/1953 De Perales ..... A47B 49/004  
312/305  
3,105,592 A \* 10/1963 Cohen ..... A45C 7/0031  
206/0.8  
3,338,250 A \* 8/1967 Mehelich ..... G07D 3/08  
453/9  
3,610,177 A \* 10/1971 Shapiro ..... E05G 1/024  
109/50  
D263,089 S \* 2/1982 Reaves ..... D99/34  
5,055,079 A \* 10/1991 Hobson ..... A45C 1/12  
220/525

(\*\*) Term: **15 Years**

(Continued)

(21) Appl. No.: **29/634,238**  
(22) Filed: **Jan. 19, 2018**  
(51) **LOC (12) Cl.** ..... **99-00**  
(52) **U.S. Cl.**  
USPC ..... **D99/34**  
(58) **Field of Classification Search**  
USPC .... D99/28, 34, 35, 36, 43, 99; D18/3.1, 3.2,  
D18/3.3, 46, 47  
CPC ..... A45C 1/12; A45C 2001/125; A45C  
2001/003; A45C 2001/006; A45C  
2001/102; A45C 2001/104; A45C  
2001/105; A45C 2001/107; A45C  
2001/108; G07D 9/00; G07D 9/002;  
G07D 9/004; G07D 9/006; G07D 9/008;  
G07D 9/02; G07D 9/04; G07D 9/06;  
G07D 9/065; G07D 11/00; G07D 13/00;  
G07D 2201/00; G07F 9/04; G07F 9/06;  
G07F 9/08; B42F 5/00  
See application file for complete search history.

**OTHER PUBLICATIONS**

Catalog for the Tin Box Company of America, 2016; tinboxco.com  
(24 pages).  
*Primary Examiner* — Elizabeth J Oswecki  
(74) *Attorney, Agent, or Firm* — Greenberg Traurig LLP

(57) **CLAIM**

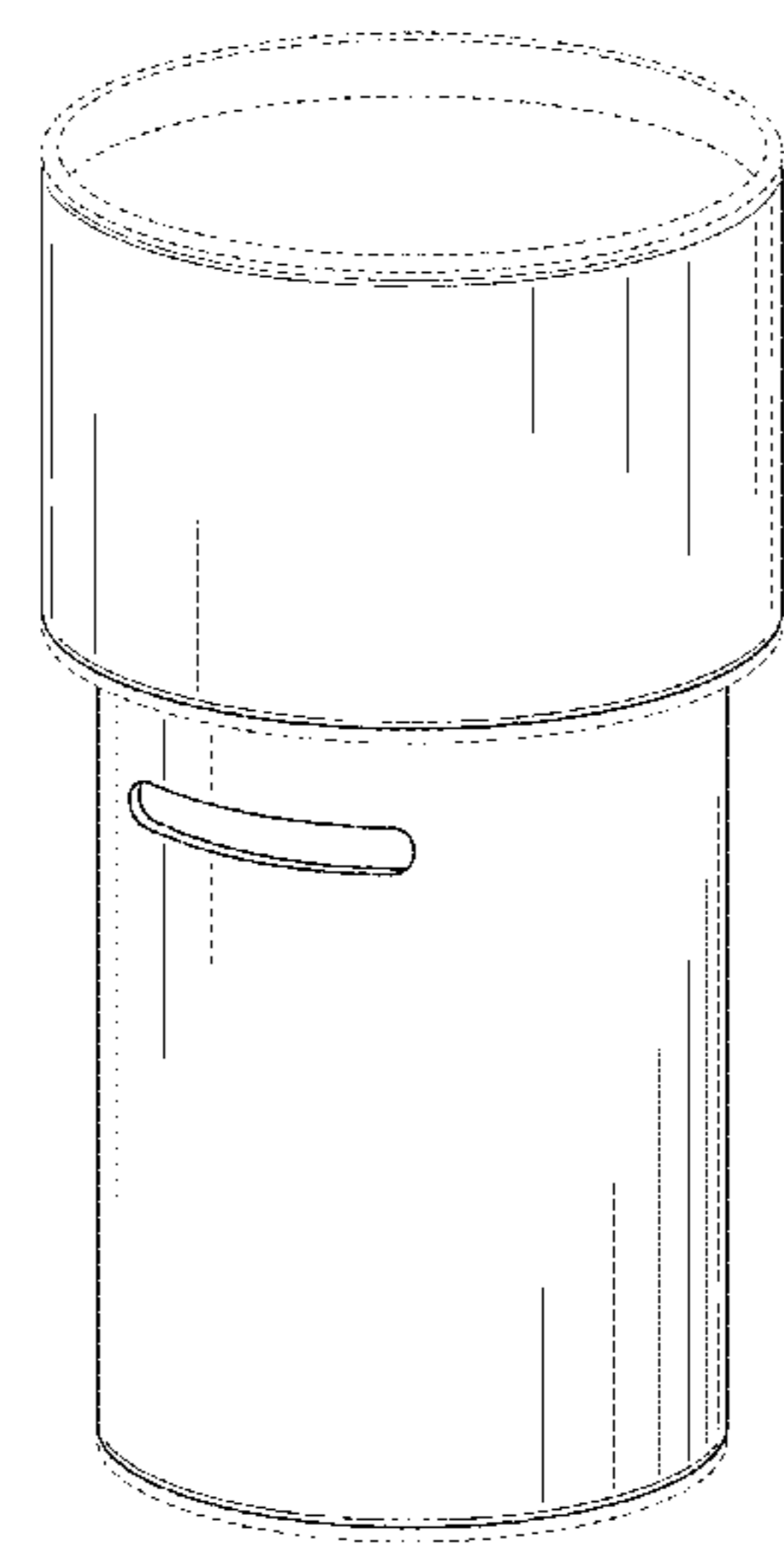
The ornamental design for a bank, as shown and described.

**DESCRIPTION**

FIG. 1 is a front perspective view of a bank showing my new design;  
FIG. 2 is a front elevational view thereof;  
FIG. 3 is a rear elevational view thereof;  
FIG. 4 is a left side elevational view thereof;  
FIG. 5 is a right side elevational view thereof;  
FIG. 6 is a top plan view thereof;  
FIG. 7 is a bottom plan view thereof; and,  
FIG. 8 is a another rear elevation view thereof, shown in a used condition with a graphic design cover attached to the bank shown in broken lines.  
The broken lines shown in the drawings represent portions of the bank that form no part of the claimed design.

**1 Claim, 7 Drawing Sheets**

(56) **References Cited**  
U.S. PATENT DOCUMENTS  
941,940 A \* 11/1909 McCormick ..... E05G 1/06  
109/48  
D46,201 S \* 8/1914 Cramer ..... D99/35  
D65,231 S \* 7/1924 Connor ..... D9/617



(56)

**References Cited**

U.S. PATENT DOCUMENTS

D338,761 S *	8/1993	Hector	.....	D99/28
D416,660 S *	11/1999	Lin	.....	D23/226
D424,780 S *	5/2000	Swaine	.....	D99/34
D519,166 S *	4/2006	Chuang	.....	D21/479
D532,834 S *	11/2006	Chuang	.....	D21/478
D649,880 S *	12/2011	Smith, III	.....	D9/500
D668,015 S *	9/2012	Lynch	.....	D99/34
D688,025 S *	8/2013	Lucido	.....	D99/35
D782,772 S *	3/2017	Crane	.....	D99/34
D824,134 S *	7/2018	Gossen, IV	.....	D99/37
D827,974 S *	9/2018	Gossen, IV	.....	D99/37
2004/0124099 A1 *	7/2004	Fields	.....	A45C 1/02 206/0.815

\* cited by examiner

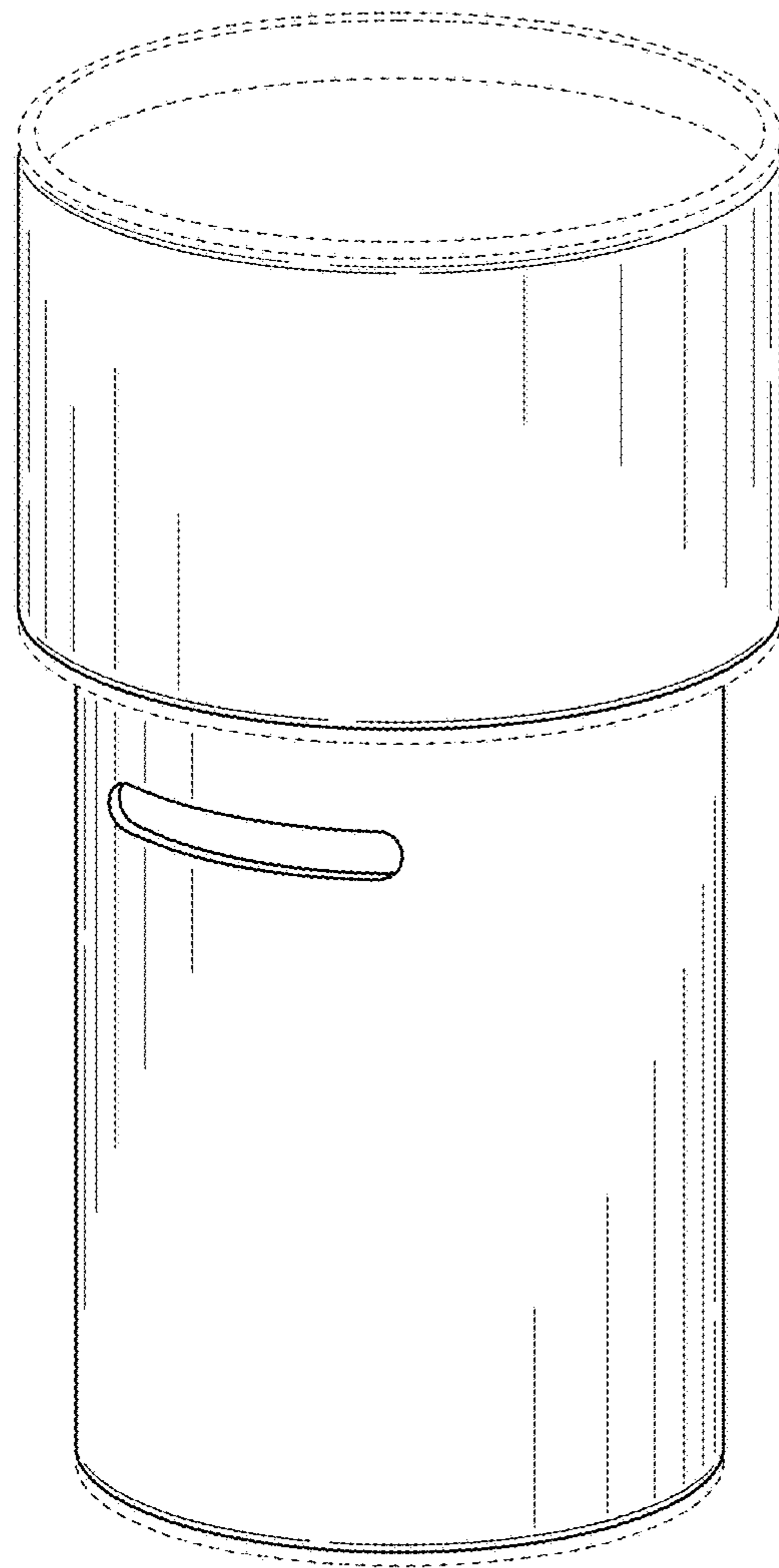


FIG. 1

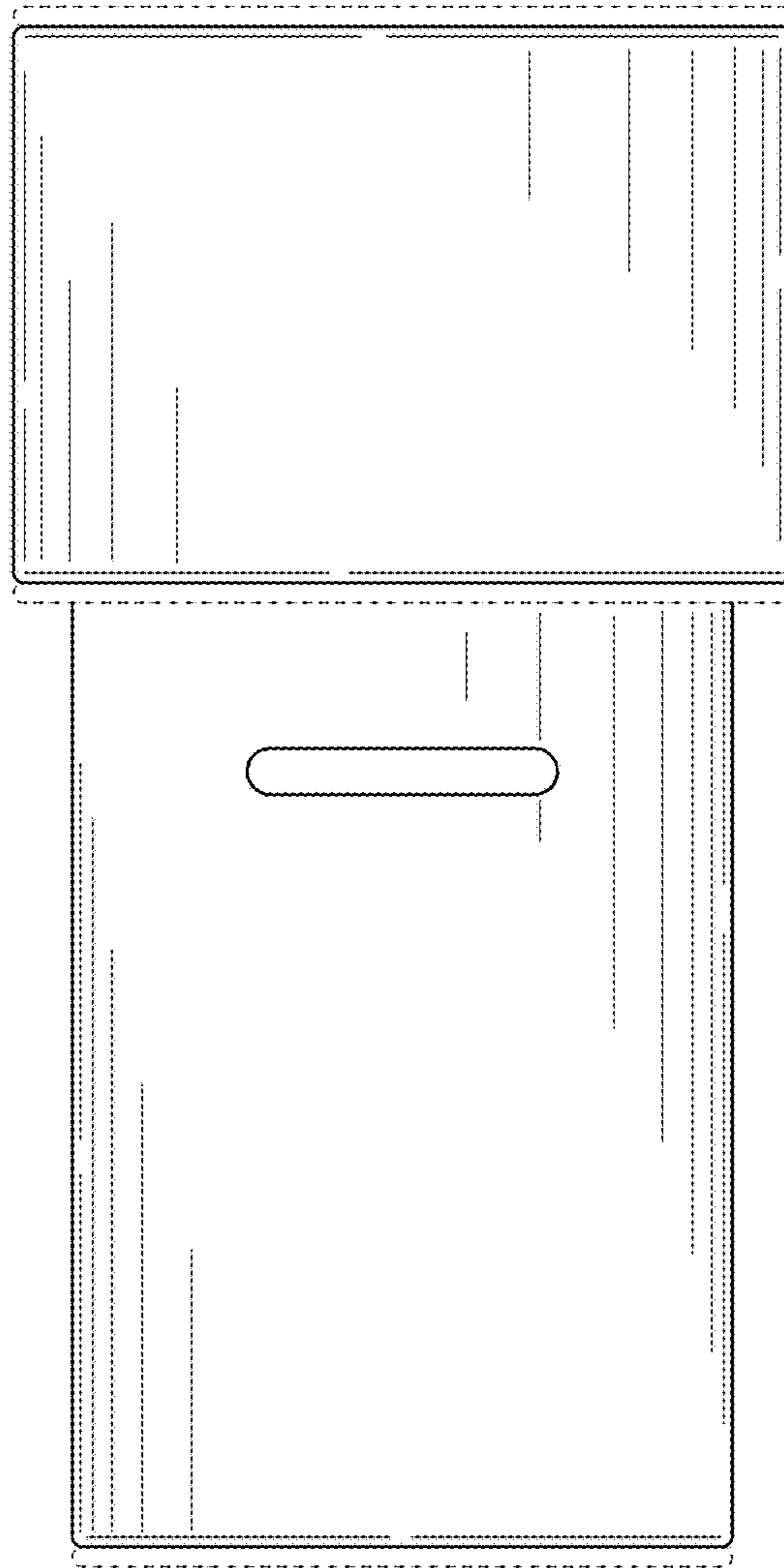


FIG. 2

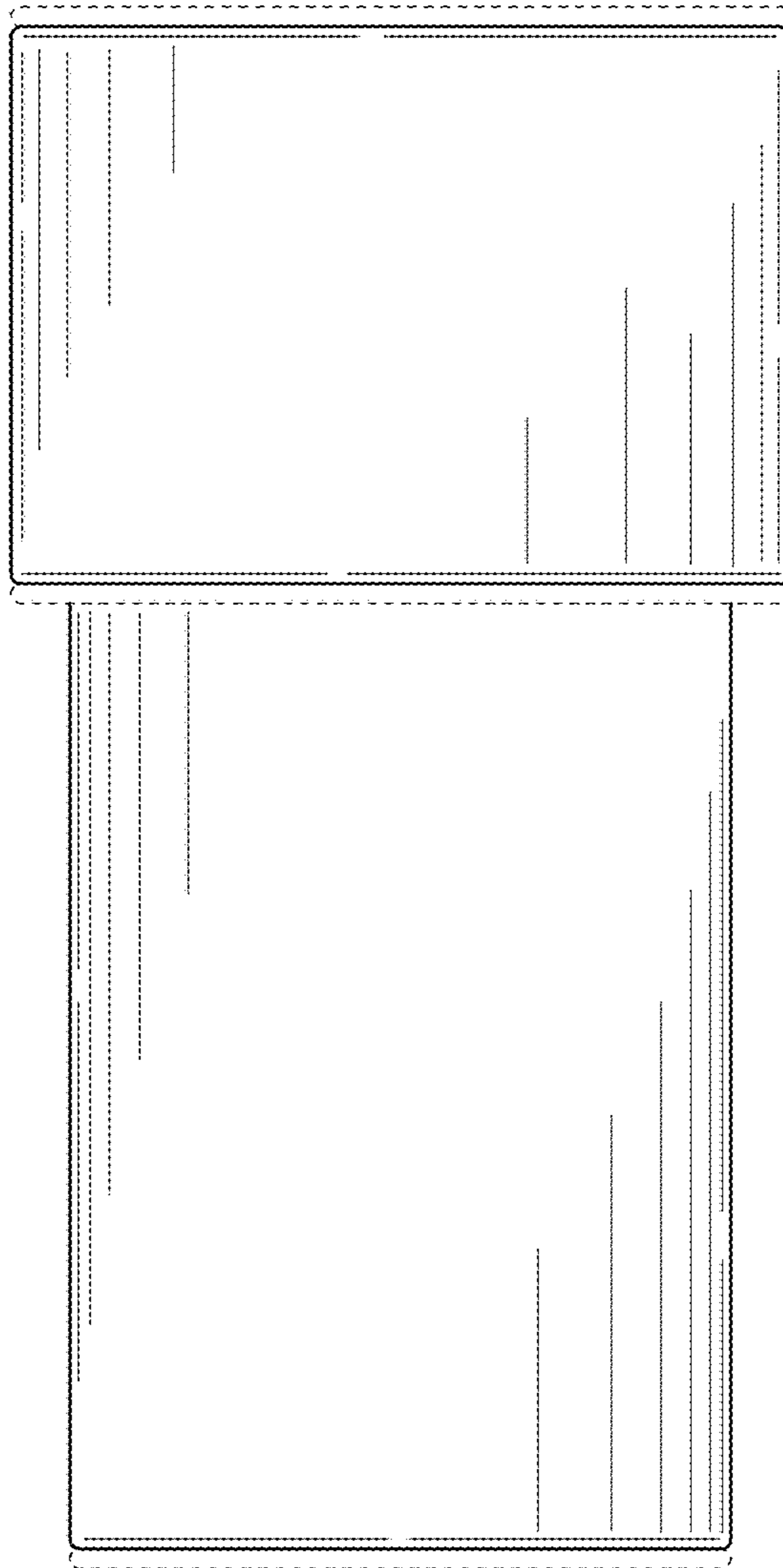


FIG. 3

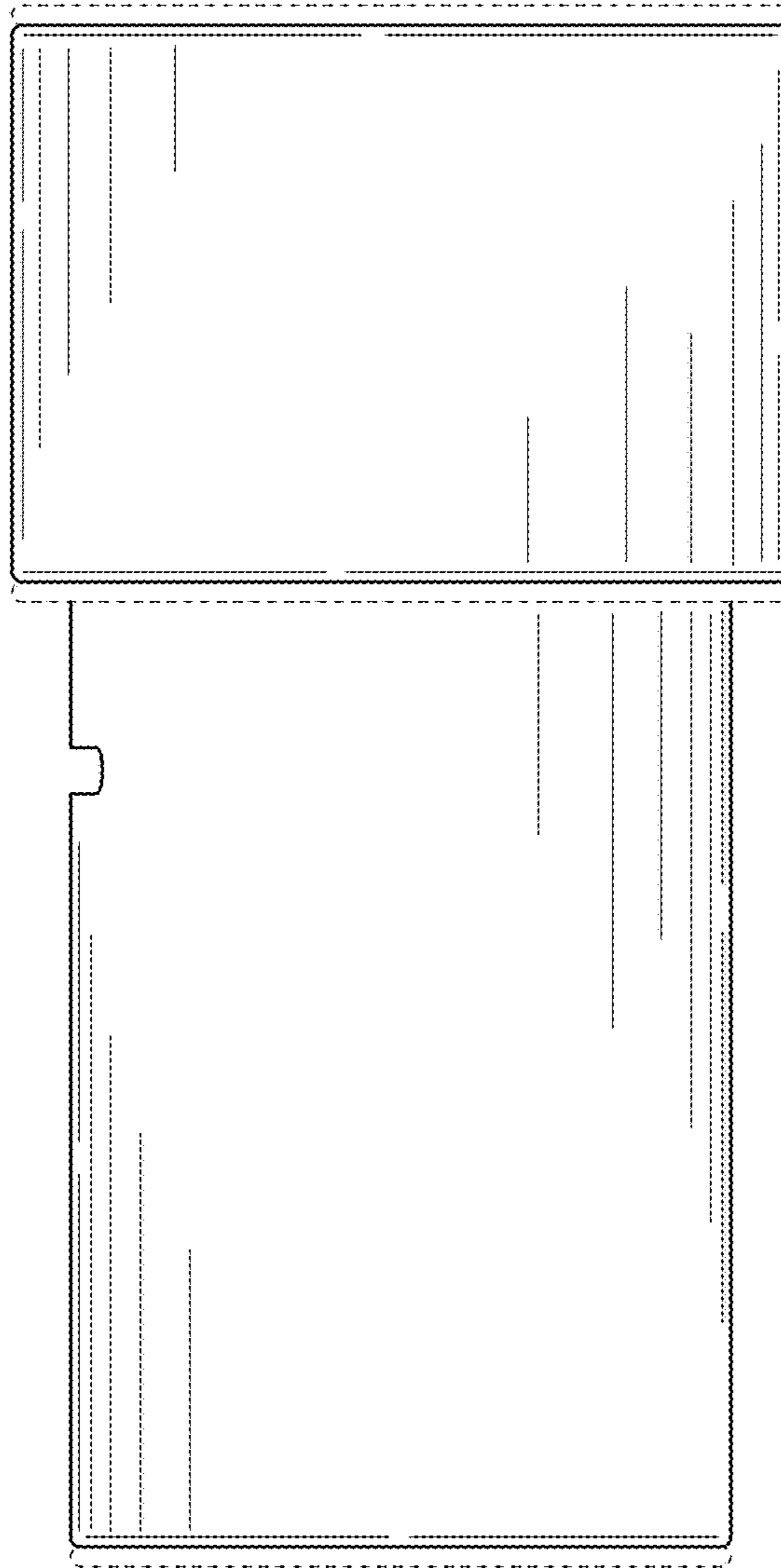


FIG. 4

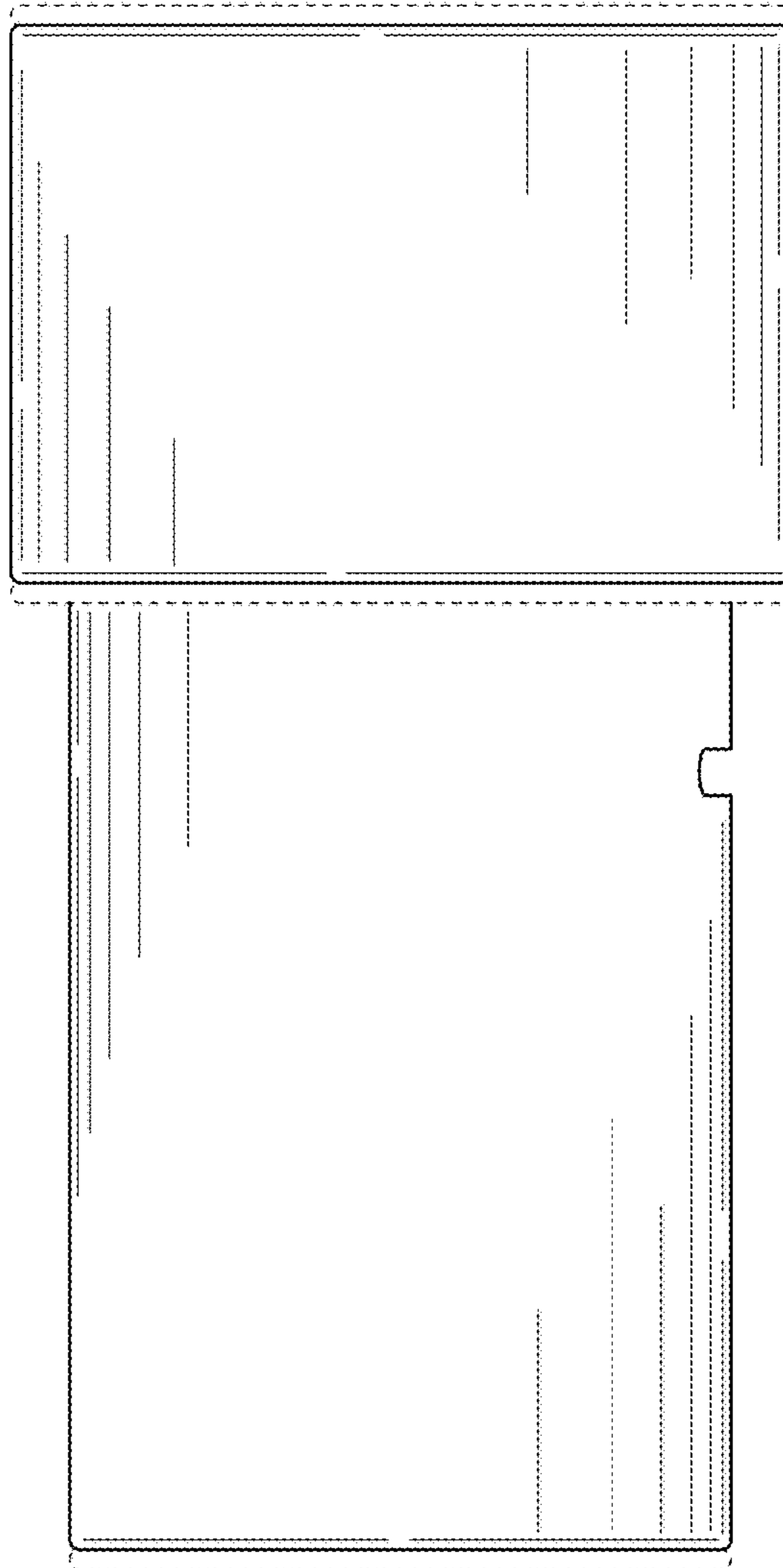
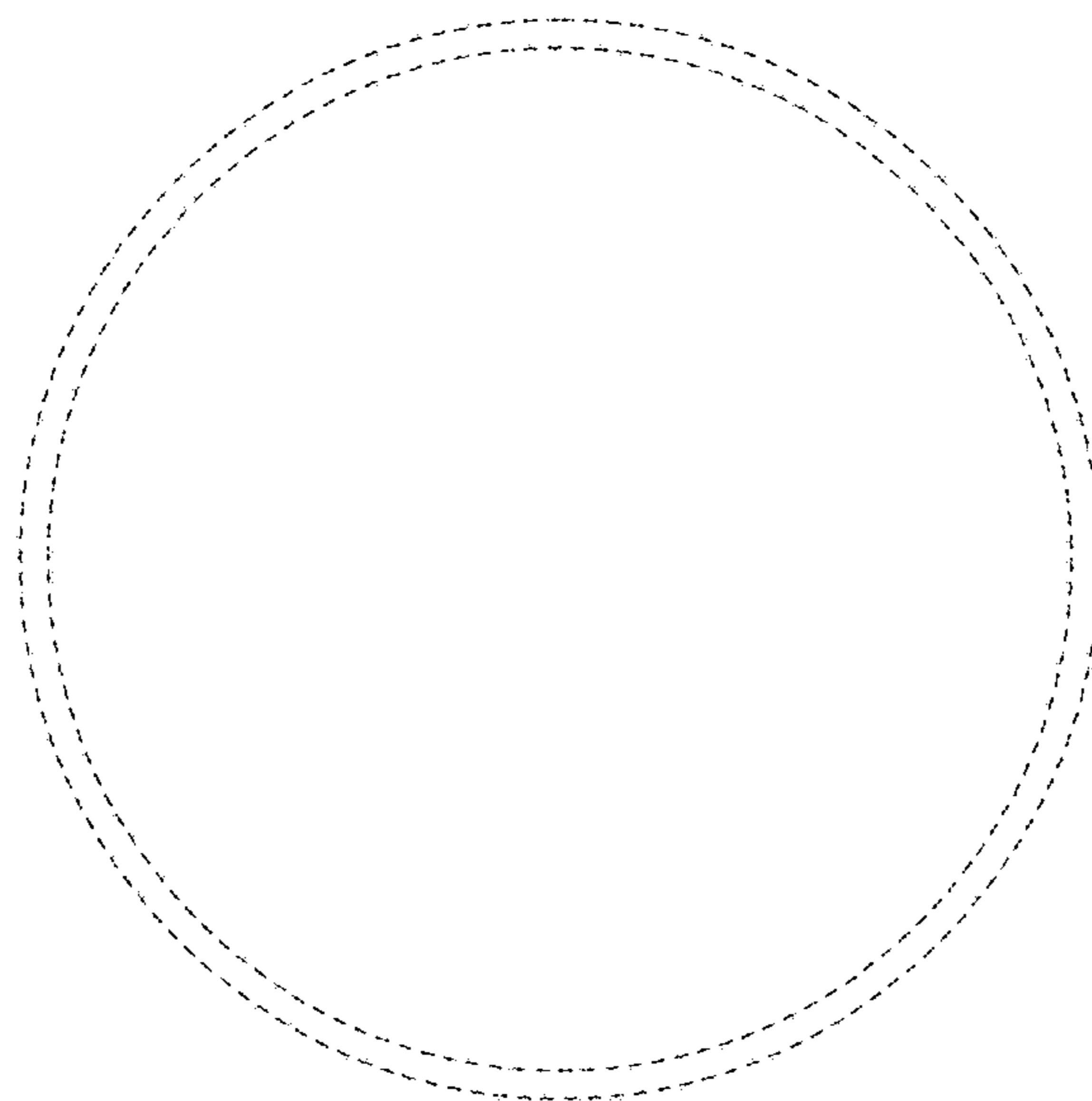
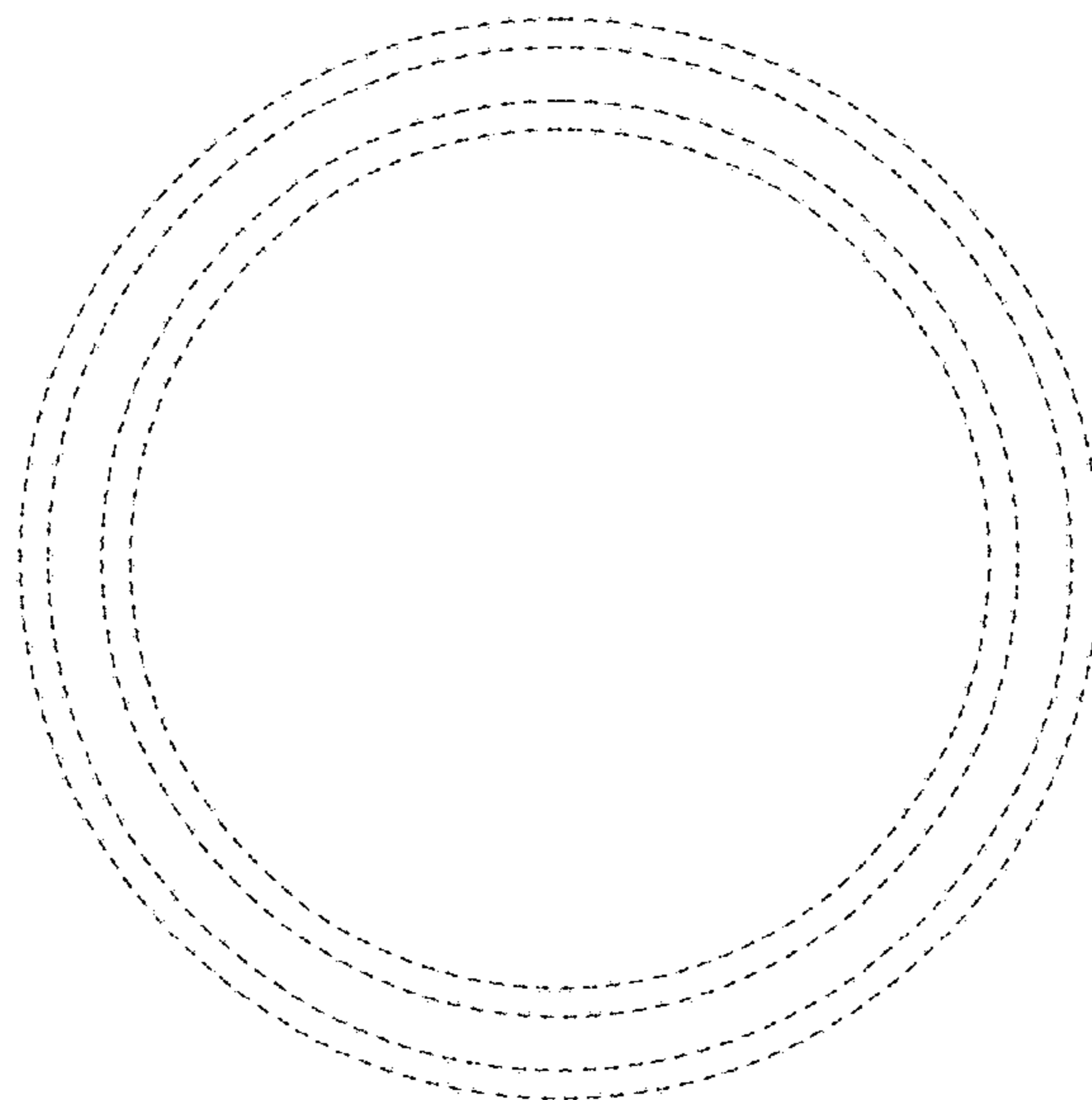


FIG. 5



**FIG. 6**



**FIG. 7**



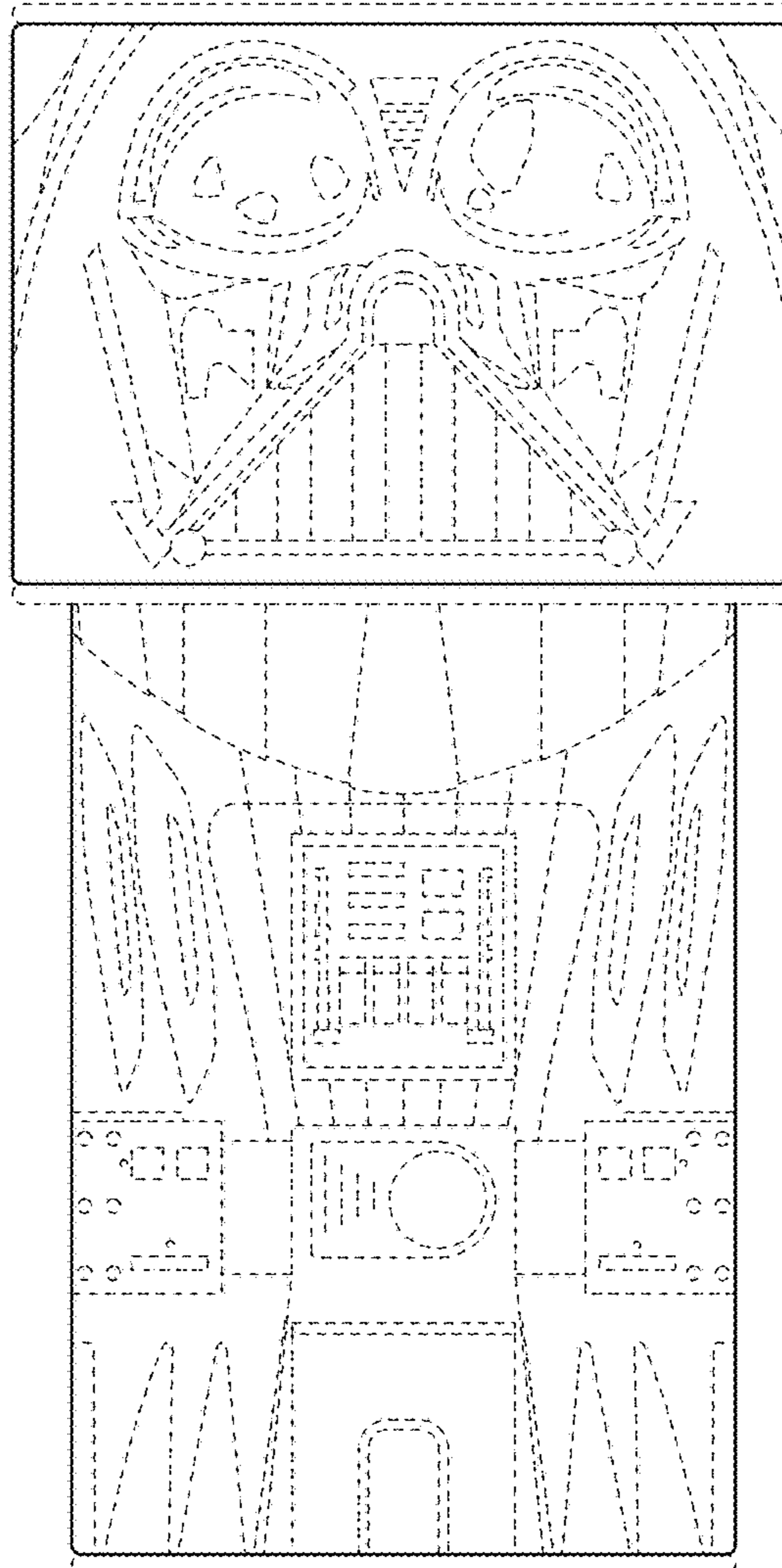


FIG. 8