



US00D866913S

(12) **United States Design Patent**  
**Xu**

(10) **Patent No.:** **US D866,913 S**

(45) **Date of Patent:** **\*\* Nov. 12, 2019**

- (54) **PISTOL SAFE**
- (71) Applicant: **Ergang Xu**, Yiwu (CN)
- (72) Inventor: **Ergang Xu**, Yiwu (CN)
- (\*\*) Term: **15 Years**
- (21) Appl. No.: **29/636,358**
- (22) Filed: **Feb. 8, 2018**
- (51) **LOC (12) Cl.** ..... **99-00**
- (52) **U.S. Cl.**  
USPC ..... **D99/28**
- (58) **Field of Classification Search**  
USPC ..... D99/28, 34, 35, 36, 43; 109/1 R, 1 V, 2,  
109/45; 902/9, 30; 235/100; 206/317,  
206/527, 235; 312/400, 409  
CPC .... E05B 65/0075; F42B 39/00; F42B 39/002;  
F42B 39/14; F42B 39/18; F42B 39/24;  
F42B 39/22; F42B 39/20; F42B 39/26;  
E05G 1/00; E05G 1/005; E05G 1/024;  
E05G 5/00; E05G 5/02; E05G 2700/00;  
E05G 2700/02; E05G 2700/04; E07D  
11/0006; G07D 11/0009; G07D 11/009;  
G07D 9/002; G07D 9/004; G07D 9/008;  
G07F 9/06; G07F 9/003; G07F 17/10;  
G07F 17/105  
See application file for complete search history.

(56) **References Cited**

U.S. PATENT DOCUMENTS

- 2,755,748 A \* 7/1956 Abell, Jr. .... A45C 13/20  
109/52
- 2,781,897 A \* 2/1957 Dale ..... F41C 33/06  
206/317
- 3,138,306 A \* 6/1964 Bare ..... F41C 33/06  
206/317
- 3,307,755 A \* 3/1967 Lentz ..... F41C 33/06  
206/317

- 4,155,608 A \* 5/1979 Orlewicz ..... A47B 81/005  
109/51
- 4,309,065 A \* 1/1982 Pappas ..... A47B 81/005  
224/912
- D273,908 S \* 5/1984 Hoogeveen ..... D99/28
- 4,573,332 A \* 3/1986 Ma ..... A45C 13/20  
109/52
- D289,582 S \* 5/1987 Brush, Jr. .... D3/281
- D291,139 S \* 7/1987 Warwick ..... D3/281
- 4,890,466 A \* 1/1990 Cisló ..... F41C 33/06  
109/51
- 5,009,088 A \* 4/1991 Cisló ..... F41C 33/06  
109/51
- 5,048,682 A \* 9/1991 Taylor ..... F41C 33/06  
206/317

(Continued)

*Primary Examiner* — Elizabeth J Oswecki

(74) *Attorney, Agent, or Firm* — Gokalp Bayramoglu

(57) **CLAIM**

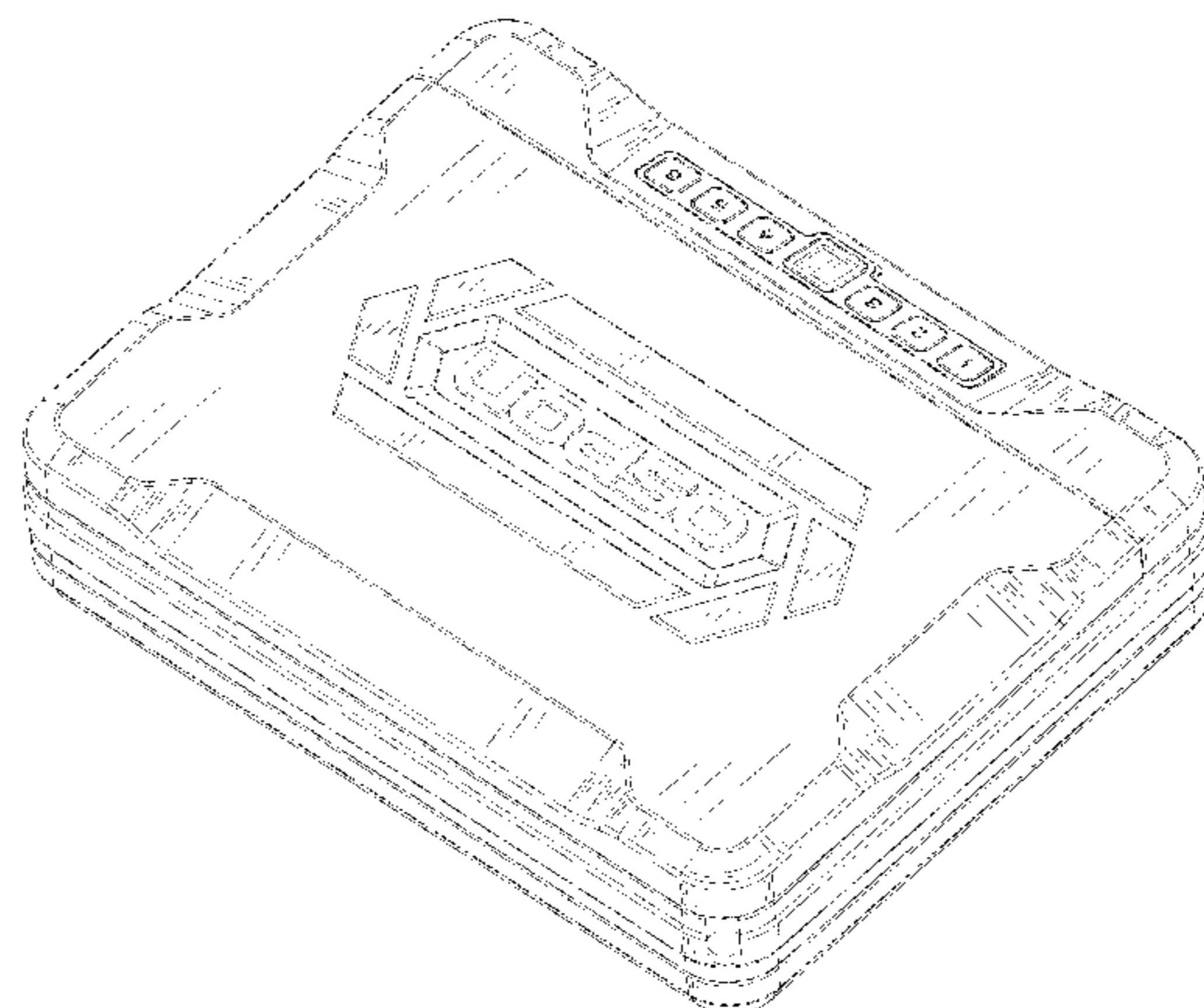
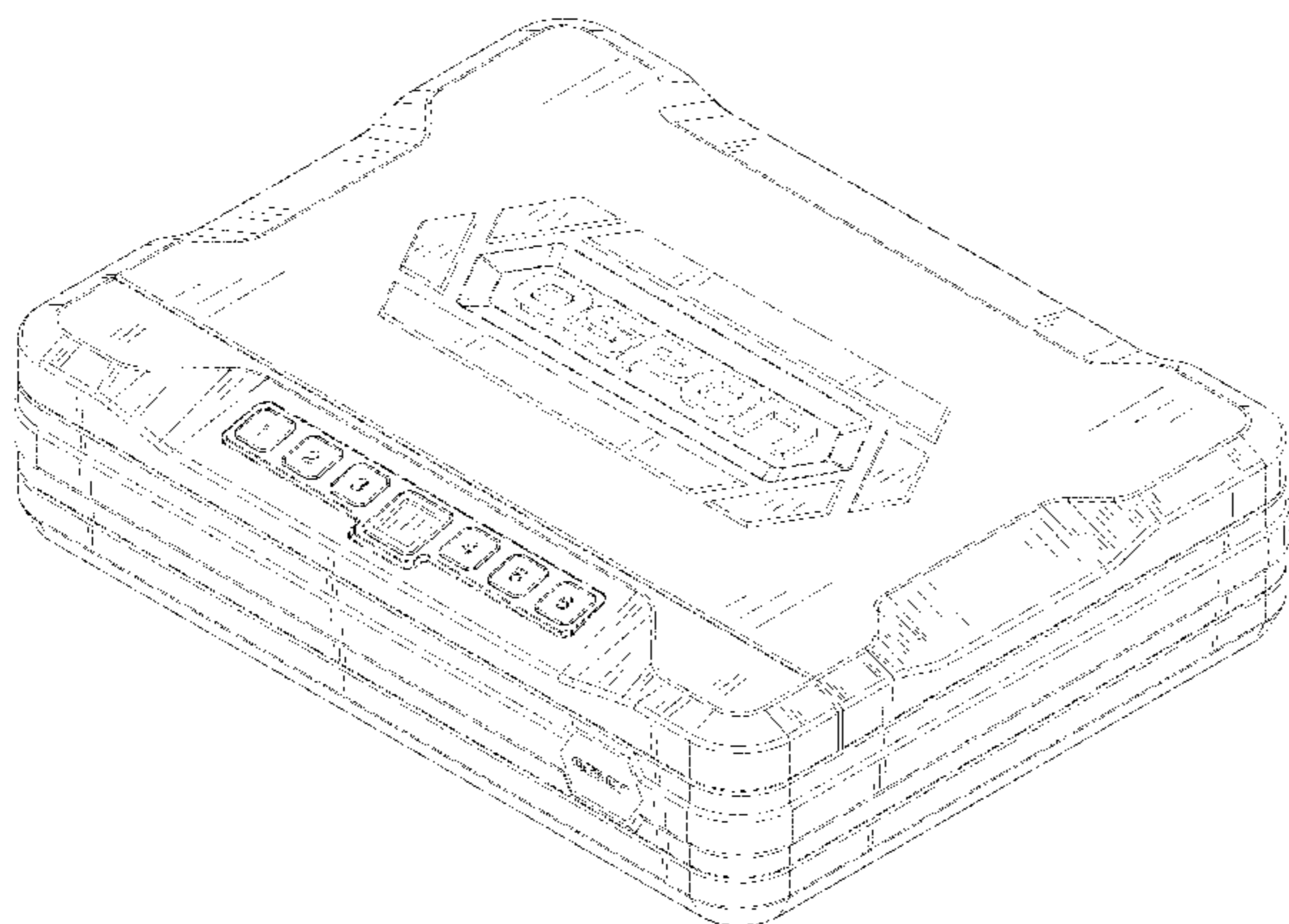
The ornamental design for a pistol safe, as shown and described.

**DESCRIPTION**

FIG. 1 is a top view of a pistol safe showing my new design;  
 FIG. 2 is a bottom view thereof;  
 FIG. 3 is a front view thereof;  
 FIG. 4 is a back view thereof;  
 FIG. 5 is a right side view thereof;  
 FIG. 6 is a left side view thereof;  
 FIG. 7 is a top perspective view thereof;  
 FIG. 8 is a partial enlarged view taken on encircled portion labeled FIG. 8 in FIG. 7;  
 FIG. 9 is a front perspective view thereof;  
 FIG. 10 is a back perspective view thereof; and,  
 FIG. 11 is a perspective view thereof, shown in a used condition with the hexagon door open and a key shown in broken lines.

The broken lines depict portion of the pistol safe form no part of the claimed design.

**1 Claim, 11 Drawing Sheets**



(56)

References Cited

U.S. PATENT DOCUMENTS

5,170,907 A \* 12/1992 Sakai ..... A45C 13/18  
109/52  
5,172,575 A \* 12/1992 Fisher ..... E05B 37/20  
206/317  
D350,002 S \* 8/1994 Viola ..... D99/28  
5,344,010 A \* 9/1994 Dyer ..... F41C 33/06  
206/1.5  
5,416,826 A \* 5/1995 Butler ..... F41A 23/18  
340/542  
D376,691 S \* 12/1996 Naas ..... D3/274  
5,662,219 A \* 9/1997 Tschudy ..... A45C 13/02  
150/113  
D386,307 S \* 11/1997 Naas ..... D3/273  
D393,526 S \* 4/1998 Robey ..... D3/281  
D399,632 S \* 10/1998 Davis ..... D99/28  
6,260,300 B1 \* 7/2001 Klebes ..... F41A 17/066  
206/317  
D449,161 S \* 10/2001 Gillespie ..... D3/276  
D461,617 S \* 8/2002 Gardner ..... D99/28  
6,488,148 B1 \* 12/2002 Woodson ..... B65D 25/10  
206/1.5  
D474,596 S \* 5/2003 Osiecki ..... D3/273  
6,601,680 B2 \* 8/2003 Japchen ..... A45C 13/18  
190/101  
D516,768 S \* 3/2006 Walker ..... D99/28  
D516,769 S \* 3/2006 Walker ..... D99/28  
D517,269 S \* 3/2006 Walker ..... D99/28  
D517,770 S \* 3/2006 Walker ..... D99/28  
D528,164 S \* 9/2006 Orcutt ..... D19/92  
D541,045 S \* 4/2007 Peart ..... D3/291  
D542,529 S \* 5/2007 Peart ..... D3/276  
D558,977 S \* 1/2008 Peart ..... D3/294  
D560,875 S \* 1/2008 Decarlo ..... D3/273  
D561,994 S \* 2/2008 Peart ..... D3/291  
D569,073 S \* 5/2008 Osiecki ..... D99/28  
D570,074 S \* 5/2008 Osiecki ..... D99/28

D571,524 S \* 6/2008 Kang ..... D99/28  
D572,425 S \* 7/2008 Themistos ..... D99/28  
D579,174 S \* 10/2008 Decarlo ..... D3/273  
D586,975 S \* 2/2009 Knox ..... D99/28  
D617,525 S \* 6/2010 Taylor ..... D99/28  
D617,974 S \* 6/2010 Alfeld, Sr. .... D99/28  
D624,275 S \* 9/2010 Min ..... D99/28  
D635,324 S \* 3/2011 Plato ..... D99/28  
8,074,477 B1 \* 12/2011 Weiche ..... F41C 33/06  
211/64  
D651,785 S \* 1/2012 Martin ..... D99/28  
D667,195 S \* 9/2012 Guo ..... D99/28  
D671,705 S \* 11/2012 Edmondson ..... D99/28  
D709,665 S \* 7/2014 Martin ..... D99/28  
D714,015 S \* 9/2014 Hyde ..... D99/28  
D730,015 S \* 5/2015 Osiecki ..... D99/28  
D731,739 S \* 6/2015 Hine ..... D99/28  
D732,264 S \* 6/2015 Hine ..... D99/28  
D732,265 S \* 6/2015 Osiecki ..... D99/28  
D748,365 S \* 1/2016 Nelson ..... D99/28  
D750,340 S \* 2/2016 Stemen ..... D99/28  
D752,314 S \* 3/2016 Nachtman ..... D99/28  
D758,690 S \* 6/2016 Miller ..... D99/28  
D772,522 S \* 11/2016 Henderson ..... D99/28  
D800,989 S \* 10/2017 Lucido ..... D99/28  
D803,508 S \* 11/2017 Horn ..... D99/28  
D843,678 S \* 3/2019 Hill ..... D99/28  
D843,679 S \* 3/2019 Hill ..... D99/28  
2002/0062767 A1 \* 5/2002 Walker ..... E05G 1/00  
109/67  
2004/0045329 A1 \* 3/2004 Farnham ..... E05B 73/0005  
70/63  
2005/0194872 A1 \* 9/2005 Cleveland ..... A47B 81/005  
312/290  
2008/0229983 A1 \* 9/2008 Pendleton ..... A47B 81/005  
109/45  
2012/0298018 A1 \* 11/2012 McCabe ..... A45C 13/20  
109/51

\* cited by examiner



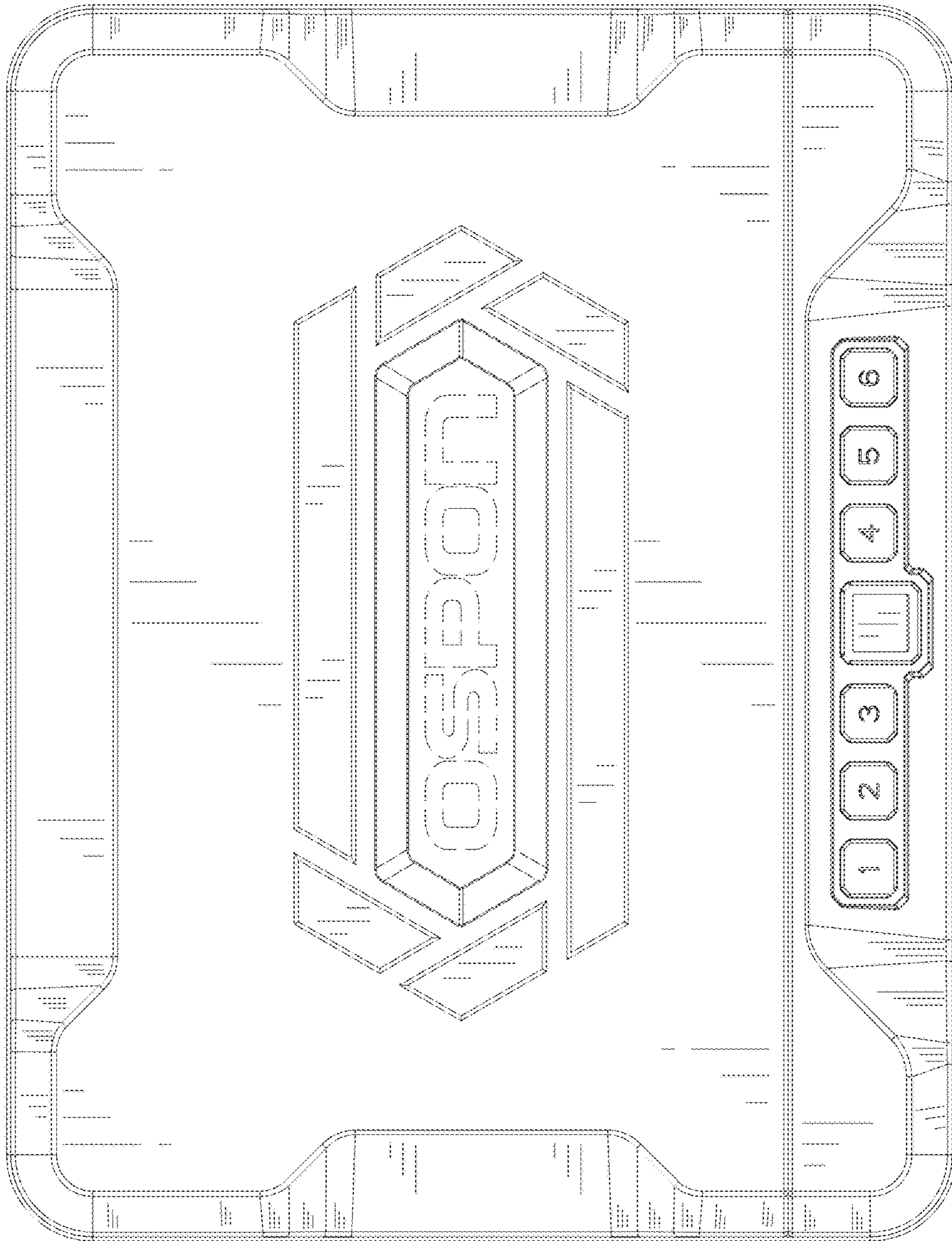


FIG. 1

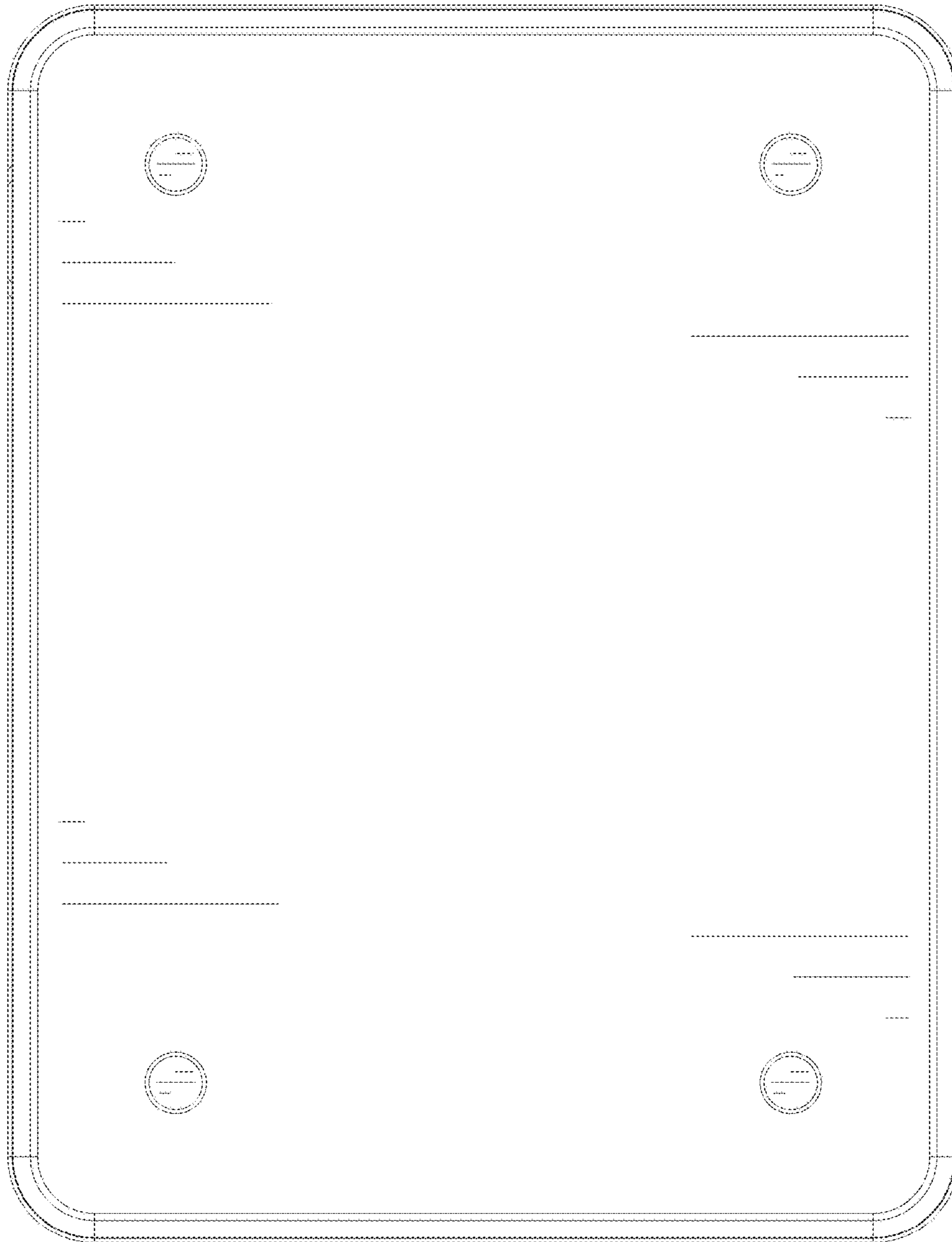


FIG. 2

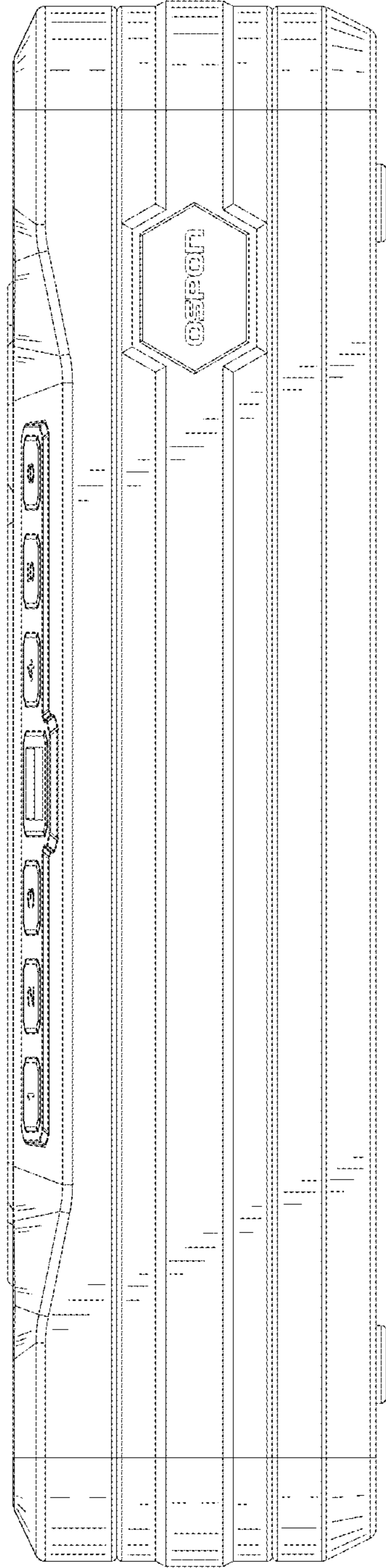


FIG. 3

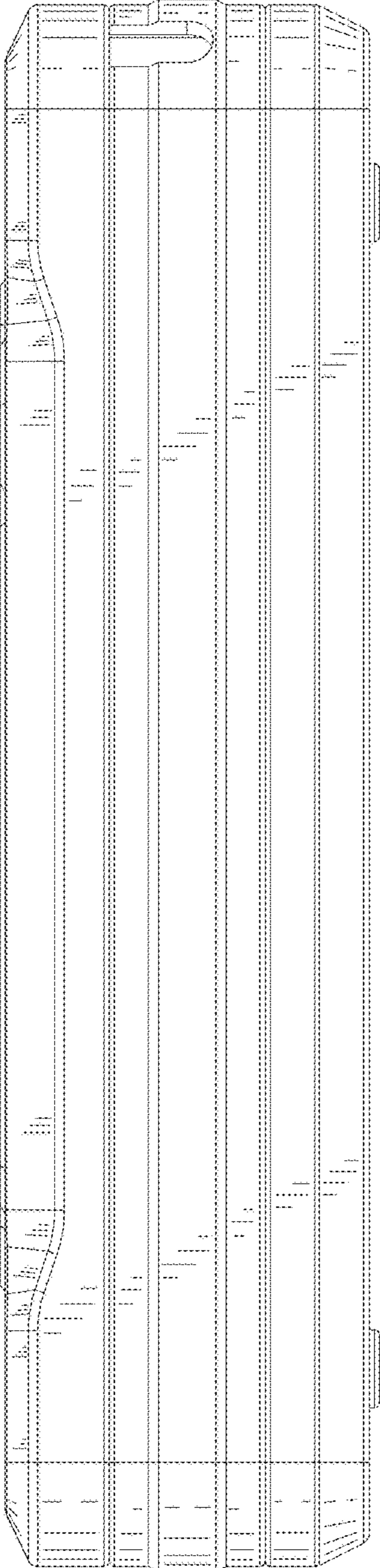


FIG. 4

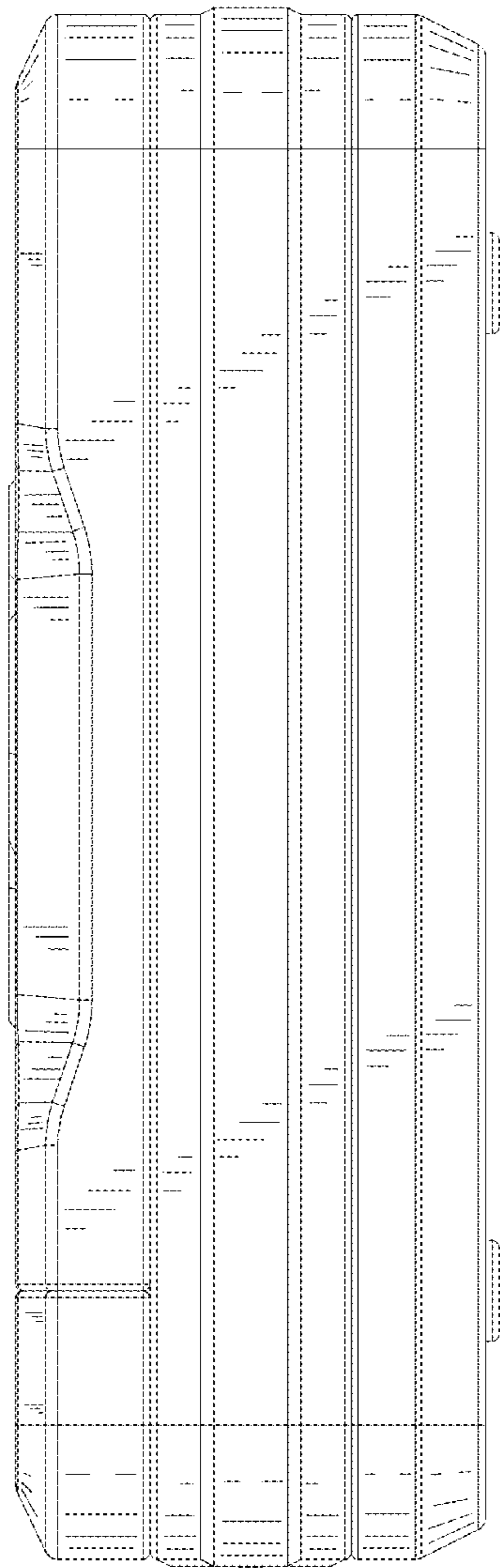


FIG. 5



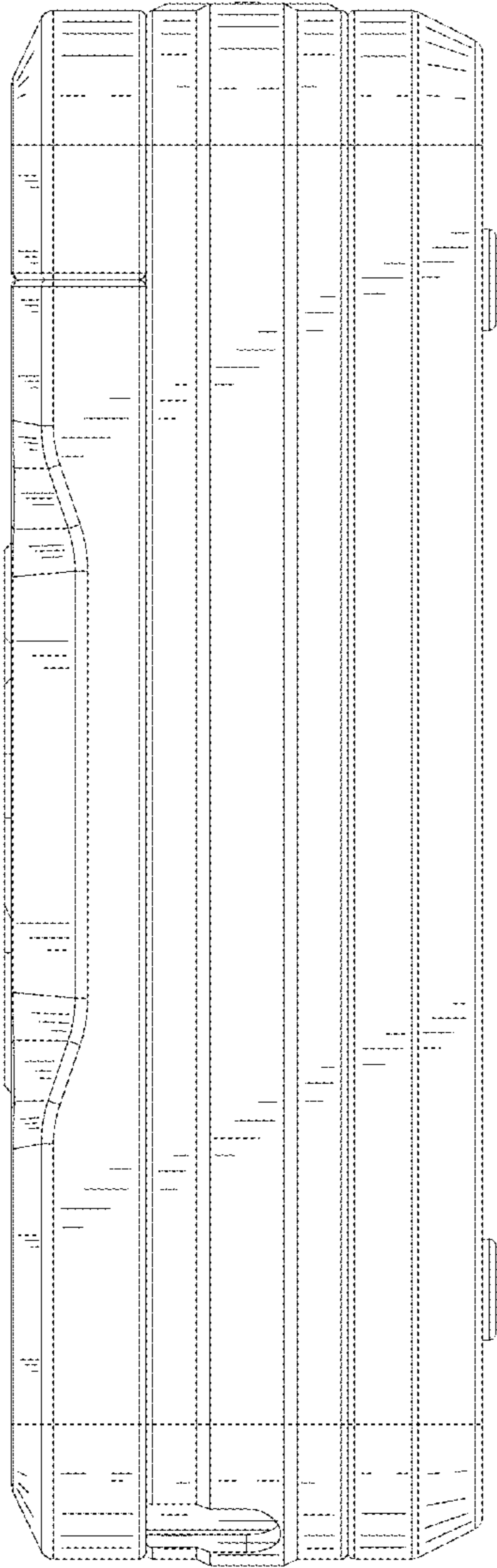
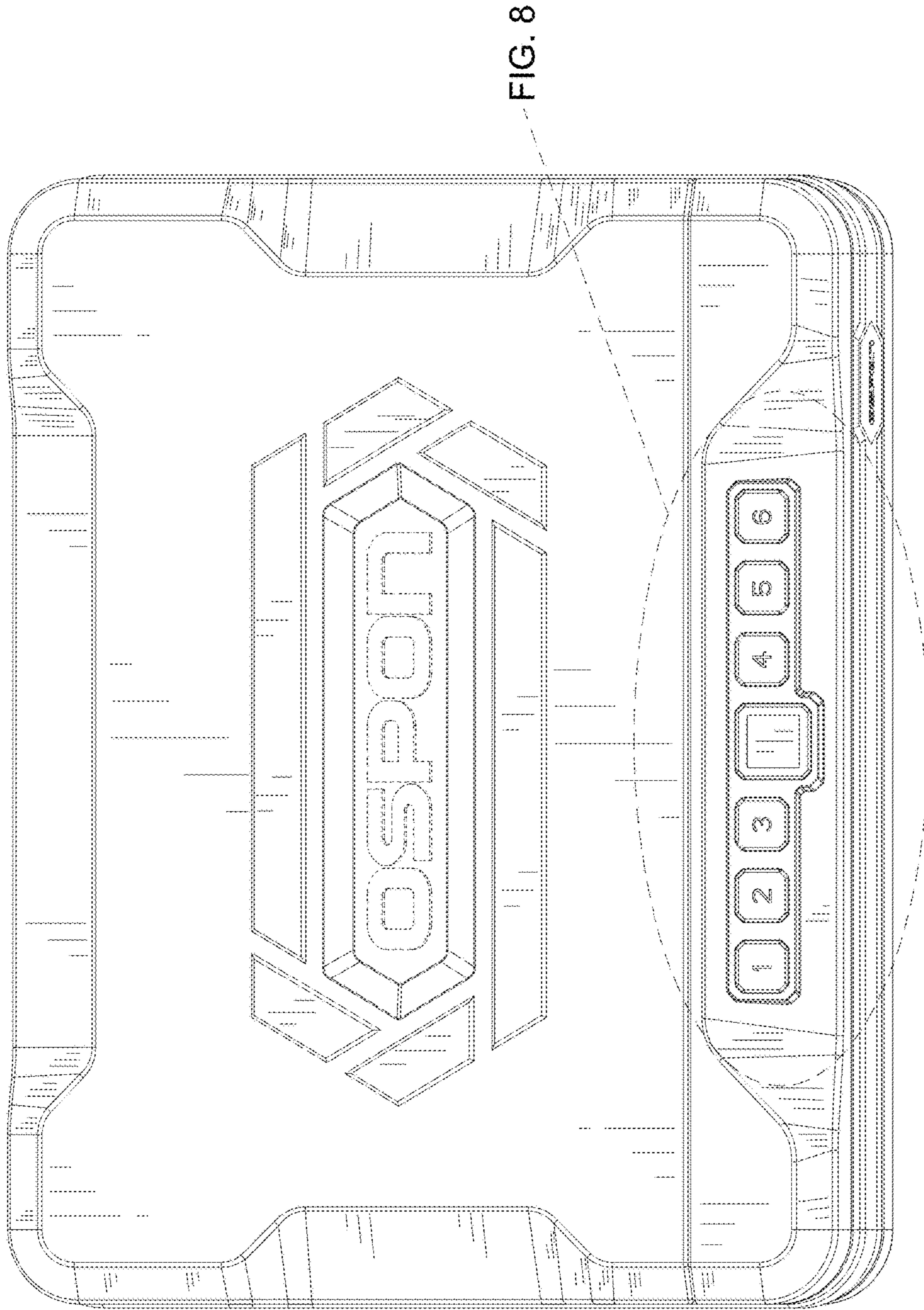


FIG. 6





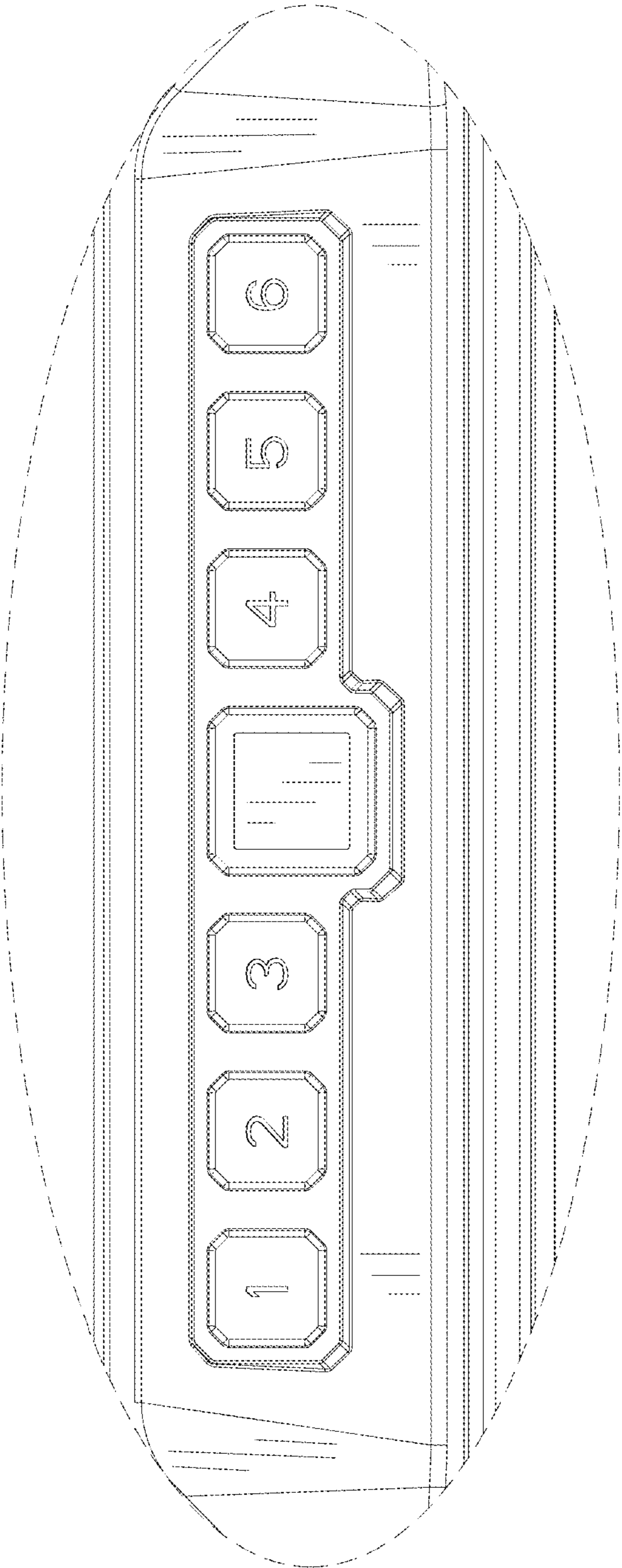


FIG. 8

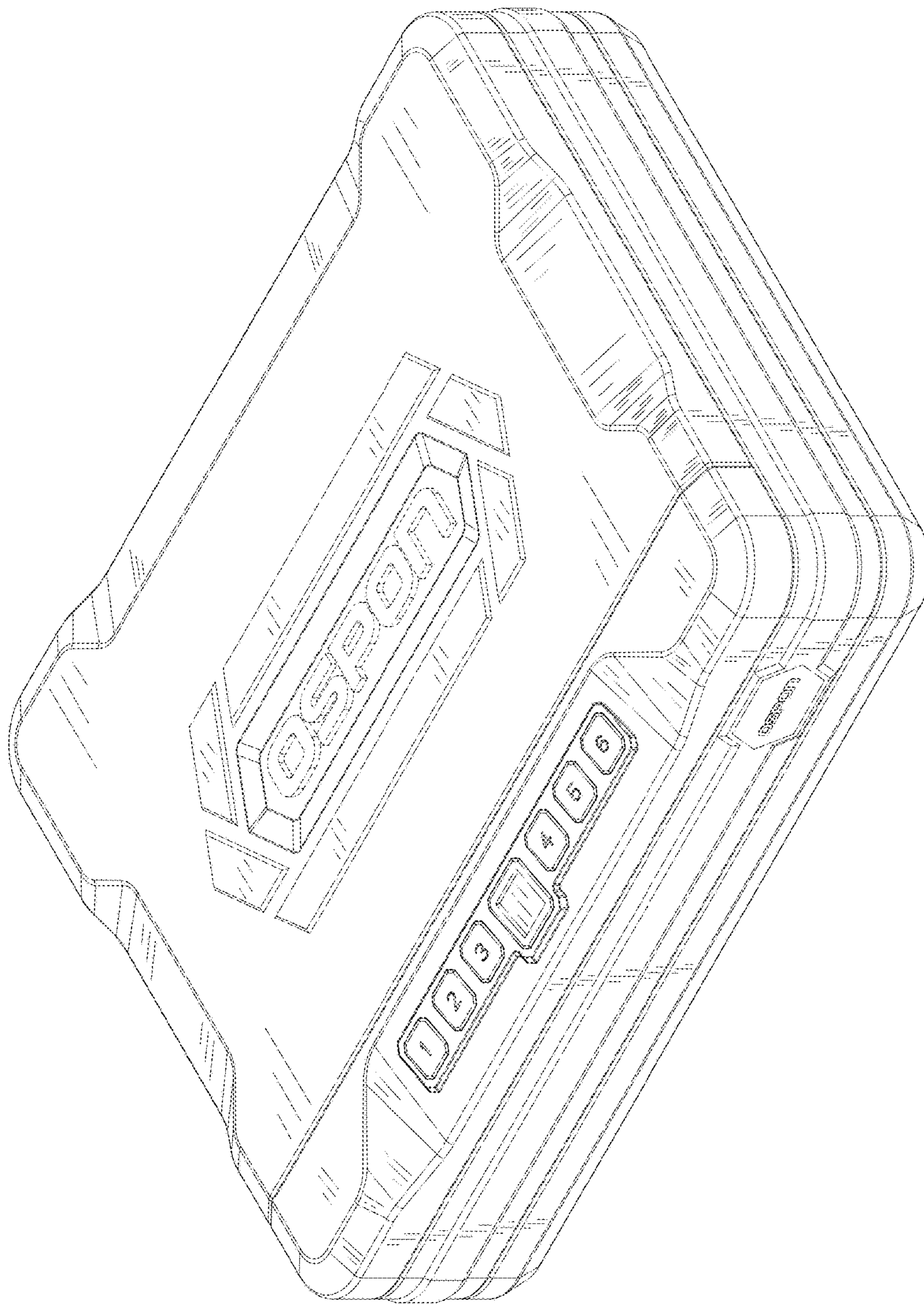


FIG. 9



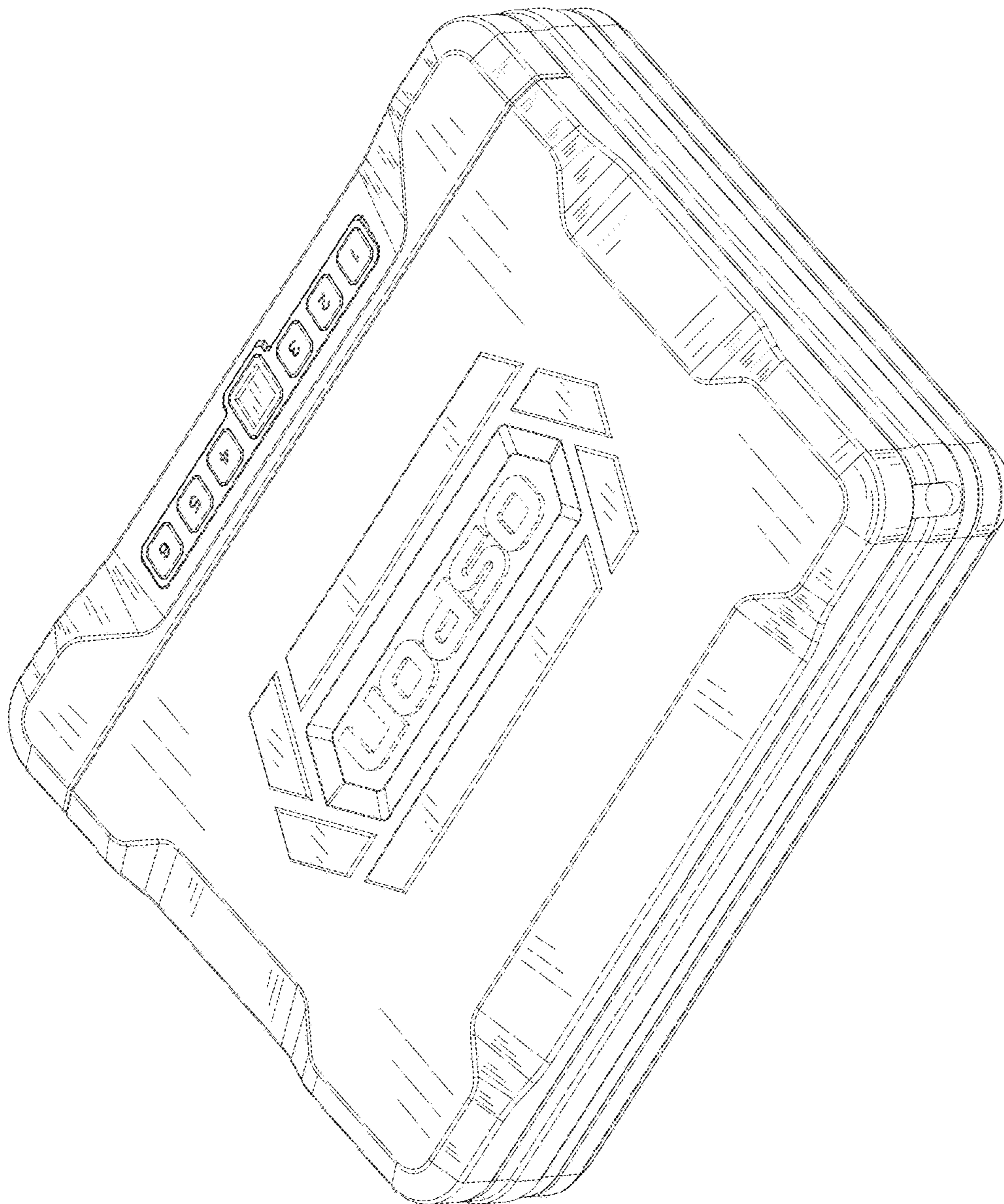


FIG. 10



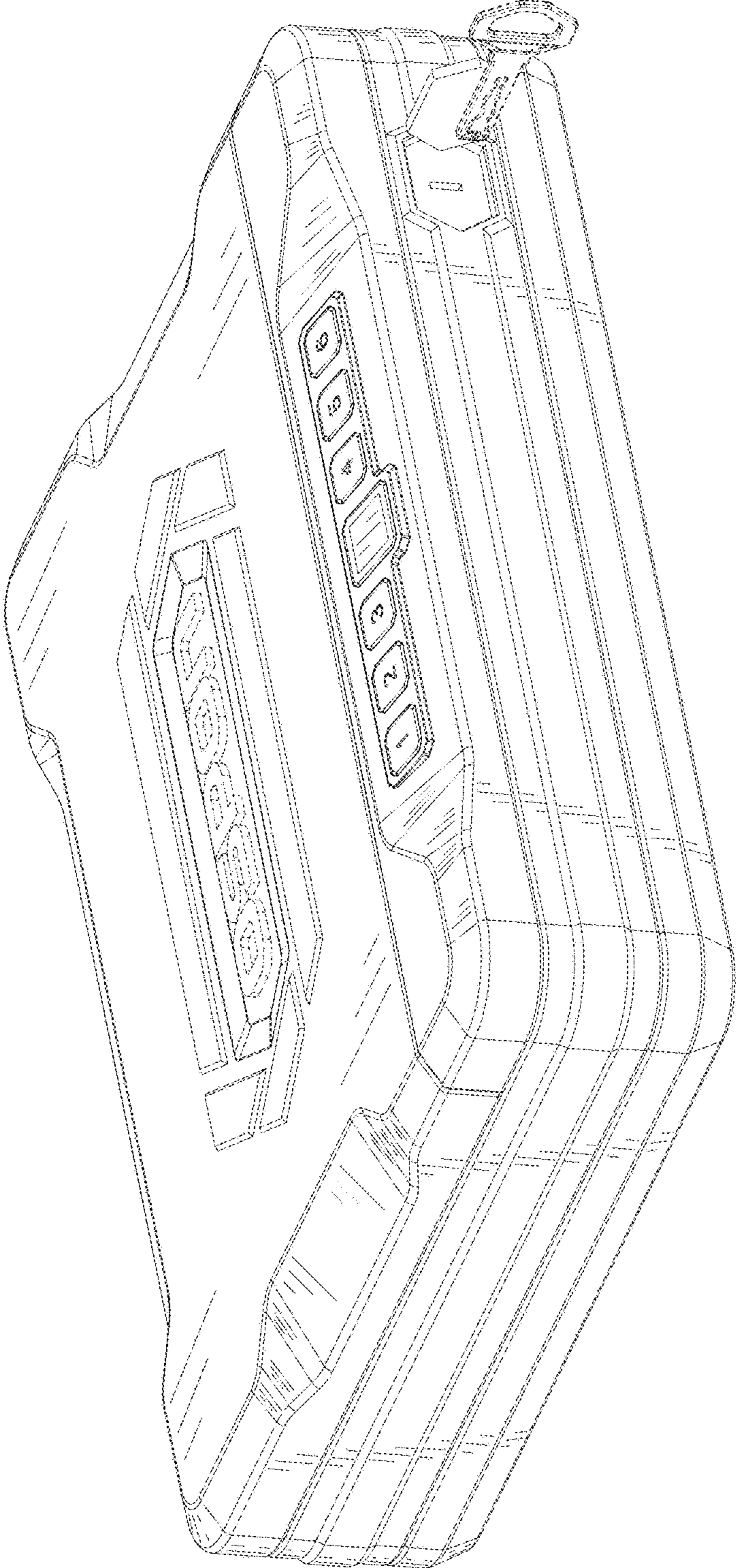


FIG. 11