



US00D866912S

(12) **United States Design Patent**  
**Sostmann**

(10) **Patent No.:** **US D866,912 S**

(45) **Date of Patent:** **\*\* Nov. 12, 2019**

(54) **PALLET FOR FORKLIFTS**

(71) Applicant: **GEORG UTZ HOLDING AG,**  
Bremgarten (CH)

(72) Inventor: **Rüdiger Sostmann,** Lingen (DE)

(\*\*) Term: **15 Years**

(21) Appl. No.: **35/505,682**

(22) Filed: **Aug. 23, 2018**

(80) **Hague Agreement Data**

Int. Filing Date: **Aug. 23, 2018**

Int. Reg. No.: **DM/102669**

Int. Reg. Date: **Aug. 23, 2018**

Int. Reg. Pub. Date: **Sep. 21, 2018**

(51) **LOC (12) Cl.** ..... **09-08**

(52) **U.S. Cl.**  
USPC ..... **D34/38**

(58) **Field of Classification Search**  
USPC ..... D34/38  
CPC ..... B65D 2519/00034; B65D 2519/00069;  
B65D 2519/00293; B65D 2519/00139  
See application file for complete search history.

(56) **References Cited**

**U.S. PATENT DOCUMENTS**

- 4,051,787 A \* 10/1977 Nishitani ..... B65D 19/0012  
108/55.3
- 5,676,064 A \* 10/1997 Shuert ..... B65D 19/0012  
108/55.1
- D476,789 S \* 7/2003 Apps ..... B65D 19/0016  
D34/38

- 8,739,706 B2 \* 6/2014 Dubois ..... B65D 19/0063  
108/56.1
- D730,013 S \* 5/2015 Miller ..... B65D 19/0095  
D34/38
- 9,132,937 B2 \* 9/2015 Ritzberger ..... B65D 19/38
- D774,271 S \* 12/2016 Marti ..... B65D 19/0095  
D34/38
- 9,926,103 B2 \* 3/2018 Xie ..... B65D 19/38
- D825,882 S \* 8/2018 Thompson ..... B65D 19/38  
D34/38
- 2003/0110990 A1 \* 6/2003 Apps ..... B65D 19/0016  
108/57.25

**OTHER PUBLICATIONS**

www.utzgroup.com: UPAL-S Pallet. © 2019; 6 pages. Found online Jul. 1, 2019 at <https://www.utzgroup.com/products/pallets-upal-stacking-frames/> (Year: 2019).\*

\* cited by examiner

*Primary Examiner* — Robert M. Spear

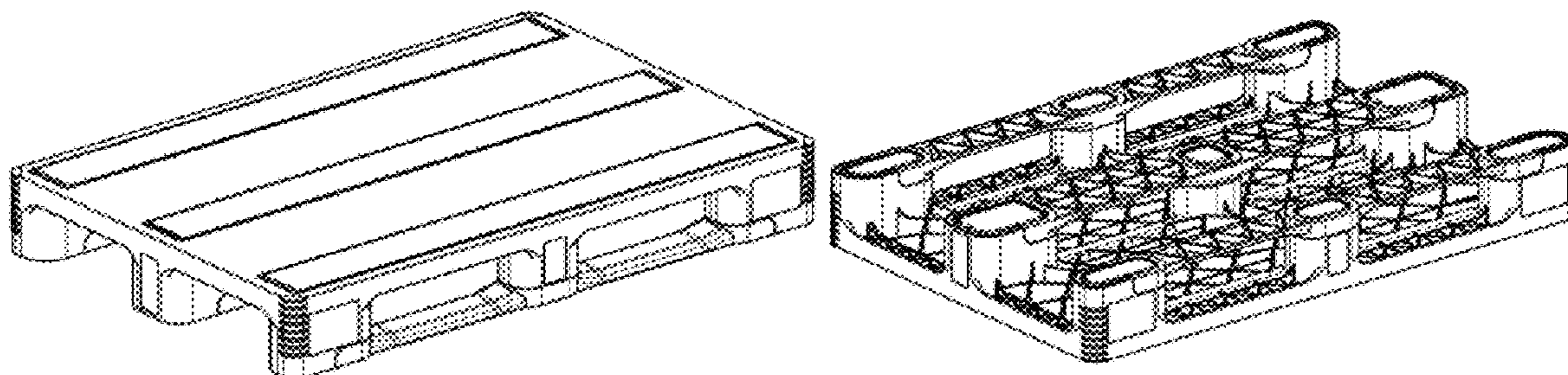
(57) **CLAIM**

The ornamental design for pallet for forklifts, as shown and described.

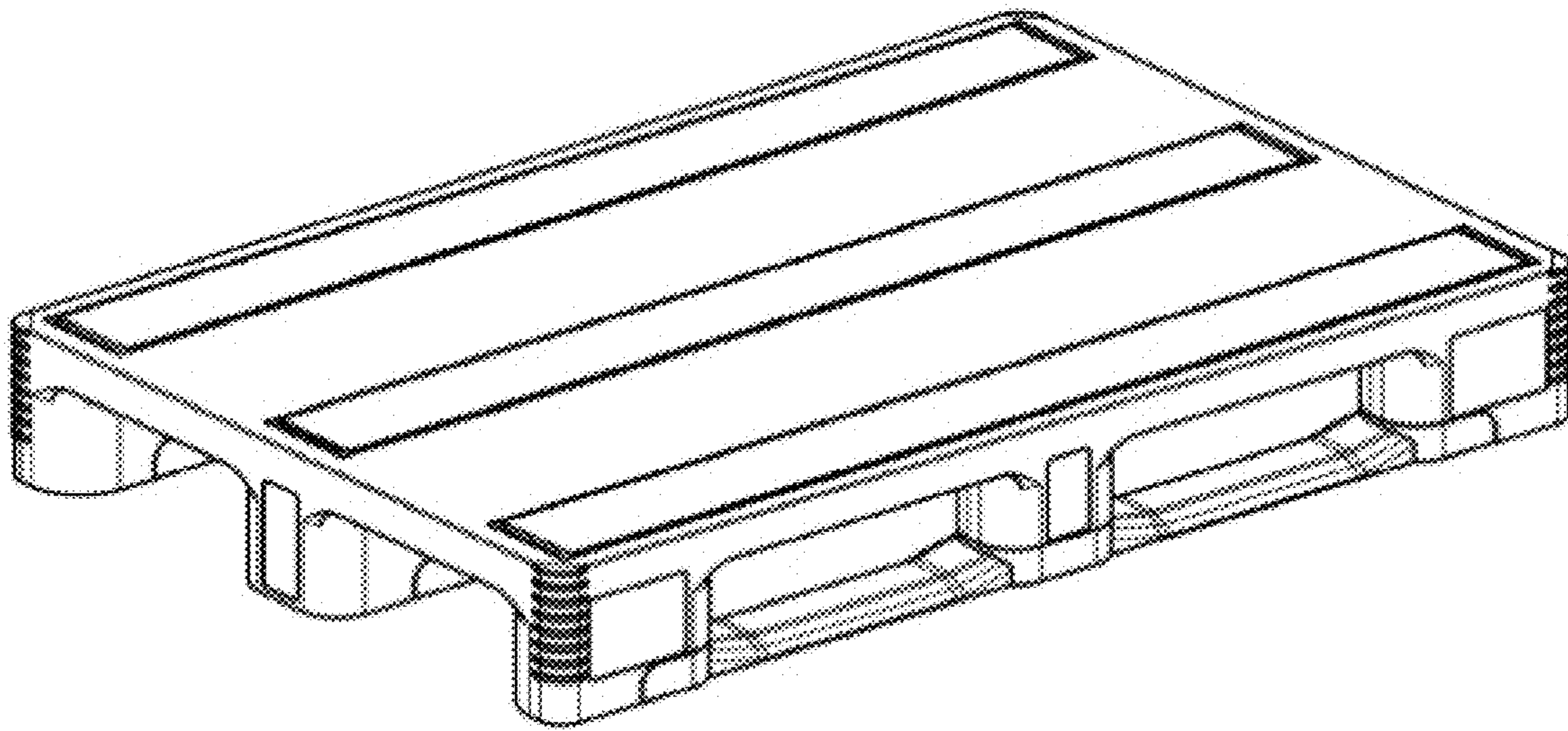
**DESCRIPTION**

- 1. Pallet for forklifts
- 1.1 : Perspective
- 1.2 : Front
- 1.3 : Back
- 1.4 : Right
- 1.5 : Left
- 1.6 : Top
- 1.7 : Bottom
- 1.8 : Perspective

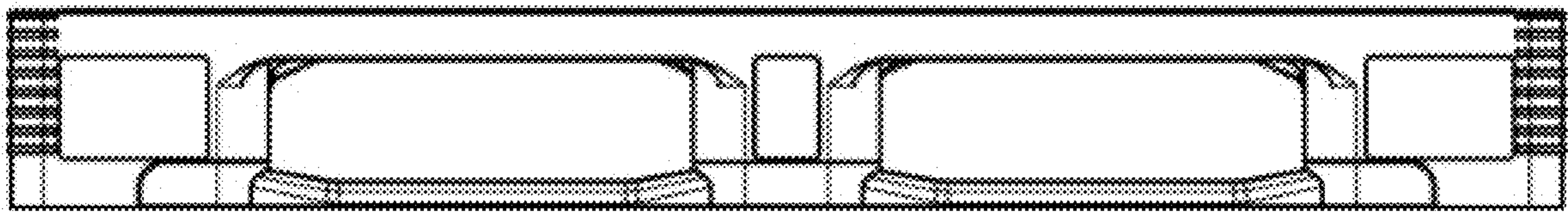
**1 Claim, 8 Drawing Sheets**



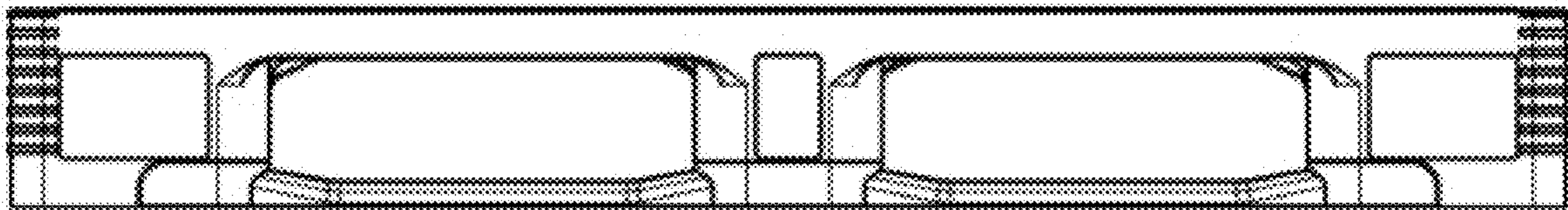
**1.1**



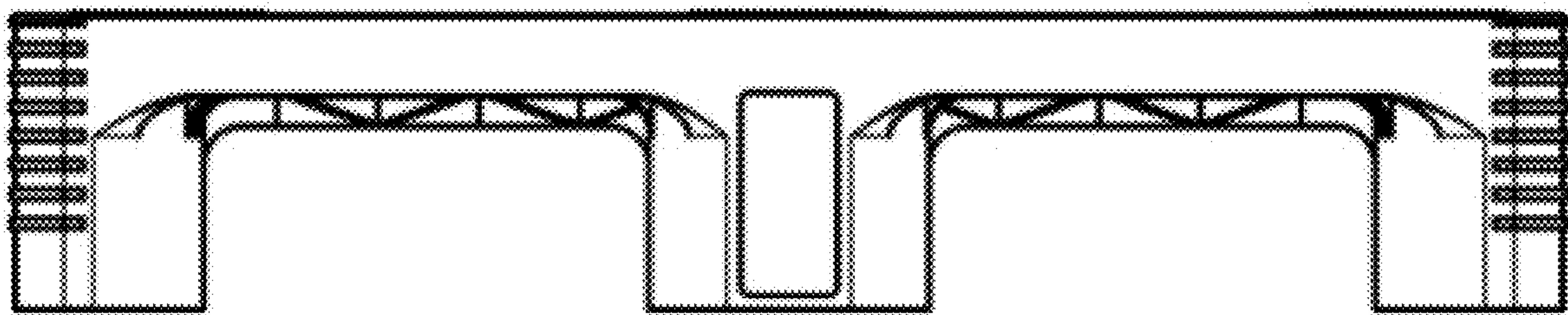
1.2



**1.3**

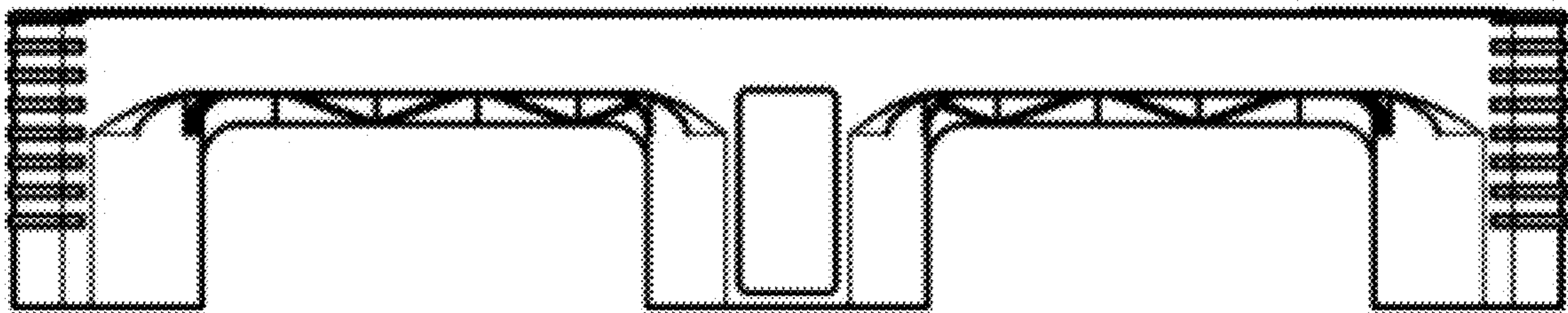


1.4

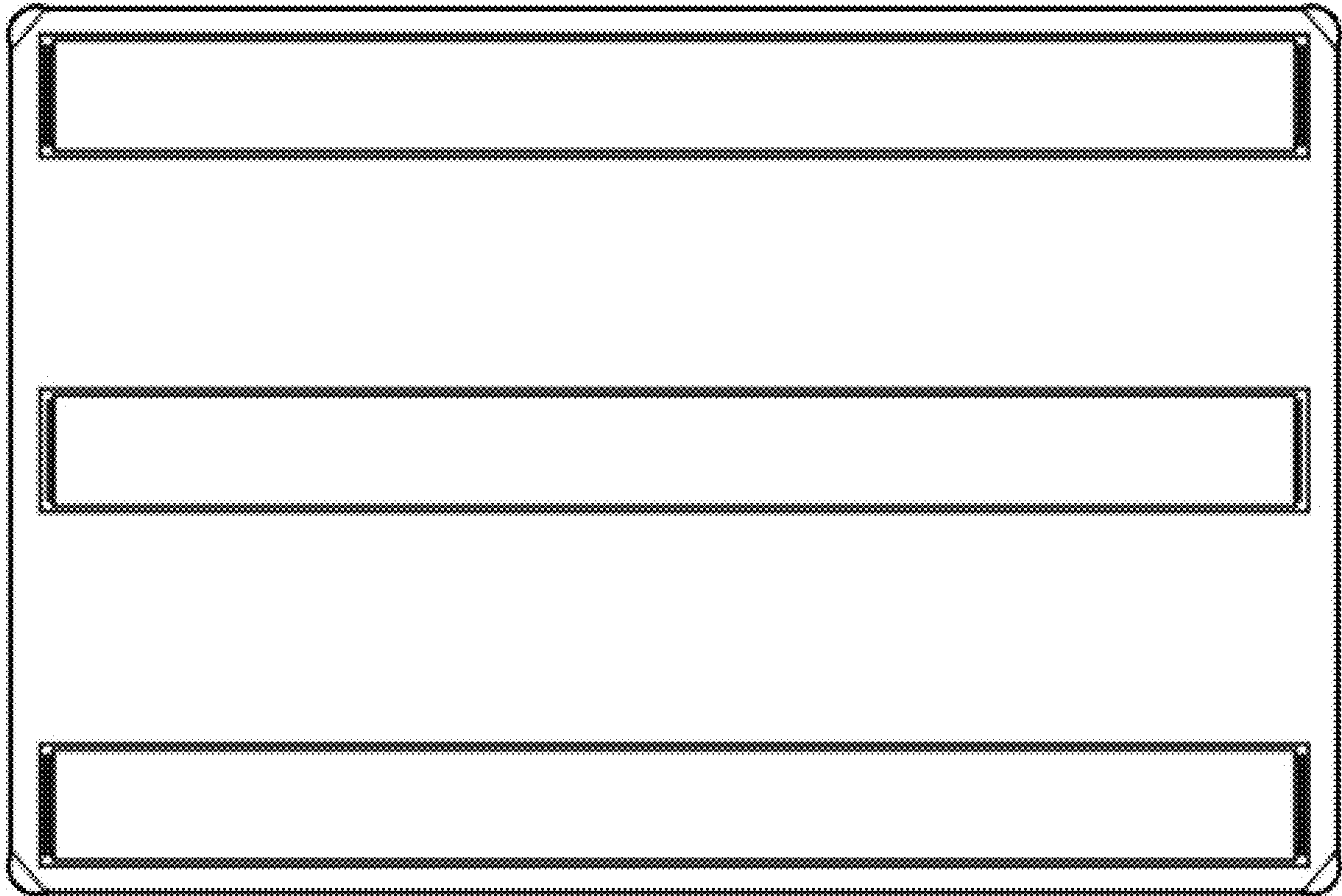




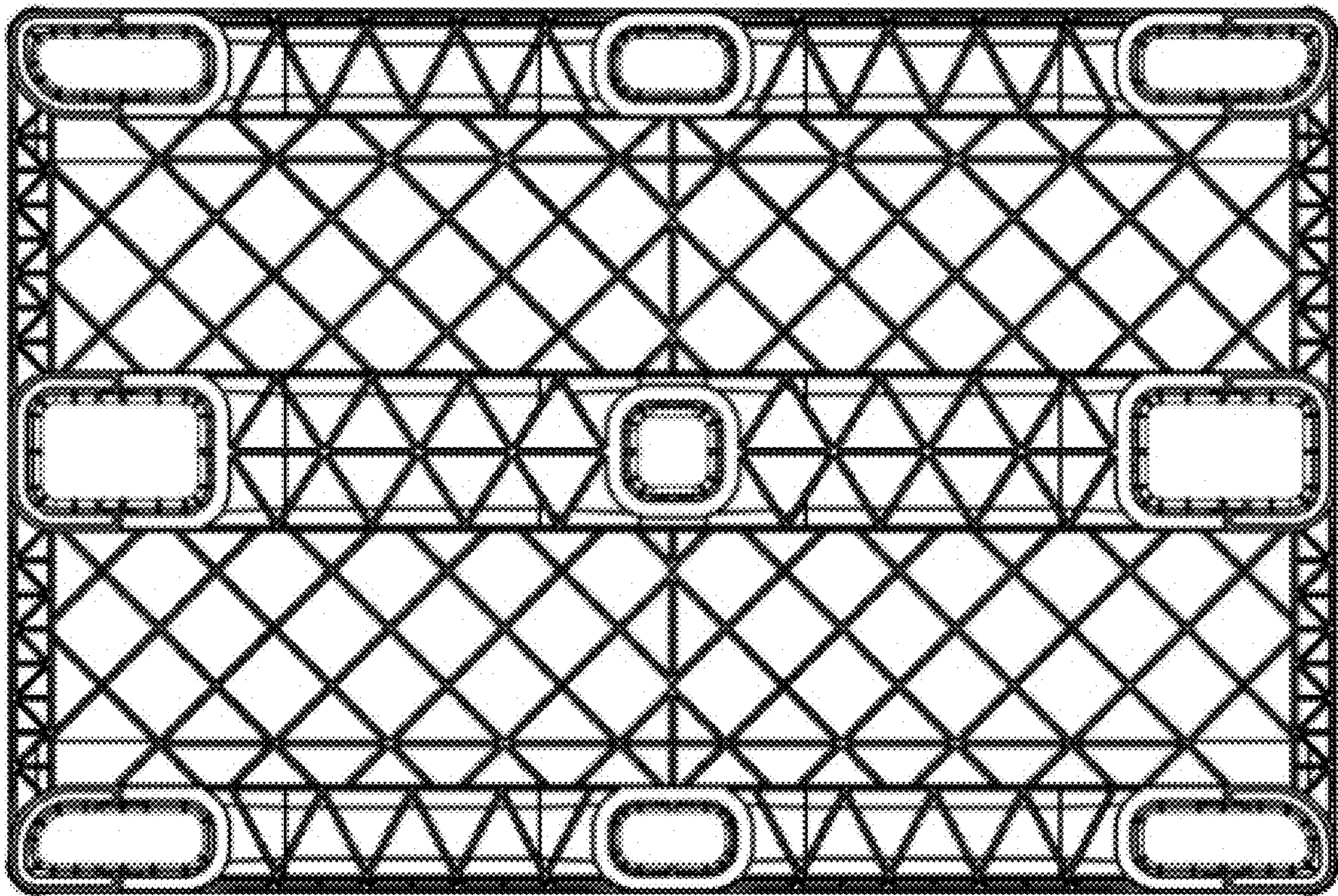
1.5



# 1.6



1.7





1.8

