

US00D866911S

(12) **United States Design Patent** (10) **Patent No.:** **US D866,911 S**
Clark et al. (45) **Date of Patent:** **** Nov. 12, 2019**

(54) **JACK**

(71) Applicant: **ARB Corporation Limited**, Kilsyth (AU)

(72) Inventors: **John Desmond Clark**, Kilsyth (AU); **Andrew Harry Brown**, Kilsyth (AU)

(73) Assignee: **ARB Corporation Limited**, Kilsyth (AU)

(**) Term: **15 Years**

(21) Appl. No.: **29/627,606**

(22) Filed: **Nov. 28, 2017**

(30) **Foreign Application Priority Data**

Jun. 16, 2017 (AU) 201713629

(51) **LOC (12) Cl.** **12-05**

(52) **U.S. Cl.**
USPC **D34/31**

(58) **Field of Classification Search**
USPC 182/141; 254/100, 134, 29 R, 2 B, 30, 254/351, 352, 419, 420, 423, 429, 8 B, 254/93 H, 94; 280/47.131; 298/11, 17.7, 298/17 B, 17 R, 17 S, 17 SG, 17 T; 405/290; 414/427, 494; 52/126.1; 72/392; D12/223, 400; D15/5;
(Continued)

(56) **References Cited**

U.S. PATENT DOCUMENTS

628,803 A * 7/1899 Hildebrand B66F 1/06
254/112
685,011 A * 10/1901 Tell B66F 3/08
211/207

(Continued)

OTHER PUBLICATIONS

Amazon, "Hydraulic Recovery Jack", Jun. 14, 2019. https://www.amazon.com/ARB-1060001-Hydraulic-Recovery-Locating/dp/B07GNLL8C9/ref=sr_1_1?gclid=Cj0KCQjw6IfoBRCiARIsAF6q06u_Bjadn0xP4Smb5sdhHRPsUcjsiyQh58C-F080SUxtIH-RPWybPRkaAvfsEALw_wcB&hvadid=177597162851&hvdev=c&hvlocphy=9007807&h. Shown on p. 1. (Year: 2019).*

Primary Examiner — Susan E Krakower
Assistant Examiner — Michael A Maharajh
(74) *Attorney, Agent, or Firm* — Davis Wright Tremaine LLP; Heather M. Colburn

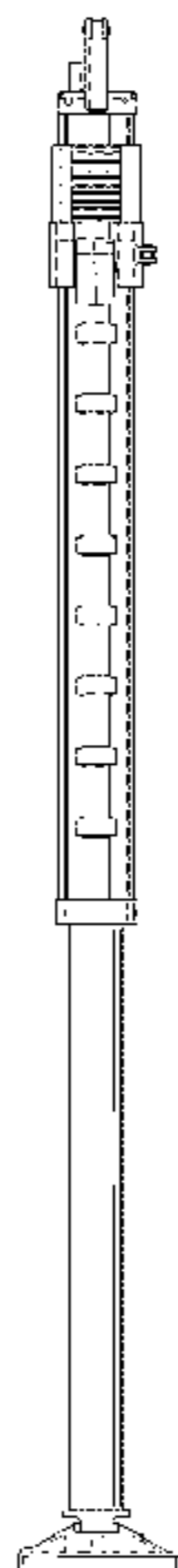
(57) **CLAIM**

The ornamental design for a jack, as shown and described.

DESCRIPTION

FIG. 1 is a front elevation view of a jack depicted in an extended configuration and showing my new design.
FIG. 2 is a top left side perspective view of the jack depicted in the extended configuration.
FIG. 3 is a right side elevation view of the jack depicted in the extended configuration.
FIG. 4 is a rear elevation view of the jack depicted in the extended configuration.
FIG. 5 is a left side elevation view of the jack depicted in the extended configuration.
FIG. 6 is a top plan view of the jack depicted in the extended configuration.
FIG. 7 is a front elevation view of the jack depicted in a retracted configuration.
FIG. 8 is a top right side perspective view of the jack depicted in the retracted configuration.
FIG. 9 is a right side elevation view of the jack depicted in the retracted configuration.
FIG. 10 is a rear elevation view of the jack depicted in the retracted configuration.
FIG. 11 is a left side elevation view of the jack depicted in the retracted configuration; and,
FIG. 12 is a top plan view of the jack depicted in the retracted configuration.

1 Claim, 7 Drawing Sheets



US D866,911 S

(58) **Field of Classification Search**

USPC D23/233; D25/122; D34/28, 29, 31, 33,
D34/35, 38

CPC B66F 1/00; B66F 1/06; B66F 1/08; B66F
3/00; B66F 5/00; F16M 11/28; E04G
25/061; A47G 27/0487

See application file for complete search history.

(56) **References Cited**

U.S. PATENT DOCUMENTS

858,126 A * 6/1907 Wendling B66F 1/06
254/104
1,241,591 A * 10/1917 Widlar B66F 1/06
254/111
1,629,140 A * 5/1927 Bate B66F 1/06
254/110
D125,906 S * 3/1941 Akins D34/31
D156,357 S * 12/1949 Marti D34/33
2,786,650 A * 3/1957 Bottorff B66F 1/06
248/243
2,970,810 A * 2/1961 Zich B60S 9/04
248/354.5
3,022,043 A * 2/1962 Weiss B60D 1/66
248/354.3
3,580,543 A * 5/1971 Hafeli B66F 13/00
254/100
D228,300 S * 9/1973 Kearn D34/31
D230,014 S * 1/1974 Edgell D34/31
D248,460 S * 7/1978 Dunn D34/31
4,176,824 A * 12/1979 Linton B60S 9/10
254/423
4,624,447 A * 11/1986 Richmeier B66F 1/08
254/134
4,645,181 A * 2/1987 Schapansky B66F 3/247
254/2 B
4,660,447 A * 4/1987 Rossi B60B 29/007
254/120
D291,017 S * 7/1987 Magness D12/106
D298,676 S * 11/1988 Chambers D12/106
4,909,062 A * 3/1990 Yirmiyahu A62B 3/005
254/93 R
D317,520 S * 6/1991 Celette D34/31
D329,518 S * 9/1992 Selvey D34/31
5,159,793 A * 11/1992 Deugo E04B 2/7409
52/126.1
5,228,651 A * 7/1993 Warner B66F 3/005
254/94
D338,310 S * 8/1993 Clarke D34/31
D348,966 S * 7/1994 Guyton D34/28
D350,888 S * 9/1994 Perry D34/31
D373,884 S * 9/1996 Price D34/31
5,617,698 A * 4/1997 Guilmette B25B 5/06
248/205.6

D384,482 S * 9/1997 Thole D12/106
D388,925 S * 1/1998 Hulegaard D34/28
D396,926 S * 8/1998 Underhill D34/31
6,015,135 A * 1/2000 Dube A47G 27/0487
254/1
6,053,477 A * 4/2000 Price B60S 9/04
254/94
6,176,468 B1 * 1/2001 Boulanger B66F 1/06
254/108
D467,699 S * 12/2002 King D34/31
6,691,983 B2 * 2/2004 Arzouman B66F 3/12
248/354.7
6,880,894 B2 * 4/2005 Obermeyer B60P 1/283
298/11
D513,819 S * 1/2006 Ji D34/31
D527,509 S * 8/2006 Johns D34/31
7,237,762 B2 * 7/2007 Wang B66F 1/00
254/93 H
7,316,387 B2 * 1/2008 Lu B66F 1/06
254/108
7,581,713 B1 * 9/2009 Voss B66F 3/25
254/2 B
D602,672 S * 10/2009 Stillwell D34/31
7,654,923 B2 * 2/2010 Bianchi B66F 3/00
343/883
7,722,011 B1 * 5/2010 Edwards B66F 1/06
254/100
7,857,287 B2 * 12/2010 Rucks B66F 3/08
254/100
D639,011 S * 5/2011 Ahrenholtz D34/31
D639,012 S * 5/2011 Ahrenholtz D34/31
D639,013 S * 5/2011 Ahrenholtz D34/31
D653,834 S * 2/2012 Ahrenholtz D34/31
D656,289 S * 3/2012 Crump D34/31
8,678,351 B2 * 3/2014 Siebelink B66F 7/18
254/100
8,910,924 B2 * 12/2014 Alanko B60S 9/08
254/418
D722,414 S * 2/2015 Lusty D34/31
8,973,899 B2 * 3/2015 Buckingham E04G 25/061
254/105
9,022,355 B1 * 5/2015 Pigeon B66F 3/25
254/1
D731,735 S * 6/2015 Martinez Martinez D34/31
D732,787 S * 6/2015 Chen D34/31
9,140,025 B2 * 9/2015 Barcroft B66F 3/00
D746,533 S * 12/2015 Chen F16M 11/28
D34/31
D756,588 S * 5/2016 Angel D34/31
9,630,818 B2 * 4/2017 Cantoni B66F 1/08
D789,015 S * 6/2017 Shu D34/28
D790,796 S * 6/2017 Alanko D34/31
D799,778 S * 10/2017 Gilman D34/31
2012/0153245 A1 * 6/2012 Zloch B66F 3/24
254/93 R

* cited by examiner

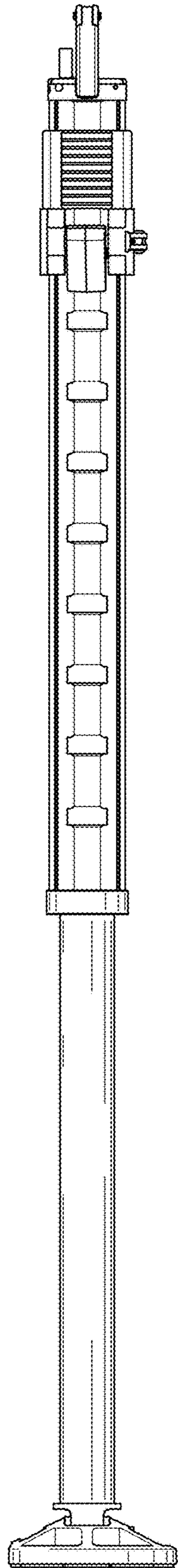


FIG. 1

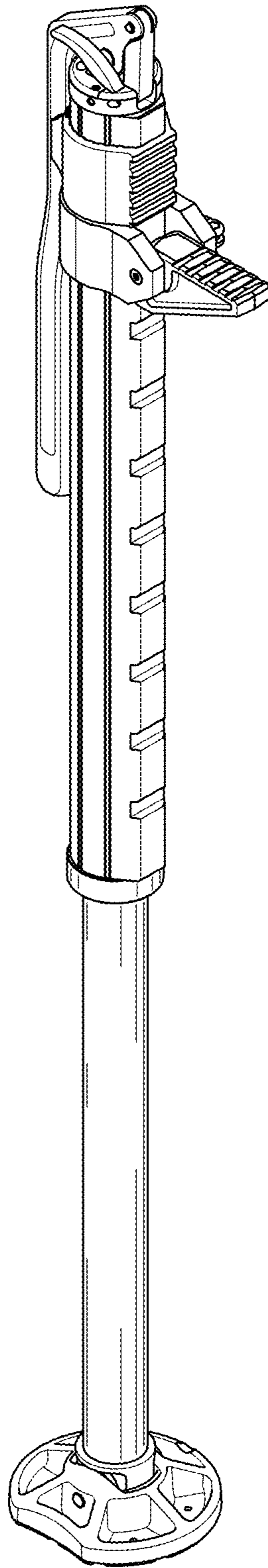


FIG. 2

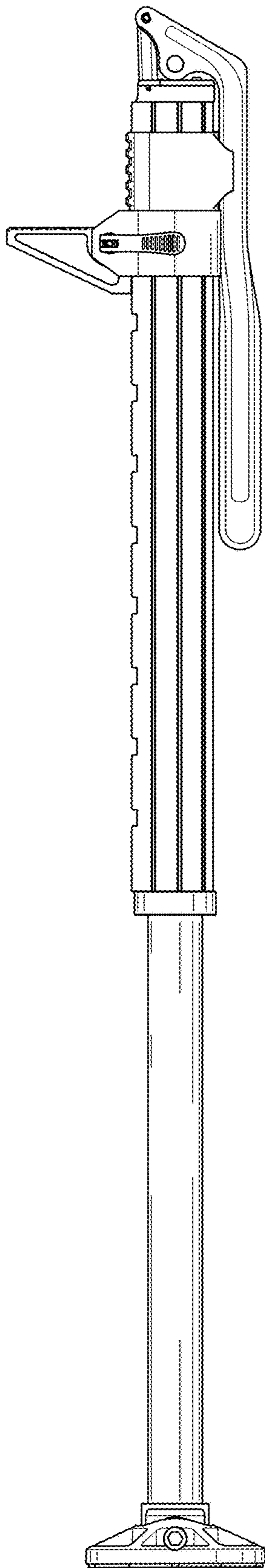


FIG. 3

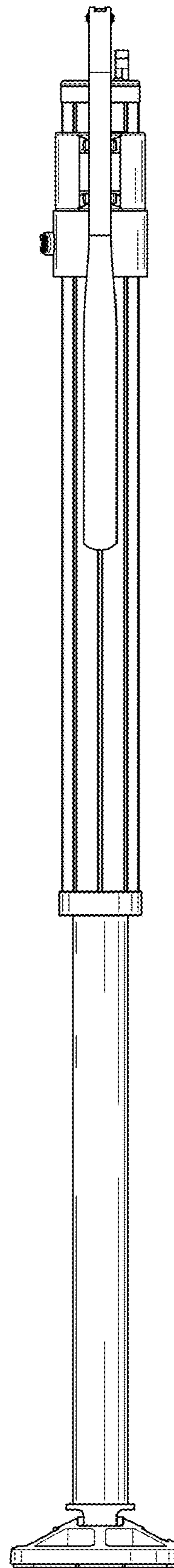


FIG. 4

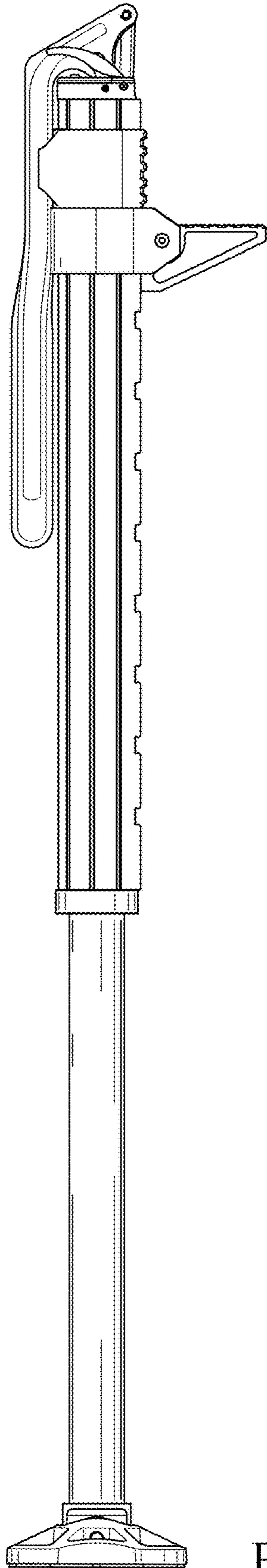


FIG. 5

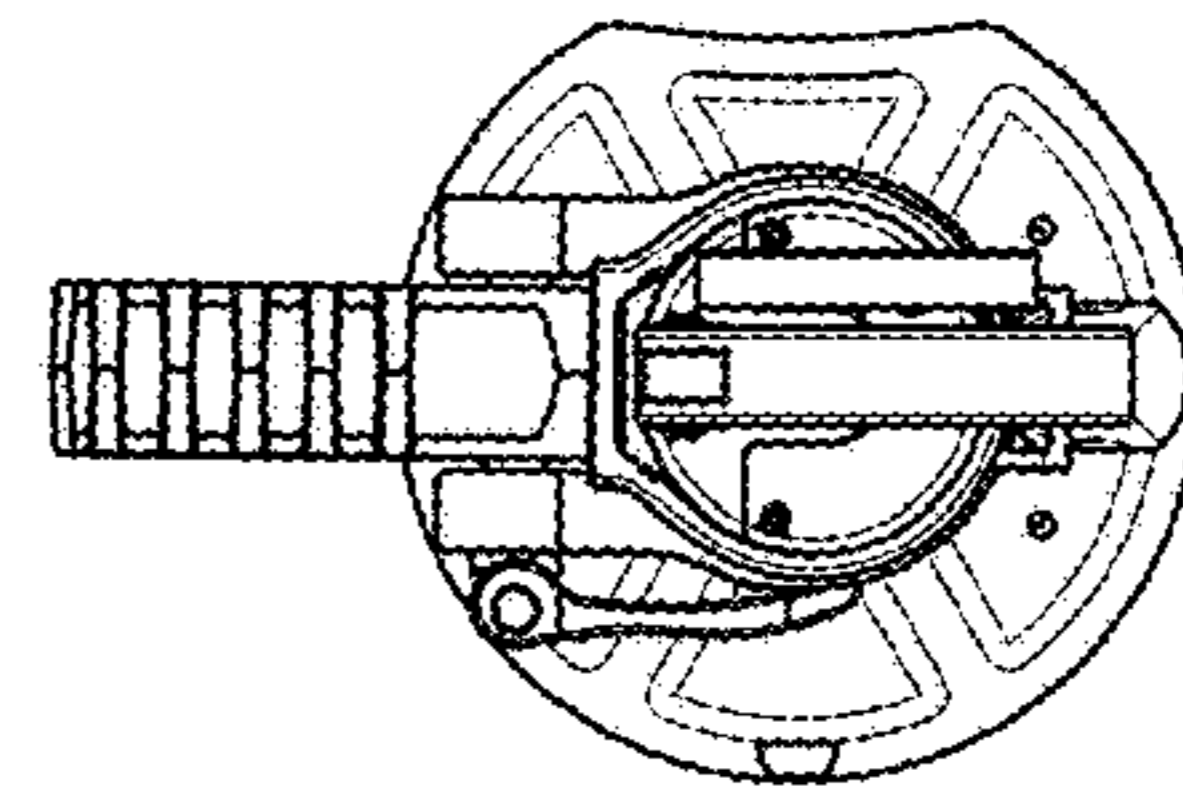


FIG. 6

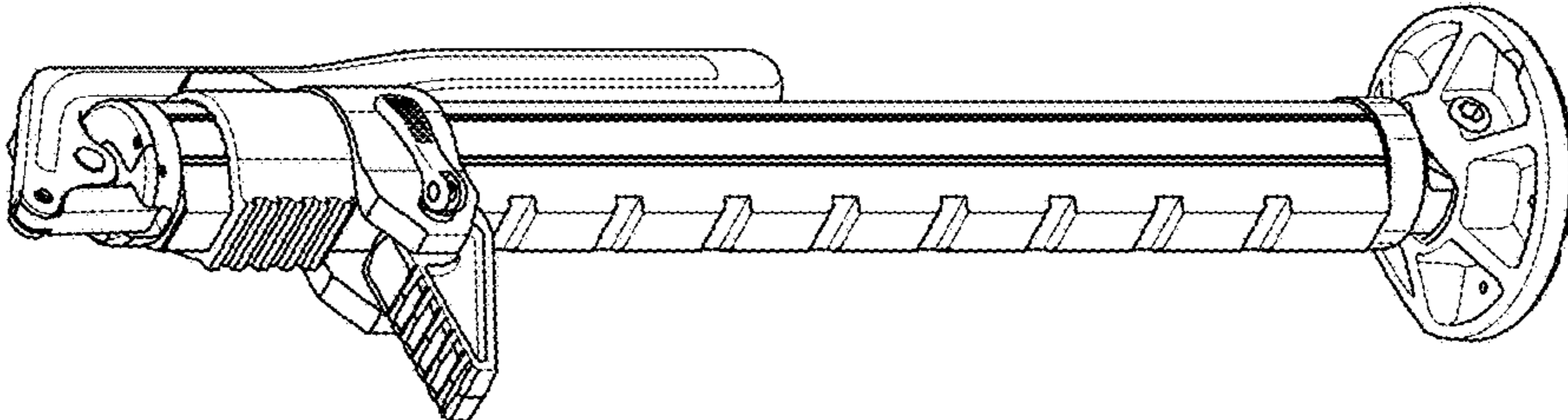


FIG. 8

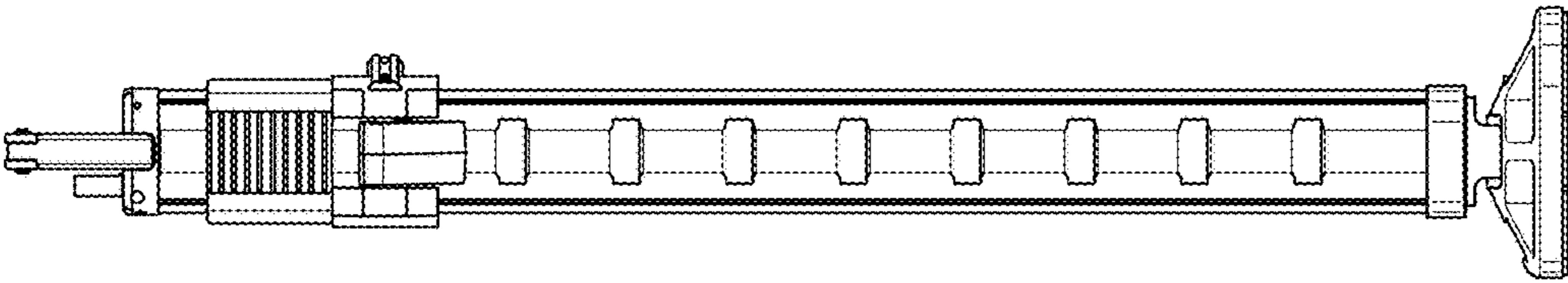


FIG. 7

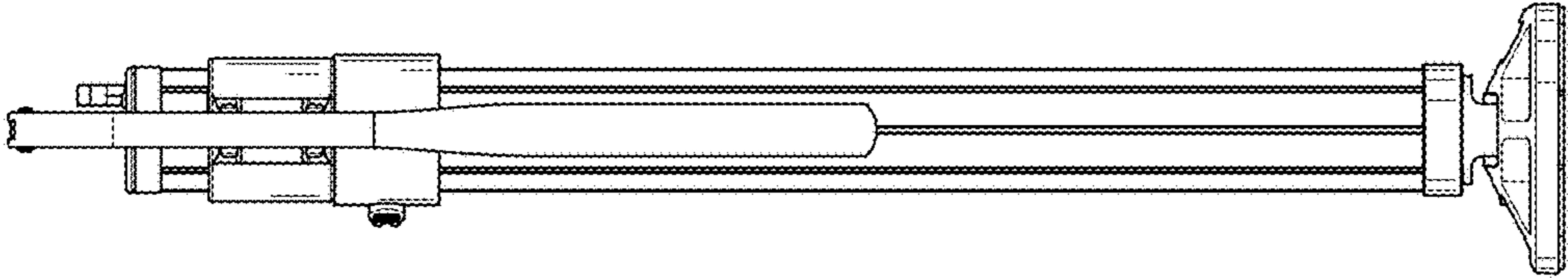


FIG. 10

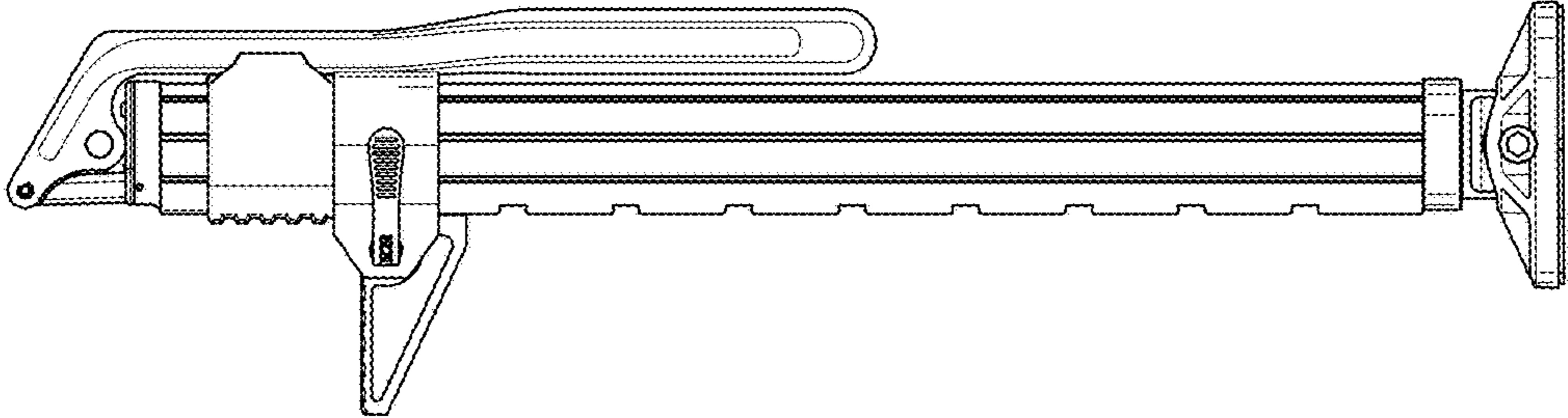


FIG. 9

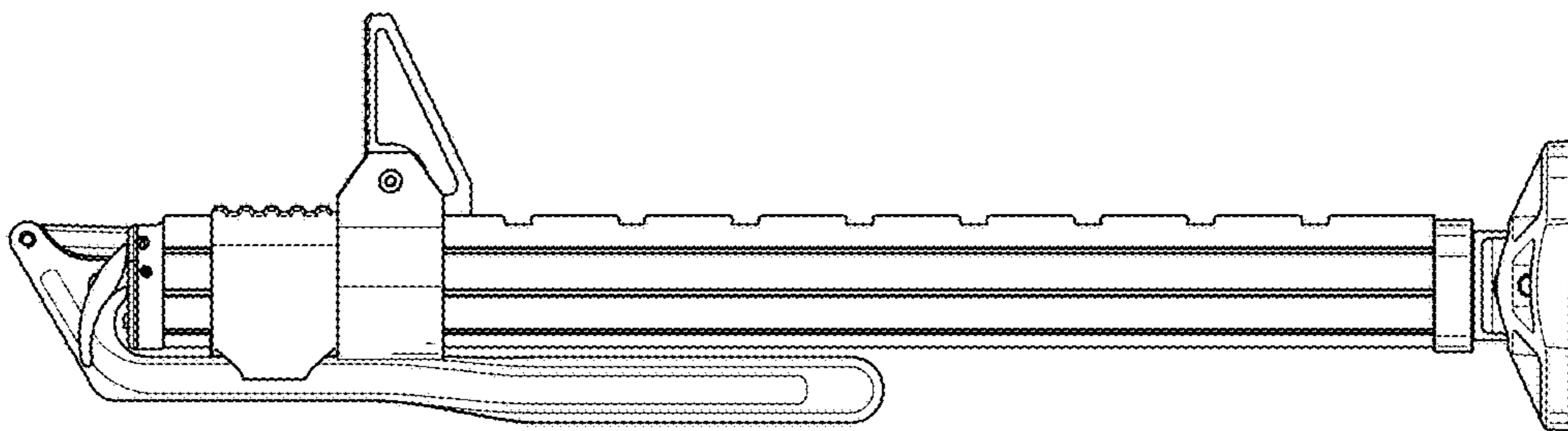


FIG. 11

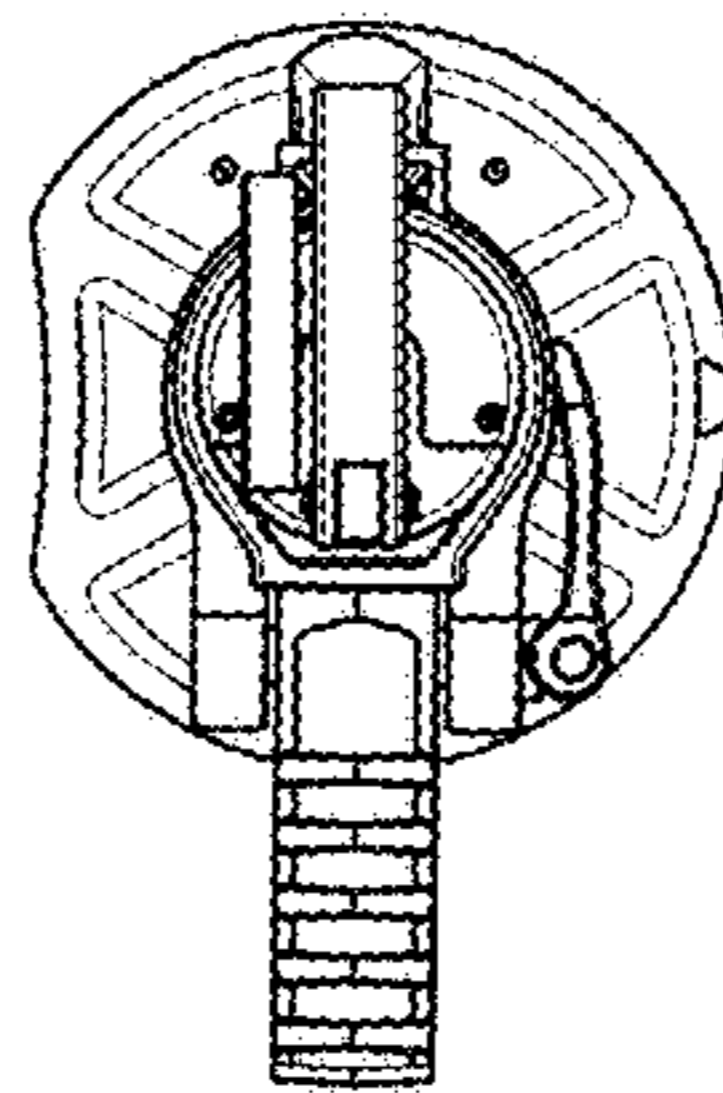


FIG. 12