



US00D866904S

(12) **United States Design Patent** (10) **Patent No.:** **US D866,904 S**  
**Sainato et al.** (45) **Date of Patent:** **\*\* \*Nov. 12, 2019**

(54) **CART**

(56) **References Cited**

(71) Applicant: **Phoenix Intangibles Holding Company**, Greenville, DE (US)  
(72) Inventors: **Anthony V. Sainato**, Westlake, OH (US); **Lee A. Wintermantel**, Moon Township, PA (US); **Paul R. Metcalfe**, Solon, OH (US); **James W. Bates**, Cambridge, OH (US); **Weston T. Skye**, University Heights, OH (US); **Scott E. Urban**, University Heights, OH (US)  
(73) Assignee: **Phoenix Intangibles Holding Company**, Greenville, DE (US)

U.S. PATENT DOCUMENTS

2,886,186	A *	5/1959	Hamilton .....	A47B 31/00
				108/189
D301,652	S *	6/1989	Roberts .....	D34/21
D632,043	S *	2/2011	Rouillard .....	D34/21
D640,436	S *	6/2011	Perelli .....	D34/17
D657,110	S *	4/2012	Schlomann .....	D34/21
D748,359	S *	1/2016	Lustig .....	D34/21
D756,584	S *	5/2016	Dunford .....	D34/12
D757,387	S *	5/2016	Cao .....	D34/21
D830,032	S *	10/2018	Sainato .....	D34/21
D831,390	S *	10/2018	Li .....	D6/675.1
D832,549	S *	10/2018	Cao .....	D34/21
2017/0190346	A1 *	7/2017	Sainato .....	B62B 3/10

\* cited by examiner

(\*) Notice: This patent is subject to a terminal disclaimer.

*Primary Examiner* — Susan E Krakower

*Assistant Examiner* — Jerry Shiuian-Hua Hsu

(74) *Attorney, Agent, or Firm* — David C. Jenkins; Eckert Seamans Cherin & Mellott, LLC

(\*\*) Term: **15 Years**

(57) **CLAIM**

(21) Appl. No.: **29/587,531**

The ornamental design for a cart, as shown and described.

(22) Filed: **Dec. 14, 2016**

**DESCRIPTION**

(51) **LOC (12) Cl.** ..... **12-02**

(52) **U.S. Cl.**  
USPC ..... **D34/21**

(58) **Field of Classification Search**  
USPC ..... D34/12, 13, 14, 15, 16, 17, 18, 19, 20,  
D34/21, 22, 23, 24, 25, 26, 27; D6/405,  
D6/675.1

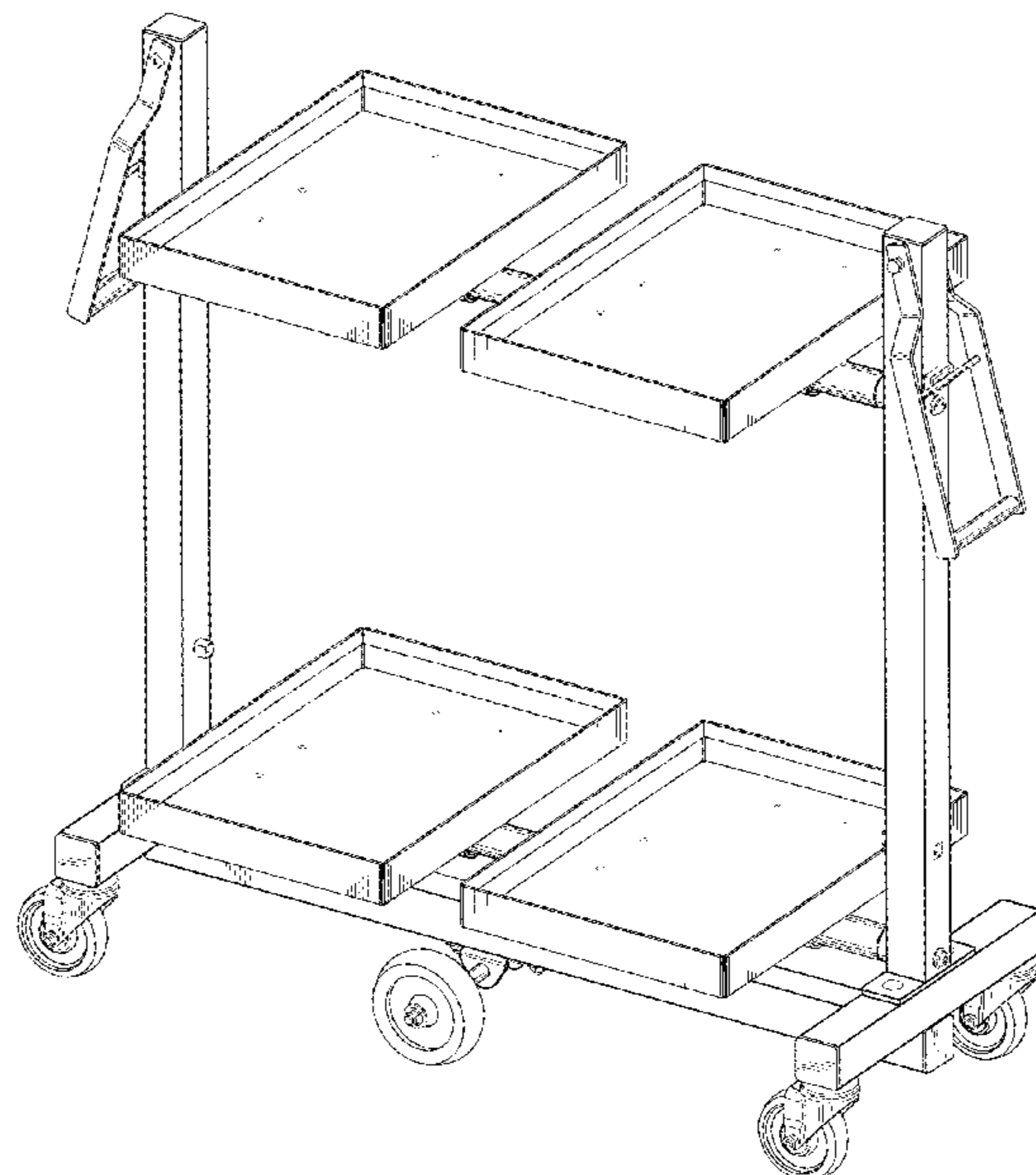
FIG. 1 is an isometric view of the cart;  
FIG. 2 is a top view of the cart;  
FIG. 3 is a bottom view of the cart;  
FIG. 4 is a left view of the cart;  
FIG. 5 is a right view of the cart;  
FIG. 6 is a back view of the cart; and,  
FIG. 7 is a front view of the cart.

CPC ..... B62B 3/02; B62B 3/002; B62B 3/006;  
B62B 3/10; B62B 3/106; B62B 3/04;  
A47B 31/00

The broken lines illustrate portions of the cart that form no part of the claimed design.

See application file for complete search history.

**1 Claim, 5 Drawing Sheets**



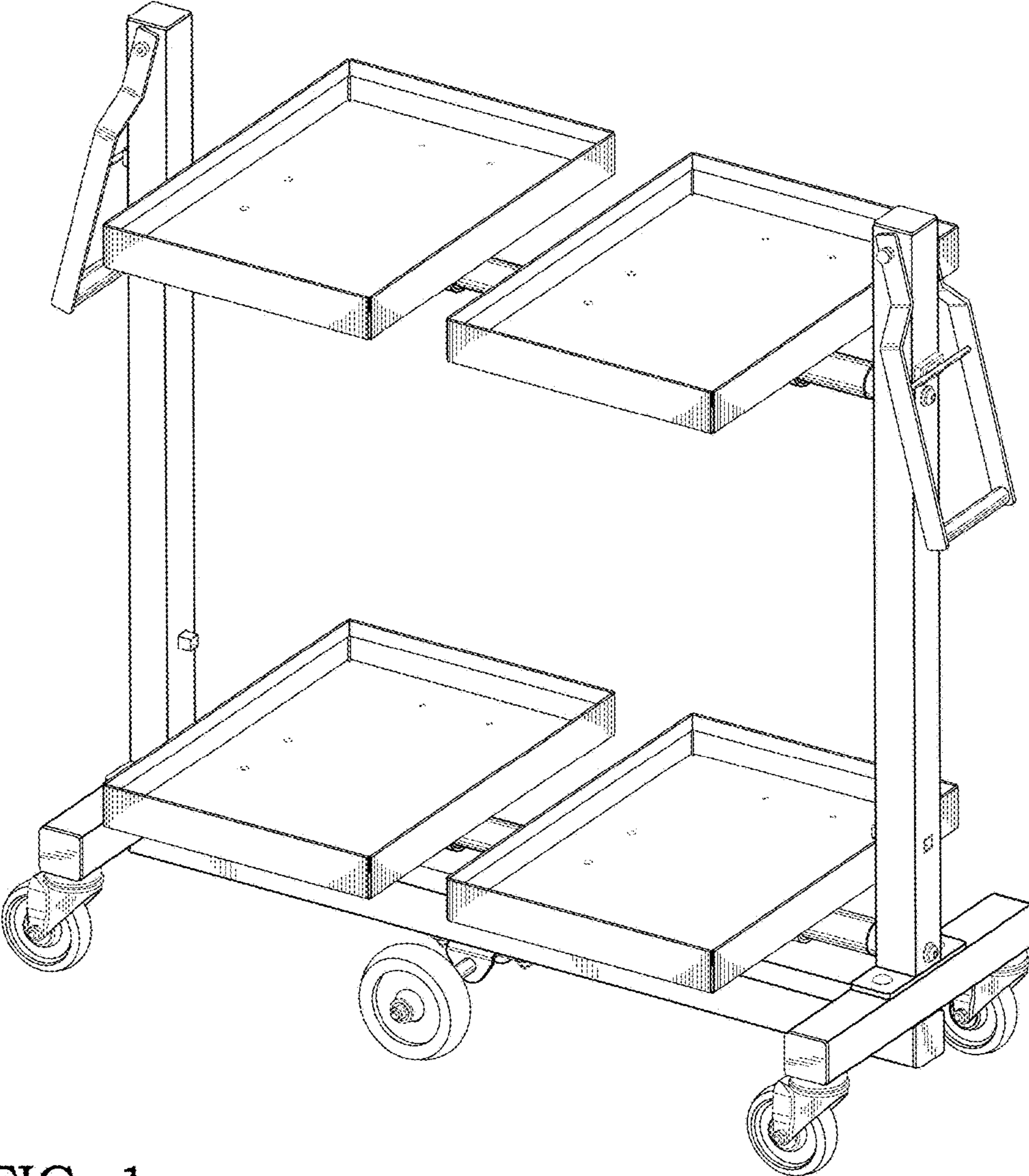


FIG. 1

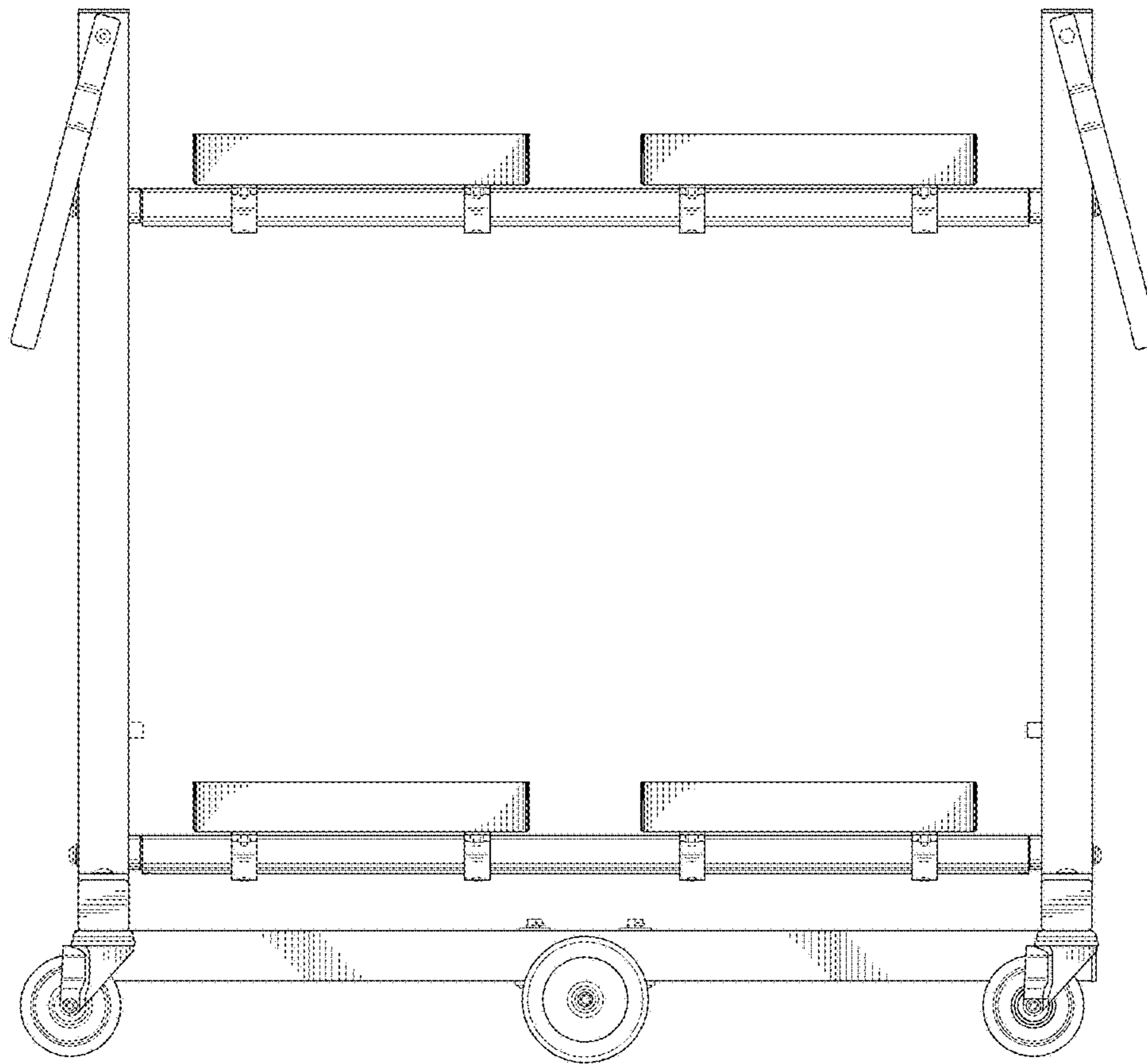


FIG. 2

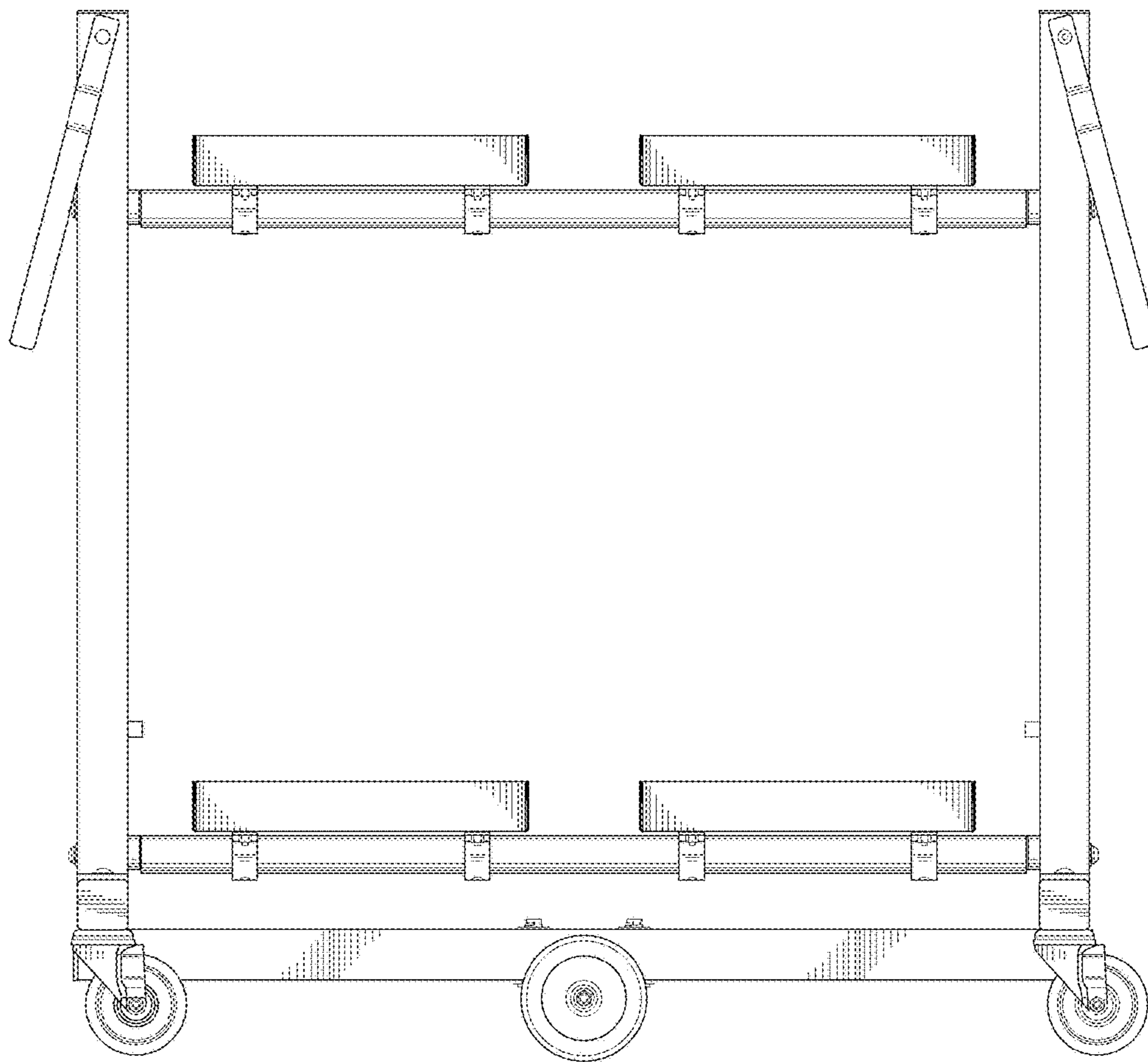


FIG. 3

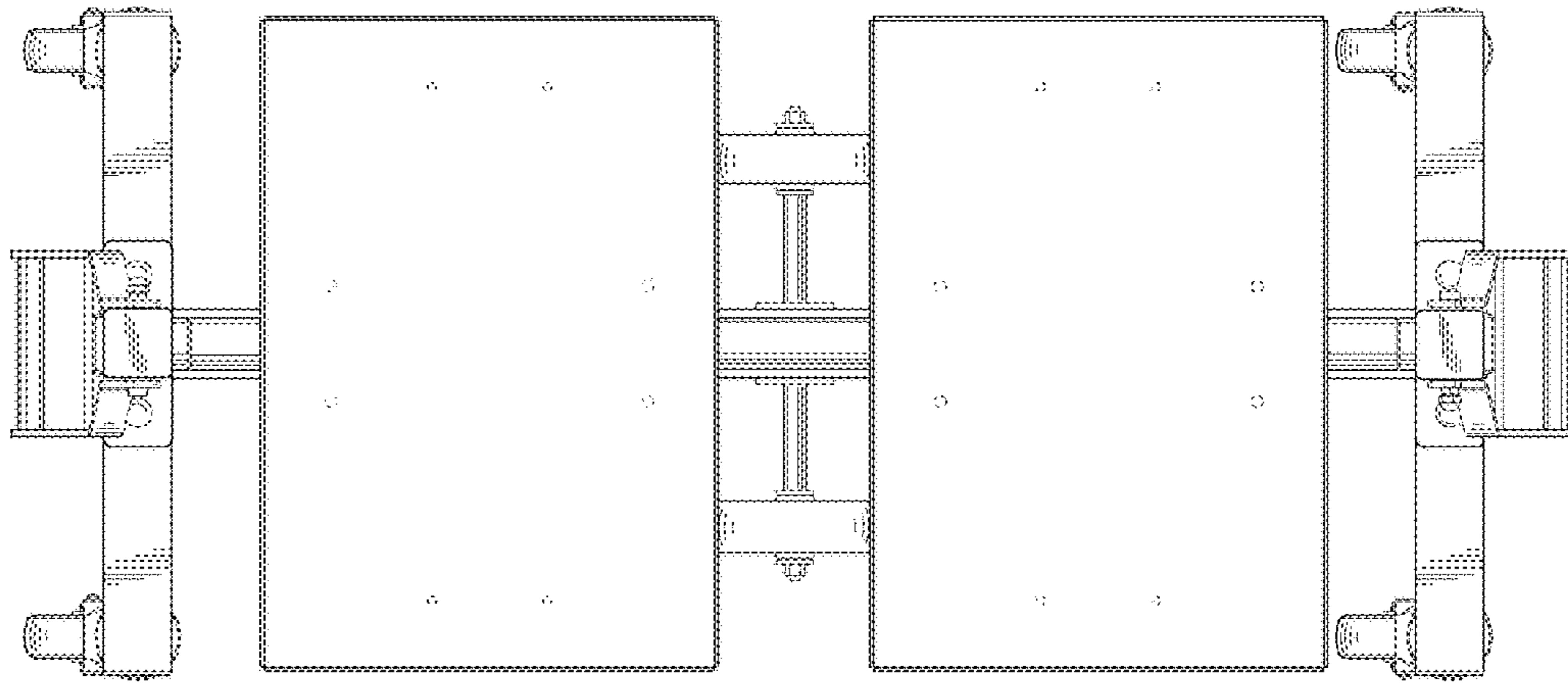


FIG. 4

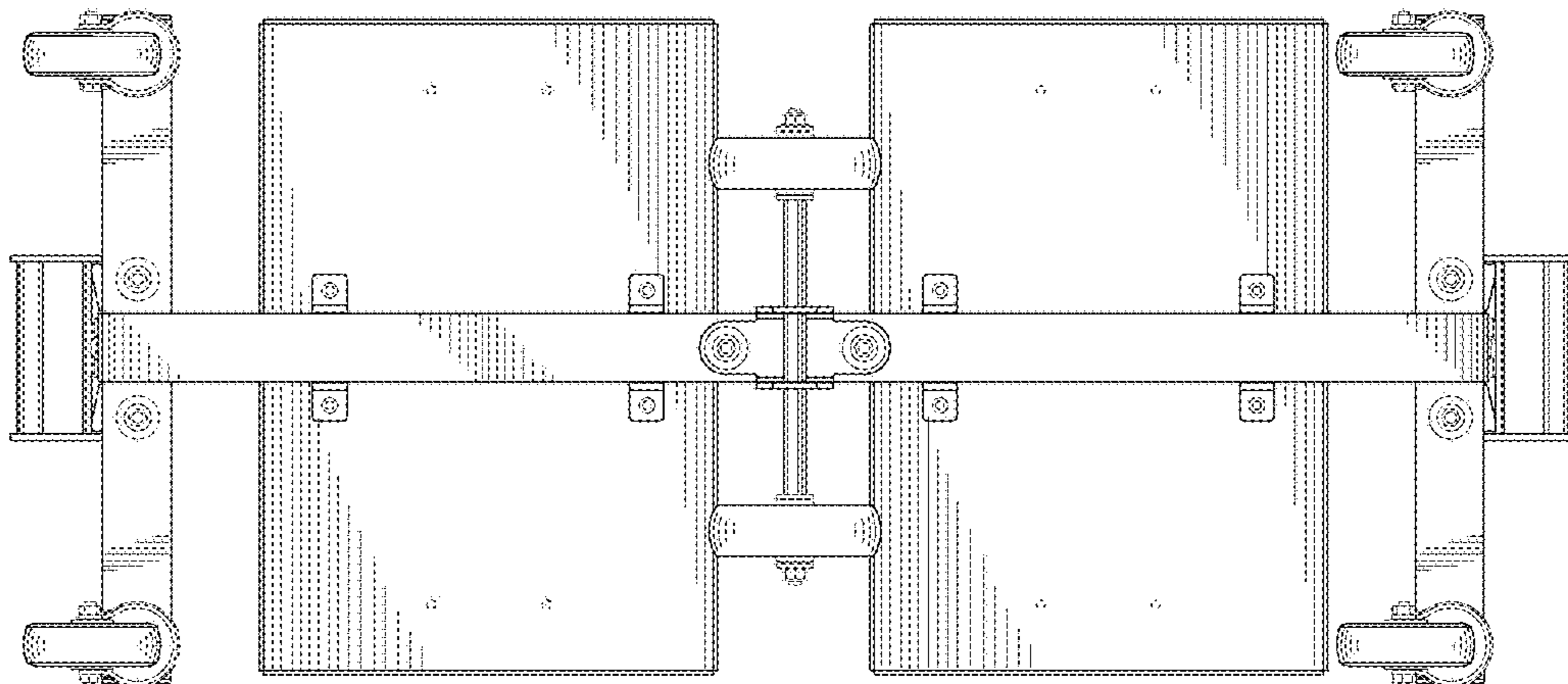


FIG. 5

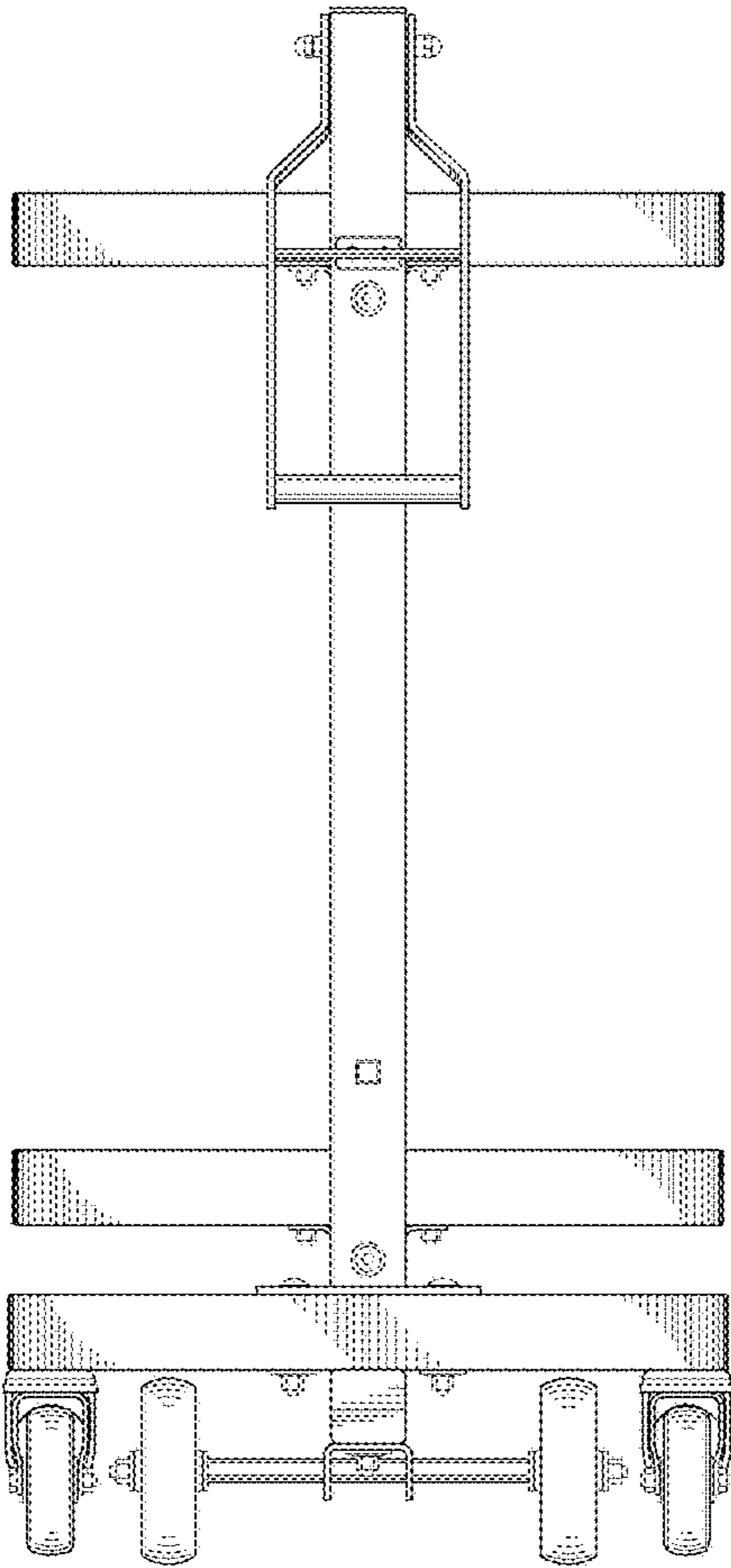


FIG. 6

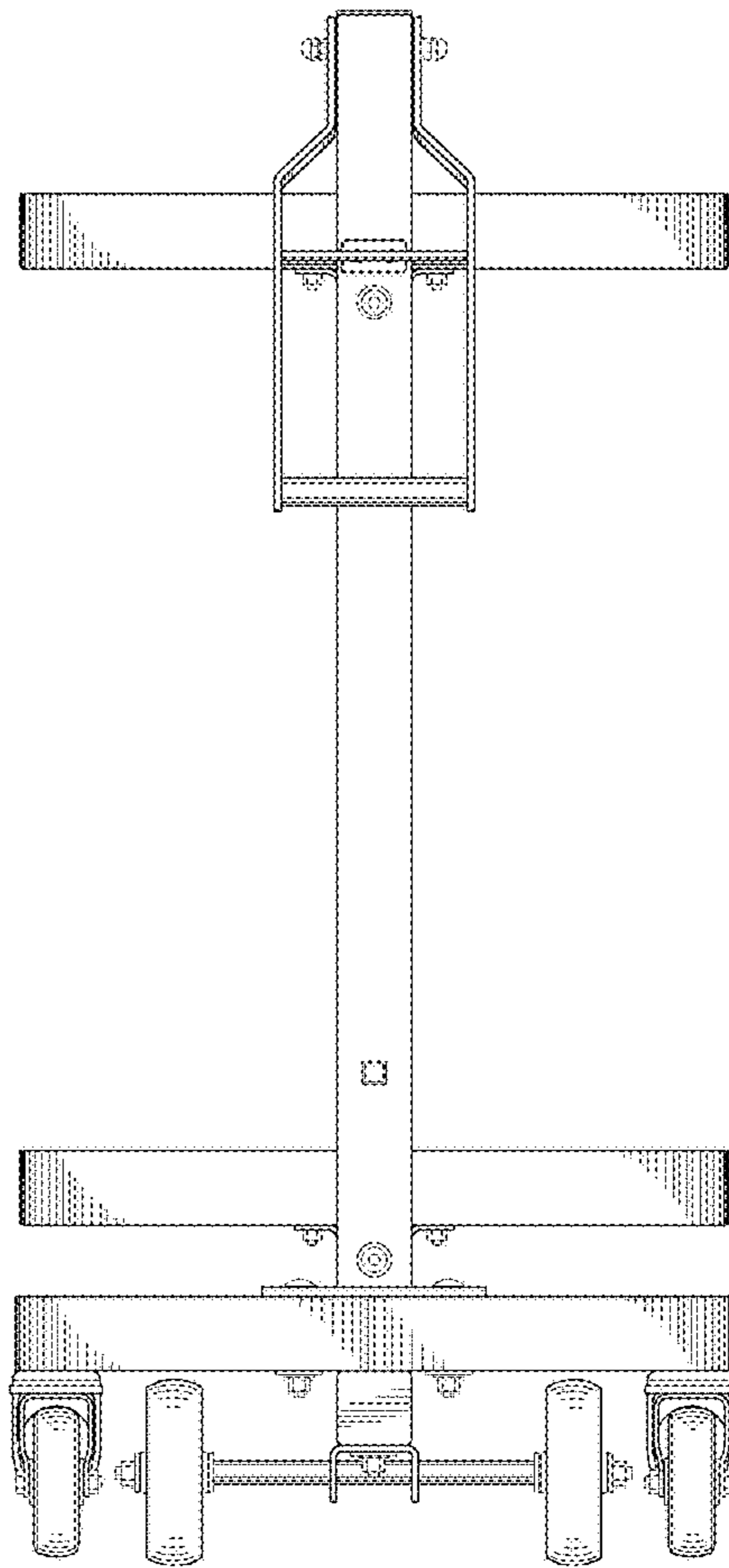


FIG. 7