



US00D866903S

(12) **United States Design Patent**  
**Lundin**

(10) **Patent No.:** **US D866,903 S**

(45) **Date of Patent:** **\*\* Nov. 12, 2019**

(54) **CART**  
(71) Applicant: **SAFE DRIVING 24 AB**, Velling (SE)  
(72) Inventor: **Lars Lundin**, Höllviken (SE)  
(73) Assignee: **SAFE DRIVING 24 AB**, Velling (SE)  
(\*\*) Term: **15 Years**

5,586,778 A \* 12/1996 Lindh ..... B62B 1/047  
D34/15  
D377,254 S \* 1/1997 Cavalliere ..... D12/101  
D395,120 S \* 6/1998 Newman ..... D34/24  
5,772,223 A \* 6/1998 Letourneau ..... A47C 7/006  
280/30  
D401,725 S \* 11/1998 Szumal ..... D34/24  
D412,382 S \* 7/1999 Safranyos ..... D34/15  
D462,494 S \* 9/2002 Patrizi ..... D34/12

(Continued)

(21) Appl. No.: **29/637,813**

FOREIGN PATENT DOCUMENTS

(22) Filed: **Feb. 22, 2018**

EM 002680108-0001 4/2015

(30) **Foreign Application Priority Data**

OTHER PUBLICATIONS

Aug. 31, 2017 (EM) ..... 004173805-0001

(51) **LOC (12) Cl.** ..... **12-02**

(52) **U.S. Cl.**  
USPC ..... **D34/12**

(58) **Field of Classification Search**  
USPC ..... 180/20; 280/33.991, 33.992, 33.995,  
280/33.996, 33.997, 47.35, 79.2, 79.3,  
280/647, 651; D12/129; D34/12, 14, 16,  
D34/17, 19, 20, 21, 23, 24, 25, 27  
CPC ..... B62B 1/12; B62B 1/20; B62B 2206/02;  
B62B 5/06; B62B 5/067

See application file for complete search history.

Denniskirk "Skisaver Flex Orange Snowmobile Ski Wheel Transport Kit", Nov. 1, 2018. <https://www.denniskirk.com/skisaver/flex-orange-snowmobile-ski-wheel-transport-kit-75860.p284778.prd/284778.sku#rev-cont>. Shown on p. 1. (Year: 2018).\*

(Continued)

*Primary Examiner* — Cynthia Ramirez

*Assistant Examiner* — Michael A Maharajh

(74) *Attorney, Agent, or Firm* — Brundidge & Stanger, P.C.

(56) **References Cited**

(57) **CLAIM**

The ornamental design for a cart, as shown and described.

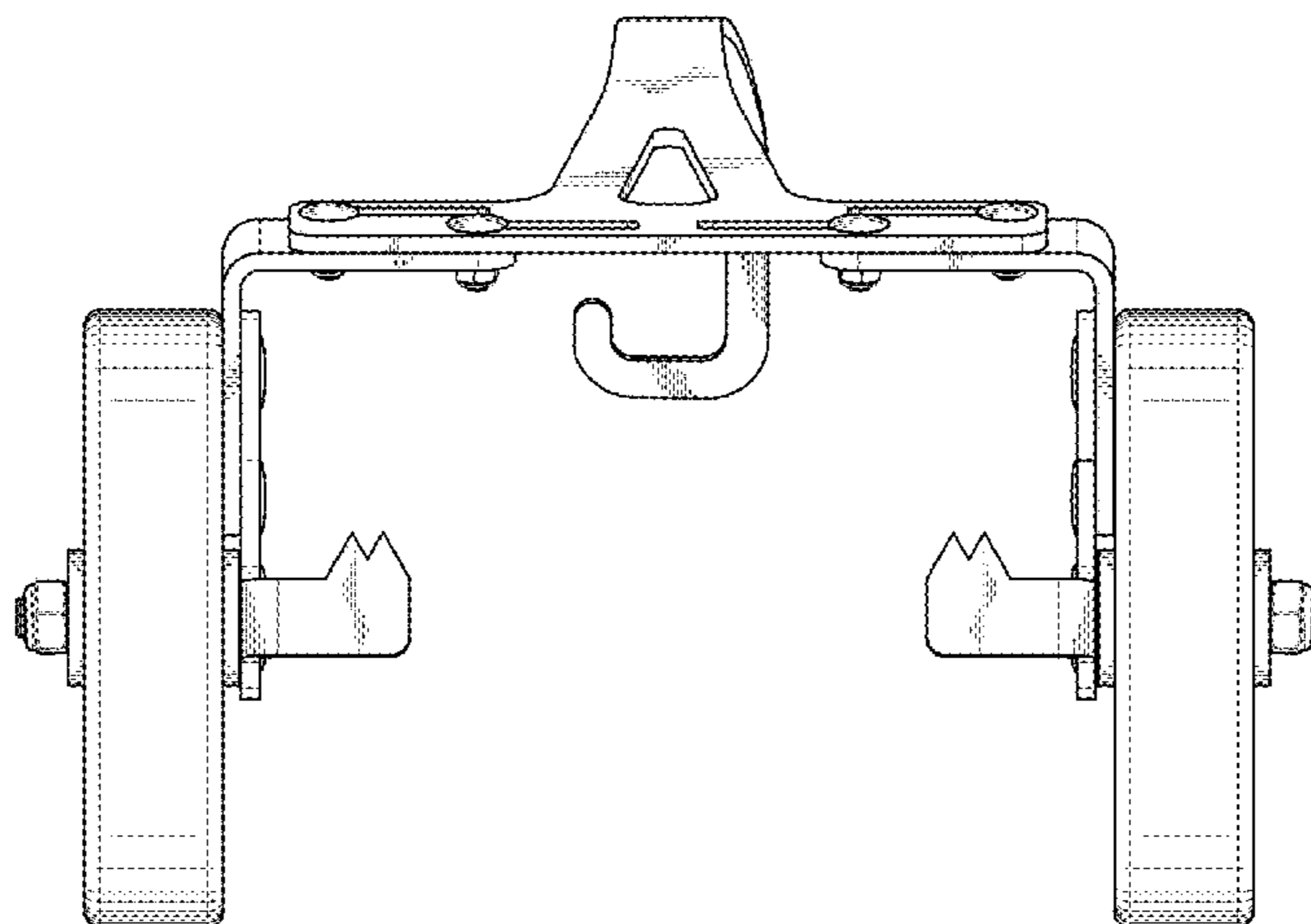
U.S. PATENT DOCUMENTS

**DESCRIPTION**

D281,365 S \* 11/1985 Gugler ..... D34/24  
4,602,802 A \* 7/1986 Morgan ..... B63B 35/7946  
280/47.331  
D310,746 S \* 9/1990 Berfield ..... D34/12  
D342,361 S \* 12/1993 Williams ..... D34/24  
D350,878 S \* 9/1994 Hoekstra ..... D34/25  
5,354,089 A \* 10/1994 Sohr ..... B62B 1/20  
D34/24  
D358,919 S \* 5/1995 Carmen ..... D34/12  
D358,921 S \* 5/1995 Abbema ..... D34/24  
D362,326 S \* 9/1995 Stout ..... D34/18

FIG. 1 is a rear view of a cart, showing my new design;  
FIG. 2 is a bottom view thereof;  
FIG. 3 is a front view thereof;  
FIG. 4 is a right side view thereof;  
FIG. 5 is a top view thereof;  
FIG. 6 is a left rear perspective view thereof;  
FIG. 7 is a right front perspective view thereof; and,  
FIG. 8 is a left side view thereof.

**1 Claim, 5 Drawing Sheets**



(56)

**References Cited**

U.S. PATENT DOCUMENTS

D465,897	S *	11/2002	Smith	.....	D34/23
D490,955	S *	6/2004	Halsall	.....	D34/12
7,021,884	B1 *	4/2006	Altman	.....	B62D 43/002
					D34/24
D523,206	S *	6/2006	Burks	.....	D34/24
D535,076	S *	1/2007	Simard	.....	D34/24
D550,921	S *	9/2007	McMorris	.....	D34/23
D624,725	S *	9/2010	Turnell	.....	D34/24
D698,115	S *	1/2014	Plesh	.....	D34/24
8,651,501	B1 *	2/2014	Davis	.....	B62B 5/0086
					D34/23
D720,912	S *	1/2015	Bruch	.....	D34/23
8,950,760	B1 *	2/2015	Davis	.....	B62B 3/02
					280/79.11
D762,937	S *	8/2016	Leban	.....	D34/27
9,415,787	B2 *	8/2016	Mericle	.....	B62B 3/02
9,636,557	B1 *	5/2017	Frank	.....	A63B 55/30
D802,866	S *	11/2017	Williams	.....	D34/24
D819,919	S *	6/2018	Mitchell	.....	D34/27
D821,054	S *	6/2018	Mitchell	.....	D34/27
D846,826	S *	4/2019	Markoski	.....	D34/27
10,315,675	B2 *	6/2019	Finas	.....	B62B 1/18
10,337,246	B1 *	7/2019	Wise	.....	E06C 1/397
10,351,156	B1 *	7/2019	Pilgrim	.....	B62B 5/0083

OTHER PUBLICATIONS

“Skisaver” Owner’s Manual, Appendix 3, 2015, Mora Contract Manufacturing AB, 8 pages.

Decision issued by European Authority EUIPO for Mora Contract Manufacturing AB against Safe Driving 24 AB on May 30, 2019, 12 pages.

\* cited by examiner

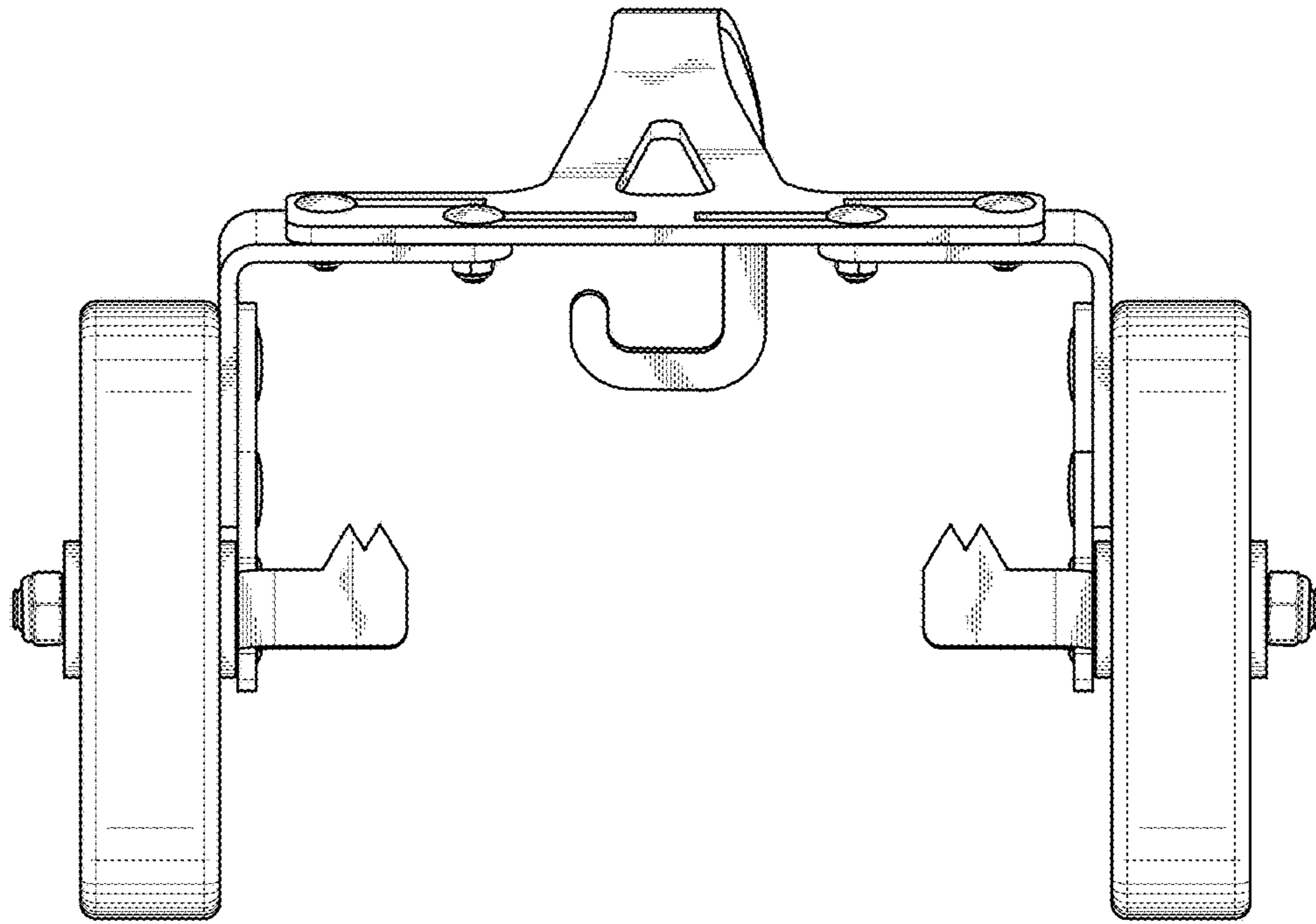


FIG. 1

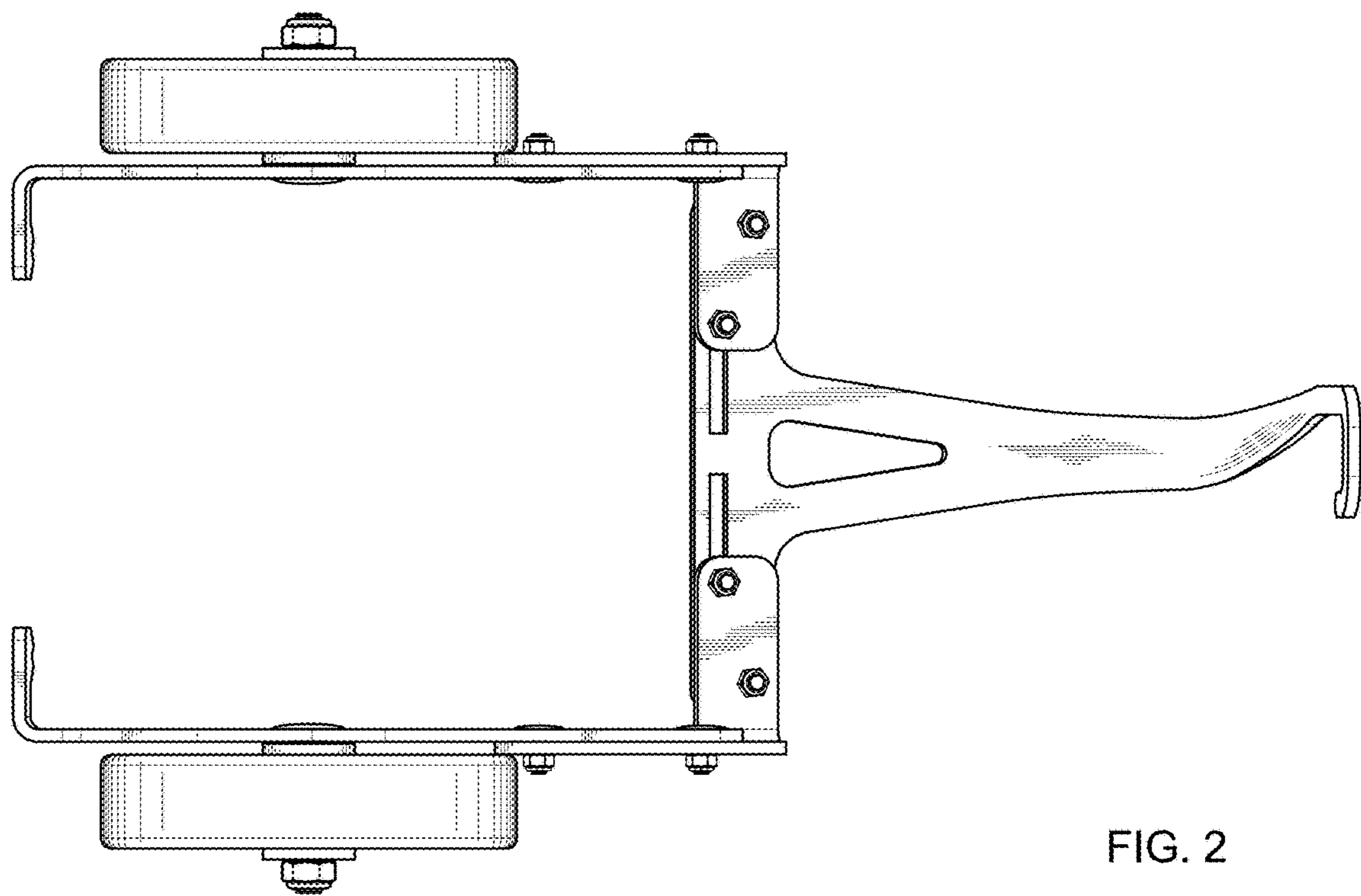


FIG. 2

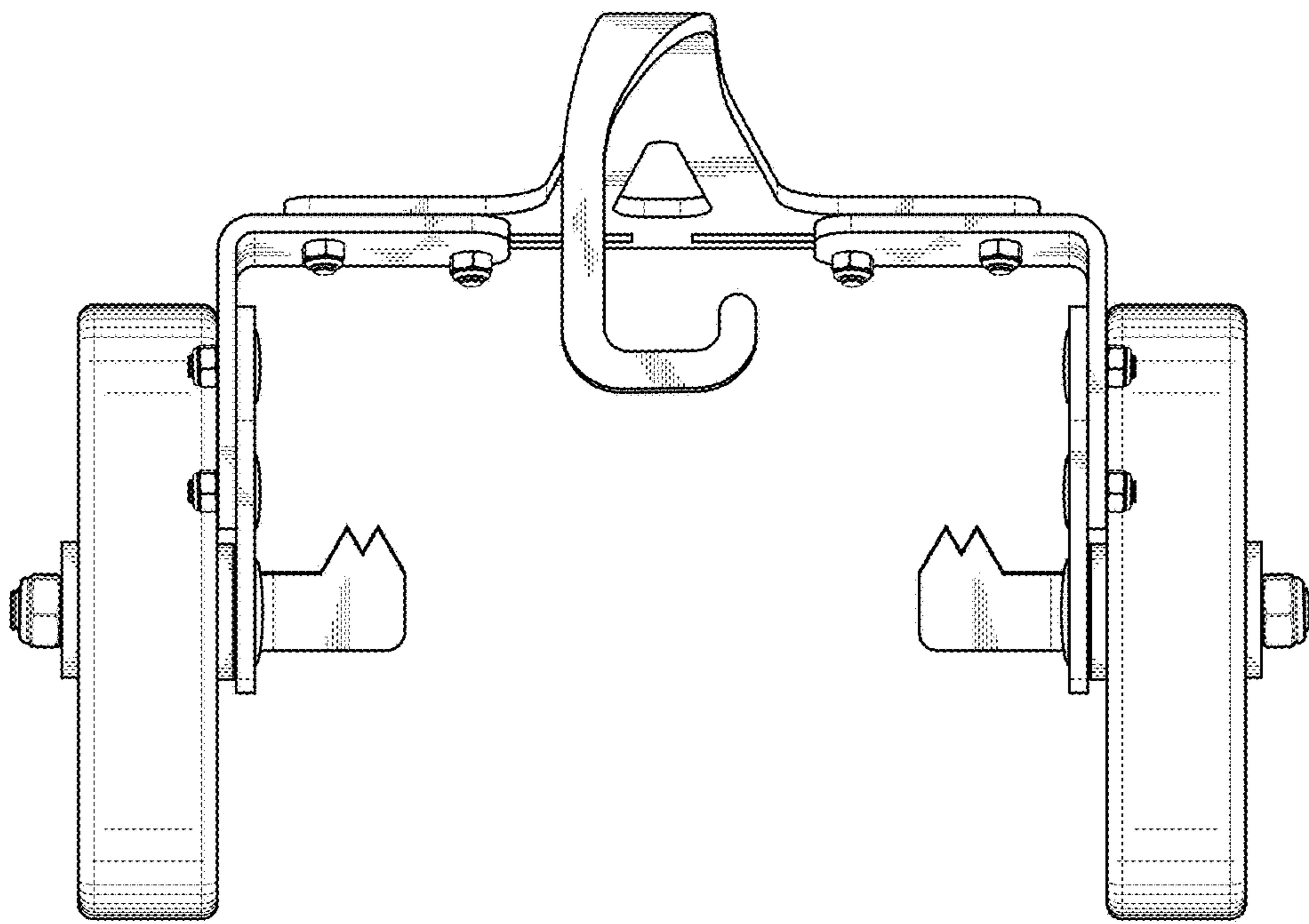


FIG. 3

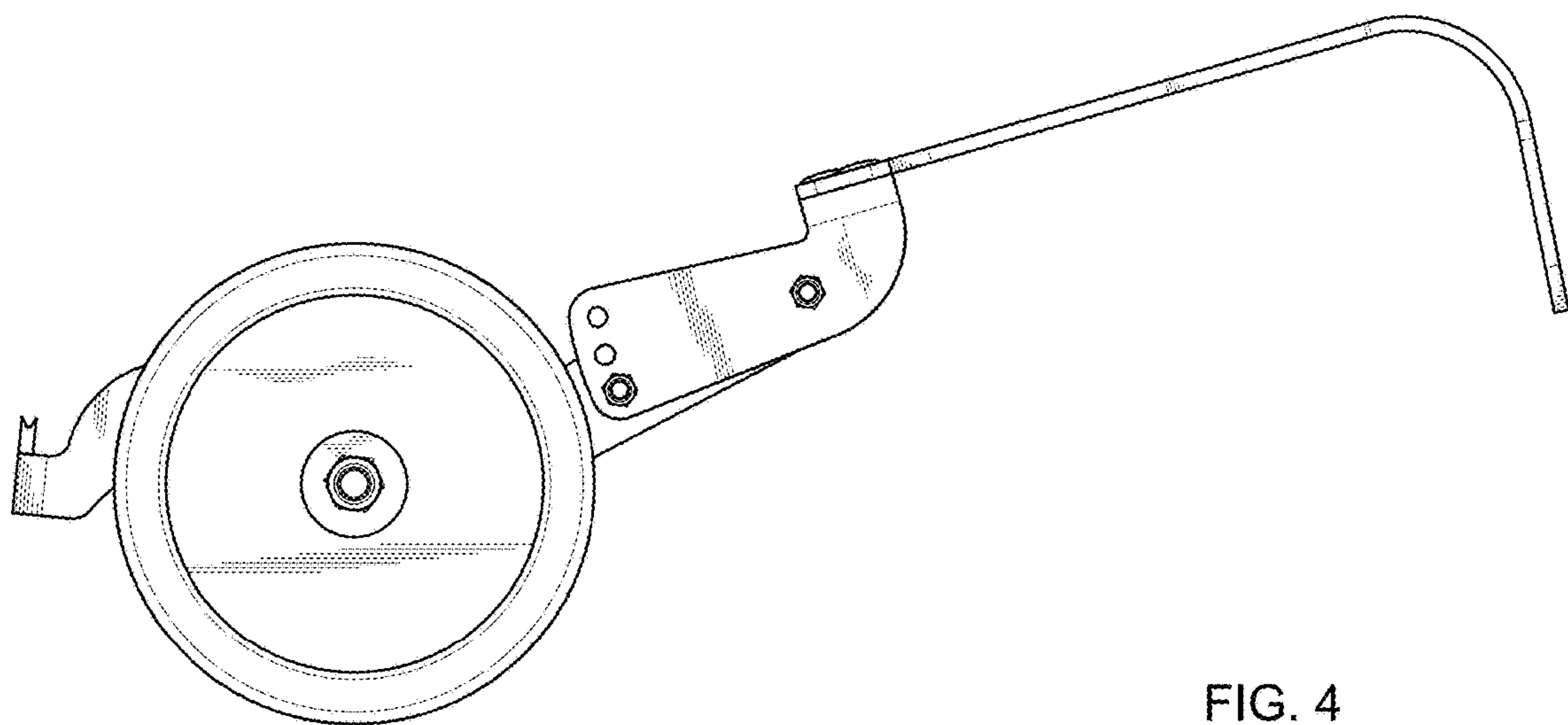


FIG. 4

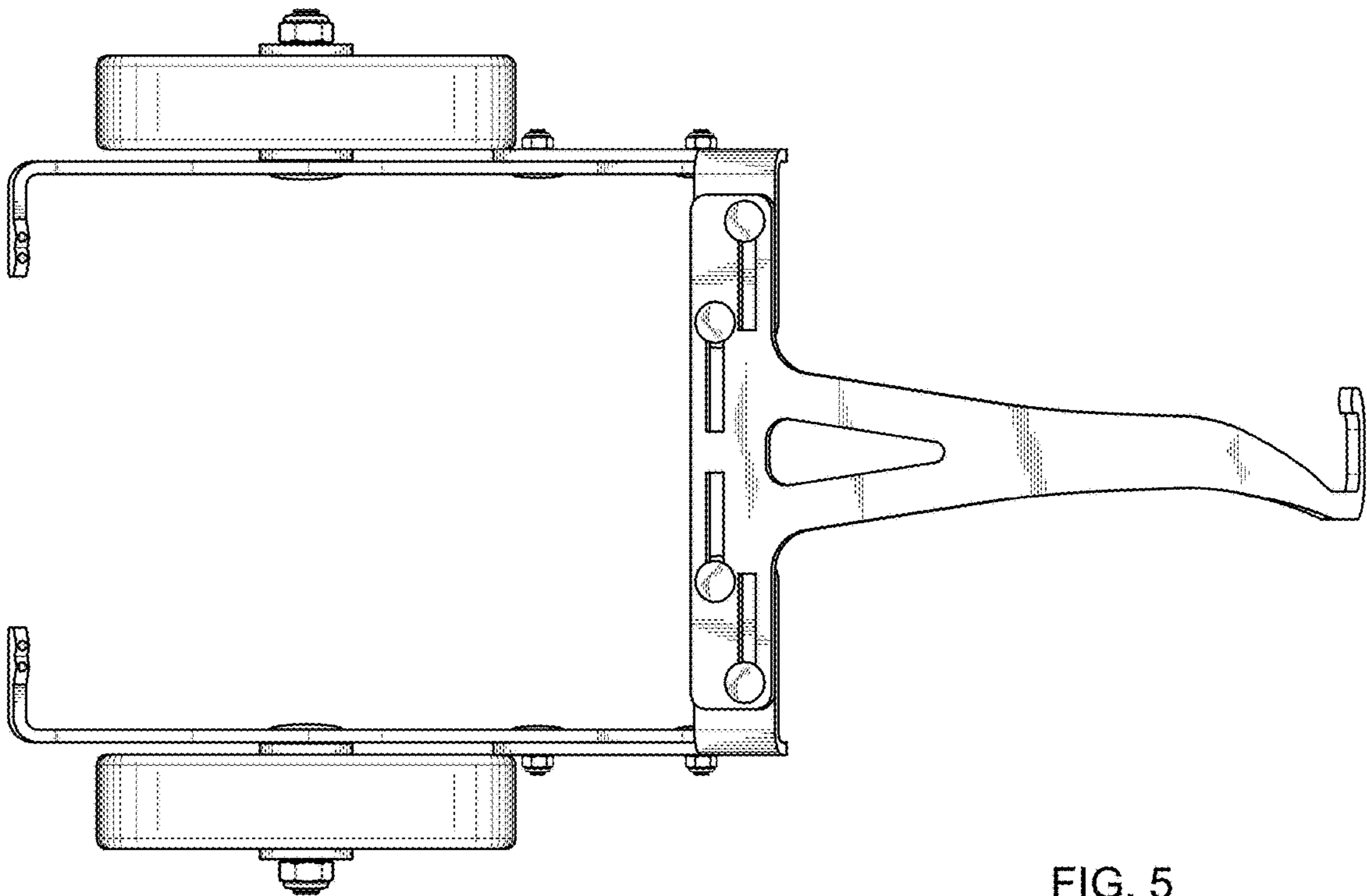


FIG. 5

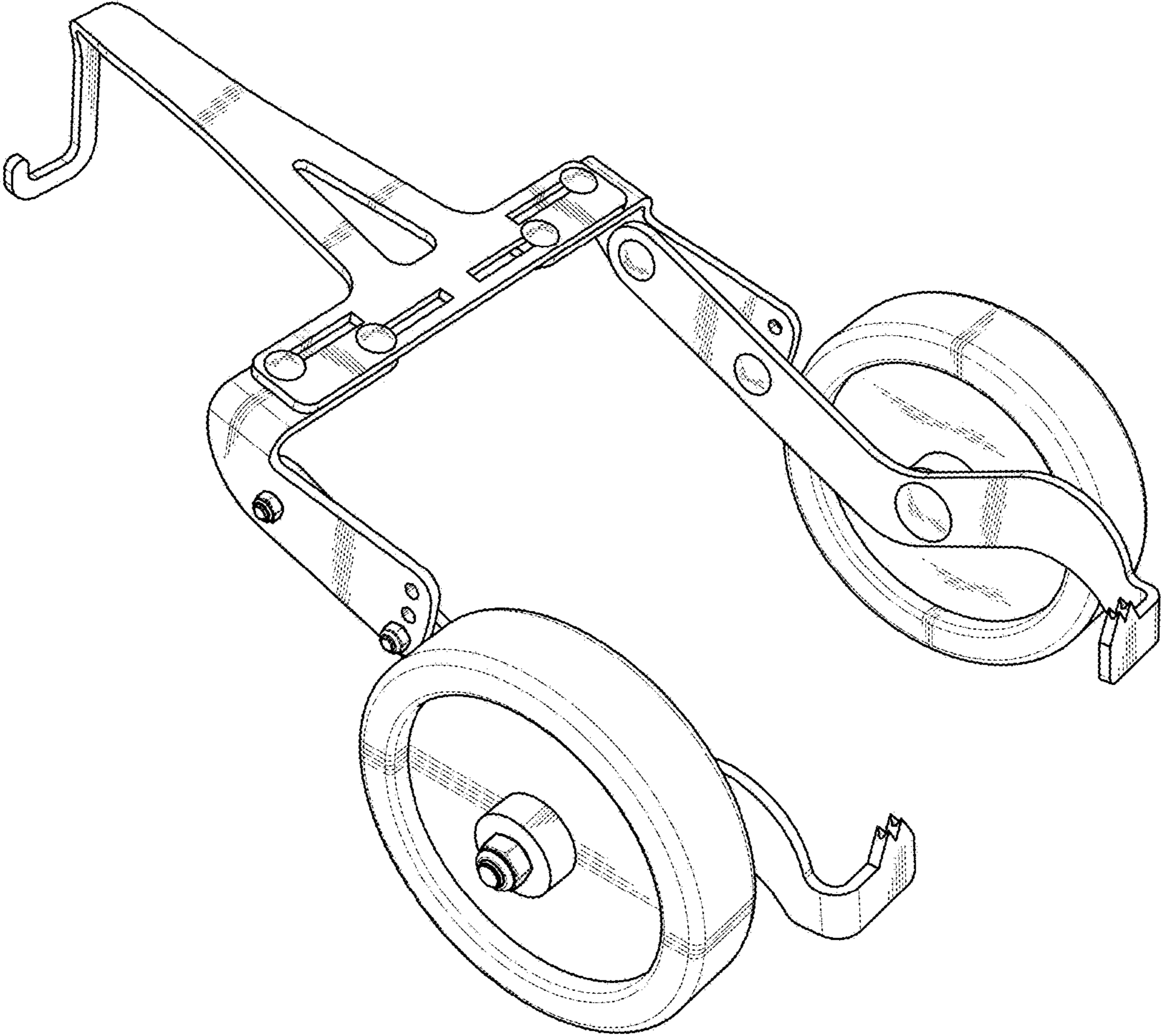


FIG. 6

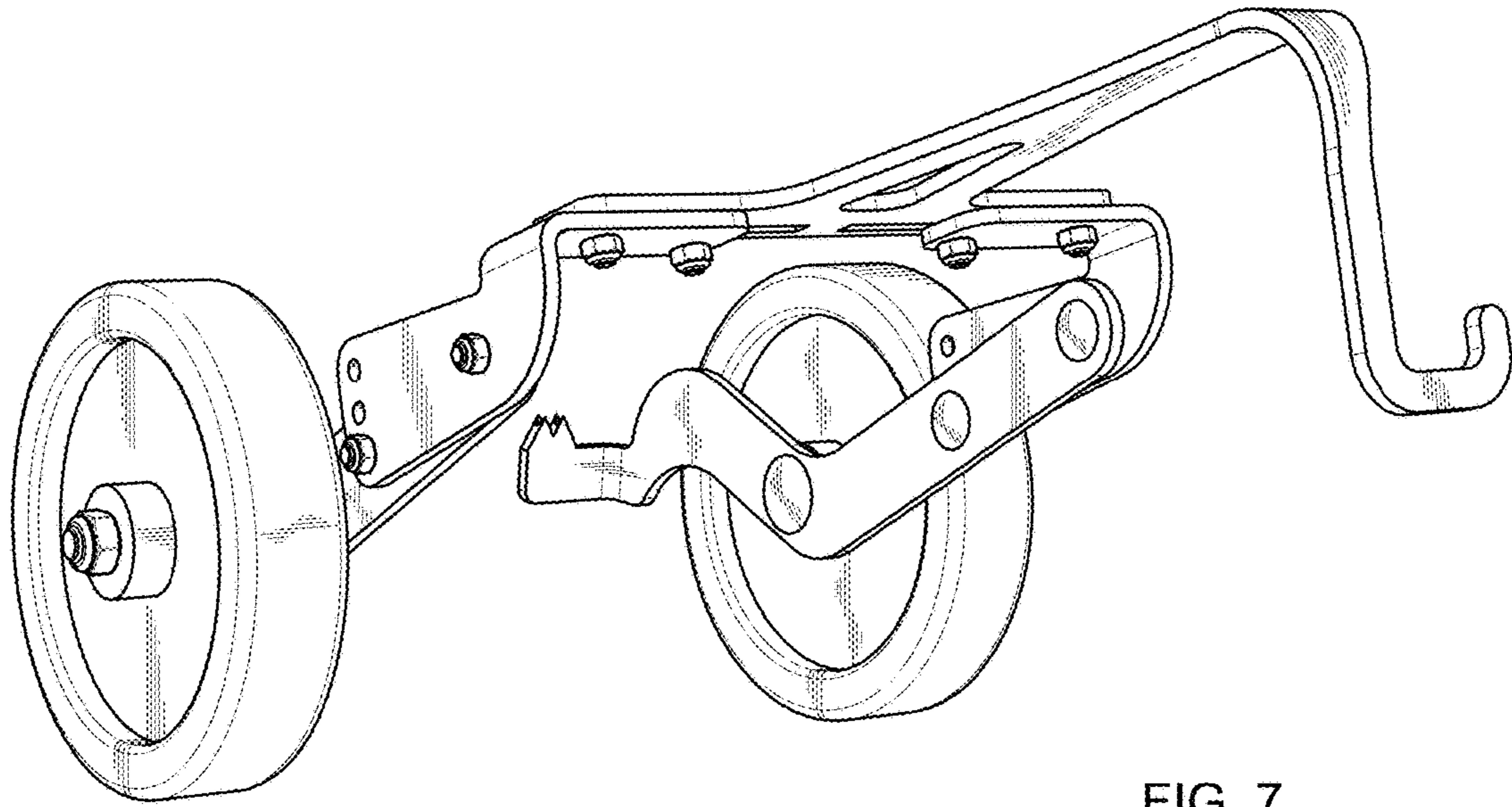


FIG. 7

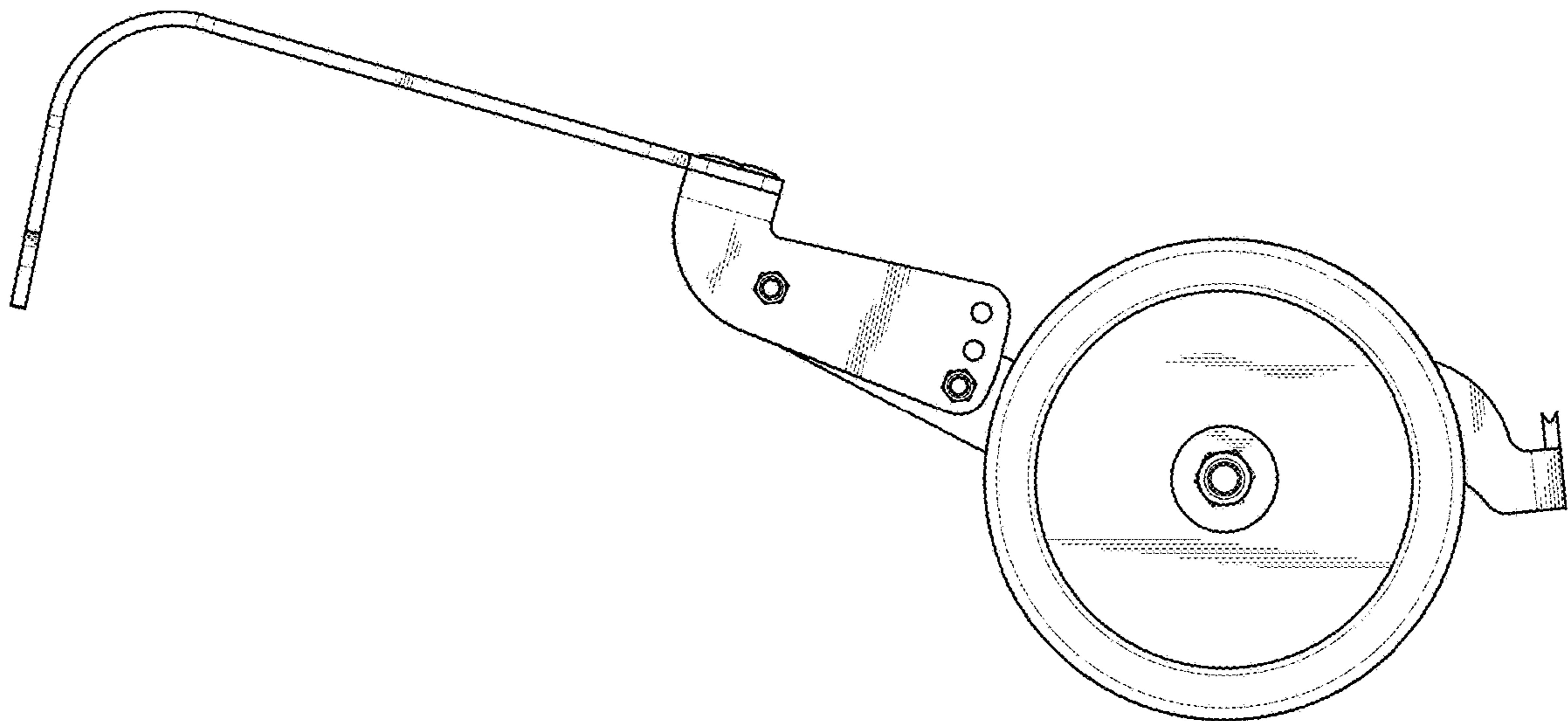


FIG. 8