



US00D866901S

(12) **United States Design Patent**
Weldon

(10) **Patent No.:** **US D866,901 S**

(45) **Date of Patent:** **** Nov. 12, 2019**

(54) **BAG HOLDER**

8,740,274 B1 * 6/2014 Dugas B65B 67/1233
294/214

(71) Applicant: **Peter Marvin Weldon**, Bartow, FL
(US)

D728,184 S * 4/2015 Hoggatt D34/6
D799,834 S * 10/2017 Regenscheid D3/328

(72) Inventor: **Peter Marvin Weldon**, Bartow, FL
(US)

* cited by examiner

(**) Term: **15 Years**

Primary Examiner — Cynthia Ramirez
(74) *Attorney, Agent, or Firm* — Cygnet IP Law, P.A.;
Stephen W. Aycock, II

(21) Appl. No.: **29/595,153**

(57) **CLAIM**

(22) Filed: **Feb. 25, 2017**

The ornamental design for a bag holder, as shown and described.

(51) **LOC (12) Cl.** **09-09**

(52) **U.S. Cl.**
USPC **D34/5**

DESCRIPTION

(58) **Field of Classification Search**
USPC D34/5, 6, 10, 11; D6/515; 248/97, 95,
248/100
CPC B65D 33/25; B65F 1/0006; B65F 1/062;
B65F 1/1415; B65F 1/06; B65F 1/068;
B65F 1/163; B65B 67/1233
See application file for complete search history.

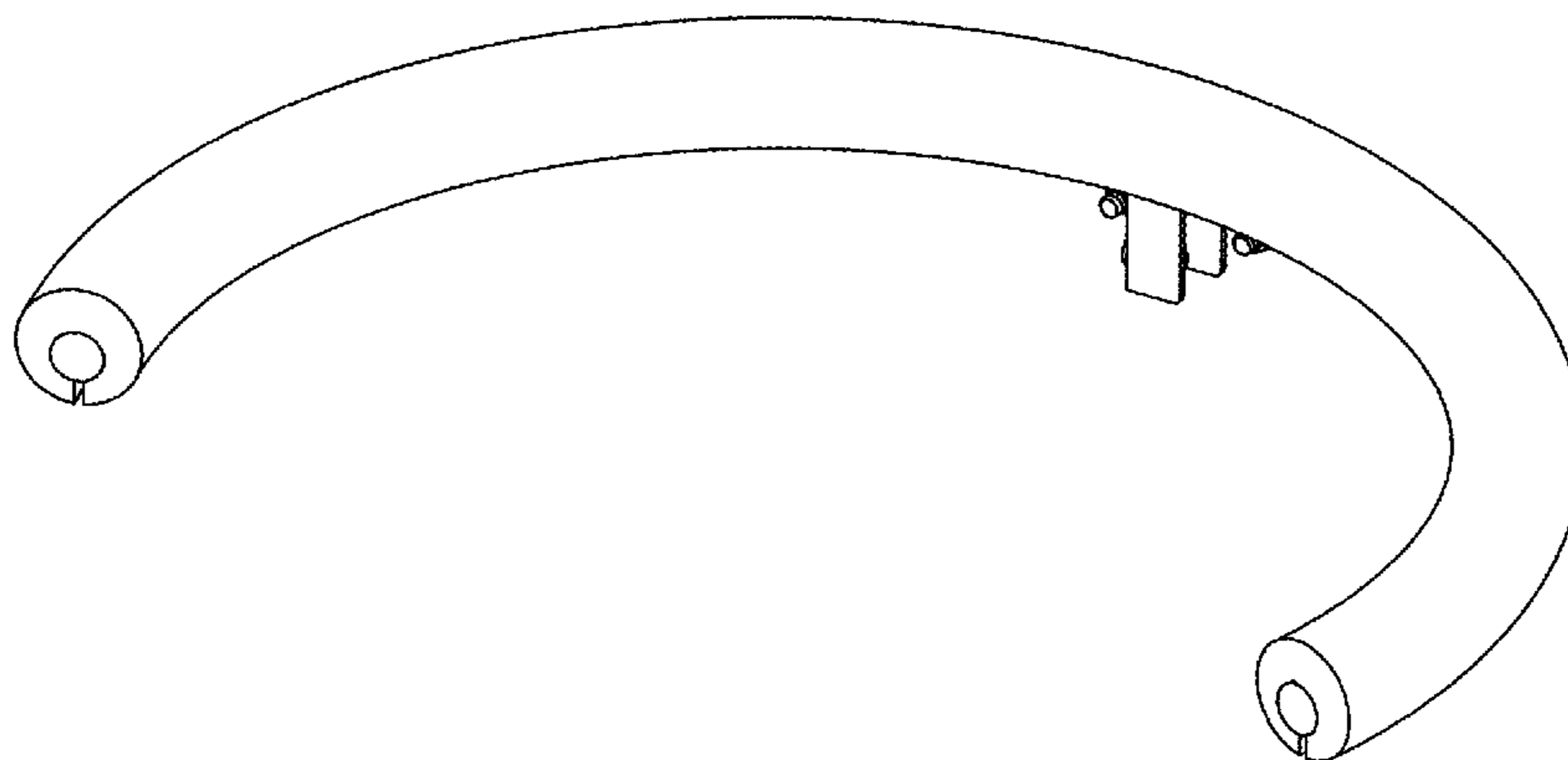
FIG. 1 is a front perspective view of a bag holder showing the first embodiment of my new design;
FIG. 2 is a right side elevation view thereof;
FIG. 3 is a bottom plan view thereof;
FIG. 4 is a top plan view thereof;
FIG. 5 is a rear perspective view thereof;
FIG. 6 is a detailed enlarged view thereof, taken from FIG. 5;
FIG. 7 is a right side view thereof, with the peg removed;
FIG. 8 is a right side view thereof, in an alternate position;
FIG. 9 is a rear perspective view of a bag holder showing a second embodiment;
FIG. 10 is a detailed enlarged view thereof, taken from FIG. 9;
FIG. 11 is a right side elevation view thereof; and,
FIG. 12 is a right side view thereof, in an alternate position.

(56) **References Cited**

U.S. PATENT DOCUMENTS

D345,838 S * 4/1994 Bunn D34/6
D420,480 S * 2/2000 Necaise D34/6
D460,903 S * 7/2002 Peplowski D8/1
D568,023 S * 4/2008 McConnell B65F 1/1415
D34/6
7,789,441 B1 * 9/2010 Conway E01H 1/1206
294/1.3

1 Claim, 9 Drawing Sheets



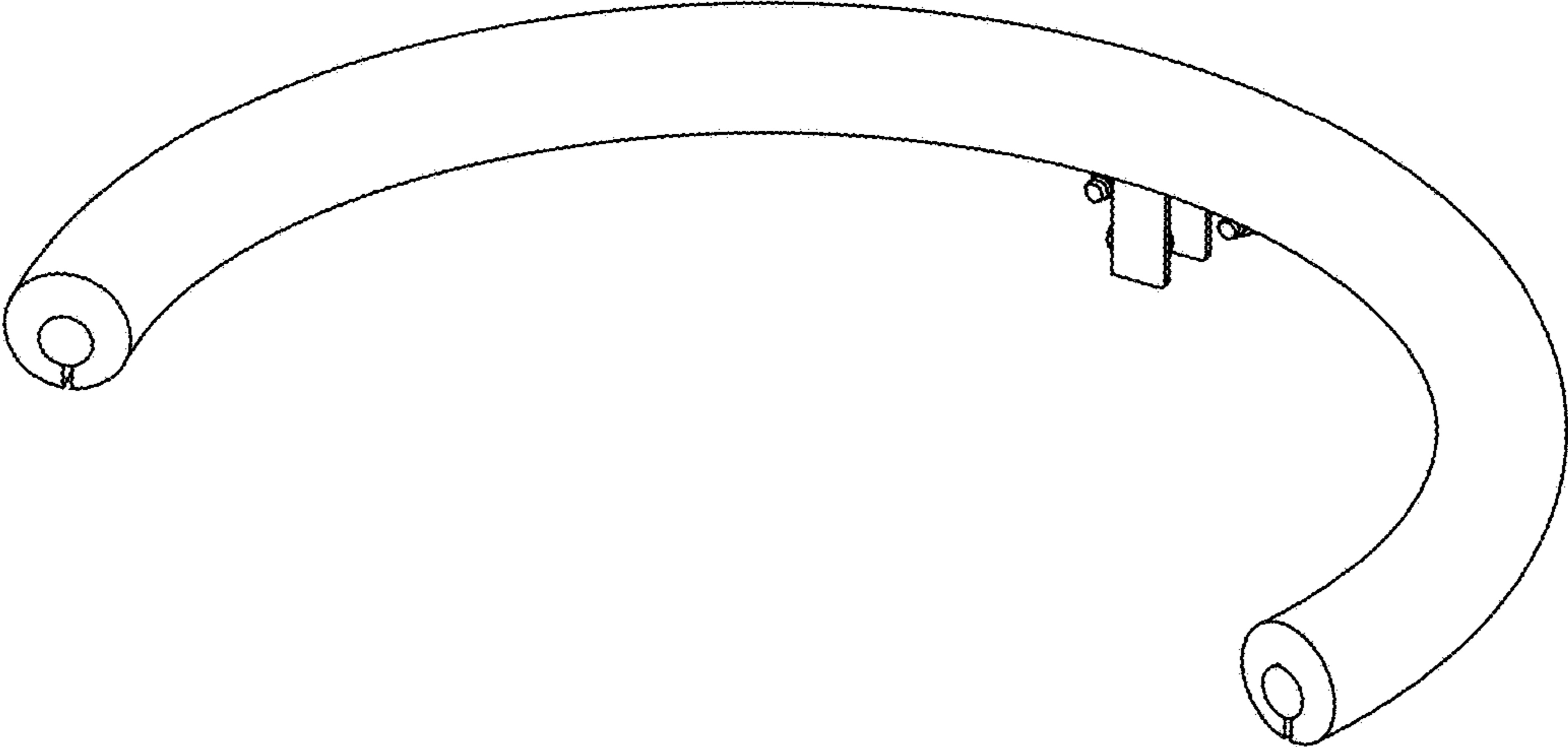


Fig. 1

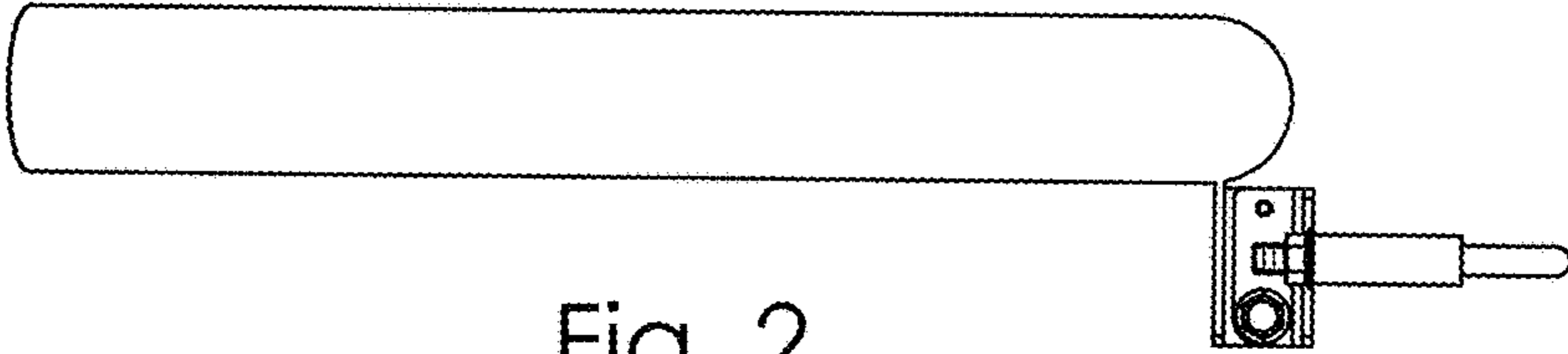


Fig. 2

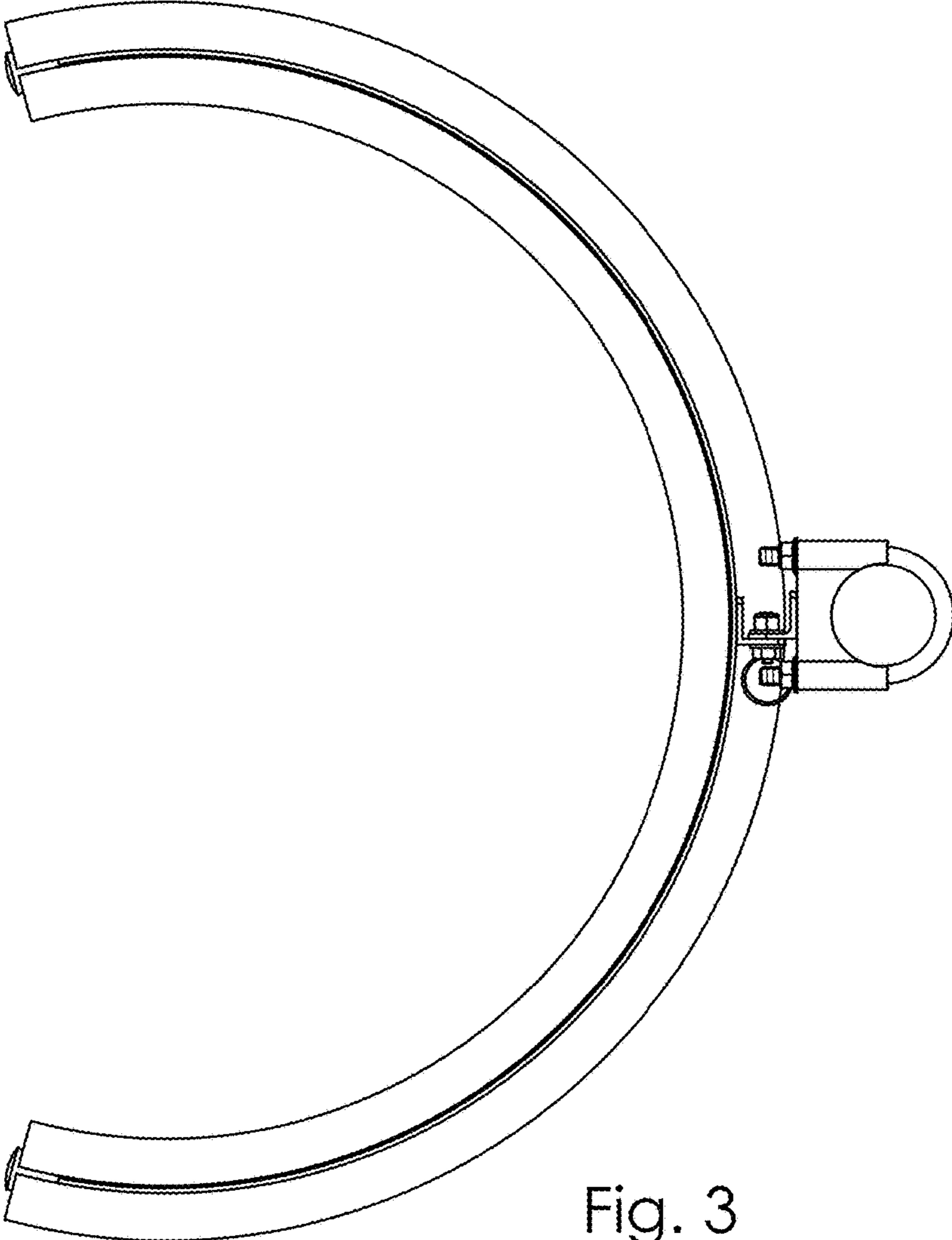


Fig. 3

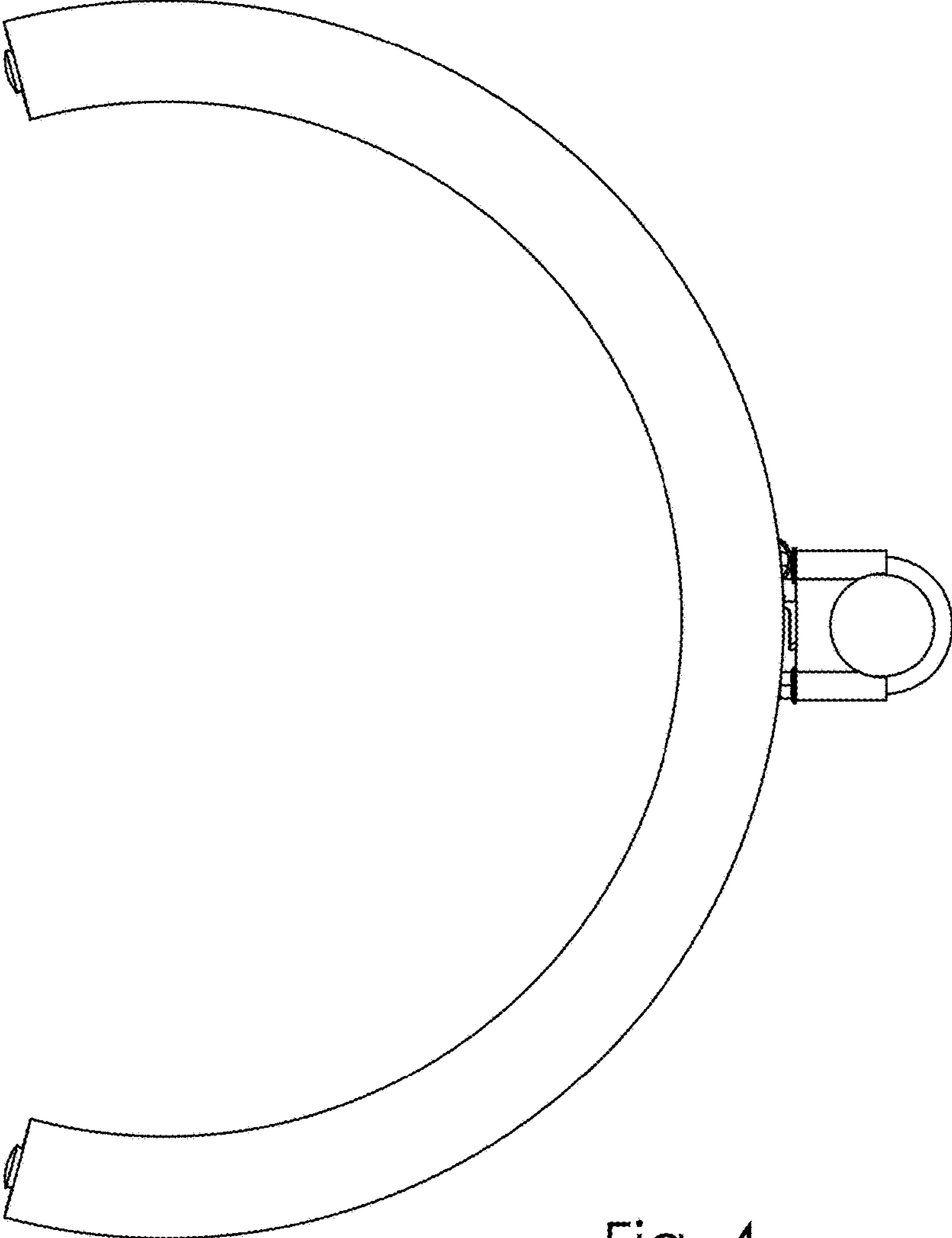
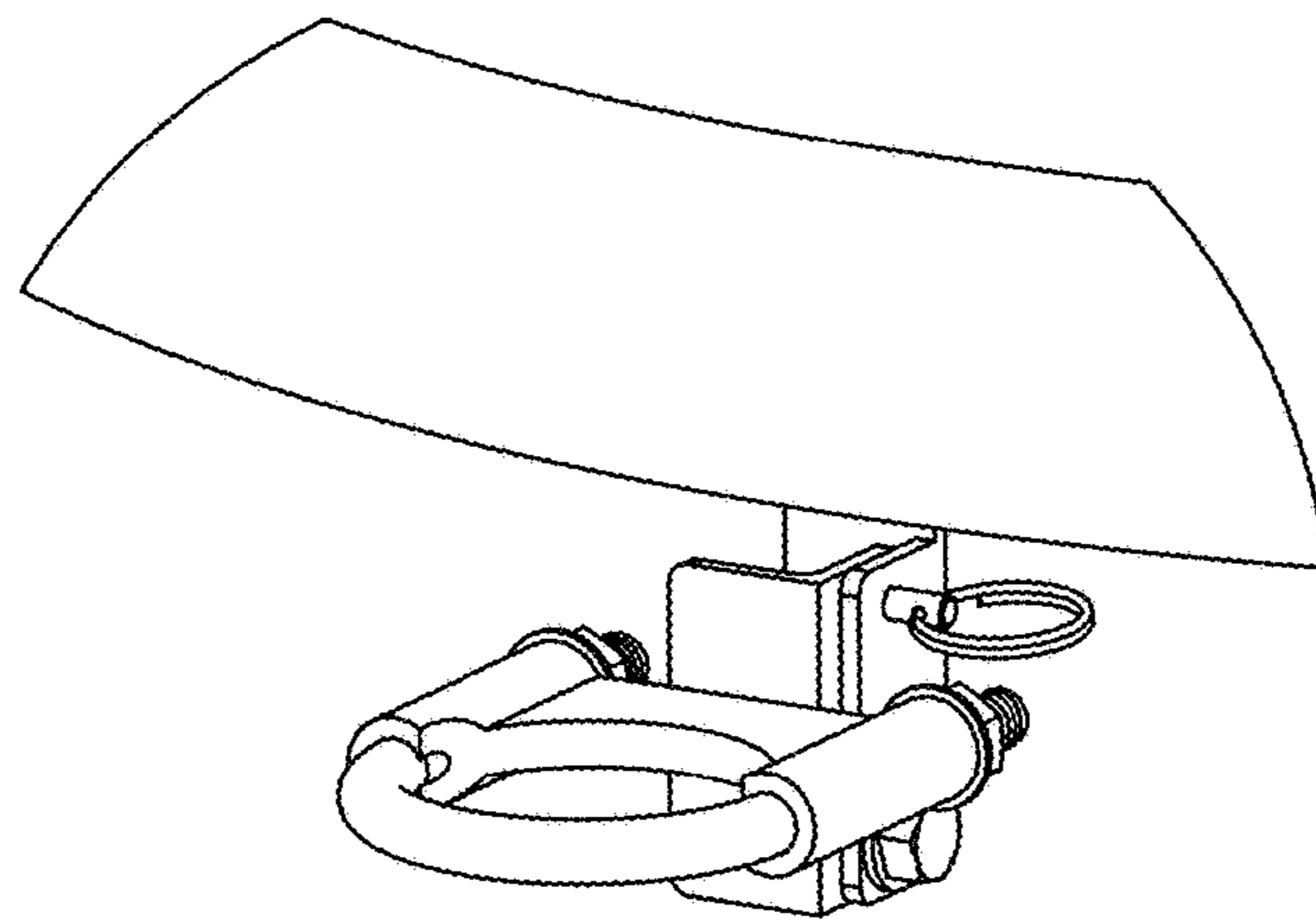
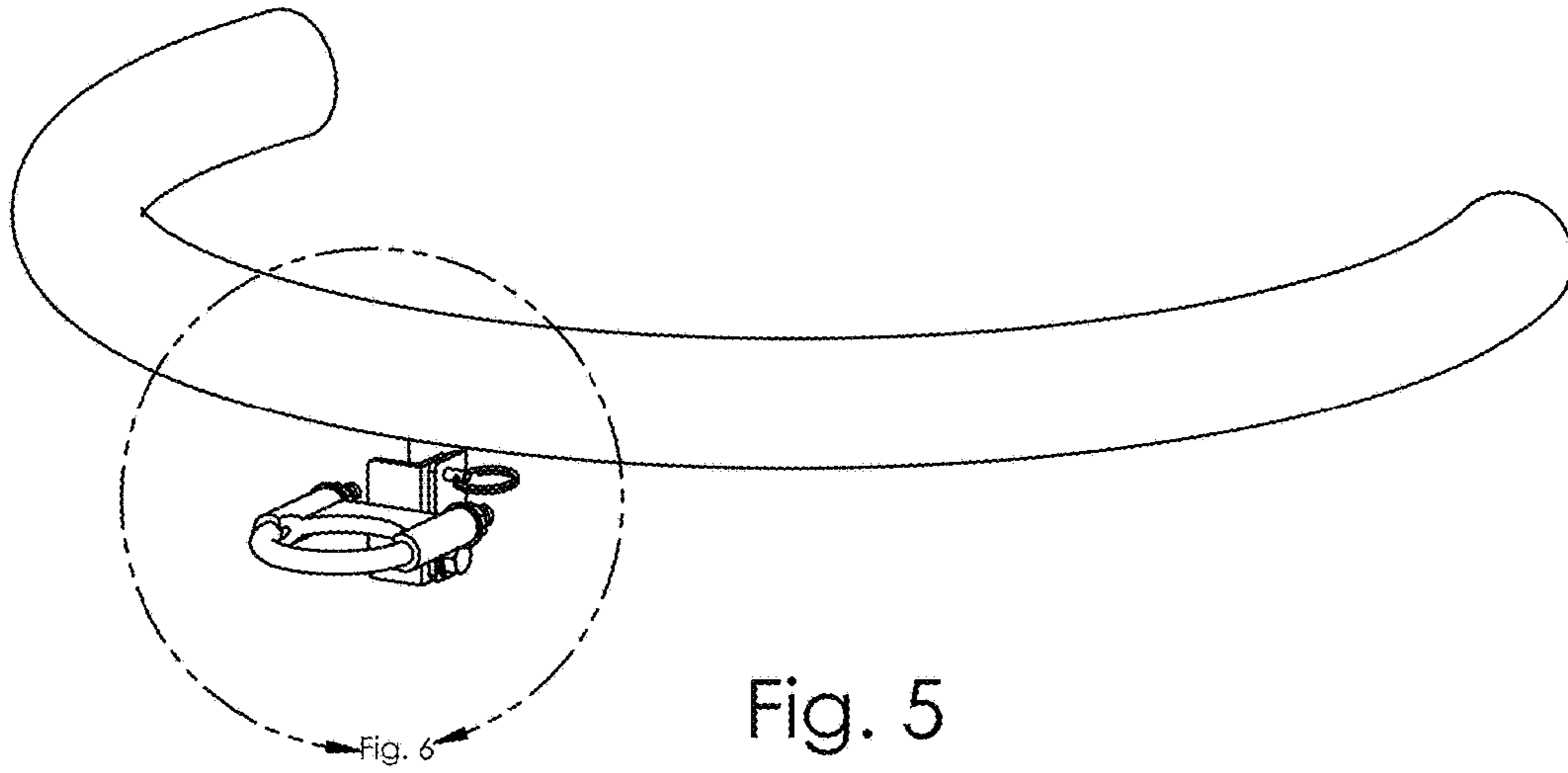


Fig. 4



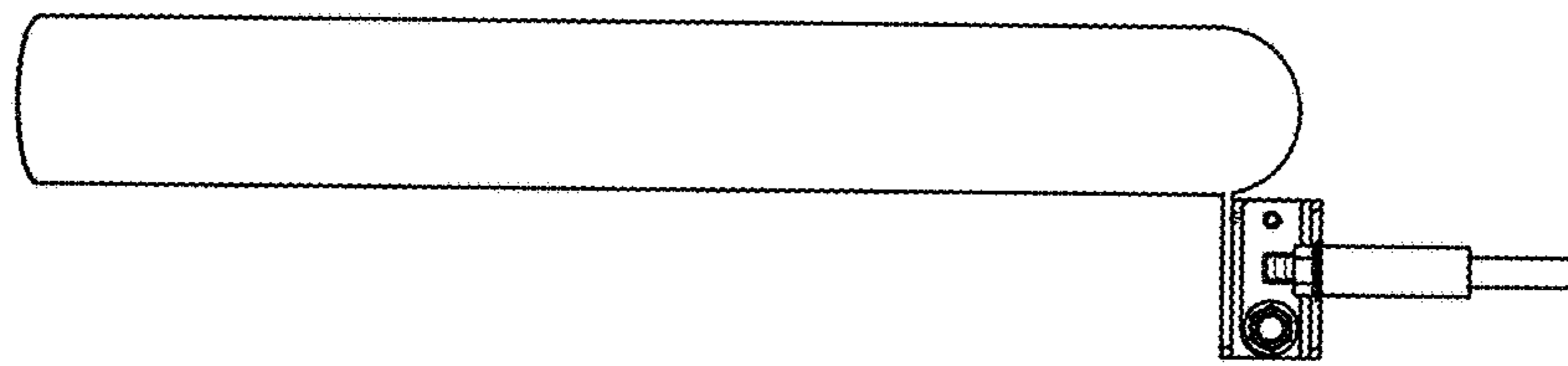


Fig. 7

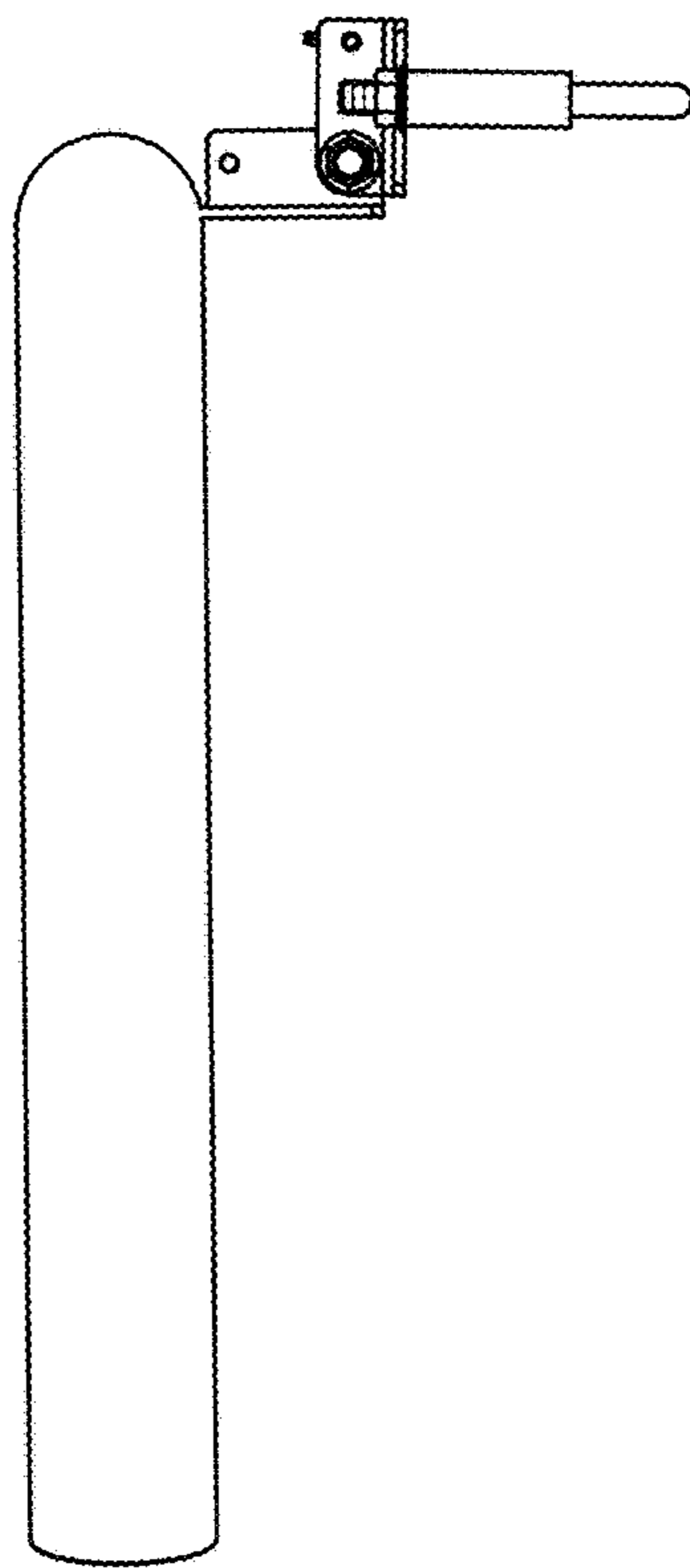


Fig. 8

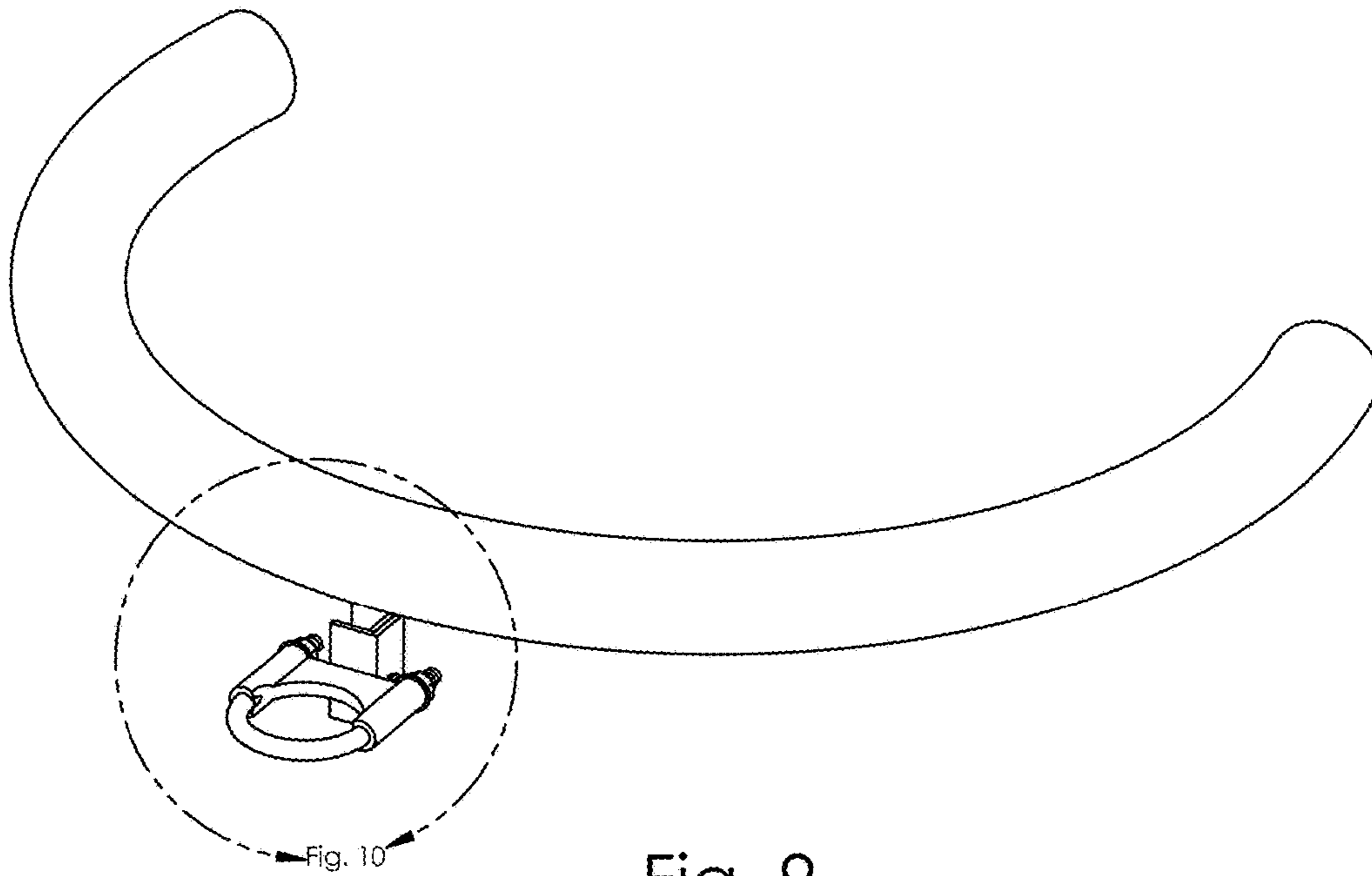


Fig. 9

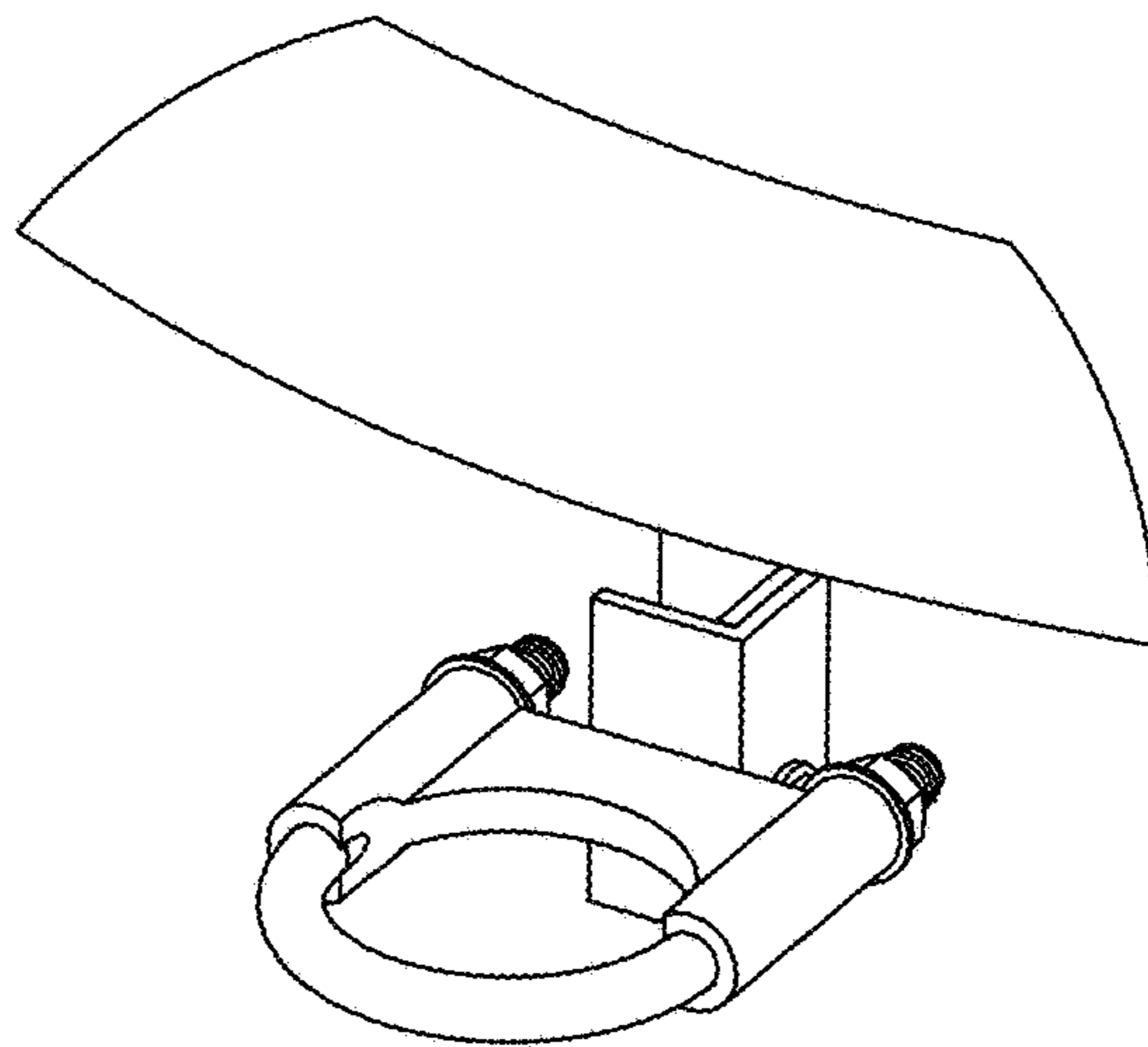


Fig. 10

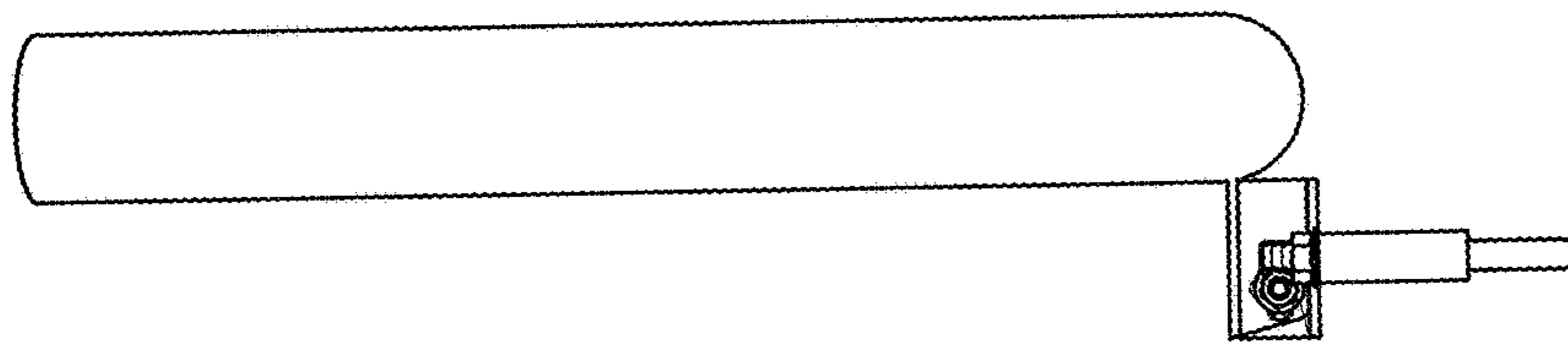


Fig. 11

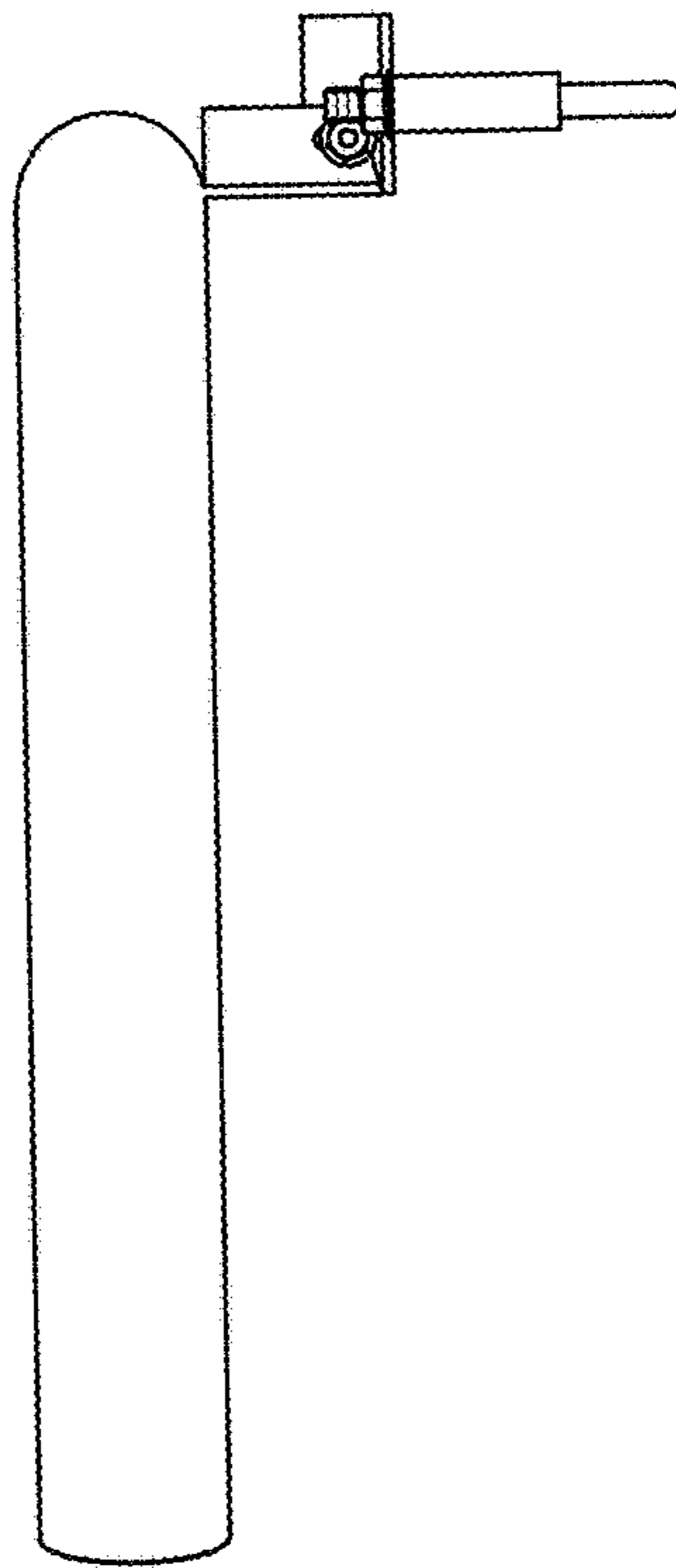


Fig. 12