



US00D866898S

(12) **United States Design Patent** (10) **Patent No.:** **US D866,898 S**  
**Tao et al.** (45) **Date of Patent:** **\*\* Nov. 12, 2019**

(54) **ELECTRIC MOP**

(71) Applicant: **Shenzhen FCY Technologies Co., Ltd.**, Shenzhen (CN)

(72) Inventors: **Zhiming Tao**, Shenzhen (CN); **Zhenyu Wu**, Shenzhen (CN); **Xiaomao Chen**, Shenzhen (CN)

(73) Assignee: **SHENZHEN FCY TECHNOLOGIES CO., LTD.**, Shenzhen (CN)

(\*\*) Term: **15 Years**

(21) Appl. No.: **29/643,532**

(22) Filed: **Apr. 10, 2018**

(51) **LOC (12) Cl.** ..... **07-05**

(52) **U.S. Cl.**  
USPC ..... **D32/50**

(58) **Field of Classification Search**  
USPC ..... D32/38, 40-46, 50-53  
CPC ..... A47L 7/00; A47L 13/22  
See application file for complete search history.

(56) **References Cited**

U.S. PATENT DOCUMENTS

D631,217 S *	1/2011	Lavy .....	D32/45
8,152,400 B2 *	4/2012	LaFlamme .....	A47L 13/22 401/187
D750,856 S *	3/2016	De Smedt .....	D32/20
D779,144 S *	2/2017	Layevsky .....	D32/50
D795,518 S *	8/2017	Chung .....	D32/45

D829,398 S *	9/2018	Niedzwecki .....	D32/50
D833,097 S *	11/2018	Niedzwecki .....	D32/50
D833,098 S *	11/2018	Niedzwecki .....	D32/50
D838,420 S *	1/2019	Khubani .....	D32/38
D840,623 S *	2/2019	Wang .....	D32/50
D855,271 S *	7/2019	Liang .....	D32/50
2004/0031506 A1 *	2/2004	Tsai	
2018/0235425 A1 *	8/2018	Ding .....	A47L 11/283

\* cited by examiner

*Primary Examiner* — Michelle E. Wilson

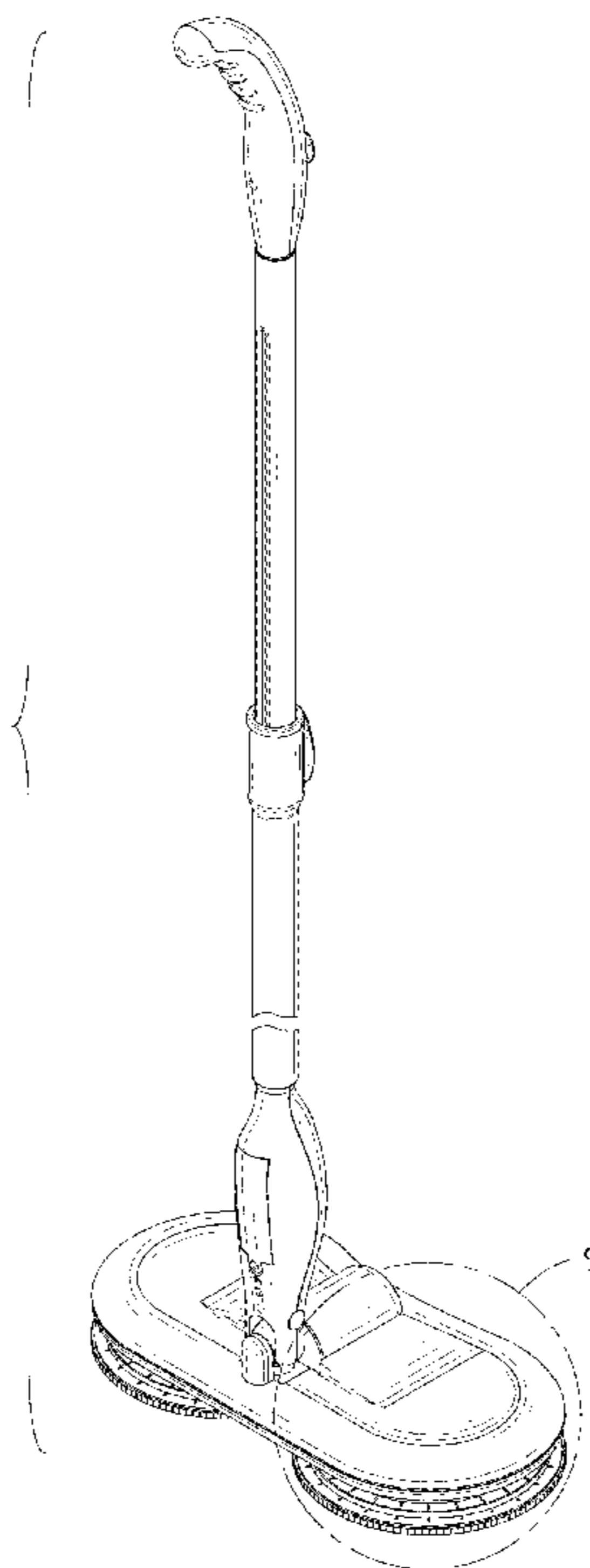
(57) **CLAIM**

The ornamental design for an electric mop, as shown and described.

**DESCRIPTION**

FIG. 1 is a perspective view of the electric mop showing my new design;  
 FIG. 2 is similar to FIG. 1, but viewed from another aspect;  
 FIG. 3 is a front elevational view thereof;  
 FIG. 4 is a rear devotional view thereof;  
 FIG. 5 is a left side elevational view thereof;  
 FIG. 6 is a right side elevational view thereof;  
 FIG. 7 is a top plan view thereof;  
 FIG. 8 is a bottom plan view thereof;  
 FIG. 9 is an enlarged view of a circle portion 9 of FIG. 1;  
 FIG. 10 is an enlarged view of a circle portion 10 of FIG. 2;  
 FIG. 11 is an enlarged view of a circle portion 11 of FIG. 2;  
 and,  
 FIG. 12 is an enlarged view of a circle portion 12 of FIG. 2.  
 The broken lines are for the purposes of illustrating portions of the electric mop and form no part of the claimed design.

**1 Claim, 12 Drawing Sheets**



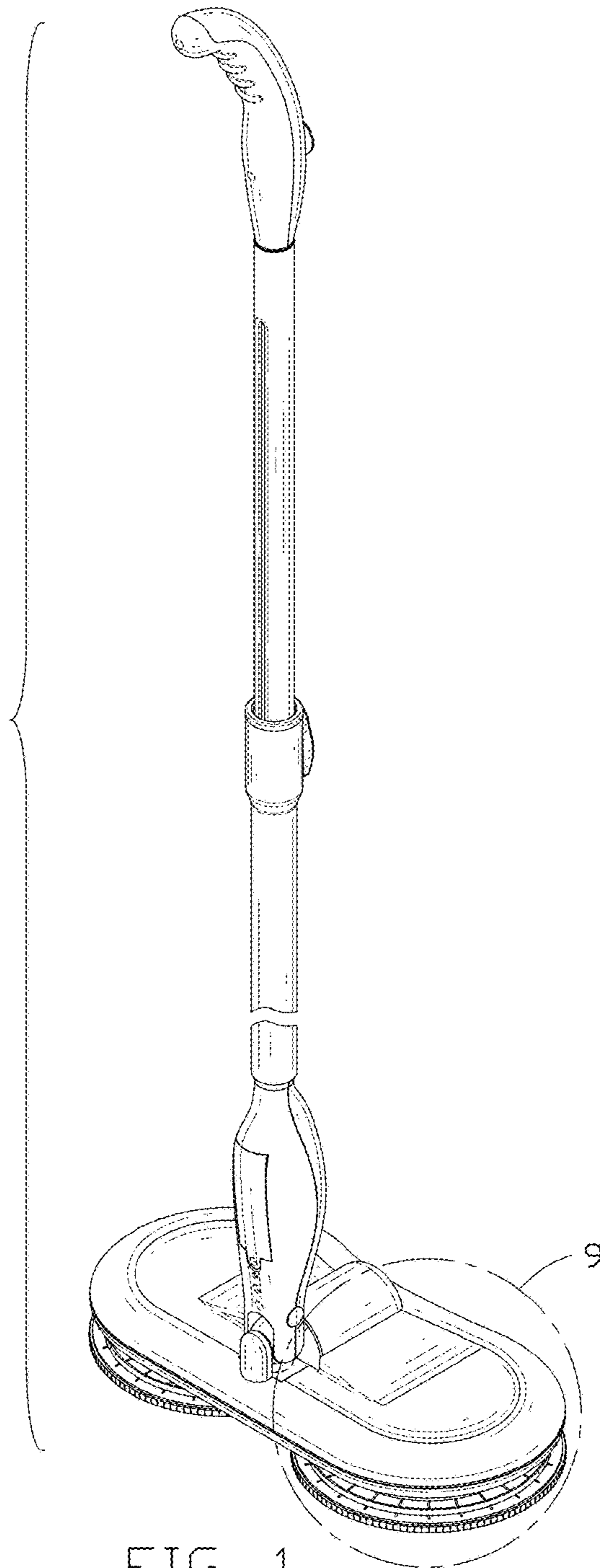


FIG. 1

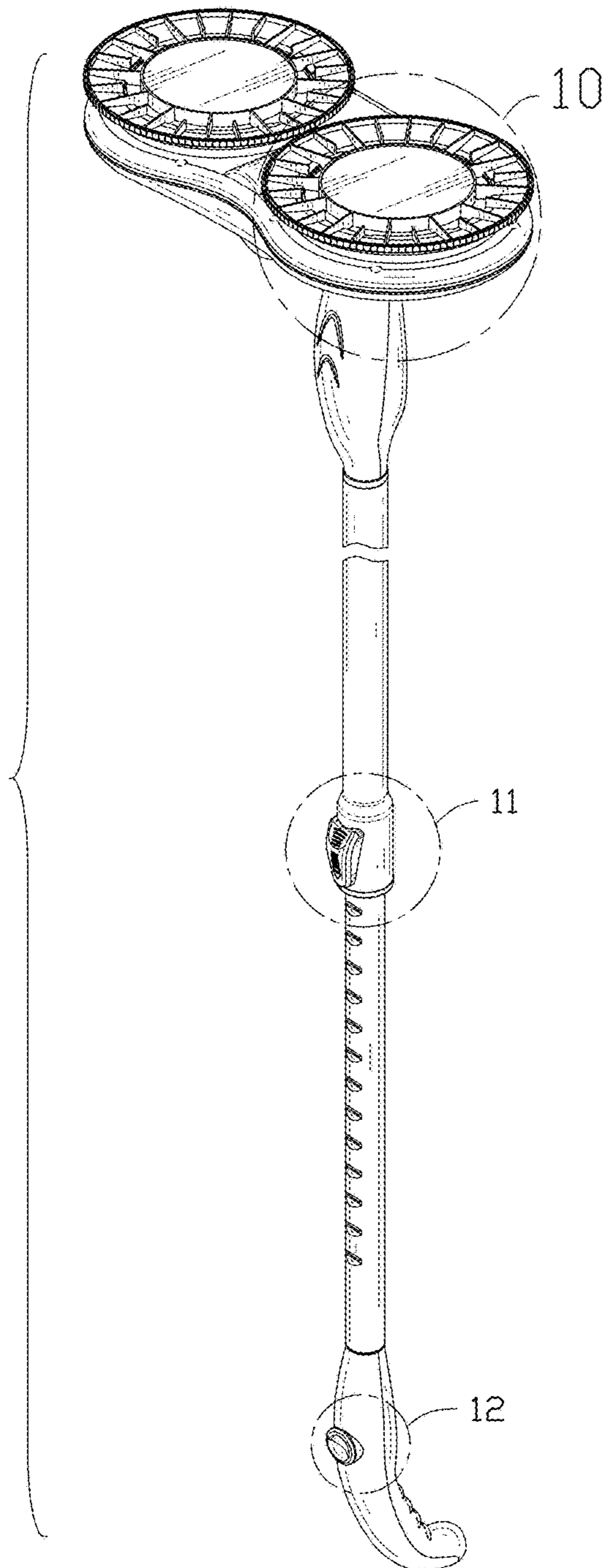


FIG. 2

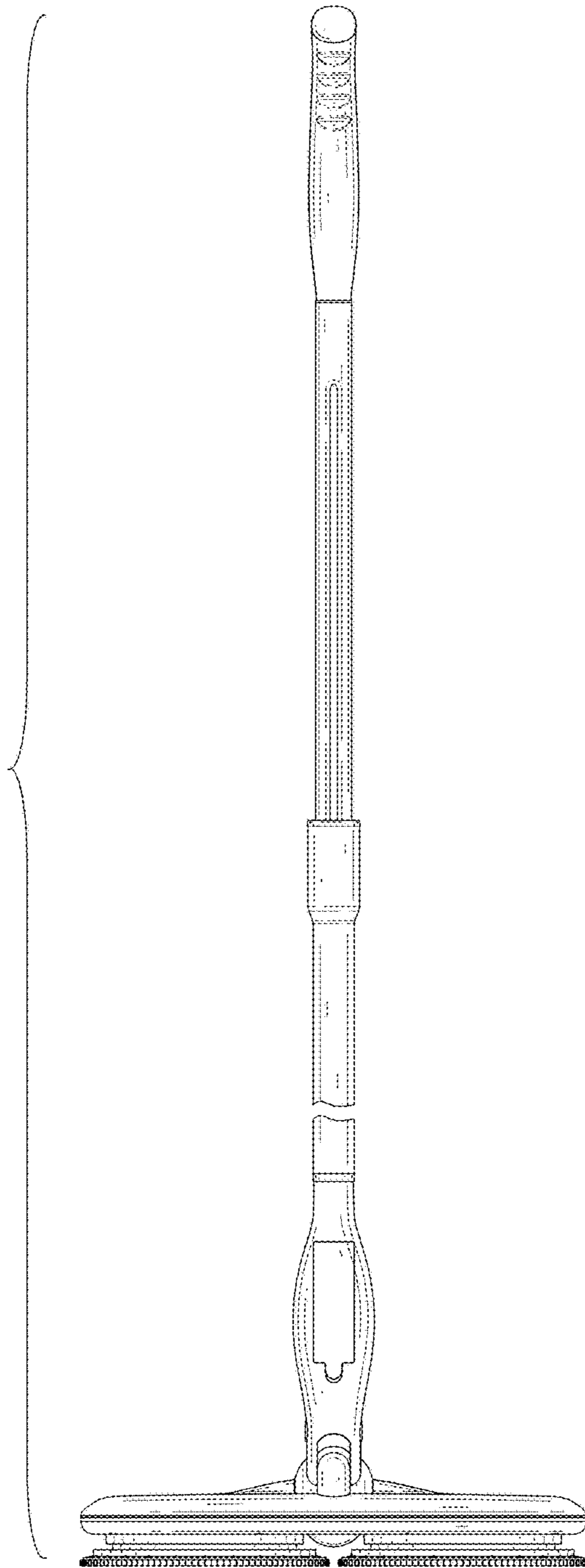


FIG. 3

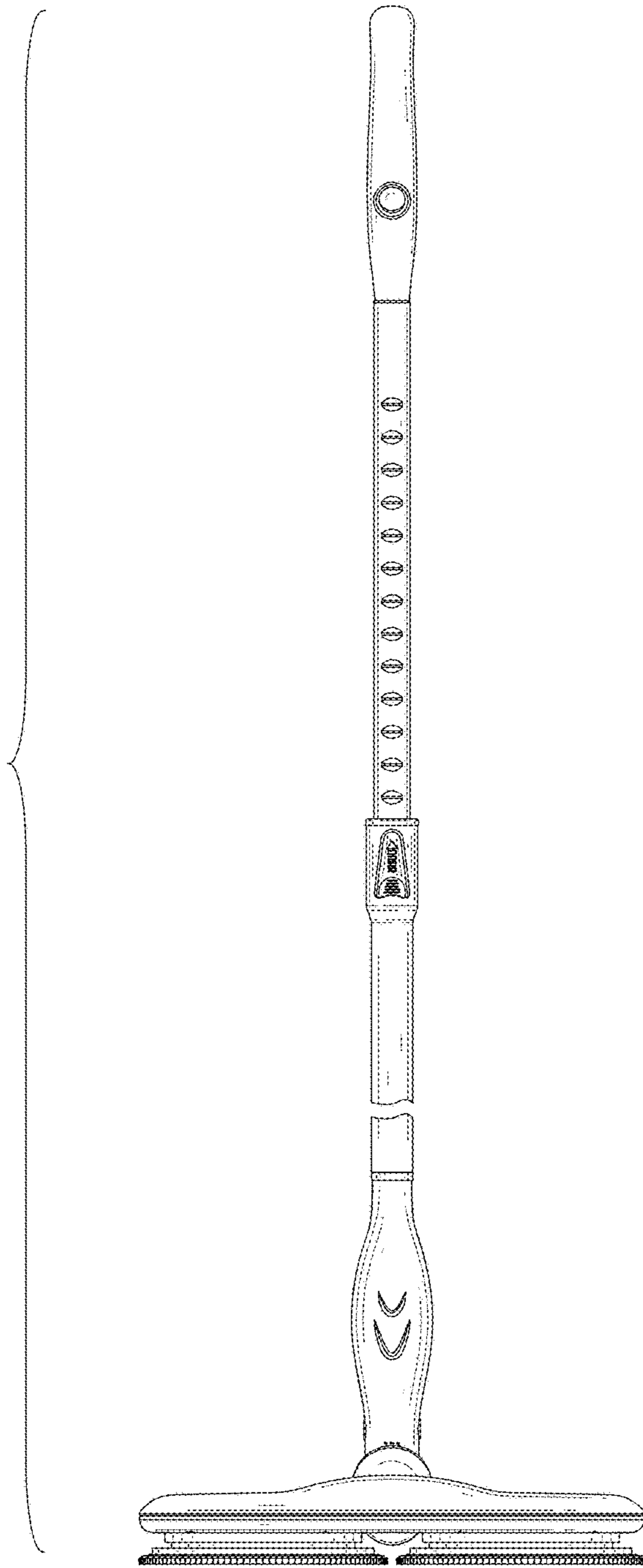


FIG. 4

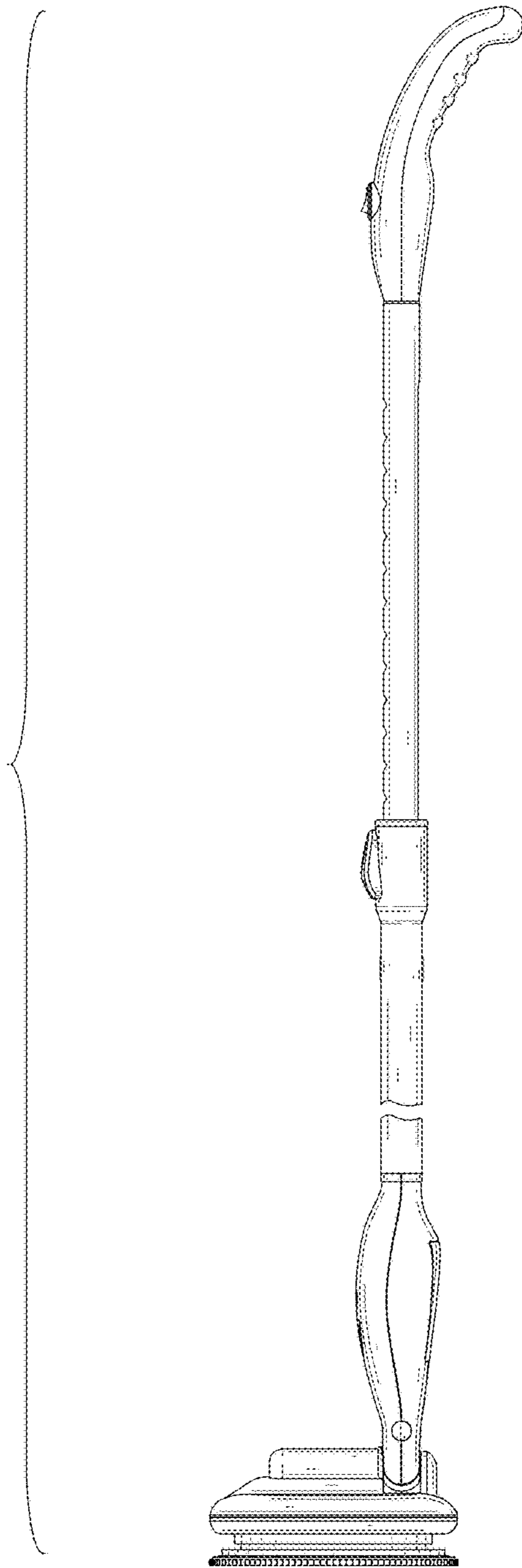


FIG. 5

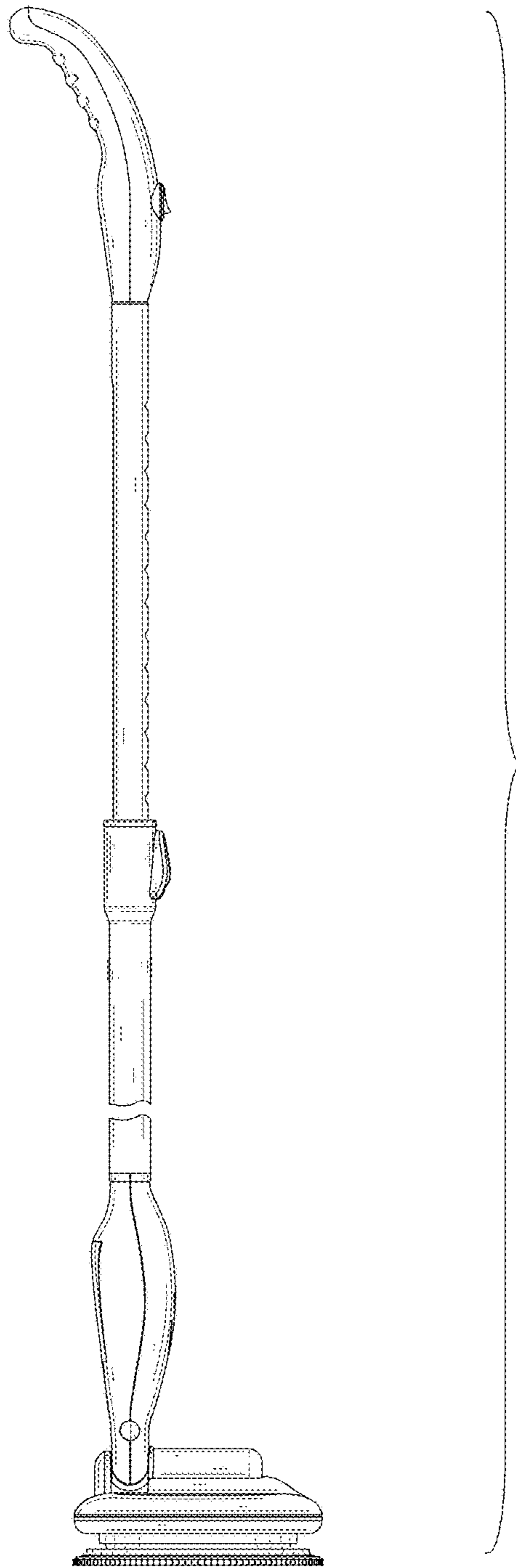


FIG. 6

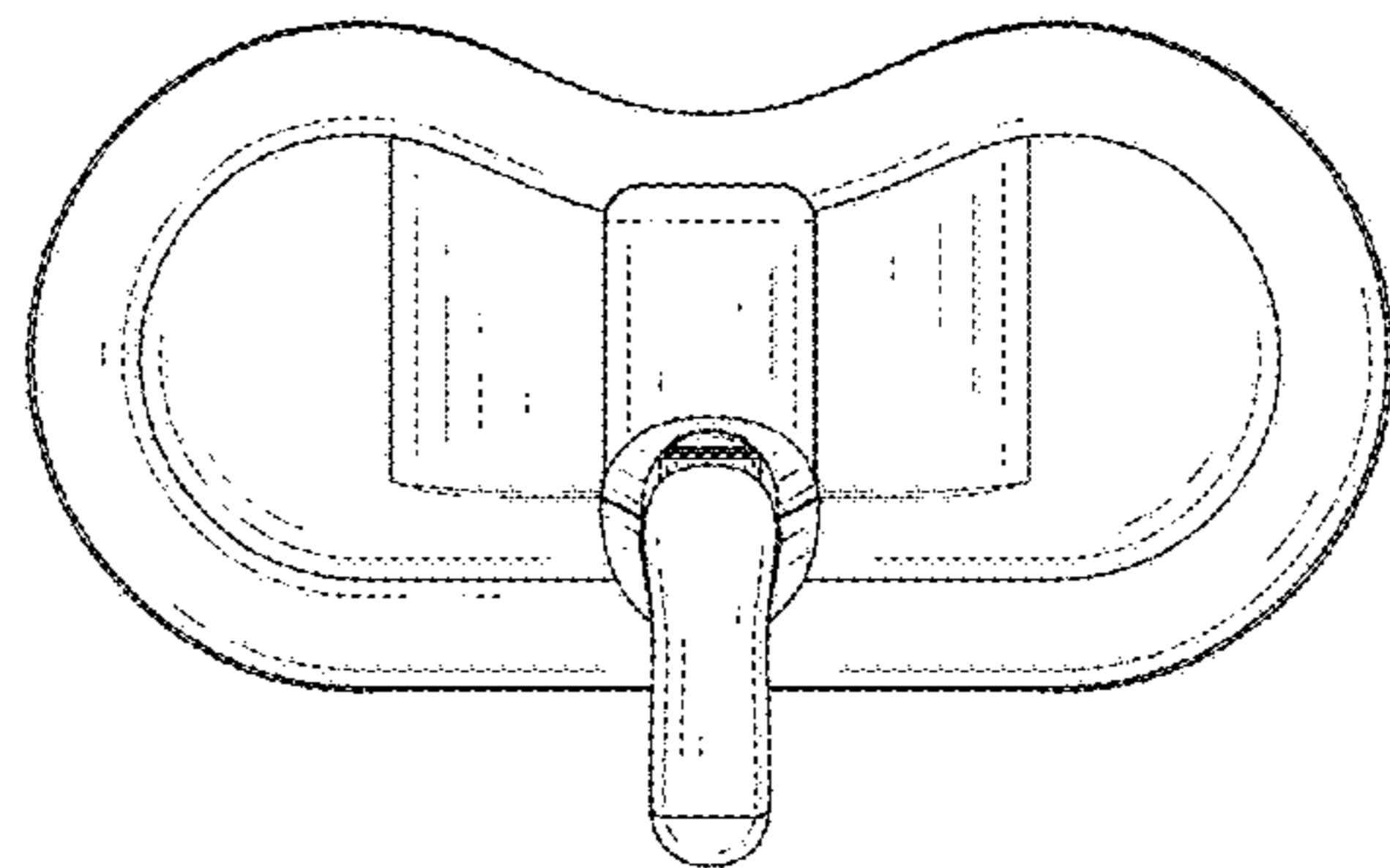


FIG. 7



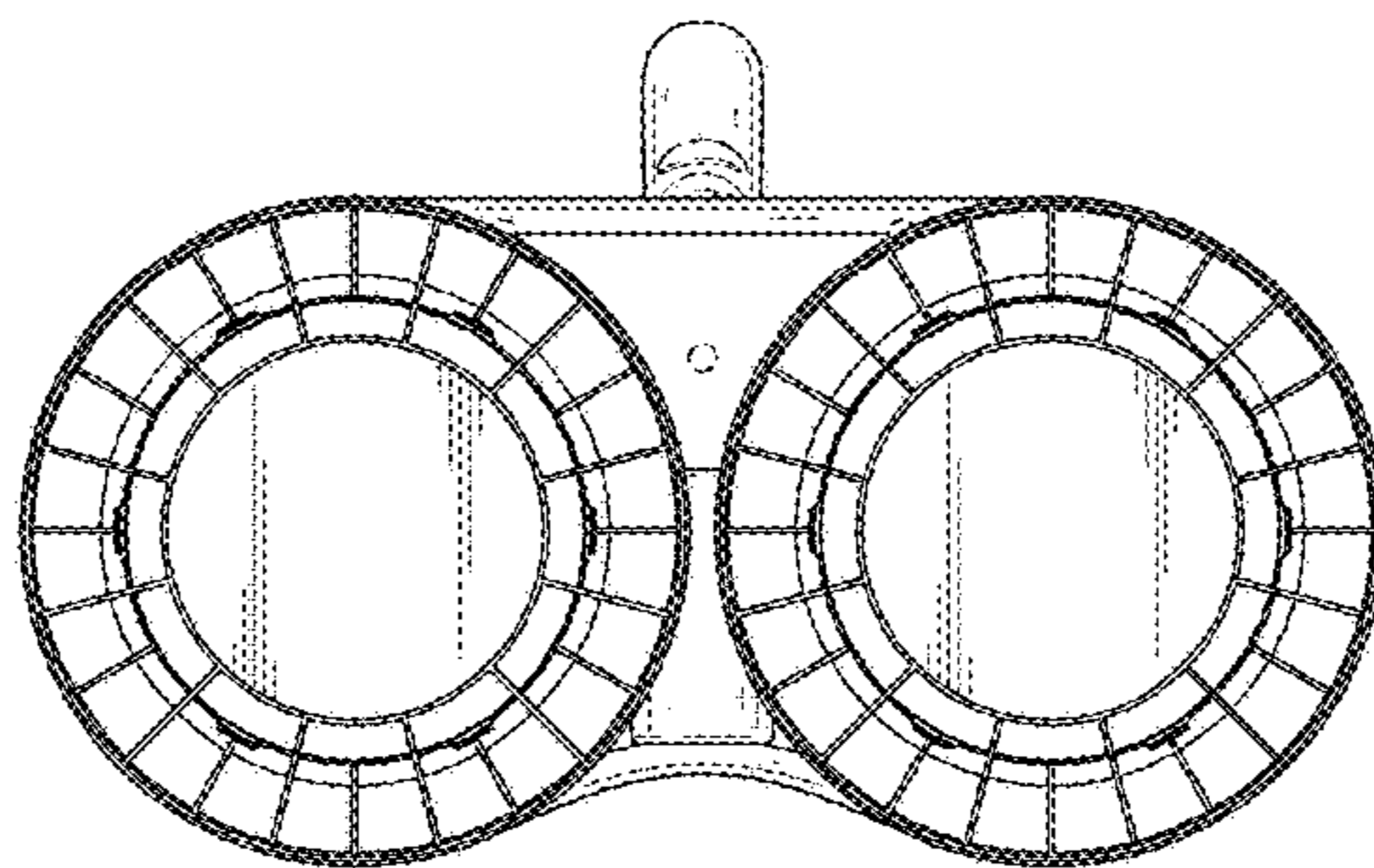


FIG. 8

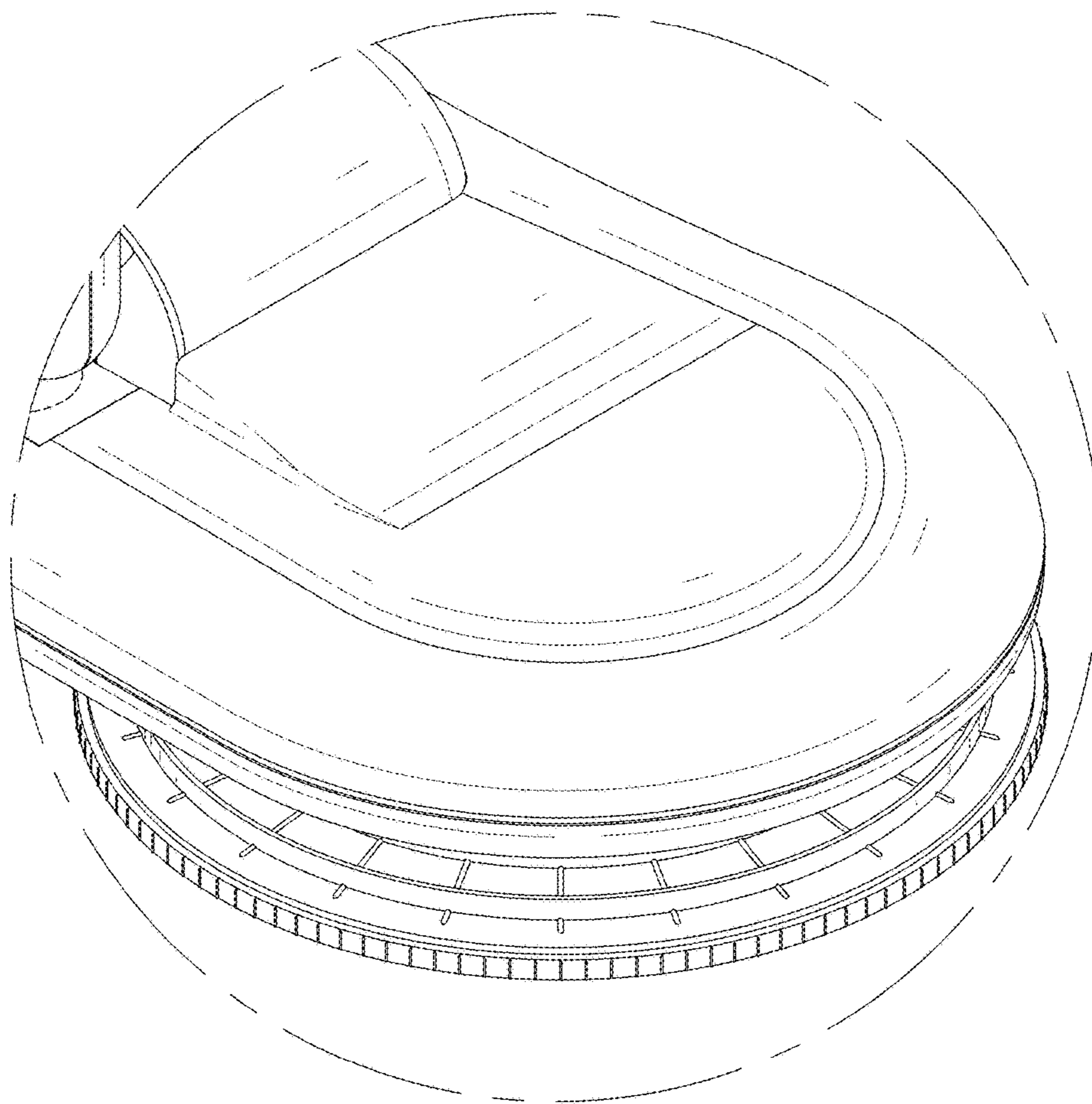


FIG. 9

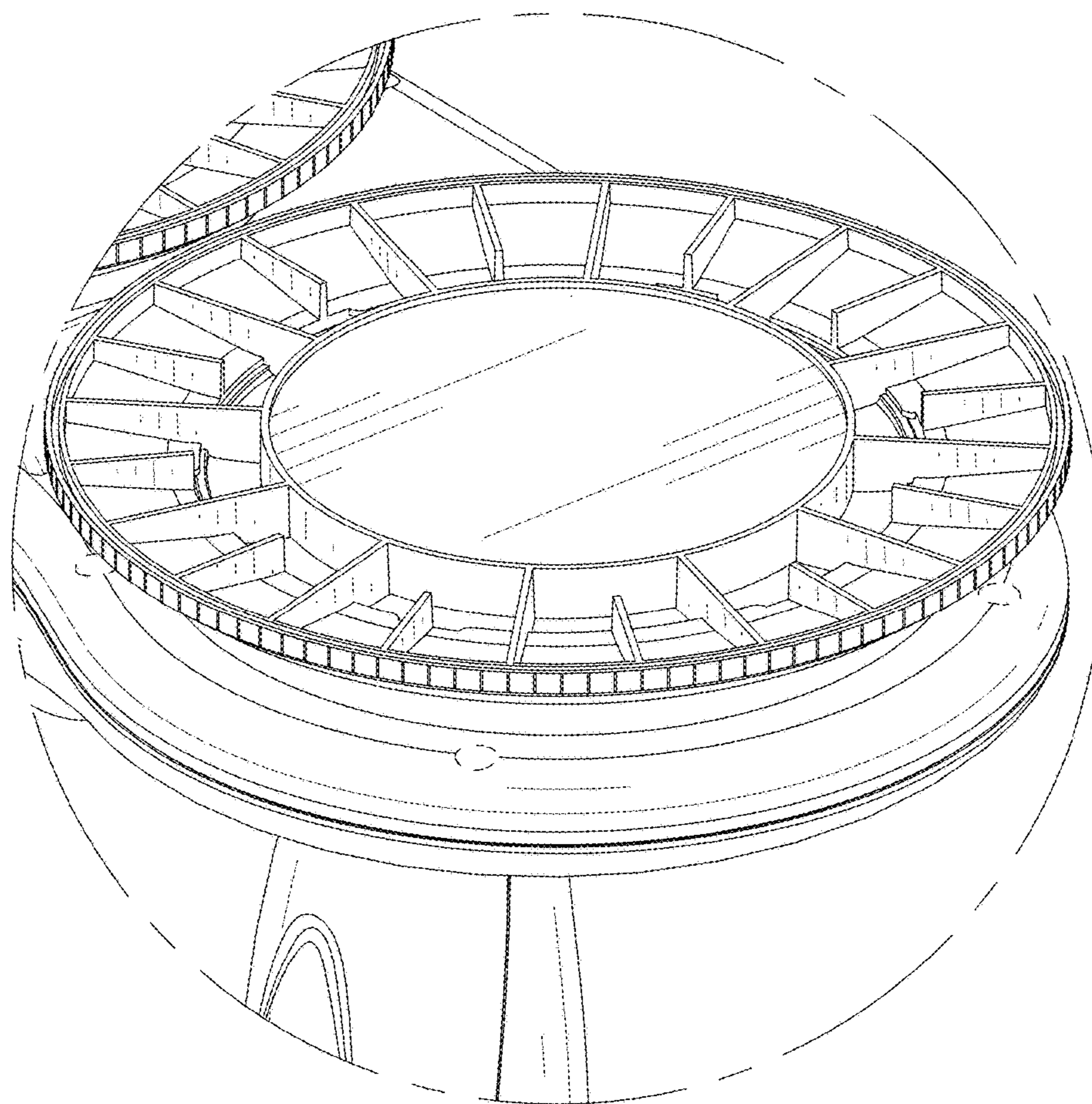


FIG. 10

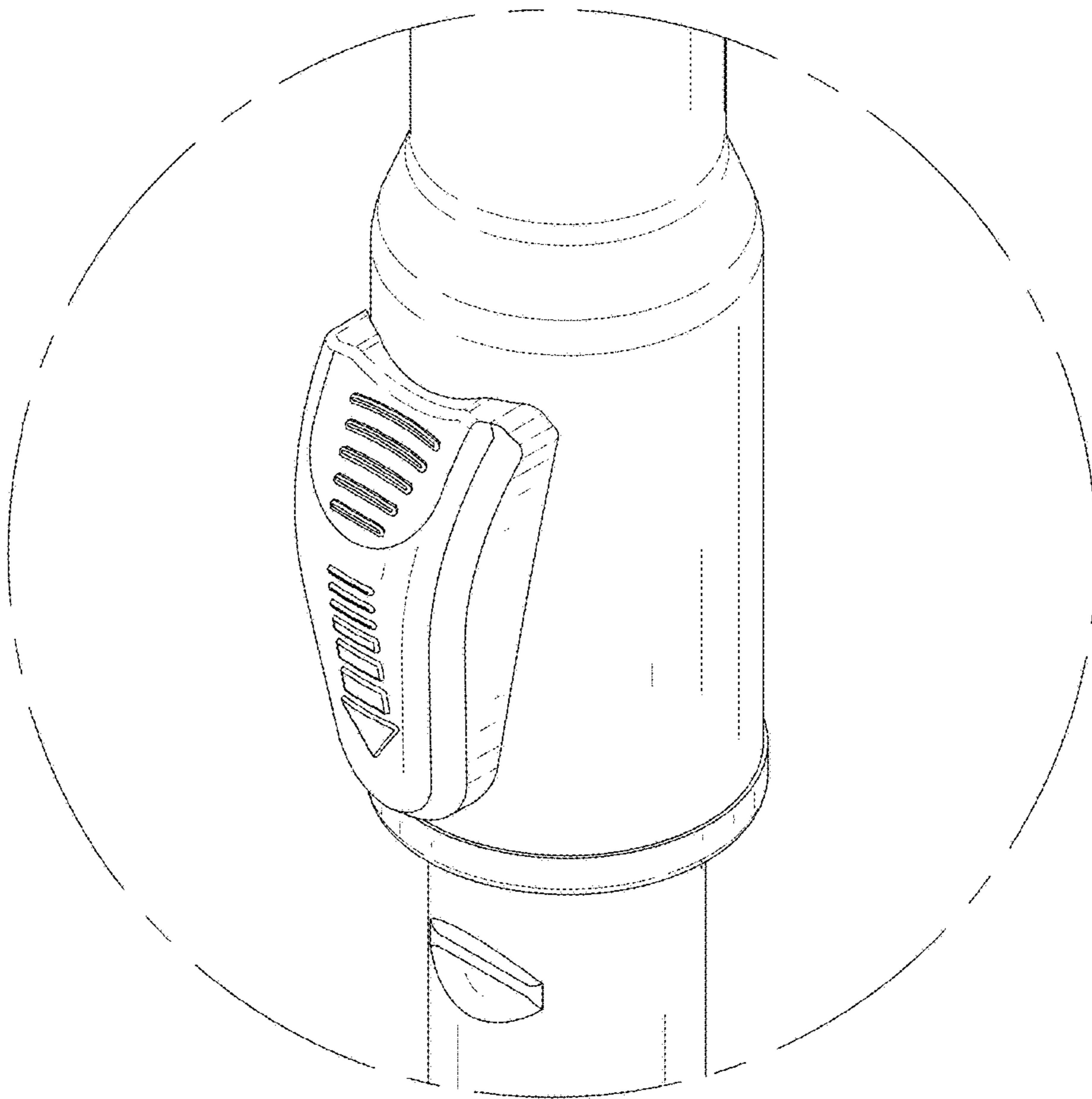


FIG. 11

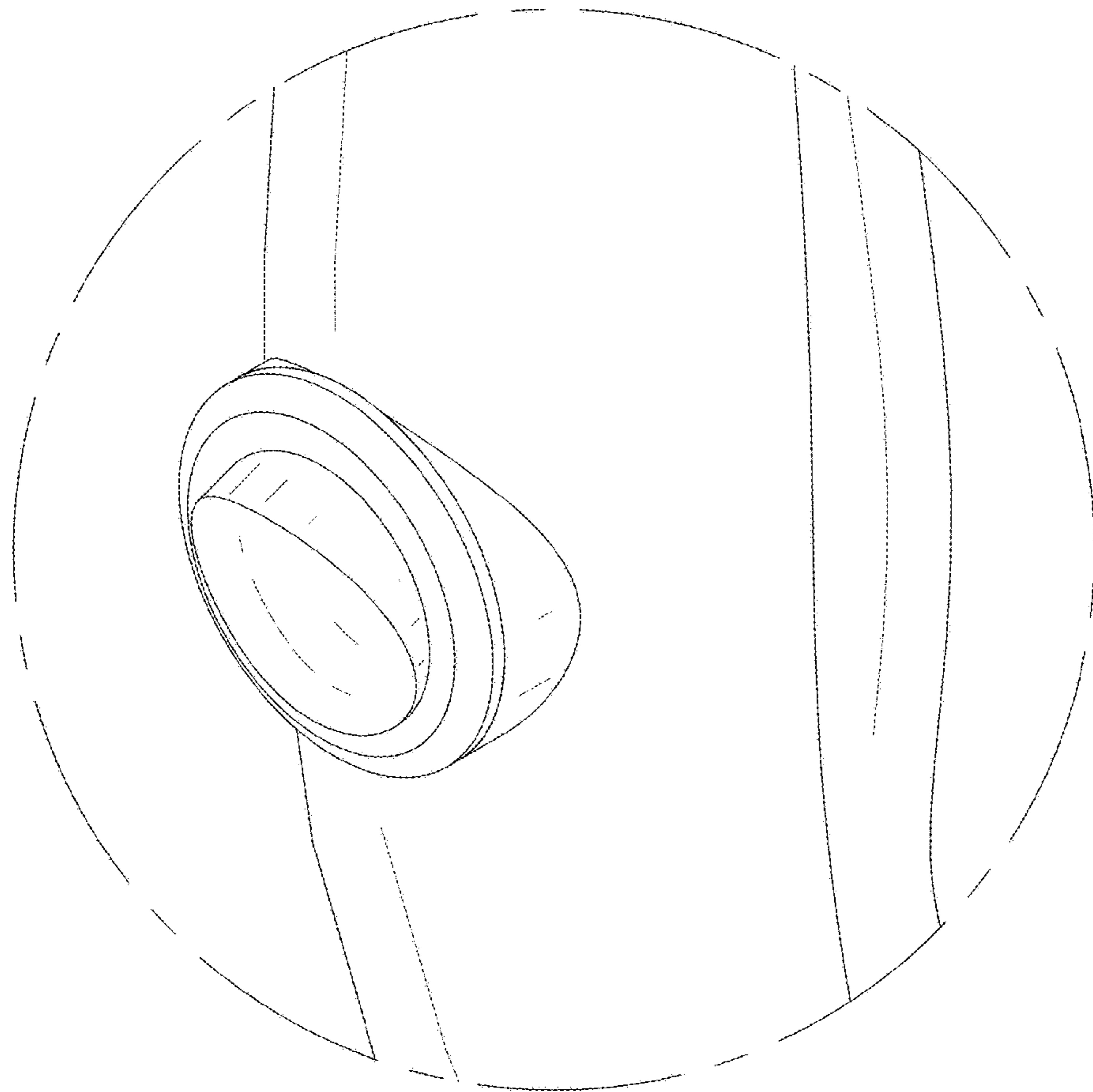


FIG. 12