

US00D866897S

(12) **United States Design Patent** (10) **Patent No.:** **US D866,897 S**  
**Baxter et al.** (45) **Date of Patent:** **\*\* Nov. 12, 2019**

(54) **POLE SCRUBBER**

(71) Applicant: **BLACK & DECKER INC.**, New Britain, CT (US)

(72) Inventors: **Mark Baxter**, Tyne & Wear (GB); **Stephen Houghton**, Newcastle upon Tyne (GB); **Martin Harnett**, Stockton on Tees (GB); **Robert P. Welsh**, Phoenix, MD (US); **Lea Kobeli**, San Francisco, CA (US); **Edward Wilson Licitra**, San Francisco, CA (US); **Jonathan Patrick Summers**, South San Francisco, CA (US); **Germain Verbrackel**, San Francisco, CA (US)

(73) Assignee: **Black & Decker, Inc.**, New Britain, CT (US)

(\*\*) Term: **15 Years**

(21) Appl. No.: **29/613,122**

(22) Filed: **Aug. 8, 2017**

(51) **LOC (12) Cl.** ..... **07-05**

(52) **U.S. Cl.**  
USPC ..... **D32/50; D32/15**

(58) **Field of Classification Search**  
USPC .. D32/50-53, 40, 45, 17-18, 21-22, 24-25;  
D4/127, 130-132, 134-135, 138;  
D8/1-14, 80, 94, 107  
CPC ..... A47L 13/52; A47L 13/12; A47L 13/00;  
A47L 13/20; A47L 13/24; A47L 13/22;  
B43M 11/02; A46B 5/00  
See application file for complete search history.

(56) **References Cited**

U.S. PATENT DOCUMENTS

1,520,148 A \* 12/1924 Shickluna ..... A47L 13/255  
15/229.8  
1,771,768 A \* 7/1930 Brown ..... A47L 13/255  
15/229.7

D219,006 S \* 10/1970 Gale et al. .... D8/8  
D249,630 S \* 9/1978 Ballas ..... D8/8  
D250,450 S \* 12/1978 Tiedemann ..... 30/276  
D351,768 S \* 10/1994 Griffin ..... D8/8  
D364,719 S \* 11/1995 Crawford ..... D32/46  
D374,750 S \* 10/1996 Vanderhoef ..... D32/50  
D471,334 S \* 3/2003 Reede ..... D32/50  
6,973,695 B1 \* 12/2005 Nesler ..... A47L 1/06  
15/144.2  
D544,667 S \* 6/2007 Nelson ..... D32/50  
D629,985 S \* 12/2010 Lee ..... D32/51  
9,345,370 B2 \* 5/2016 Post ..... A47L 1/15

(Continued)

FOREIGN PATENT DOCUMENTS

CN 300726103 \* 1/2008

OTHER PUBLICATIONS

Black+Decker Scumbuster Pro Rechargeable Powered Scrubber, Home Depot website 2019, <https://www.homedepot.com/p/BLACK-DECKER-Scumbuster-Pro-Rechargeable-Powered-Scrubber-29613122> site visited Jun. 15, 2019.\*

Primary Examiner — John Windmuller

Assistant Examiner — John R Yeh

(74) Attorney, Agent, or Firm — John Yun

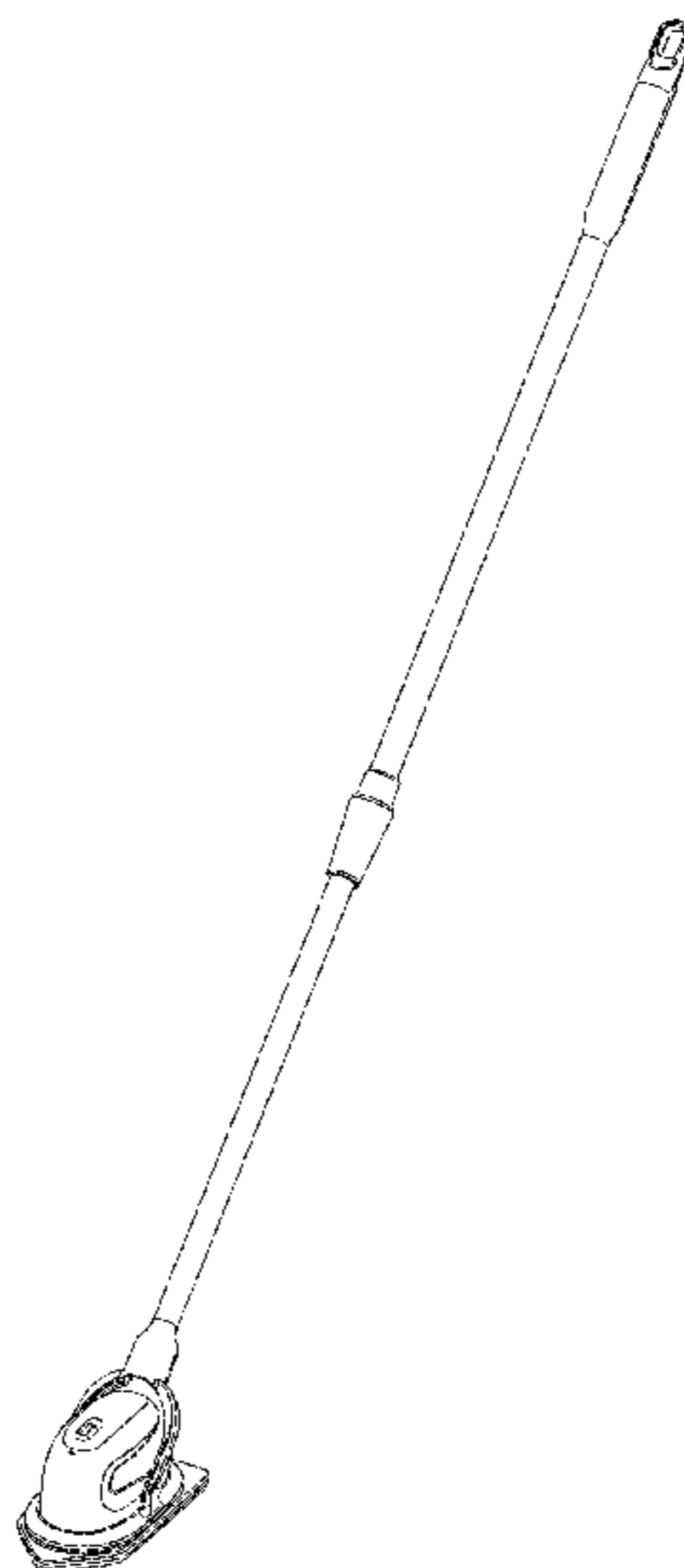
(57) **CLAIM**

The ornamental design for a pole scrubber, as shown and described.

**DESCRIPTION**

FIG. 1 is a perspective view of a pole scrubber;  
FIG. 2 is front view thereof;  
FIG. 3 is a rear view thereof;  
FIG. 4 is a right side view thereof;  
FIG. 5 is a left side view thereof;  
FIG. 6 is a top view thereof; and,  
FIG. 7 is a bottom view thereof.

**1 Claim, 7 Drawing Sheets**



(56)

**References Cited**

U.S. PATENT DOCUMENTS

D810,372 S \* 2/2018 Buckley ..... A47L 13/22  
D32/50  
D828,668 S \* 9/2018 Libman ..... D32/50  
D830,016 S \* 10/2018 Lim ..... D32/22  
D831,287 S \* 10/2018 Vasilakes ..... D32/52  
10,194,780 B2 \* 2/2019 Henao ..... A46B 17/06  
2006/0245820 A1 \* 11/2006 Kresse ..... A47L 13/20  
401/276  
2014/0251373 A1 \* 9/2014 Yan ..... A47L 13/12  
134/6  
2018/0110391 A1 \* 4/2018 Patterson ..... A47L 13/22

\* cited by examiner

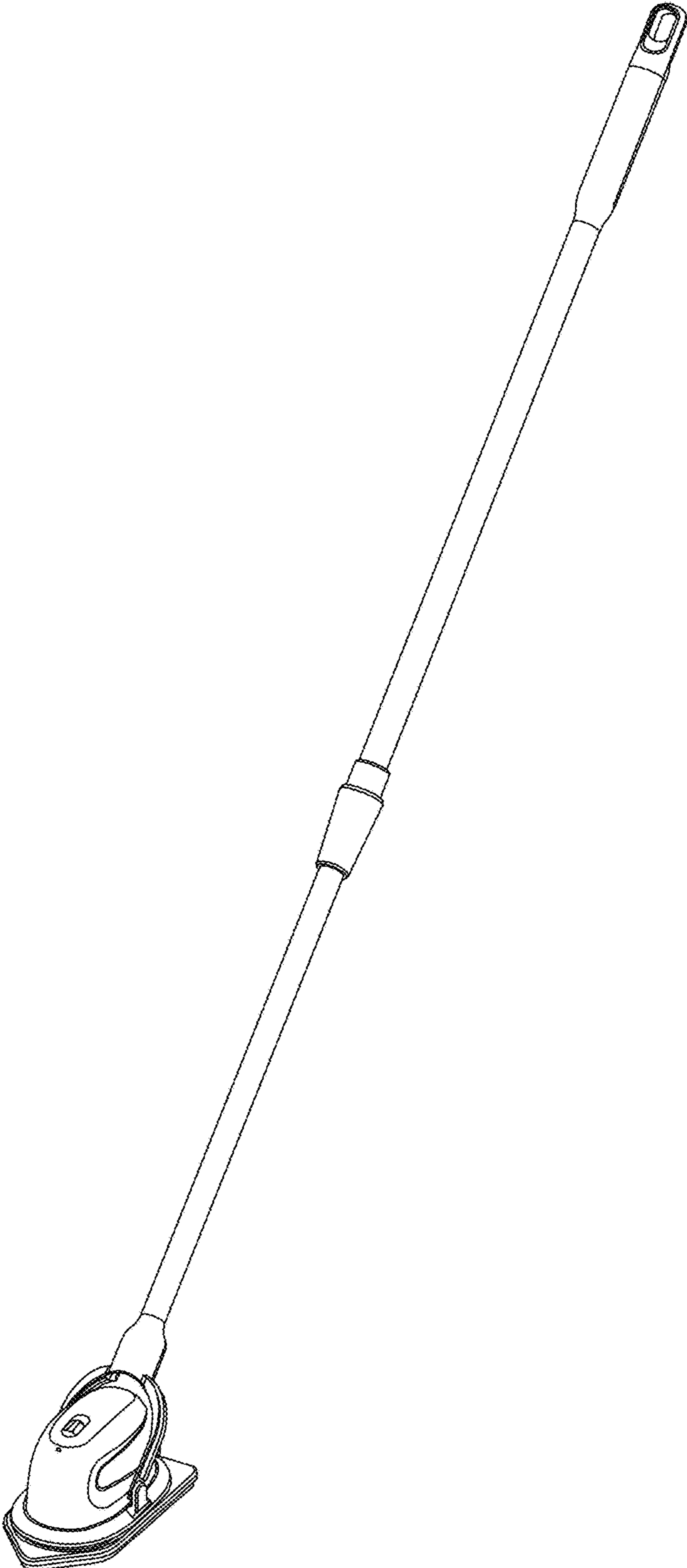


FIG.1

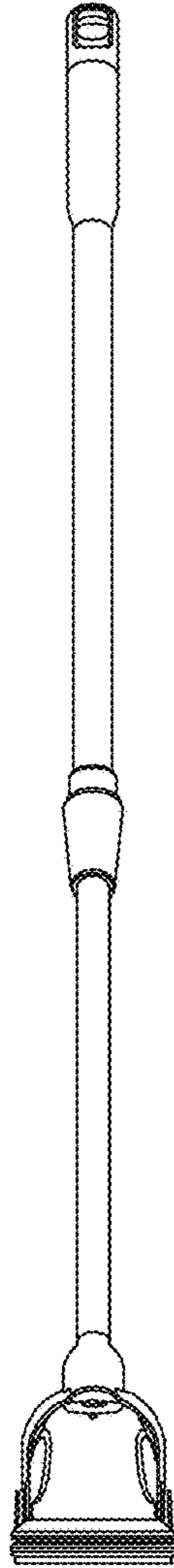


FIG.2

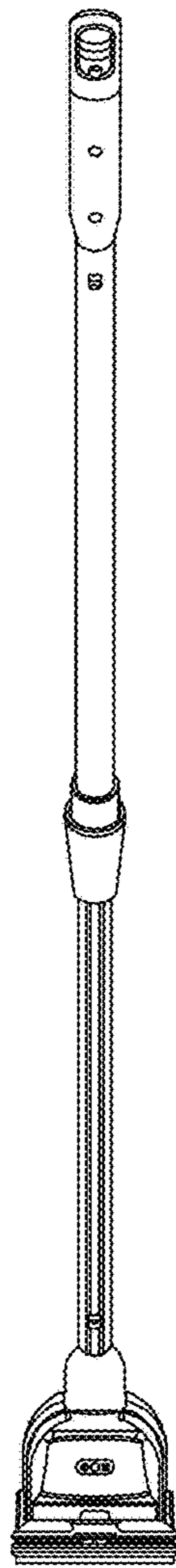


FIG.3

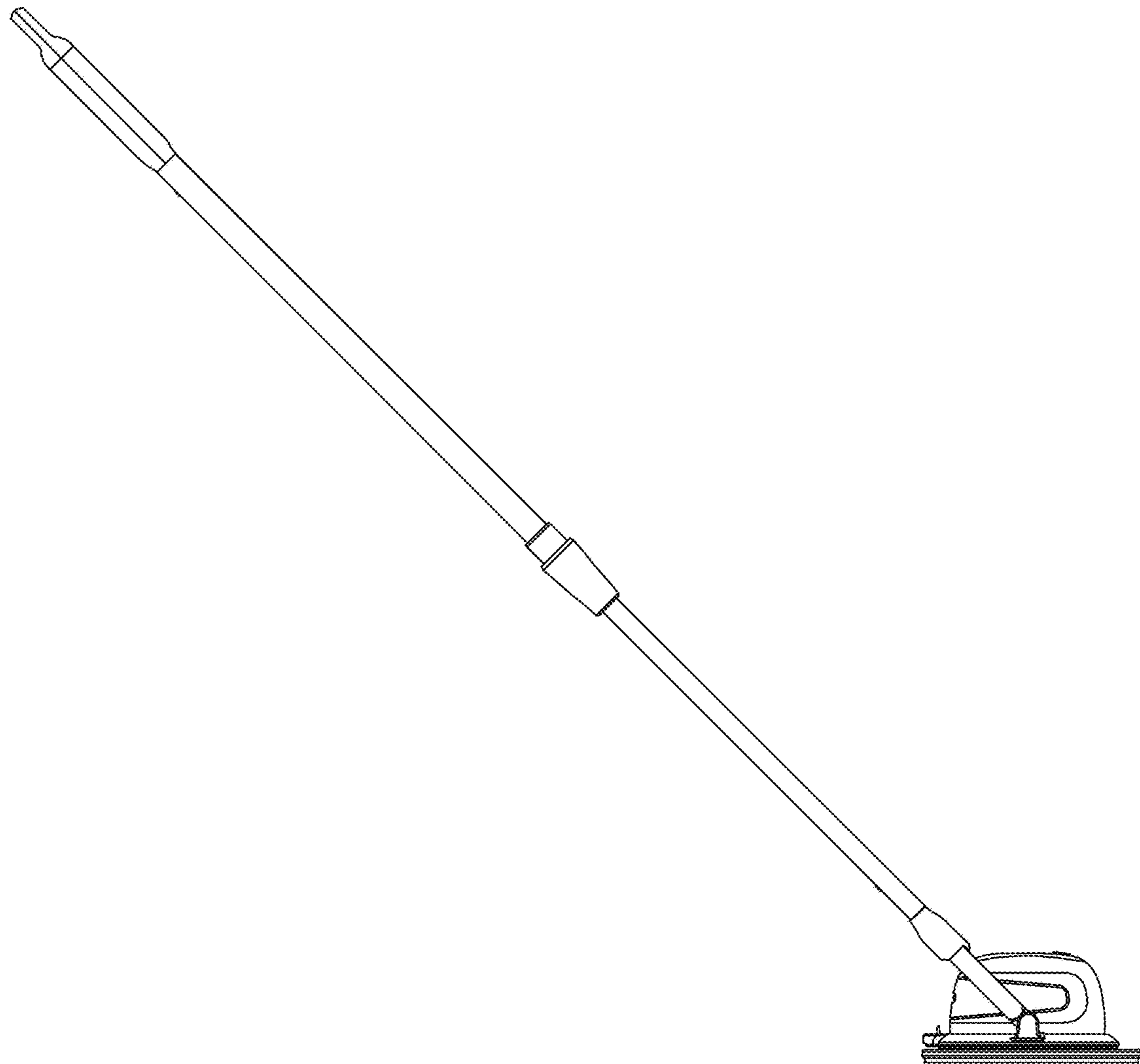


FIG.4

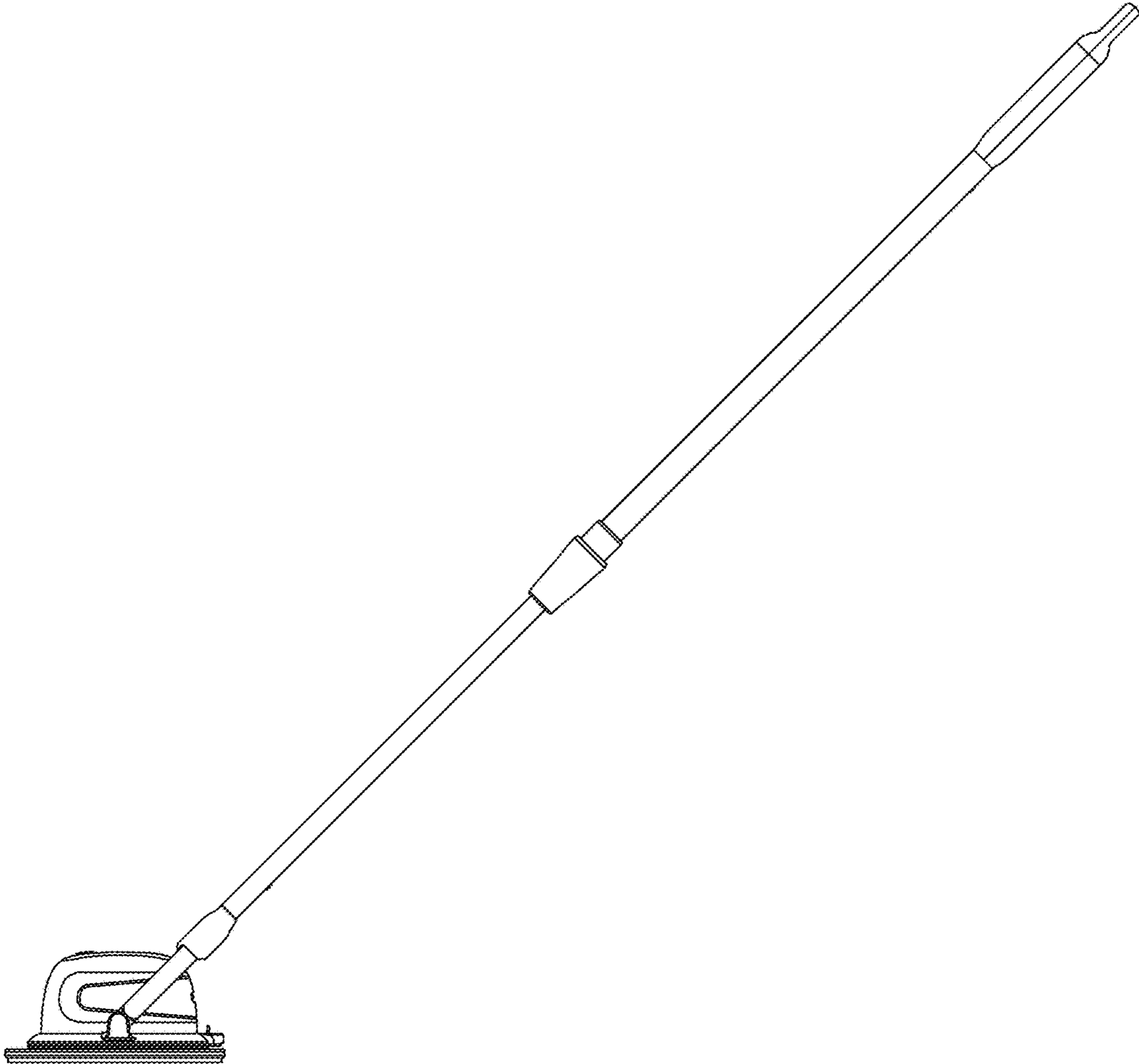


FIG.5

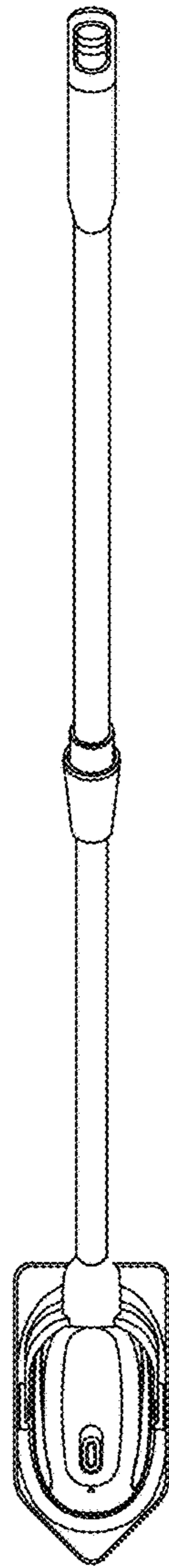


FIG.6



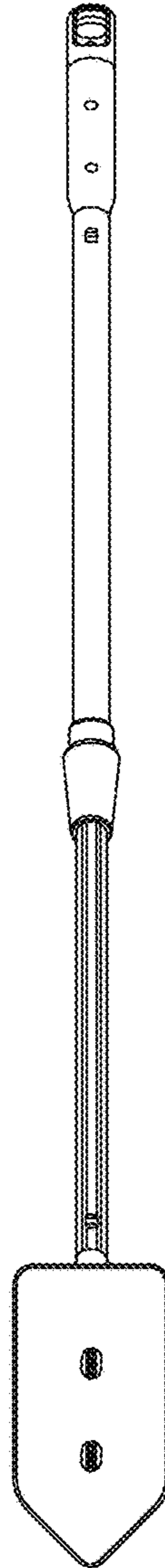


FIG.7