



US00D866894S

(12) **United States Design Patent** (10) **Patent No.:** **US D866,894 S**  
**McDonnell** (45) **Date of Patent:** **\*\* \*Nov. 12, 2019**

(54) **SPRAY MOP**

(71) Applicant: **Joseph A. McDonnell**, Weston, FL  
(US)

(72) Inventor: **Joseph A. McDonnell**, Weston, FL  
(US)

(\* ) Notice: This patent is subject to a terminal disclaimer.

(\*\*) Term: **15 Years**

(21) Appl. No.: **29/607,653**

(22) Filed: **Jun. 15, 2017**

(51) **LOC (12) Cl.** ..... **07-05**

(52) **U.S. Cl.**  
USPC ..... **D32/45**

(58) **Field of Classification Search**  
USPC ..... D32/15, 40, 45, 50-52; D4/130-133  
CPC . A47L 13/10; A47L 13/20; A47L 7/00; A47L  
5/24; A47L 13/16; A47L 13/12; B32B  
27/04; A01D 7/06  
See application file for complete search history.

(56) **References Cited**

**U.S. PATENT DOCUMENTS**

- 2,073,170 A \* 3/1937 Pieper ..... A47L 13/312  
137/376
- 4,516,361 A \* 5/1985 Gringer ..... B24D 15/04  
15/144.1
- 4,852,210 A \* 8/1989 Krajicek ..... A47L 13/20  
15/144.2
- D458,427 S \* 6/2002 Kunkler ..... D32/45
- D482,829 S \* 11/2003 Vosbikian ..... D32/45
- 6,948,873 B2 \* 9/2005 Policicchio ..... A47L 13/20  
401/138
- D548,910 S \* 8/2007 Murray ..... D32/45
- D585,612 S \* 1/2009 Soller ..... D32/40
- 7,480,956 B2 \* 1/2009 Policicchio ..... A47L 13/16  
134/6
- D602,218 S \* 10/2009 Koenig ..... D32/40

- D636,958 S \* 4/2011 Koenig ..... D32/45
  - 8,020,236 B2 \* 9/2011 Kaleta ..... A47L 11/33  
15/4
  - D660,533 S \* 5/2012 Hill ..... D32/22
- (Continued)

**FOREIGN PATENT DOCUMENTS**

- CN 303098558 \* 2/2015
- CN 304114651 \* 4/2017

**OTHER PUBLICATIONS**

Ningbo Dongsu Plastic Industry Co.,Ltd., website copyright 1996.  
[https://nbdongsu.en.ecplaza.net/products/newest-fashion-iron-pole-spray-mop\\_3674582](https://nbdongsu.en.ecplaza.net/products/newest-fashion-iron-pole-spray-mop_3674582), [site visited Jun. 24, 2018 6:18:41 PM].\*  
(Continued)

*Primary Examiner* — John Windmuller  
*Assistant Examiner* — John R Yeh  
(74) *Attorney, Agent, or Firm* — Bass, Berry & Sims  
PLC

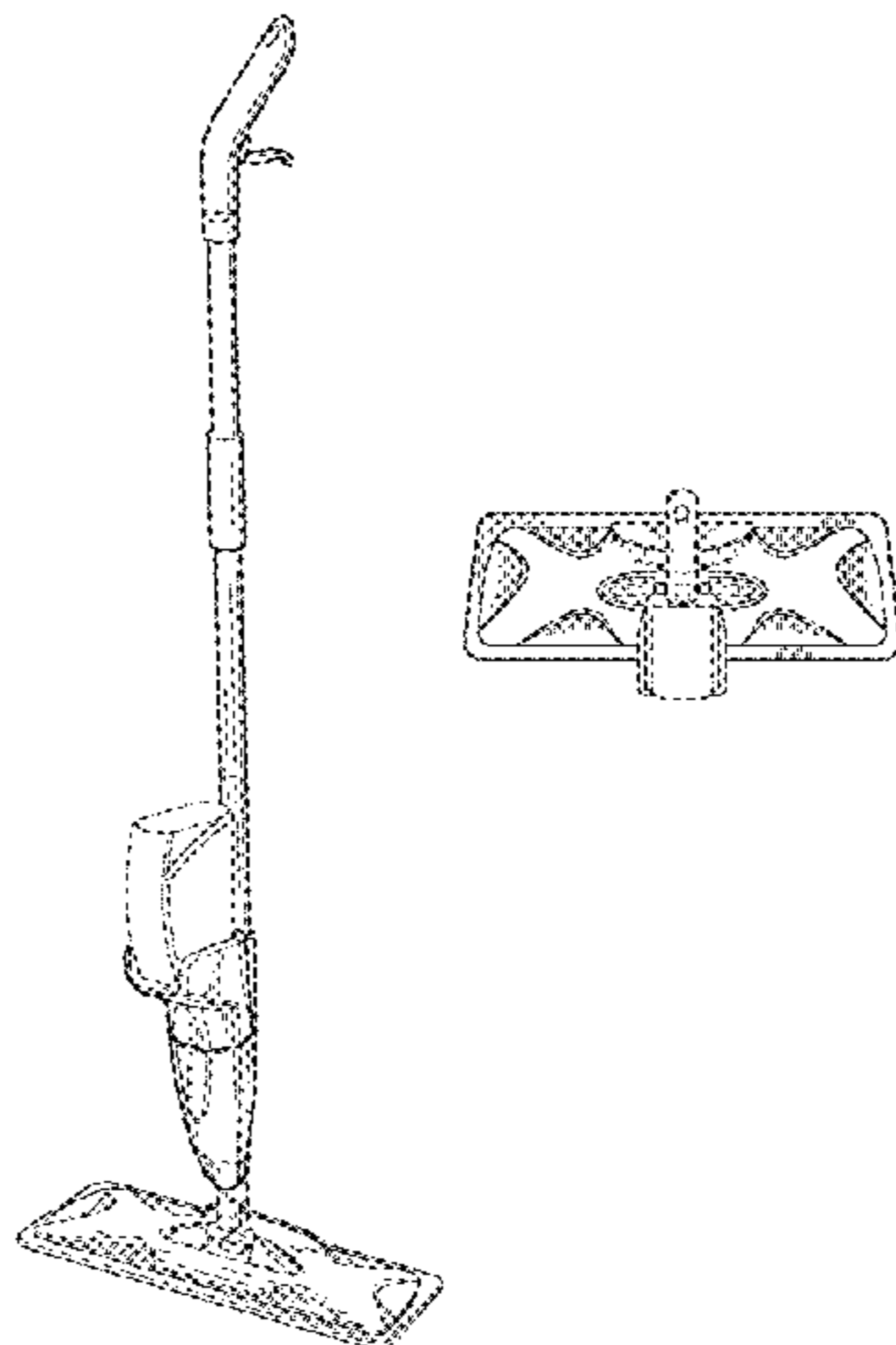
(57) **CLAIM**

The ornamental design for a spray mop, as shown and described.

**DESCRIPTION**

FIG. 1 is a front perspective view of my design for a spray mop;  
FIG. 2 is a right side view of the spray mop shown in FIG. 1;  
FIG. 3 is a left side view of the spray mop shown in FIG. 1;  
FIG. 4 is a front view of the spray mop shown in FIG. 1;  
FIG. 5 is a rear view of the spray mop shown in FIG. 1;  
FIG. 6 is a top view of the head of the spray mop shown in FIG. 1; and,  
FIG. 7 is a bottom view of the head of the spray mop shown in FIG. 1.  
The broken lines represent portions of the spray mop that form no part of the claimed design.

**1 Claim, 4 Drawing Sheets**



(56)

**References Cited**

U.S. PATENT DOCUMENTS

D661,036	S *	5/2012	Raven	.....	D32/45
D661,442	S *	6/2012	Kandasamy	.....	D32/40
D673,748	S *	1/2013	Snyder	.....	D32/45
D677,762	S *	3/2013	Lord	.....	D23/255
D685,060	S *	6/2013	Yu	.....	D23/238
D685,968	S *	7/2013	Smith	.....	D32/45
D700,761	S *	3/2014	Libman	.....	D32/50
D709,262	S *	7/2014	Hughes	.....	D32/45
8,782,843	B2 *	7/2014	Ludtke	.....	A47L 13/22
					15/208
D719,709	S *	12/2014	Gidwell	.....	D32/40
D720,105	S *	12/2014	Gidwell	.....	D32/40
D723,233	S *	2/2015	Gidwell	.....	D32/50
D765,330	S *	8/2016	Lentine	.....	D32/45
D792,043	S *	7/2017	Buckley	.....	D32/50
D806,338	S *	12/2017	Metzel	.....	D32/45
D819,907	S *	6/2018	Fair	.....	A47L 13/22
					D32/50
2012/0227763	A1 *	9/2012	Hayes	.....	A47L 13/22
					134/6

OTHER PUBLICATIONS

Lyon Bathroom Faucet by Desajni—Single Handle Bathroom Faucet, Waterfall Spout, website 2018, [https://www.amazon.com/dp/B079NDWCJ1/ref=sspa\\_dk\\_detail\\_4?psc=1&pd\\_rd\\_i=B079N...](https://www.amazon.com/dp/B079NDWCJ1/ref=sspa_dk_detail_4?psc=1&pd_rd_i=B079N...) . . . site visited Jul. 9, 2018.\*

\* cited by examiner

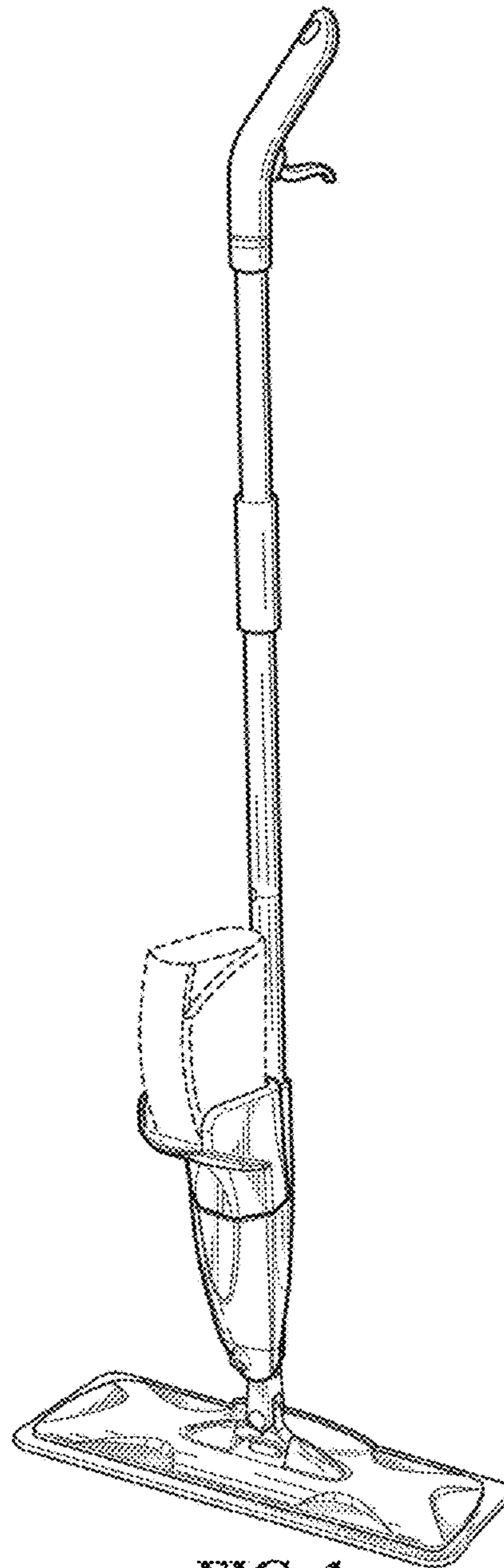


FIG. 1

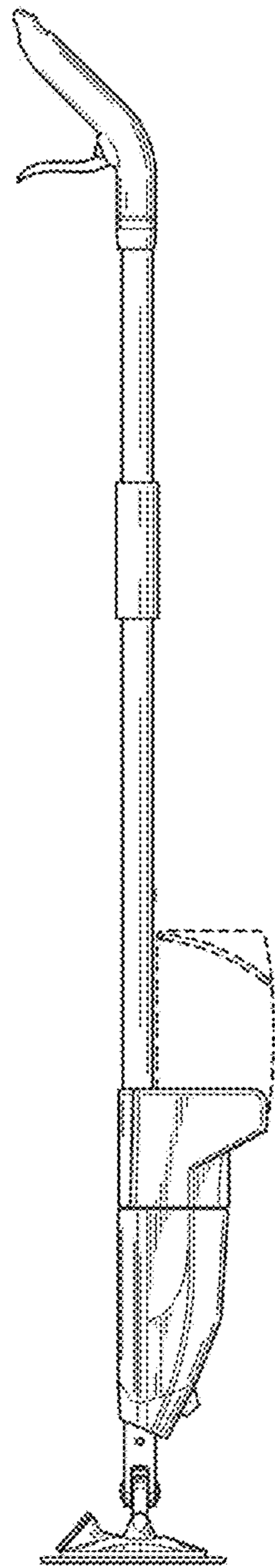


FIG. 2

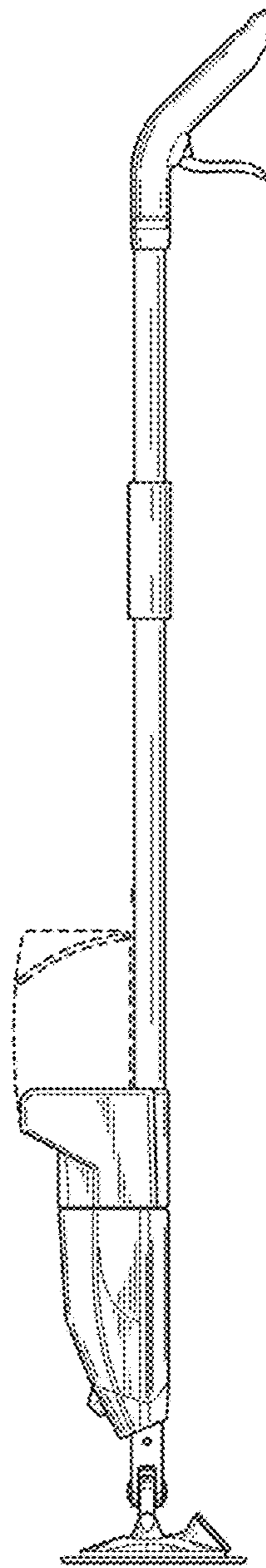


FIG. 3

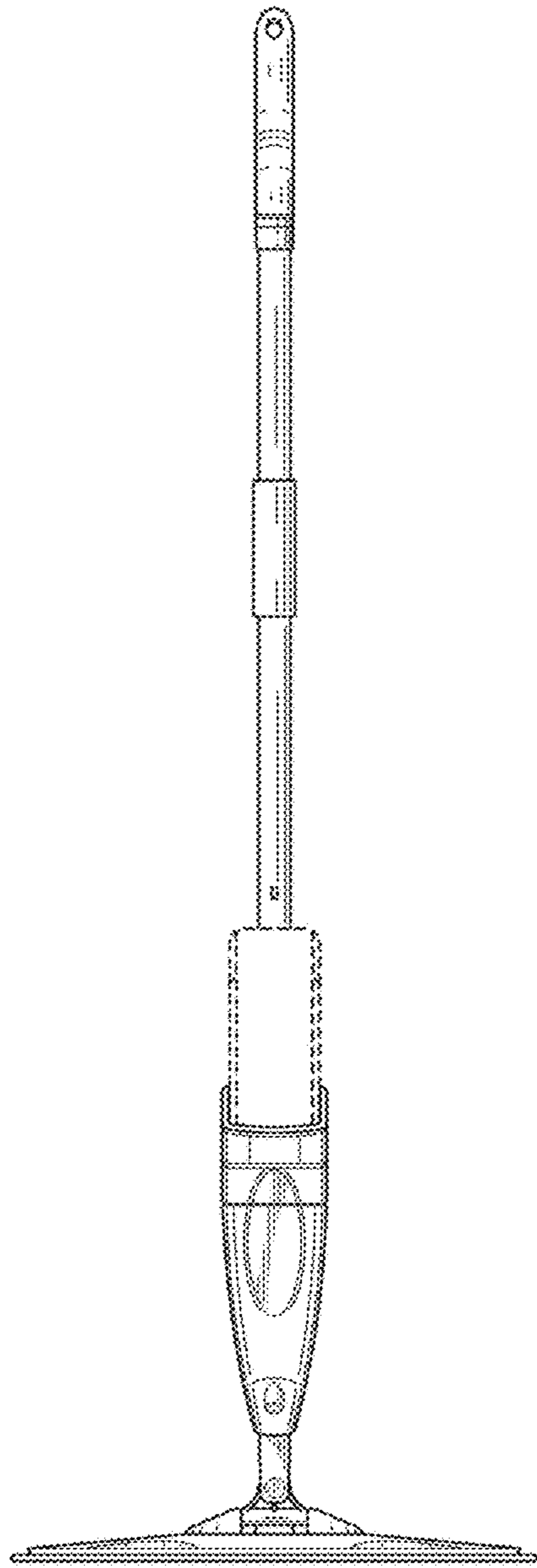


FIG. 4

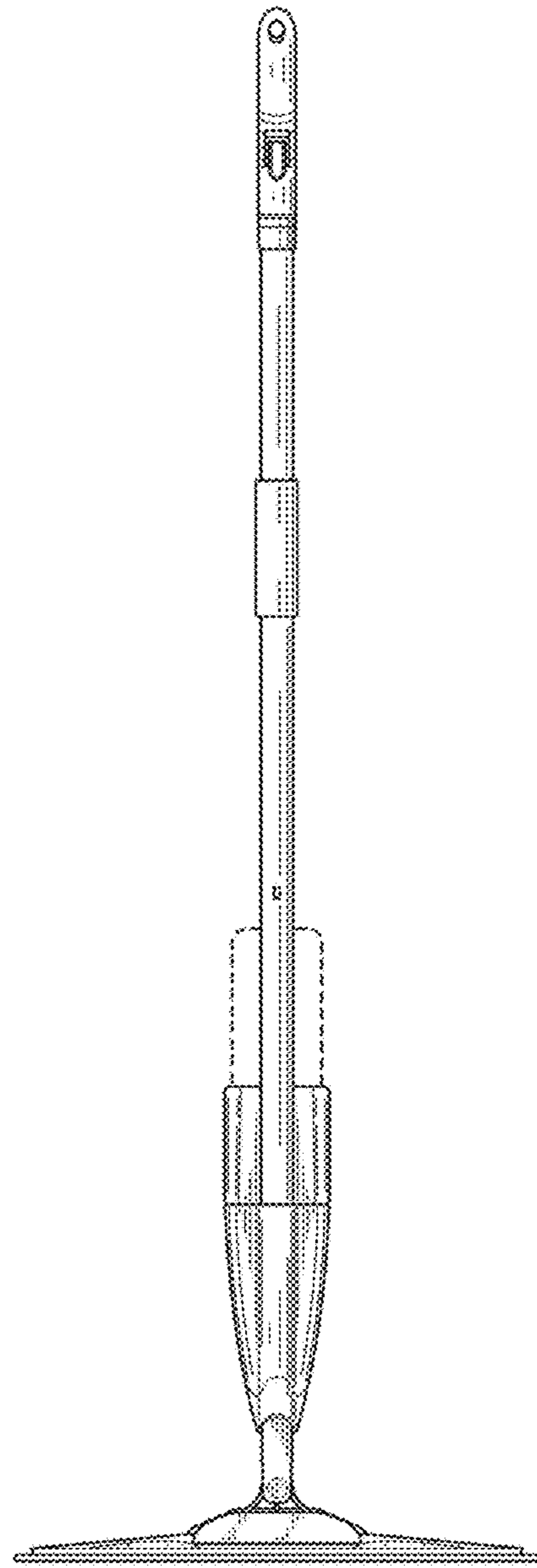


FIG. 5

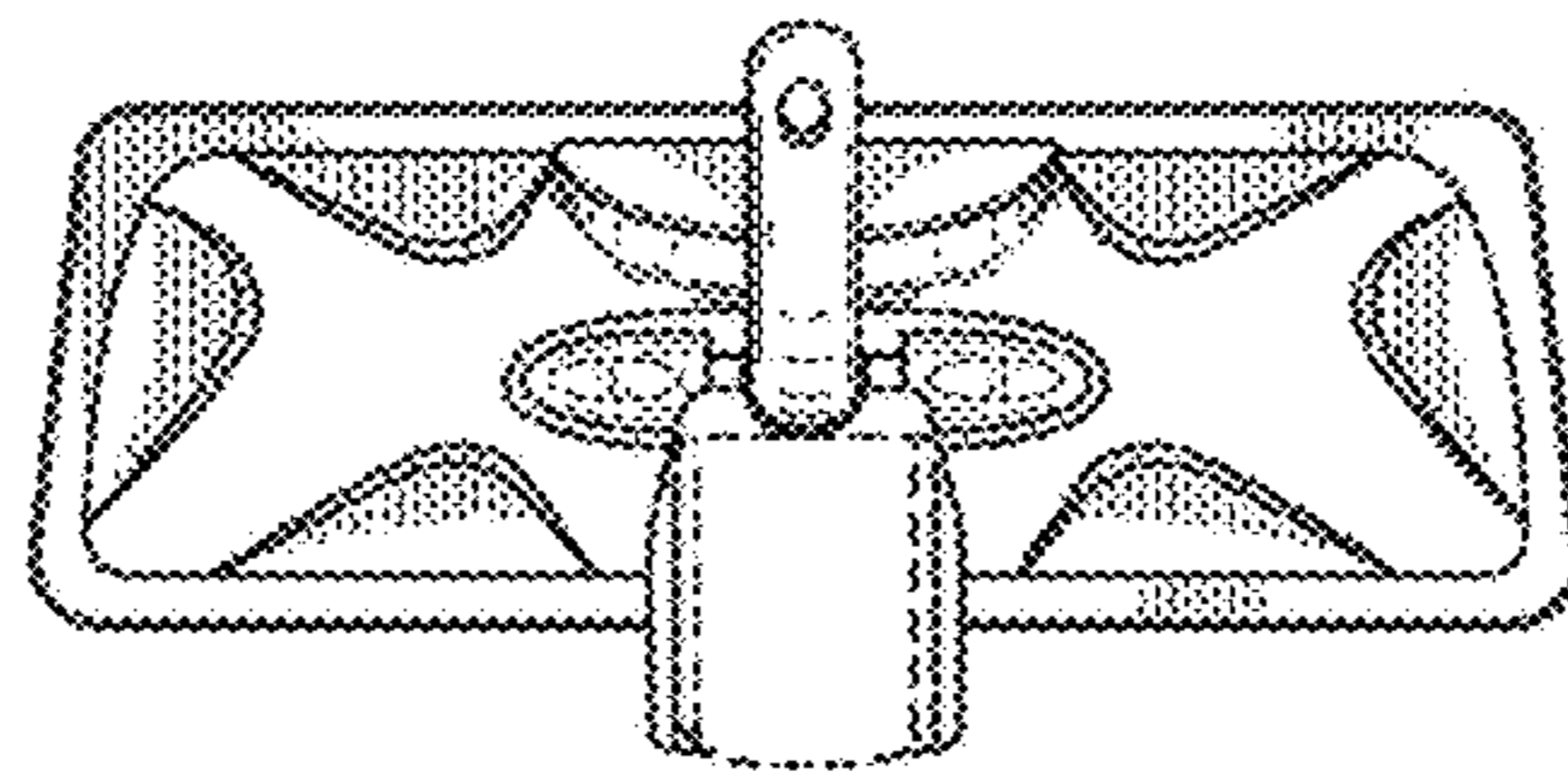


FIG. 6

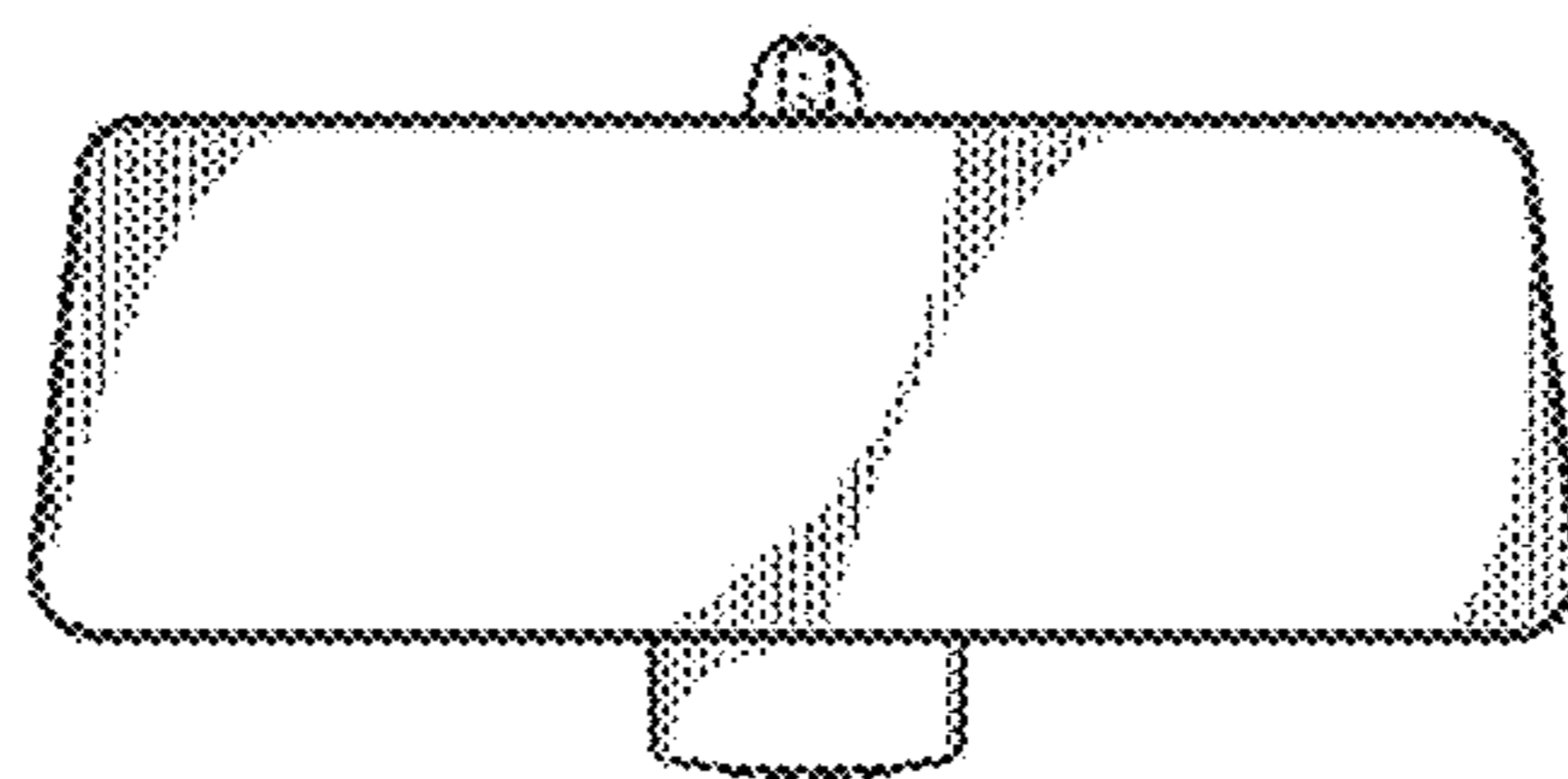


FIG. 7