

US00D866889S

(12) **United States Design Patent**
Lin et al.

(10) **Patent No.:** **US D866,889 S**
(45) **Date of Patent:** **** Nov. 12, 2019**

(54) **VACUUM CLEANER**

(71) Applicant: **Panasonic Intellectual Property Management Co., Ltd., Osaka (JP)**

(72) Inventors: **Jie Lin, Osaka (JP); Teruto Hirota, Osaka (JP); Tatsuhiko Kishi, Osaka (JP); Takayuki Nagata, Osaka (JP); Pinchu Yang, Osaka (JP); Yuki Takaoka, Osaka (JP)**

(73) Assignee: **Panasonic Intellectual Property Management Co., Ltd., Osaka (JP)**

(**) Term: **15 Years**

(21) Appl. No.: **29/645,727**

(22) Filed: **Apr. 27, 2018**

(30) **Foreign Application Priority Data**

Nov. 2, 2017 (JP) 2017-024521

(51) **LOC (12) Cl.** **15-05**

(52) **U.S. Cl.**
USPC **D32/31**

(58) **Field of Classification Search**
USPC D32/21, 31; D13/108–109; 15/319
CPC E04H 4/1654; A47L 2201/00; A47L 2201/02; A47L 2201/04; A47L 2201/06; A47L 9/0461; A47L 9/2805; B25J 9/1694
See application file for complete search history.

(56) **References Cited**

U.S. PATENT DOCUMENTS

D548,411 S * 8/2007 Schroter D32/21
D659,920 S * 5/2012 Lee D32/21
8,239,992 B2 * 8/2012 Schnittman A47L 11/34
15/41.1
D720,103 S * 12/2014 Haug D32/21
D743,646 S * 11/2015 Fjellman D32/21

D744,705 S * 12/2015 Fjellman D32/21
D751,259 S * 3/2016 Fjellman D32/21
D756,577 S * 5/2016 Fjellman D32/21
D766,524 S * 9/2016 Ochi D32/21
D774,259 S * 12/2016 Kim D32/21
D778,515 S * 2/2017 Choi D32/21
D782,760 S * 3/2017 Bu D32/21
D785,259 S 4/2017 Wo et al.
D785,261 S 4/2017 Choi et al.
D785,879 S * 5/2017 Bu D32/21
D798,007 S * 9/2017 Wo D32/21
D798,514 S 9/2017 Vanderstegen-Drake et al.
D807,599 S 1/2018 Nam et al.

(Continued)

Primary Examiner — Ruth McInroy

(74) *Attorney, Agent, or Firm* — Panasonic IP Management; Kerry S. Culpepper

(57) **CLAIM**

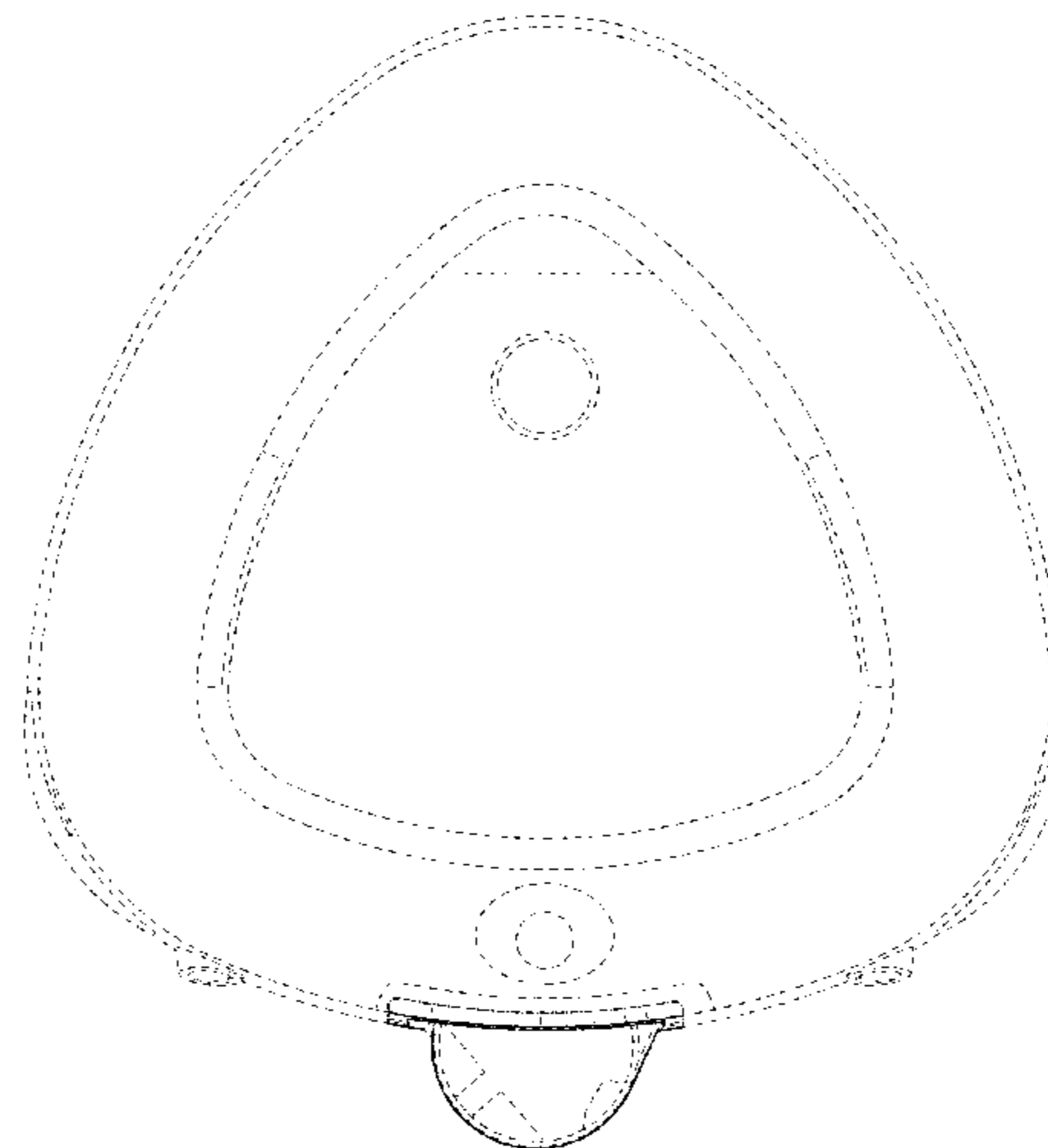
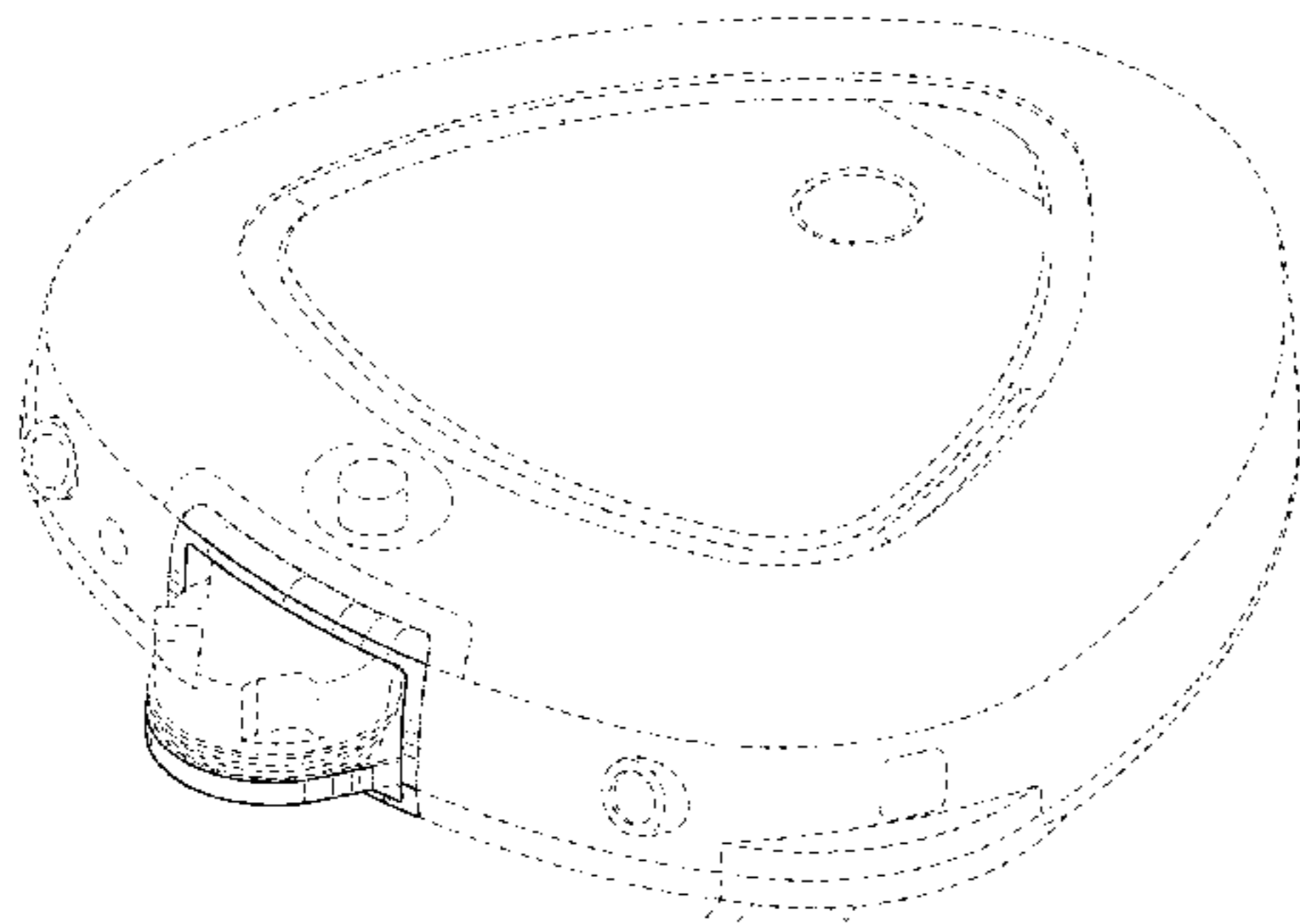
We claim the ornamental design for a vacuum cleaner, as shown and described.

DESCRIPTION

FIG. 1 is a front perspective view of a vacuum cleaner showing our new design;
FIG. 2 is a front view thereof;
FIG. 3 is a rear view thereof;
FIG. 4 is a first side view thereof;
FIG. 5 is a second side view thereof;
FIG. 6 is a top view thereof;
FIG. 7 is a bottom view thereof;
FIG. 8 is a perspective view of the vacuum cleaner with the sensor being positioned inside the body; and,
FIG. 9 is a top view thereof with the sensor being positioned inside the body.

The broken lines in the drawings represent portions of the vacuum cleaner that form no part of the claimed design. Additionally, the dash-dot-dashed lines in the drawings define the boundaries of the claimed design.

1 Claim, 9 Drawing Sheets



(56)

References Cited

U.S. PATENT DOCUMENTS

9,968,233 B2 * 5/2018 Strang A47L 11/4011
9,968,234 B2 * 5/2018 Chao A47L 11/305

* cited by examiner

FIG. 1

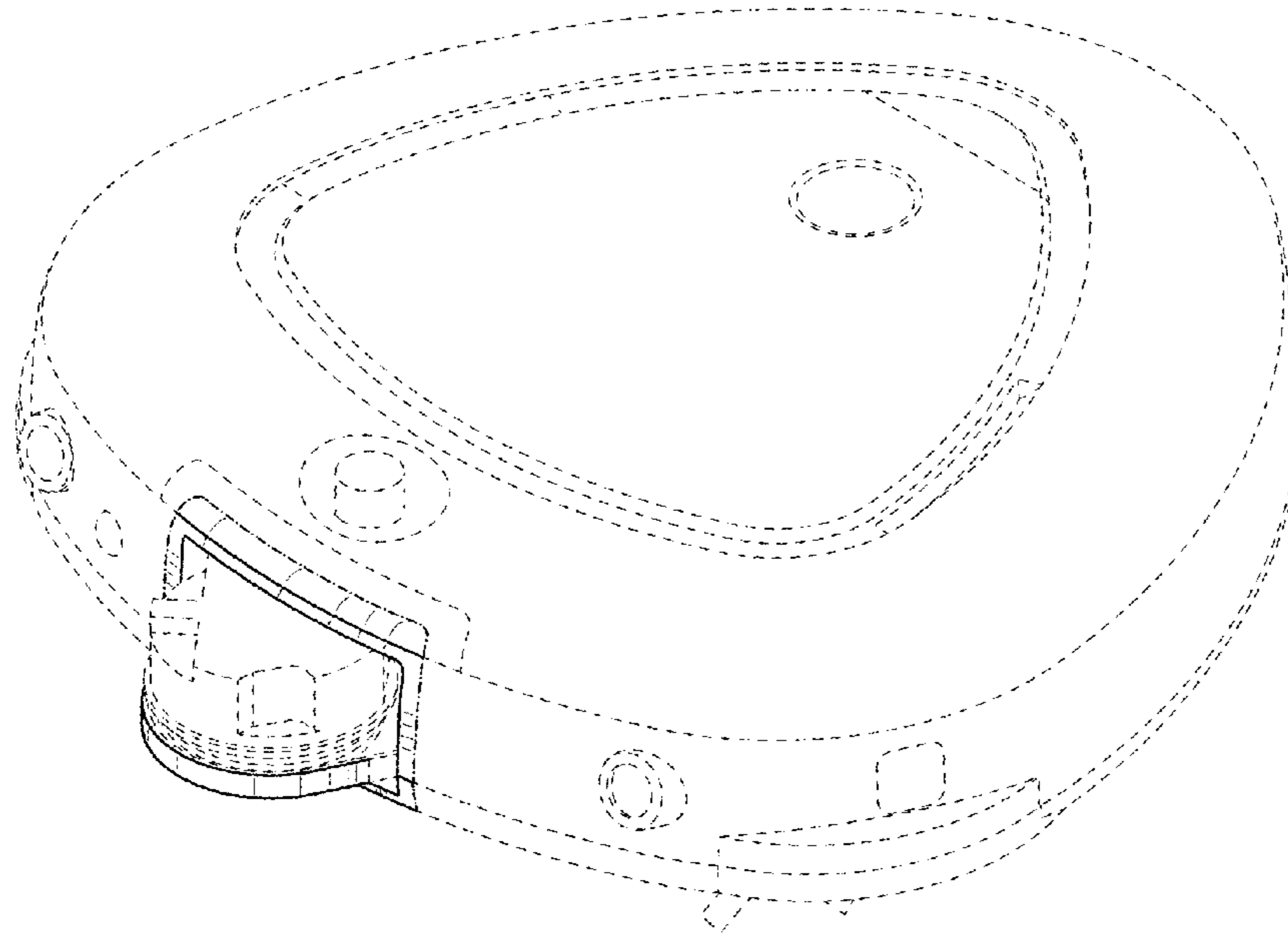


FIG. 2

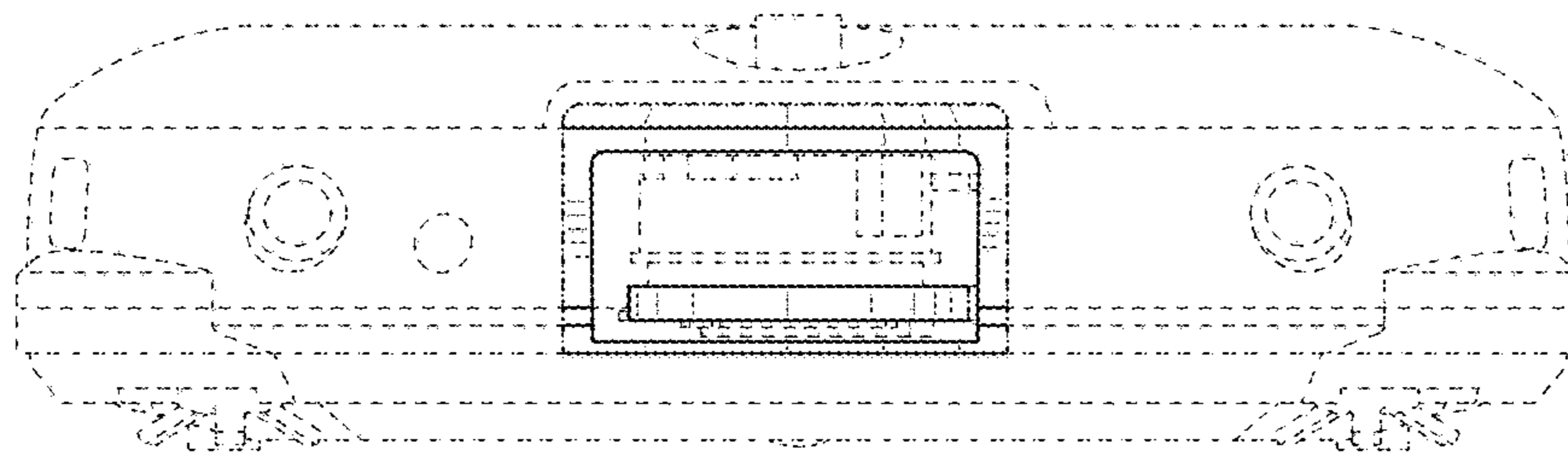


FIG. 3

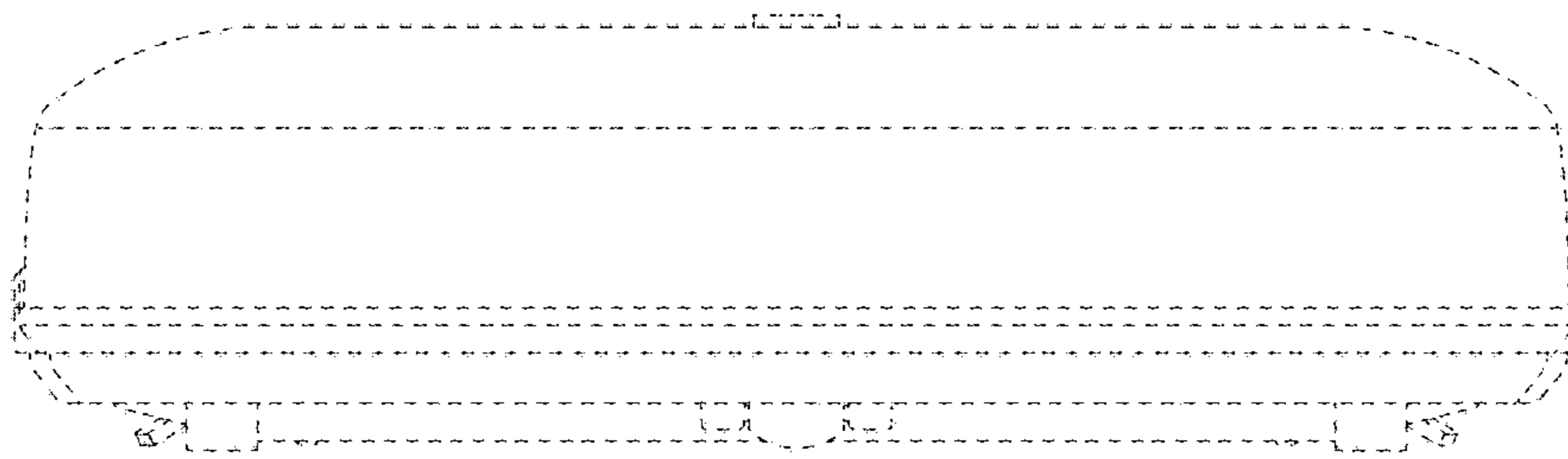


FIG. 4

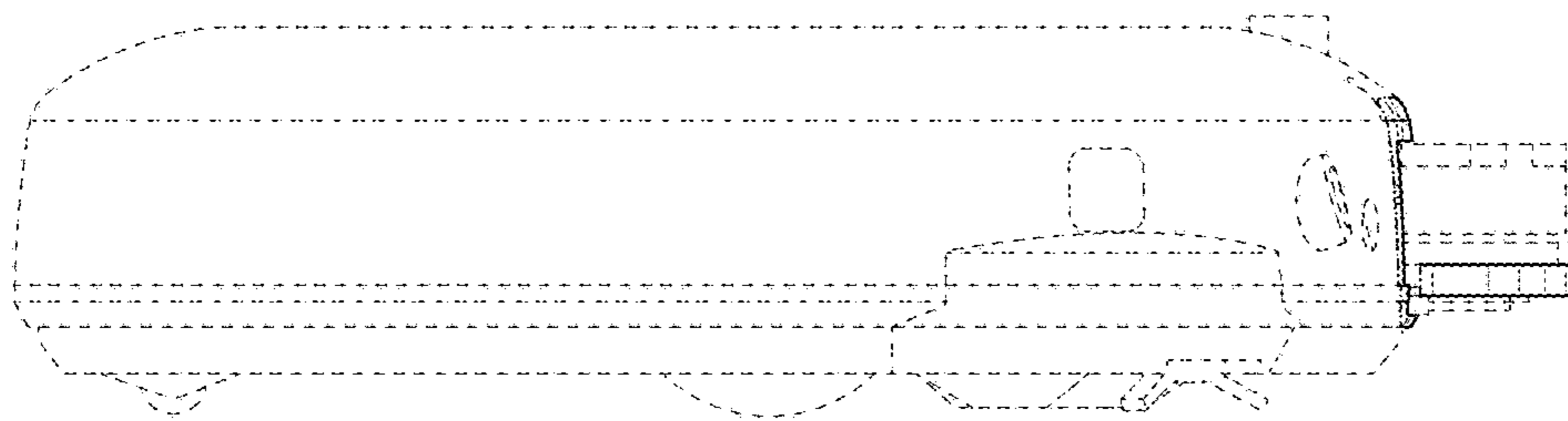


FIG. 5

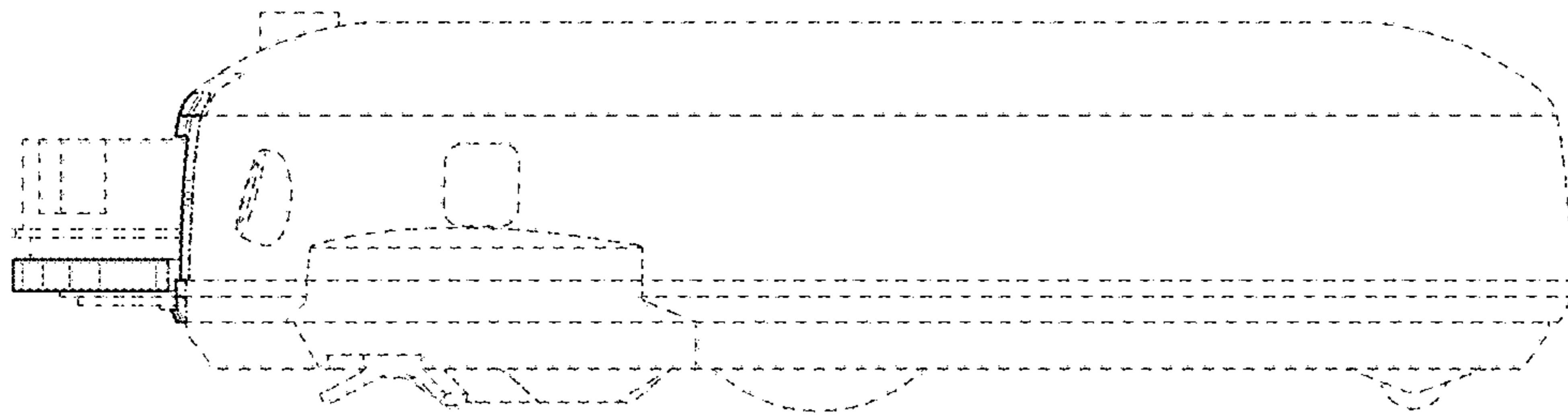


FIG. 6

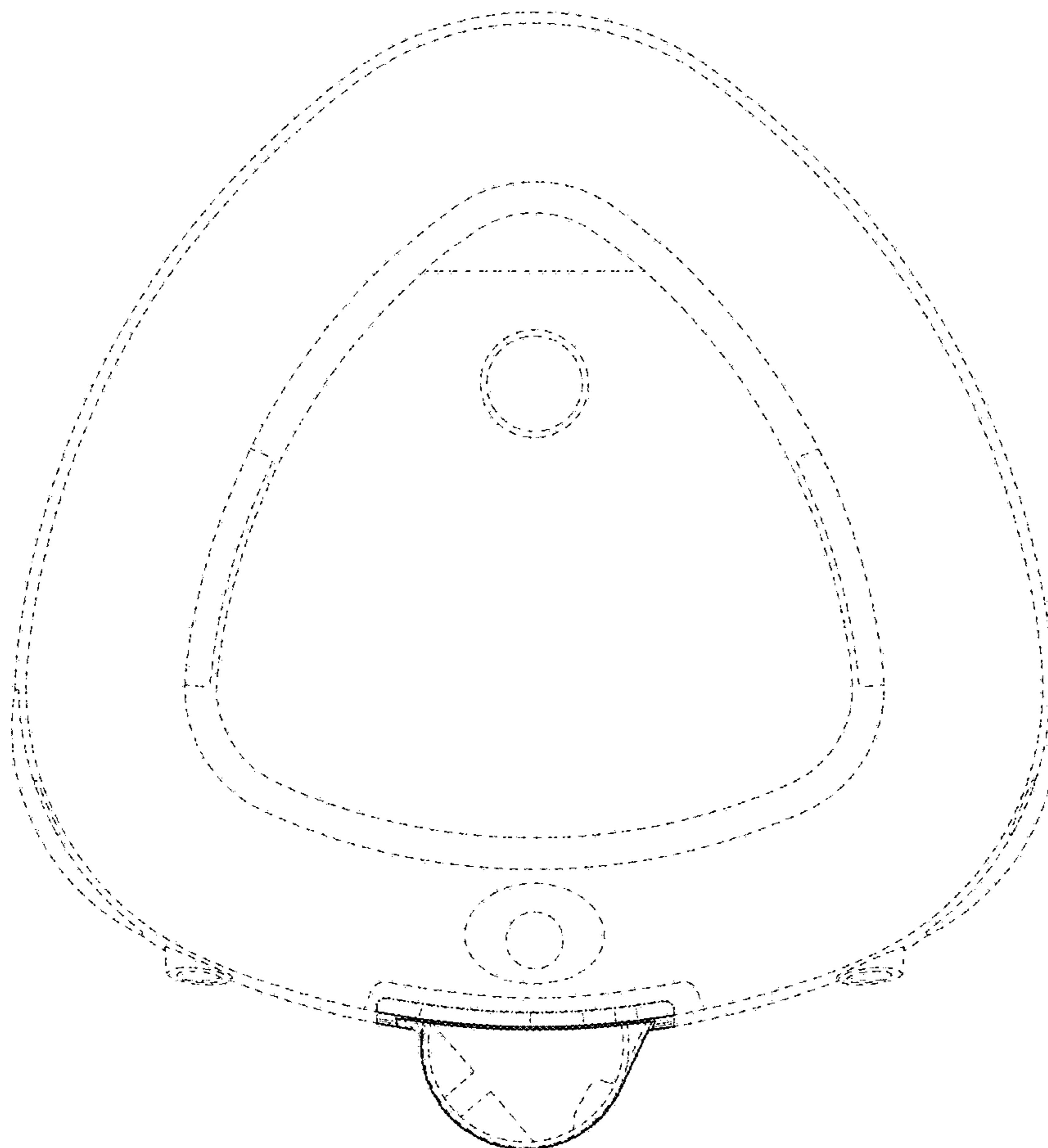


FIG. 7

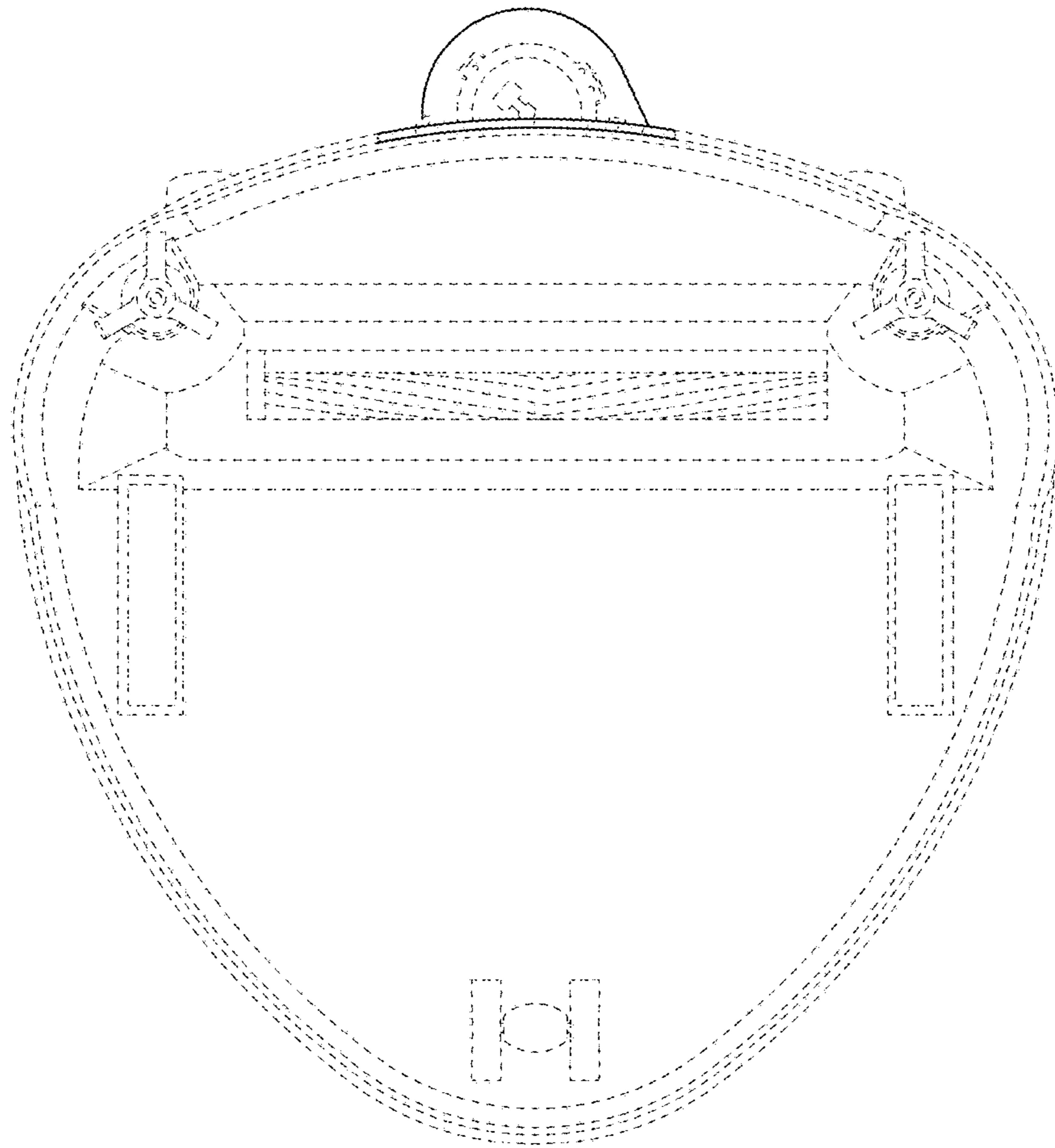


FIG. 8

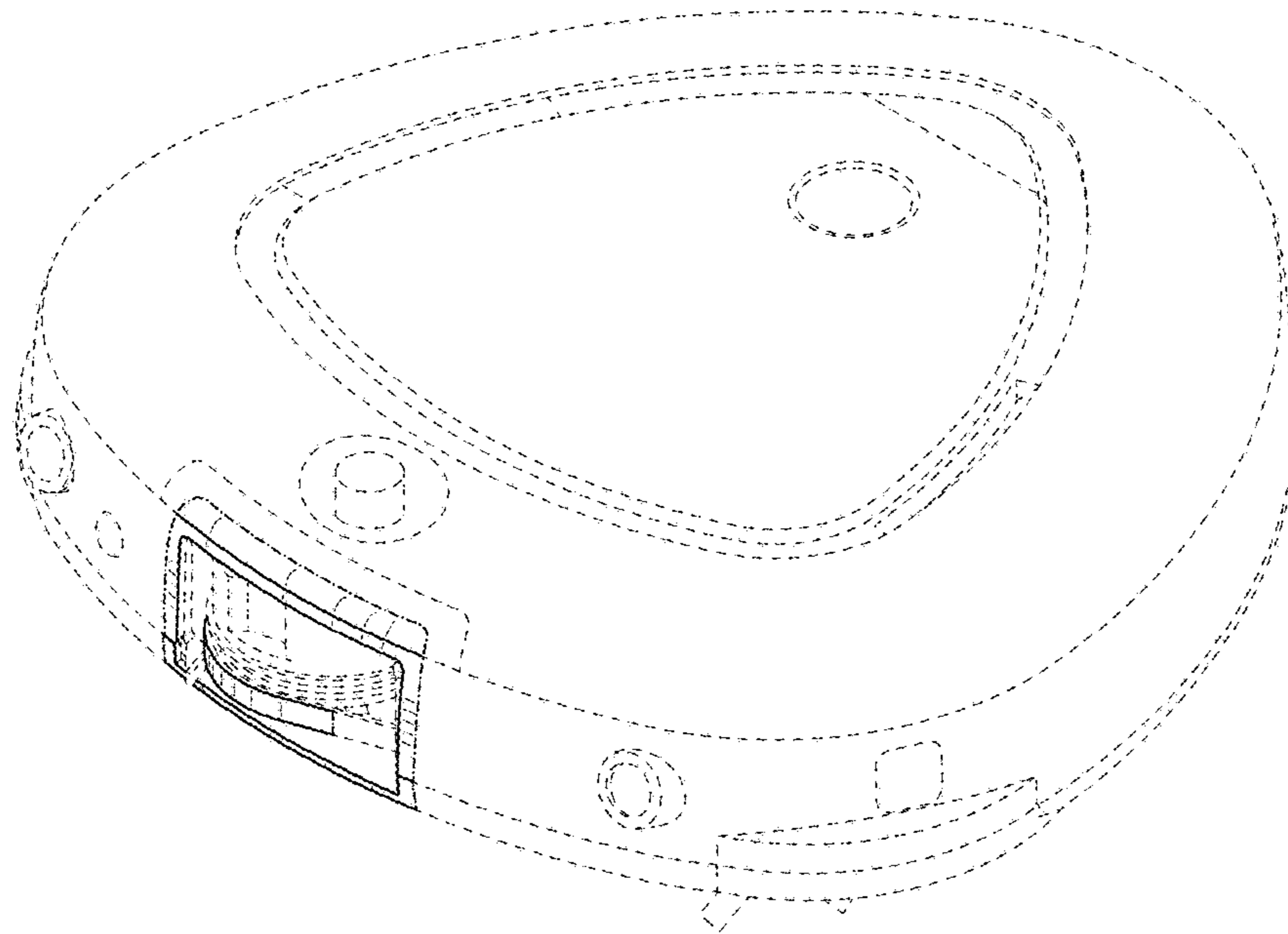


FIG. 9

