

US00D866887S

(12) **United States Design Patent**
Kubasiak et al.

(10) **Patent No.:** **US D866,887 S**

(45) **Date of Patent:** **** Nov. 12, 2019**

(54) **PEDESTAL**

(71) Applicant: **WHIRLPOOL CORPORATION**,
Benton Harbor, MI (US)

(72) Inventors: **Andrew C. Kubasiak**, Saint Joseph,
MI (US); **Jaroslav Ridilla**, Poprad
(SK); **Anna C. Schelling**, Stevensville,
MI (US)

(73) Assignee: **Whirlpool Corporation**, Benton
Harbor, MI (US)

(**) Term: **15 Years**

(21) Appl. No.: **29/630,469**

(22) Filed: **Dec. 21, 2017**

(51) **LOC (12) Cl.** **15-05**

(52) **U.S. Cl.**
USPC **D32/25**

(58) **Field of Classification Search**
USPC D32/1, 5, 6, 8, 10, 11, 25, 29
CPC D06F 31/00; D06F 37/02; D06F 37/10;
D06F 39/125; B08B 3/12
See application file for complete search history.

(56) **References Cited**

U.S. PATENT DOCUMENTS

3,091,954 A	6/1963	Billings	
3,699,785 A	10/1972	Waugh	
3,757,543 A	9/1973	Braga	
4,085,870 A	4/1978	Von Holdt	
4,417,457 A	11/1983	Brenner	
5,473,914 A	12/1995	Pyo	
5,628,430 A	5/1997	Bathe	
5,782,109 A	7/1998	Spriggs	
6,109,480 A	8/2000	Monsrud	
6,401,499 B1	6/2002	Clark	
D474,566 S *	5/2003	Baldwin	D32/25
D504,259 S *	4/2005	Arceta	D6/705.5

D569,065 S *	5/2008	Ritterling	D32/25
7,707,858 B2	5/2010	Jeon	
D617,965 S *	6/2010	Grutzke	D32/25
D620,211 S *	7/2010	Shail	D32/25
7,777,502 B2	8/2010	Grosser	
7,805,964 B2	10/2010	Park	
7,843,200 B2	11/2010	Klopfer	
D645,623 S *	9/2011	Helot	D32/25
8,056,374 B2	11/2011	Hoppe	
8,056,747 B2	11/2011	Vitan	
8,166,781 B2	5/2012	Lee	
8,322,169 B2	12/2012	Kendall	
D673,742 S	1/2013	Eng	
8,368,805 B2	2/2013	Kim	
8,555,678 B2	10/2013	Lee et al.	
8,584,492 B2	11/2013	Seo	
D704,909 S *	5/2014	Jeon	D32/25
8,931,310 B2	1/2015	Risen	
8,931,667 B2	1/2015	Smith	

(Continued)

FOREIGN PATENT DOCUMENTS

AU	2008202222 AA	12/2008
BR	202013015525 U2	8/2015

(Continued)

Primary Examiner — R. Johnson

(74) *Attorney, Agent, or Firm* — McGarry Bair PC

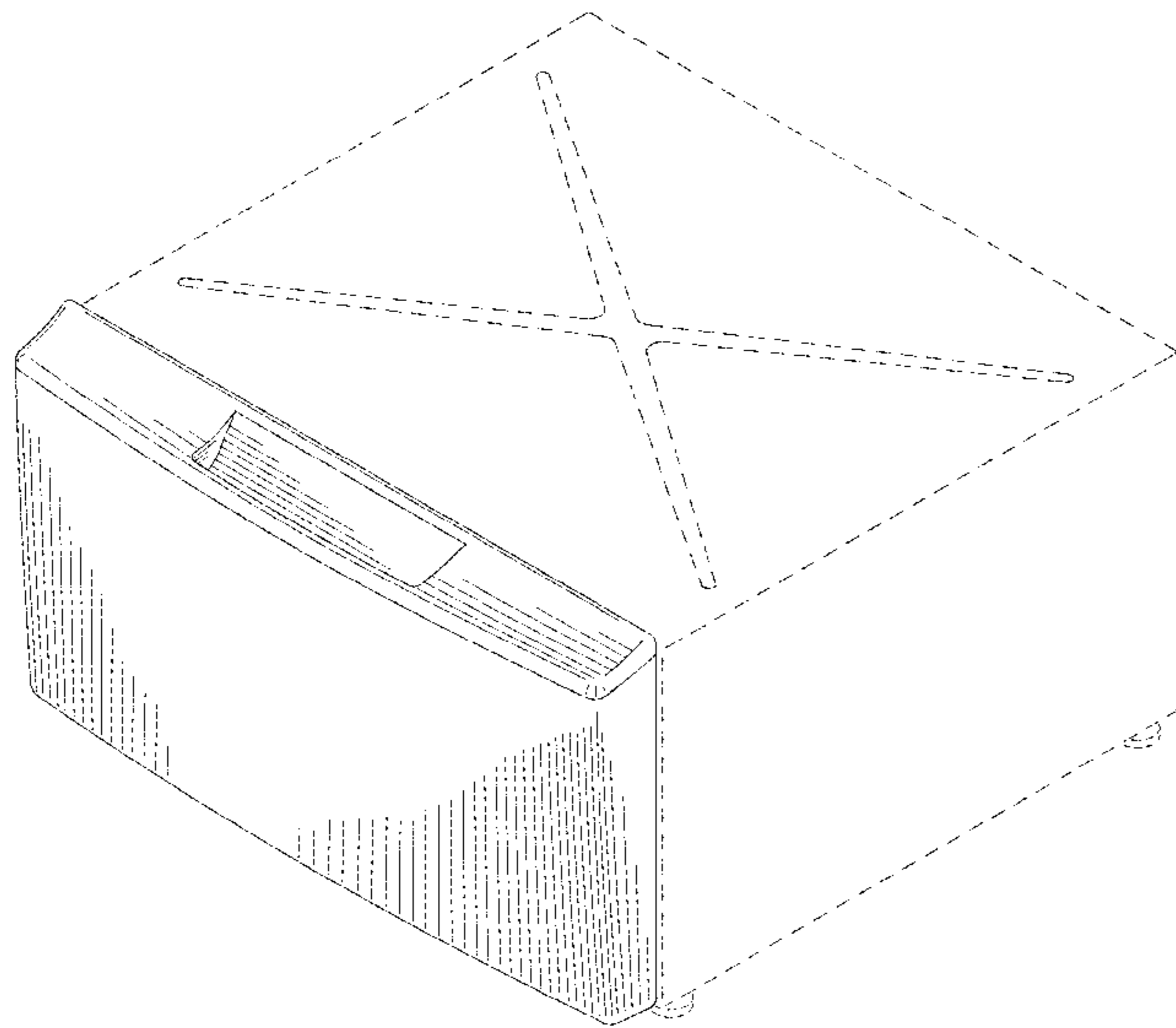
(57) **CLAIM**

The ornamental design for a pedestal, as shown and described.

DESCRIPTION

FIG. 1 is a top perspective view of a pedestal;
FIG. 2 is a front view of the pedestal of FIG. 1;
FIG. 3 is a left side view of the pedestal of FIG. 1; and,
FIG. 4 is a right side view of the pedestal of FIG. 1.
Portions of the drawings shown in broken lines form no part
of the claimed design.

1 Claim, 4 Drawing Sheets



(56)

References Cited

U.S. PATENT DOCUMENTS

9,133,576 B2 9/2015 Lee
 9,217,218 B2 12/2015 Kim
 D773,132 S 11/2016 Ha
 D773,133 S 11/2016 Ha
 9,487,904 B2 11/2016 Kim
 9,506,183 B2 11/2016 Del Pos
 9,615,468 B2 4/2017 Moncrieff
 9,663,886 B2 5/2017 Mackay
 D818,220 S * 5/2018 Yoo D32/6
 D828,966 S * 9/2018 Chung D32/6
 D835,366 S * 12/2018 Ha D32/6
 D835,367 S * 12/2018 Ha D32/6
 D848,692 S * 5/2019 Salazar D32/25
 2006/0053842 A1 3/2006 Je
 2008/0028802 A1 2/2008 Jordan
 2009/0126123 A1 5/2009 Kim
 2009/0288453 A1 11/2009 Lee
 2010/0115709 A1 5/2010 Kim
 2011/0030428 A1 2/2011 Han
 2011/0174021 A1 7/2011 Lee
 2012/0017381 A1 1/2012 Hong
 2012/0144872 A1 6/2012 Kappler
 2012/0174632 A1 7/2012 Sung
 2013/0047680 A1 2/2013 Han
 2013/0219972 A1 8/2013 Mora
 2013/0277353 A1 10/2013 Joseph
 2014/0041418 A1 2/2014 Lee et al.
 2014/0076008 A1 3/2014 Jo
 2014/0076009 A1 3/2014 Kim
 2015/0059418 A1 3/2015 Lee
 2015/0252513 A1 9/2015 Seo
 2015/0252514 A1 9/2015 Seo
 2015/0354126 A1 12/2015 Lee
 2016/0010267 A1 1/2016 Kim
 2016/0017531 A1 1/2016 Jo
 2016/0017532 A1 1/2016 Jo
 2016/0069012 A1 3/2016 Kim
 2016/0186370 A1 6/2016 Kim
 2016/0237613 A1 8/2016 Lee
 2016/0355969 A1 12/2016 Kim
 2017/0121890 A1 5/2017 Kwon

FOREIGN PATENT DOCUMENTS

CN 1746413 B 10/2010
 CN 101298733 B 10/2010
 CN 204509793 U 7/2015
 CN 102345223 B 11/2015
 CN 204939890 U 1/2016
 CN 105671877 A 6/2016
 CN 105803733 A 7/2016
 DE 2424393 A1 12/1975

DE 8033429 U1 5/1982
 DE 3242382 A1 5/1984
 DE 3246127 A1 6/1984
 DE 3247529 A1 6/1984
 DE 102008041439 A1 2/2010
 DE 102013102733 A1 9/2014
 DE 202013012060 U1 3/2015
 DE 202013012059 U1 4/2015
 EP 0077463 A2 4/1983
 EP 0096260 A1 12/1983
 EP 0268451 A2 5/1988
 EP 0379950 B1 8/1992
 EP 0597513 A1 5/1994
 EP 2251480 A1 11/2010
 EP 2304091 A1 4/2011
 EP 2405052 A1 1/2012
 EP 2708633 A1 3/2014
 EP 2708634 A1 3/2014
 EP 2708635 A1 3/2014
 EP 2719816 A1 4/2014
 EP 2743393 A1 6/2014
 EP 2784205 A1 10/2014
 EP 2479335 B1 12/2014
 EP 2857569 A1 4/2015
 EP 2873764 A1 5/2015
 EP 2894249 A1 7/2015
 EP 2905369 A1 8/2015
 EP 2994565 A1 3/2016
 EP 1884584 B1 4/2016
 EP 3056599 A1 8/2016
 EP 3164537 A1 5/2017
 FR 2244859 A1 4/1975
 FR 2646674 A3 11/1990
 GB 2134612 A1 8/1984
 GB 2147613 A1 5/1985
 GB 2214524 A1 9/1989
 JP 63043698 A2 2/1988
 JP 7227495 A2 8/1995
 JP 10033888 A2 2/1998
 JP 1553160 S 7/2016
 JP 1553162 S 7/2016
 KR 100556791 B1 3/2006
 KR 20080092197 A 10/2008
 KR 100873681 B1 12/2008
 KR 20100066909 A 6/2010
 KR 101481508 B1 1/2015
 KR 101481520 B1 1/2015
 KR 101482109 B1 1/2015
 KR 20150025084 A 3/2015
 KR 101590012 B1 2/2016
 WO 15133796 A1 9/2015
 WO 15133798 A1 9/2015
 WO 15133799 A1 9/2015
 WO 15167073 A1 11/2015
 WO 16088912 A1 6/2016

* cited by examiner

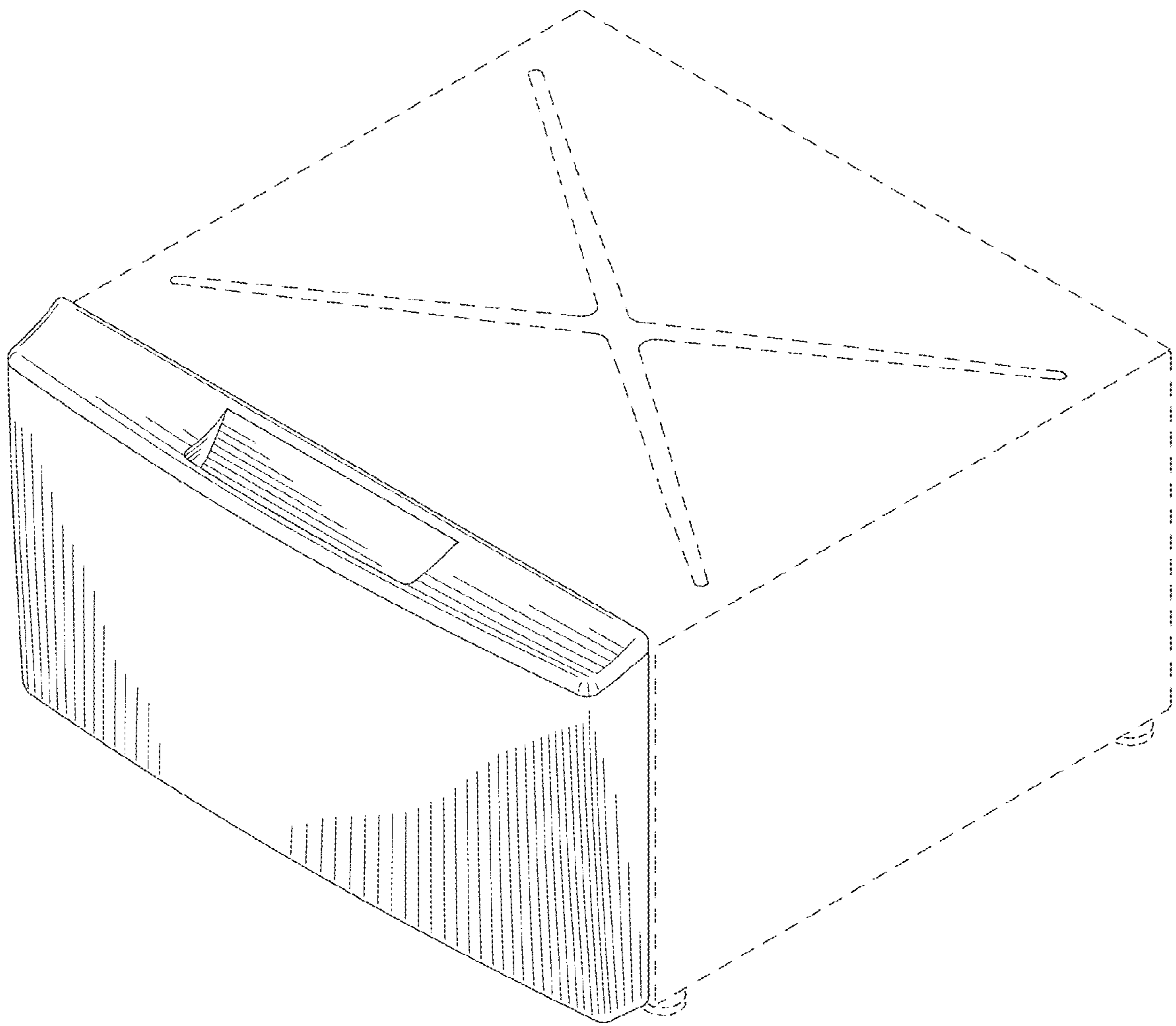


FIG. 1

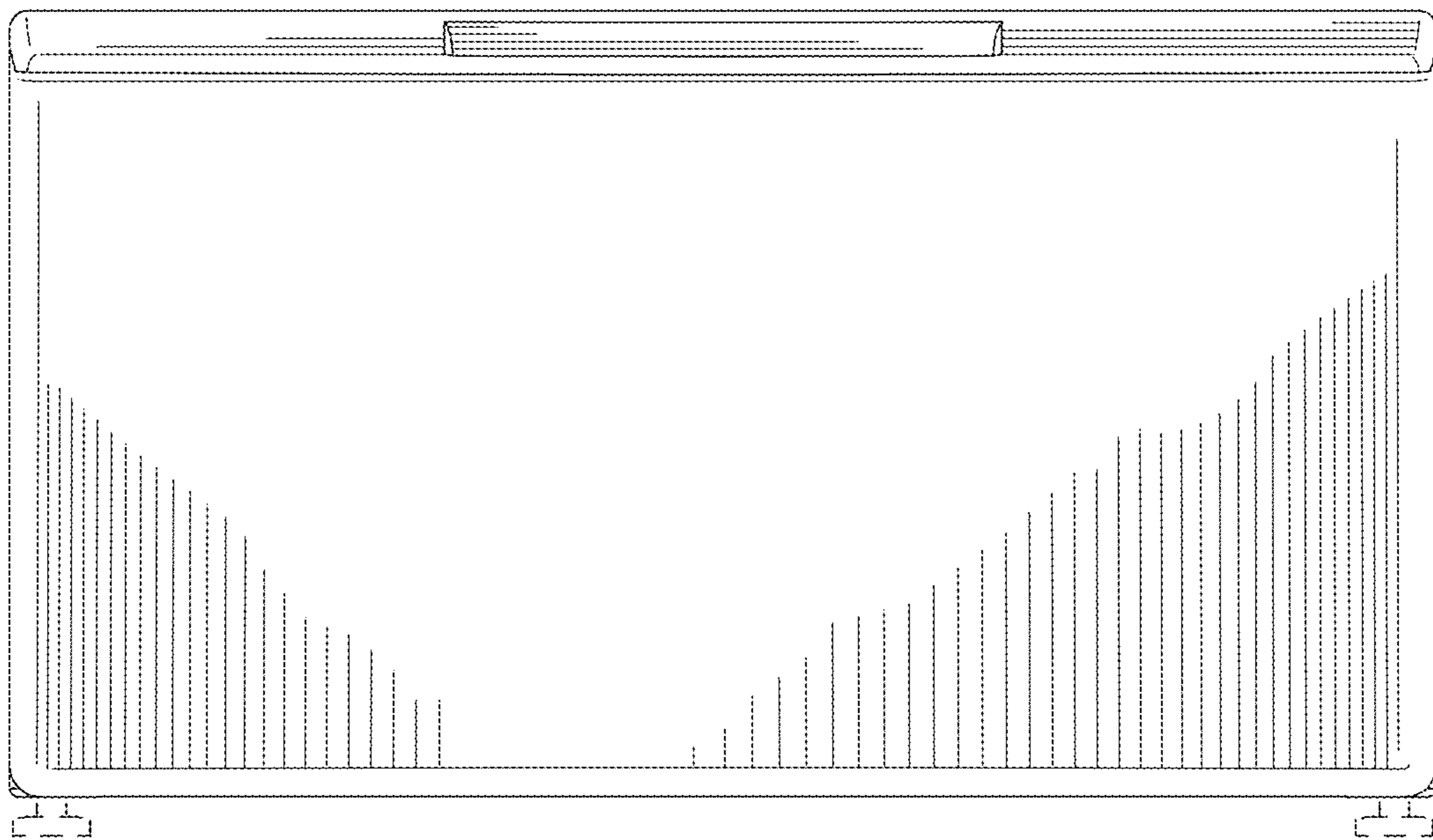


FIG.2



FIG.3

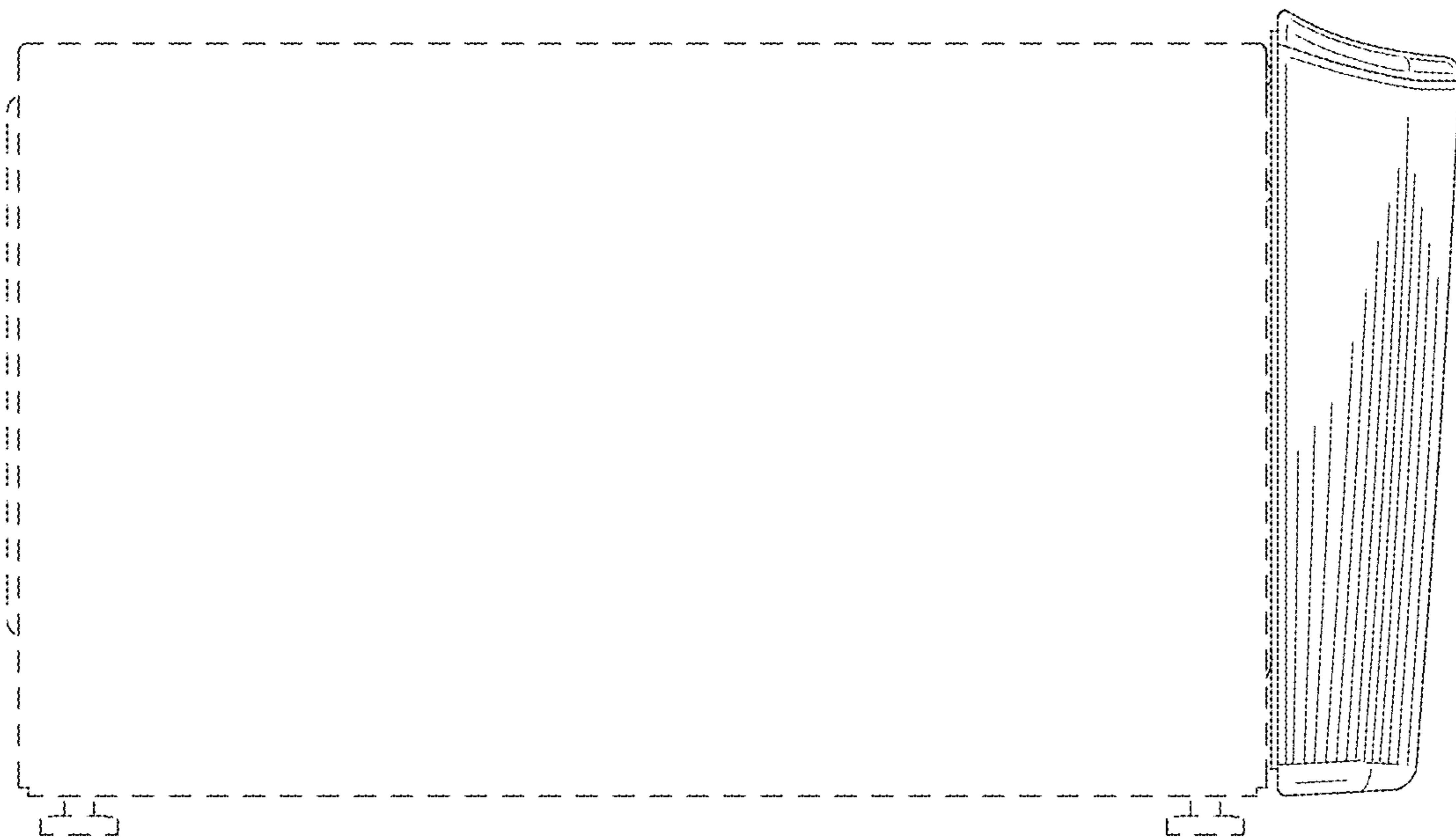


FIG. 4