



US00D866885S

(12) **United States Design Patent**
Lee et al.

(10) **Patent No.:** **US D866,885 S**

(45) **Date of Patent:** **** Nov. 12, 2019**

(54) **WASHING MACHINE**

(71) Applicant: **Samsung Electronics Co., Ltd.**,
Suwon-si (KR)

(72) Inventors: **Dae-Kyun Lee**, Suwon-si (KR);
Hwa-Young Shin, Anyang-si (KR)

(73) Assignee: **Samsung Electronics Co., Ltd.**,
Suwon-si (KR)

(**) Term: **15 Years**

(21) Appl. No.: **29/617,505**

(22) Filed: **Sep. 14, 2017**

(30) **Foreign Application Priority Data**

Mar. 30, 2017 (KR) 30-2017-0014822
Mar. 30, 2017 (KR) 30-2017-0014823

(51) **LOC (12) Cl.** **15-05**

(52) **U.S. Cl.**
USPC **D32/6**

(58) **Field of Classification Search**
USPC D32/1, 5, 6, 8, 10, 11, 25, 29
CPC D06F 39/045; D06F 29/00; D06F 29/005;
D06F 25/00; D06F 39/022; D06F 33/02;
D06F 2204/065; D06F 35/006
See application file for complete search history.

(56) **References Cited**

U.S. PATENT DOCUMENTS

D422,762 S * 4/2000 Tsuda D32/6
D769,553 S * 10/2016 Lee D32/6
D769,555 S * 10/2016 Lee D32/6
D770,103 S * 10/2016 Ha D32/6
D770,697 S * 11/2016 Lee D32/6
D770,698 S * 11/2016 Lee D32/6
D808,094 S * 1/2018 Ha D32/6

D809,221 S * 1/2018 Kim D32/6
D817,568 S * 5/2018 Ha D32/6
D819,281 S * 5/2018 Yoon D32/6
D825,867 S * 8/2018 Yoon D32/6
D826,489 S * 8/2018 Yoon D32/6
D827,227 S * 8/2018 Ha D32/6
D832,534 S * 10/2018 Ha D32/6
D834,265 S * 11/2018 Kim D32/6
D835,865 S * 12/2018 Lee D32/6
D836,263 S * 12/2018 Bixby D32/6
D836,265 S * 12/2018 Kim D32/6
D836,860 S * 12/2018 Ha D32/6

(Continued)

Primary Examiner — Michelle E. Wilson

(74) *Attorney, Agent, or Firm* — NSIP Law

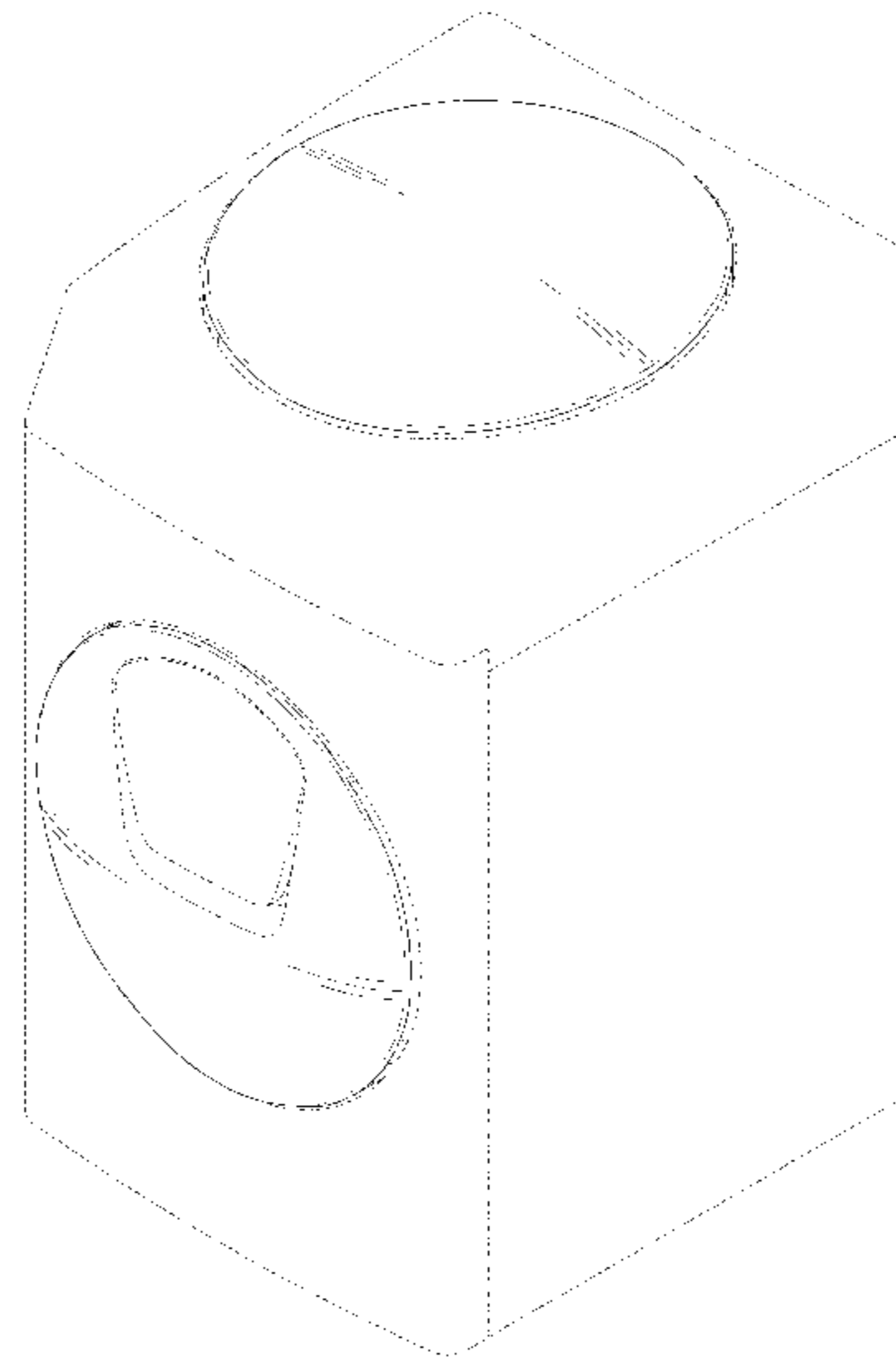
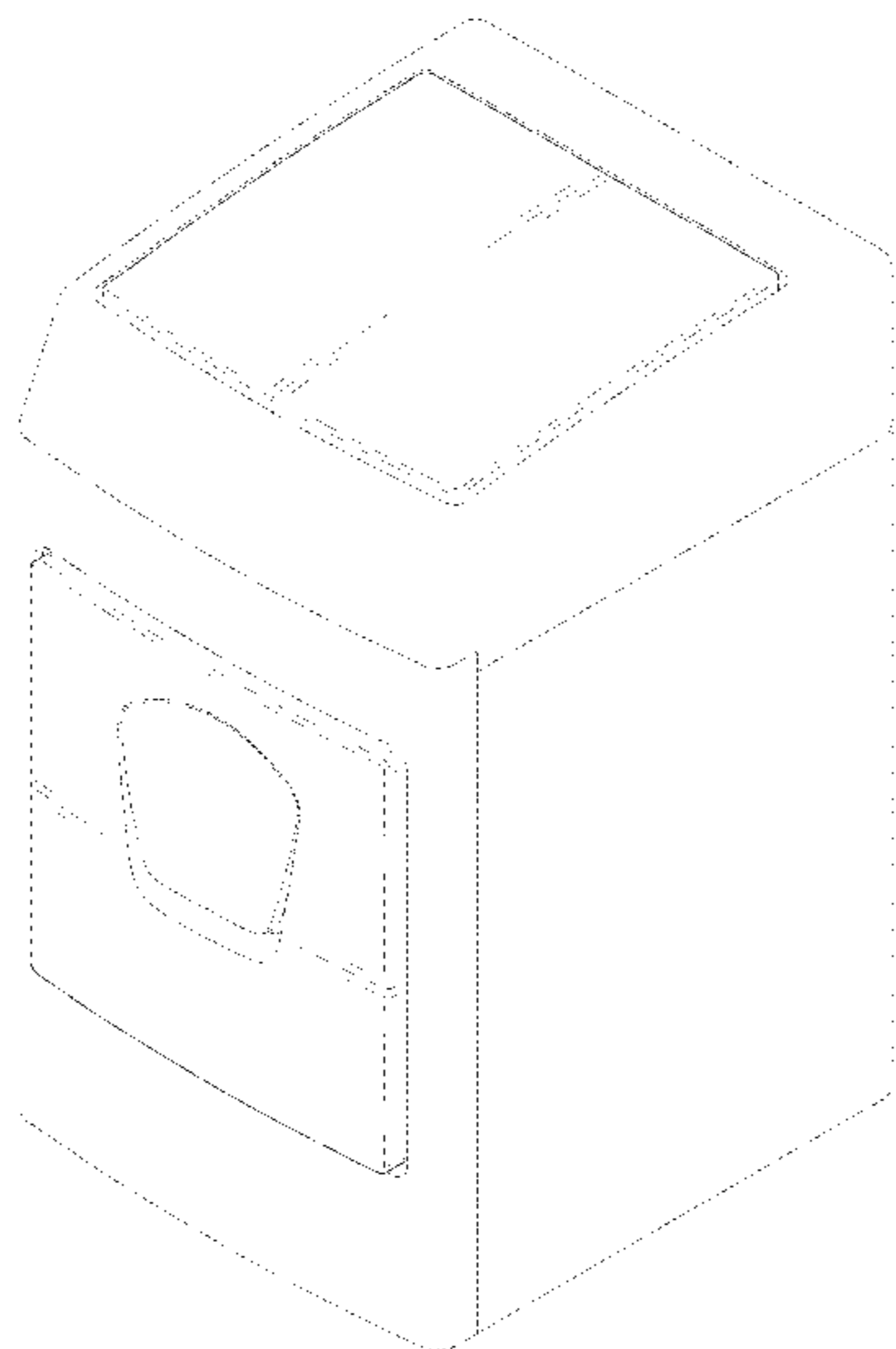
(57) **CLAIM**

We claim the ornamental design for a washing machine, as shown and described.

DESCRIPTION

FIG. 1 is a front perspective view of a first embodiment of a washing machine showing our new design;
FIG. 2 is a front elevational view thereof;
FIG. 3 is a rear elevational view thereof;
FIG. 4 is a left-side elevational view thereof;
FIG. 5 is a right-side elevational view thereof;
FIG. 6 is a top plan view thereof;
FIG. 7 is a bottom plan view thereof;
FIG. 8 is a front perspective view of a second embodiment of a washing machine showing our new design;
FIG. 9 is a front elevational view thereof;
FIG. 10 is a rear elevational view thereof;
FIG. 11 is a left-side elevational view thereof;
FIG. 12 is a right-side elevational view thereof;
FIG. 13 is a top plan view thereof; and,
FIG. 14 is a bottom plan view thereof.
The broken lines in the figures show portions of the washing machine which form no part of the claimed design.

1 Claim, 14 Drawing Sheets



(56)

References Cited

U.S. PATENT DOCUMENTS

D838,063 S *	1/2019	Ha	D32/6
D848,091 S *	5/2019	Yang	D32/6
D850,033 S *	5/2019	Yoon	D32/6
D850,034 S *	5/2019	Yoon	D32/6

* cited by examiner

FIG. 1

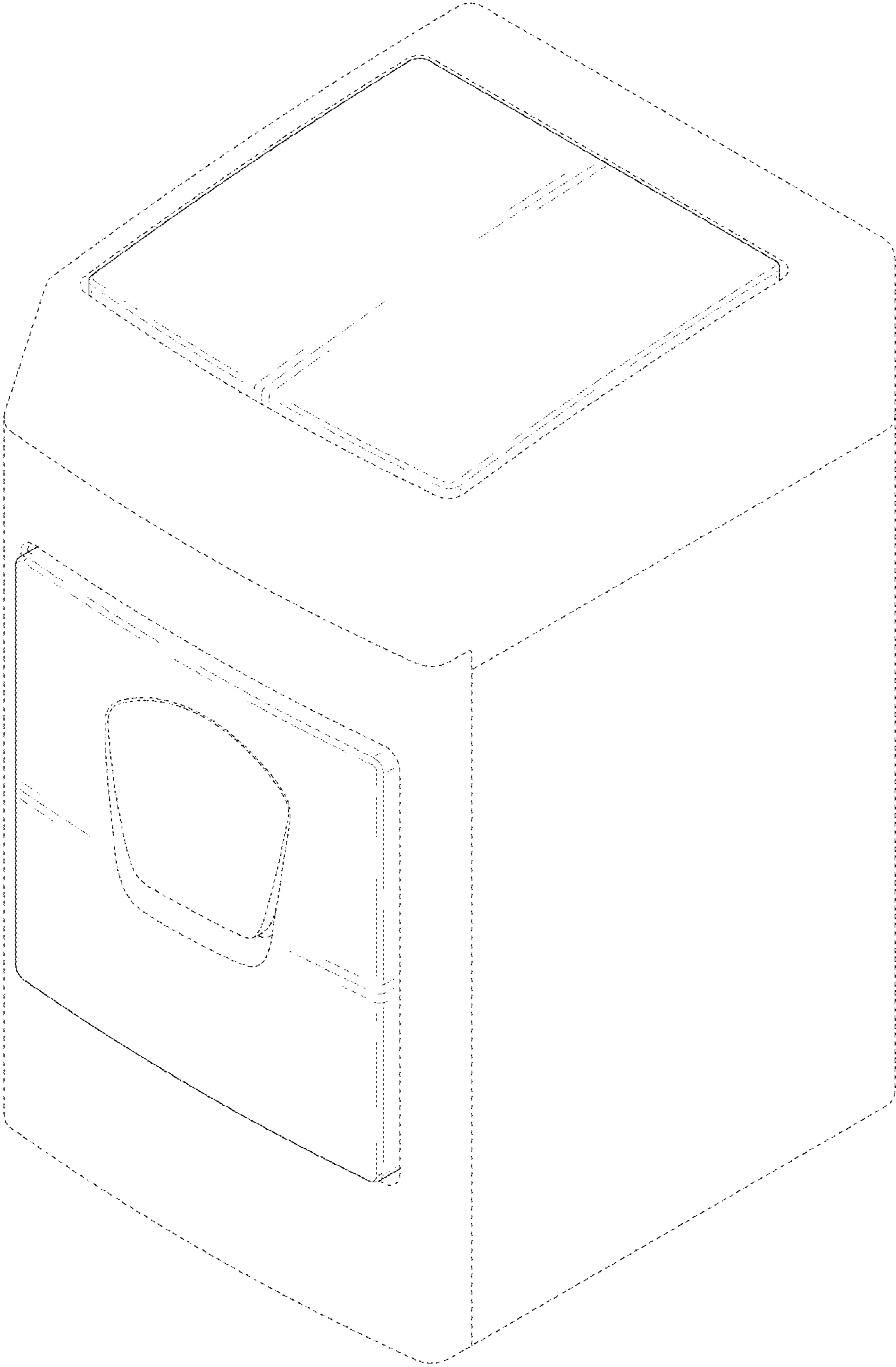


FIG. 2

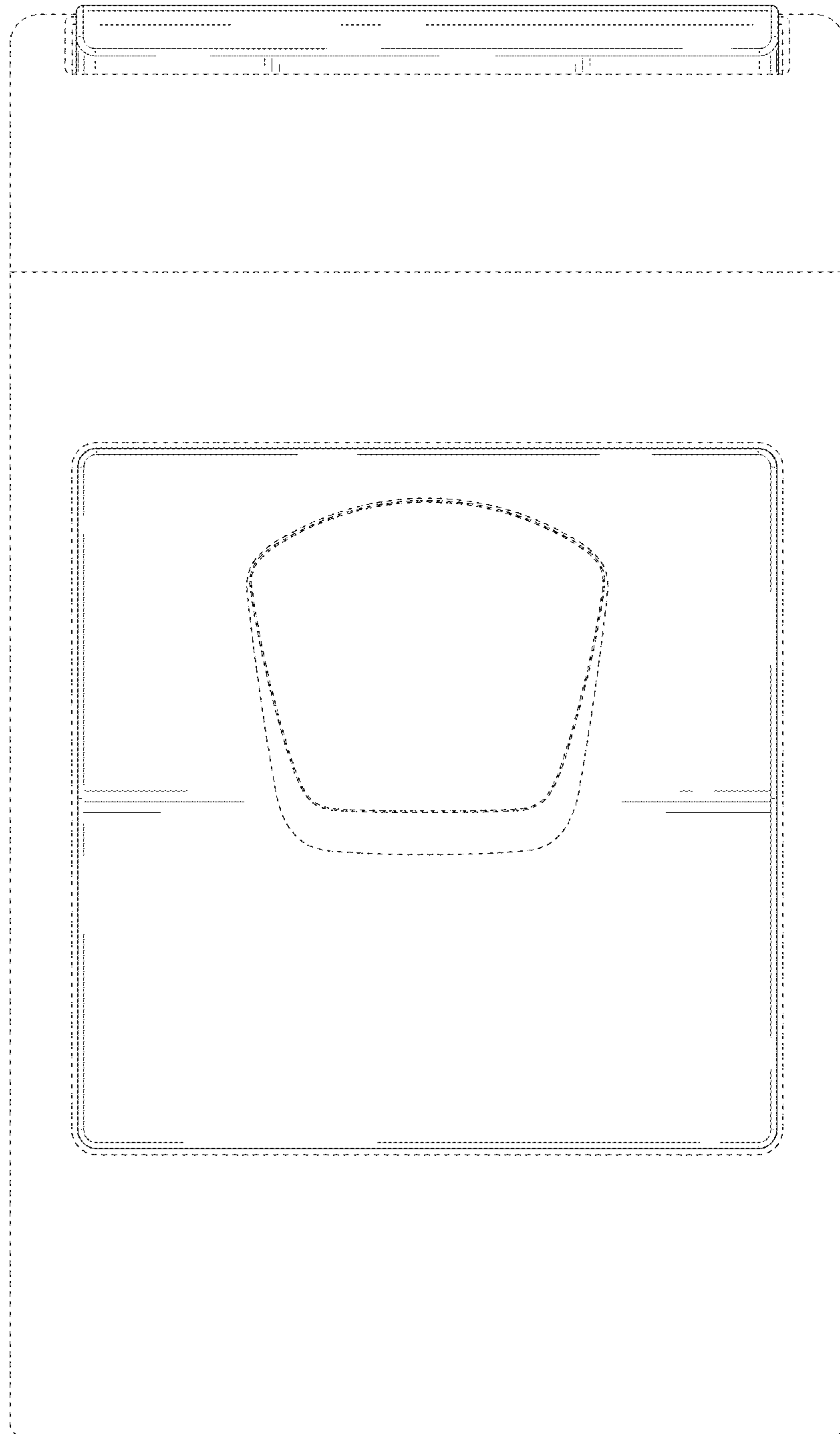


FIG. 3



FIG. 4

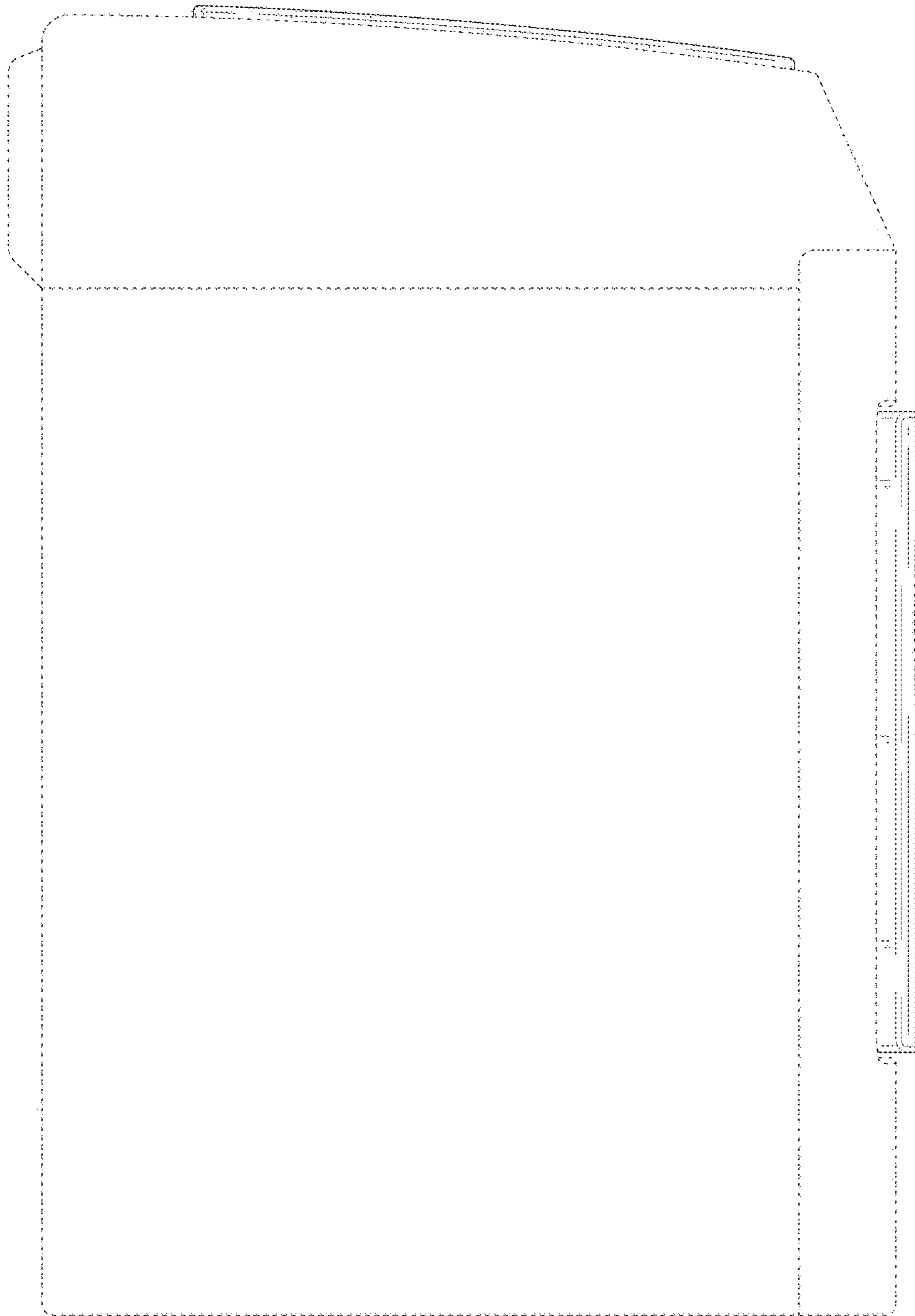


FIG. 5

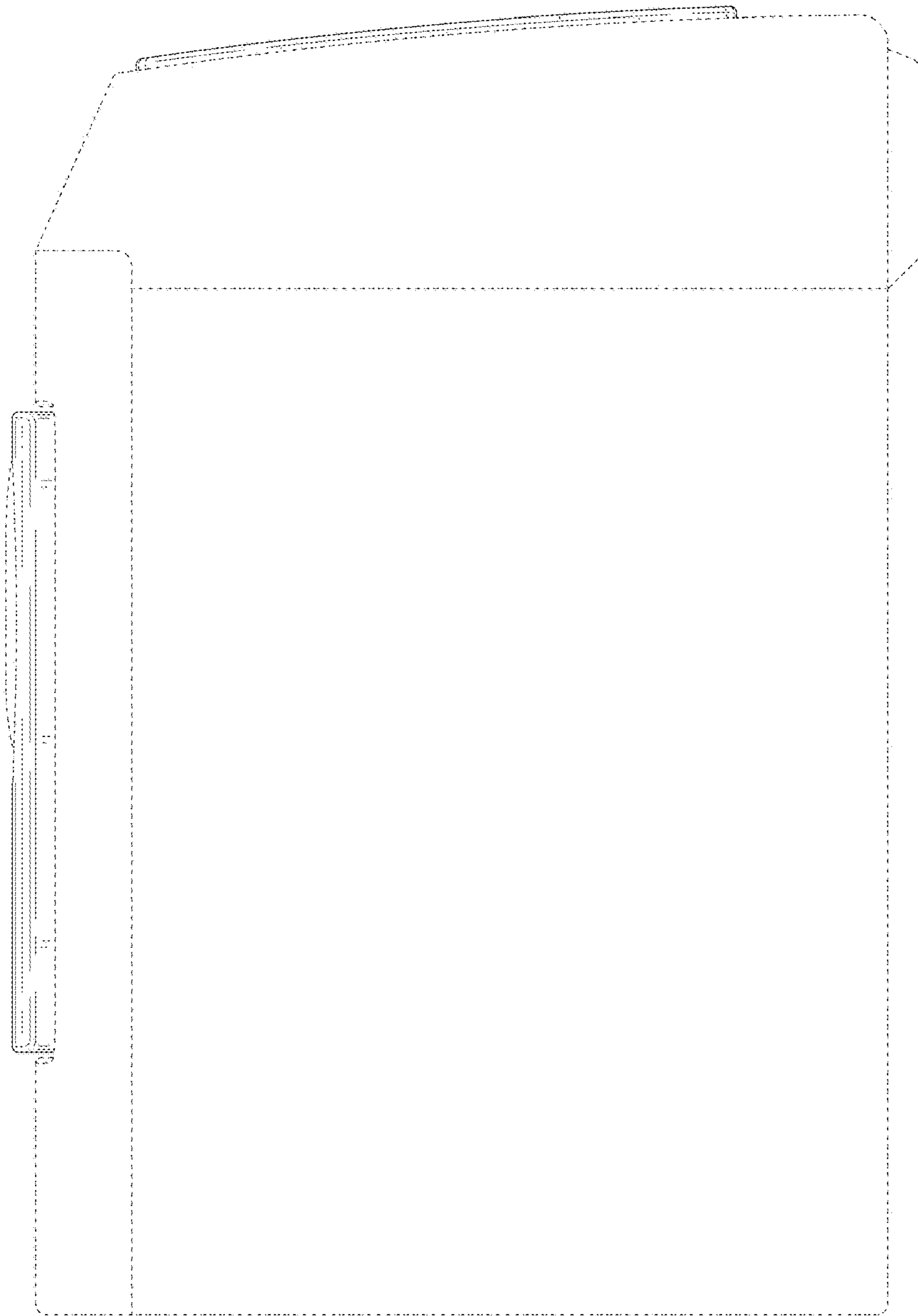


FIG. 6

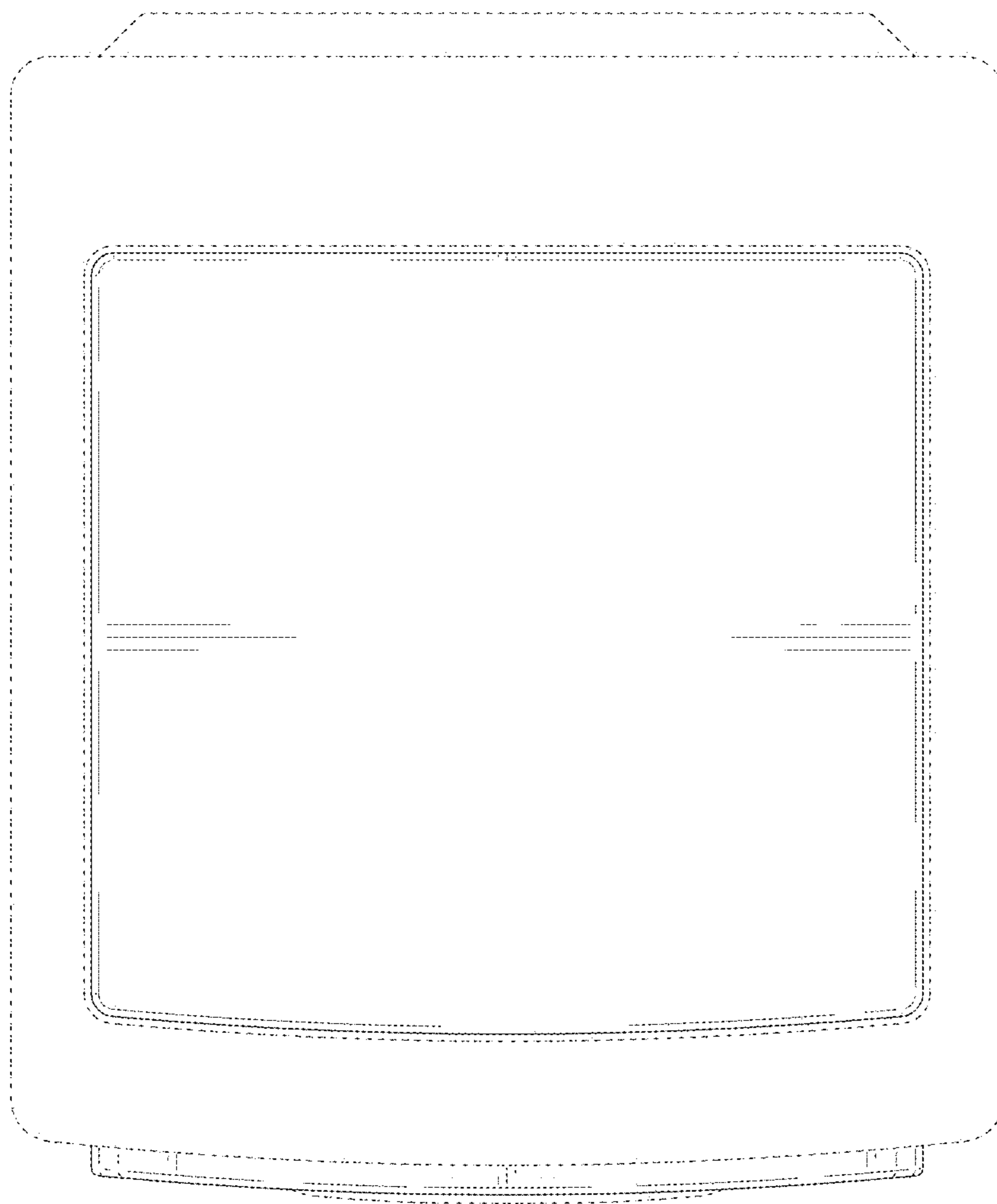


FIG. 7



FIG. 8

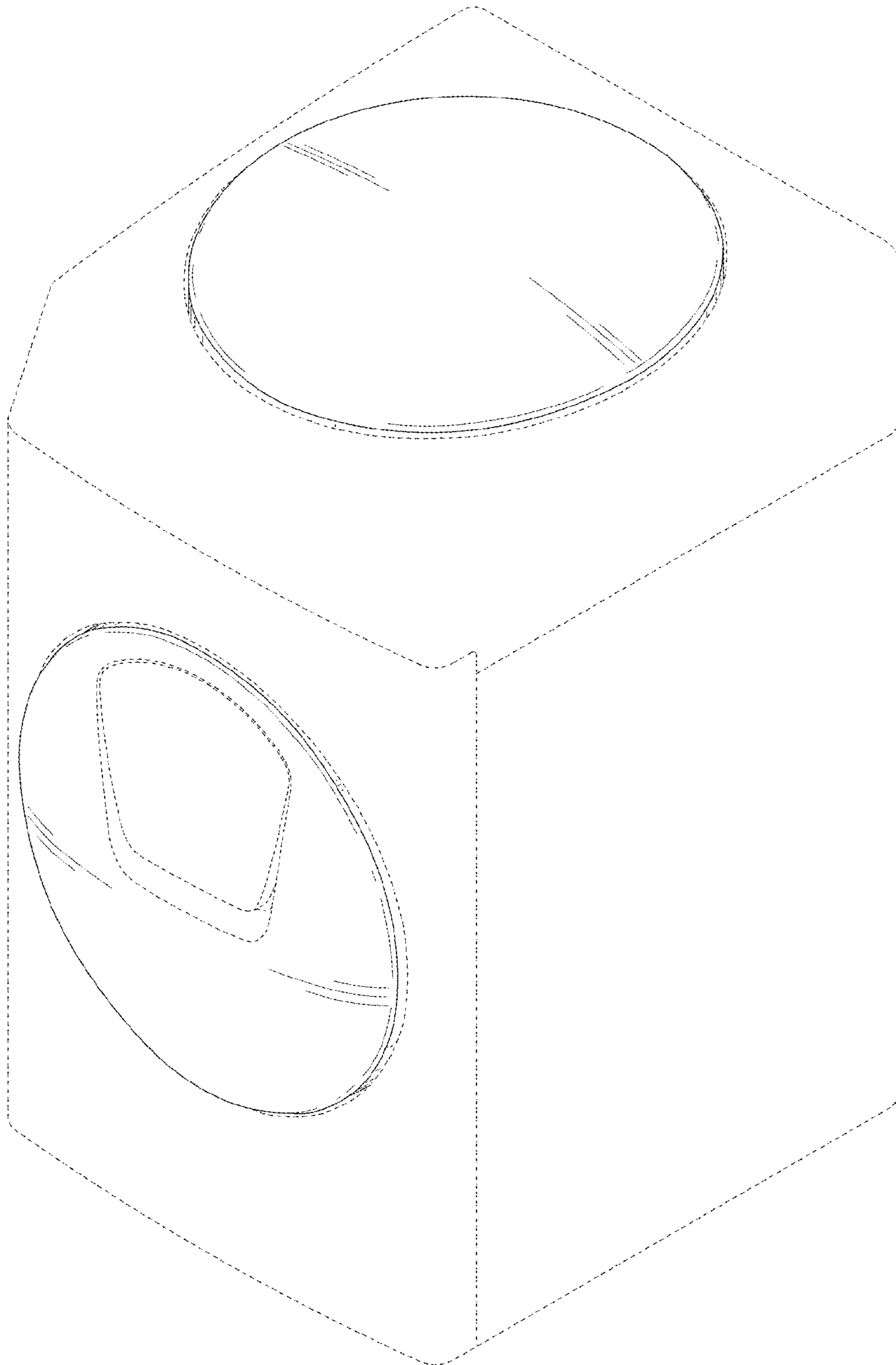


FIG. 9

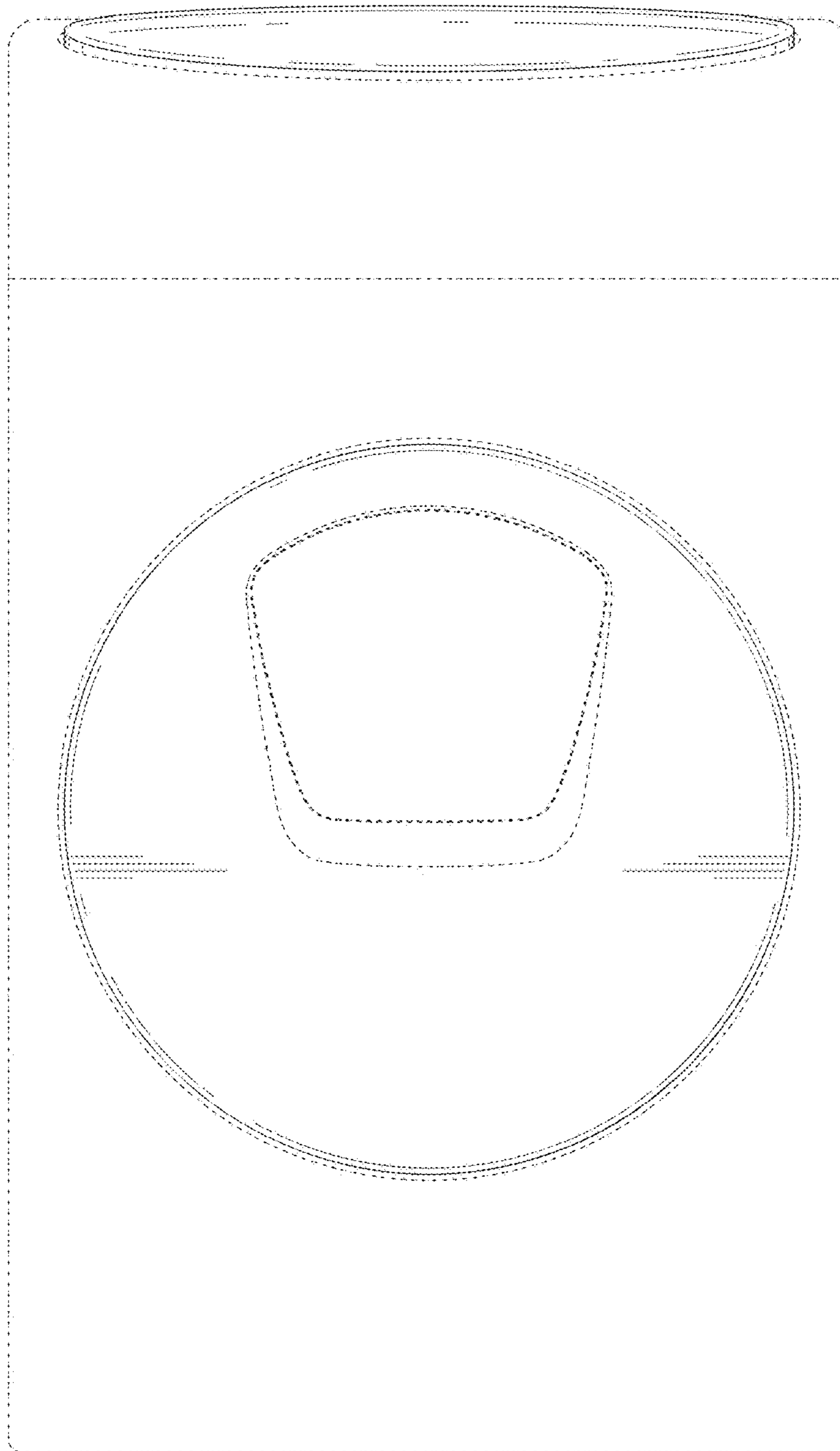


FIG. 10

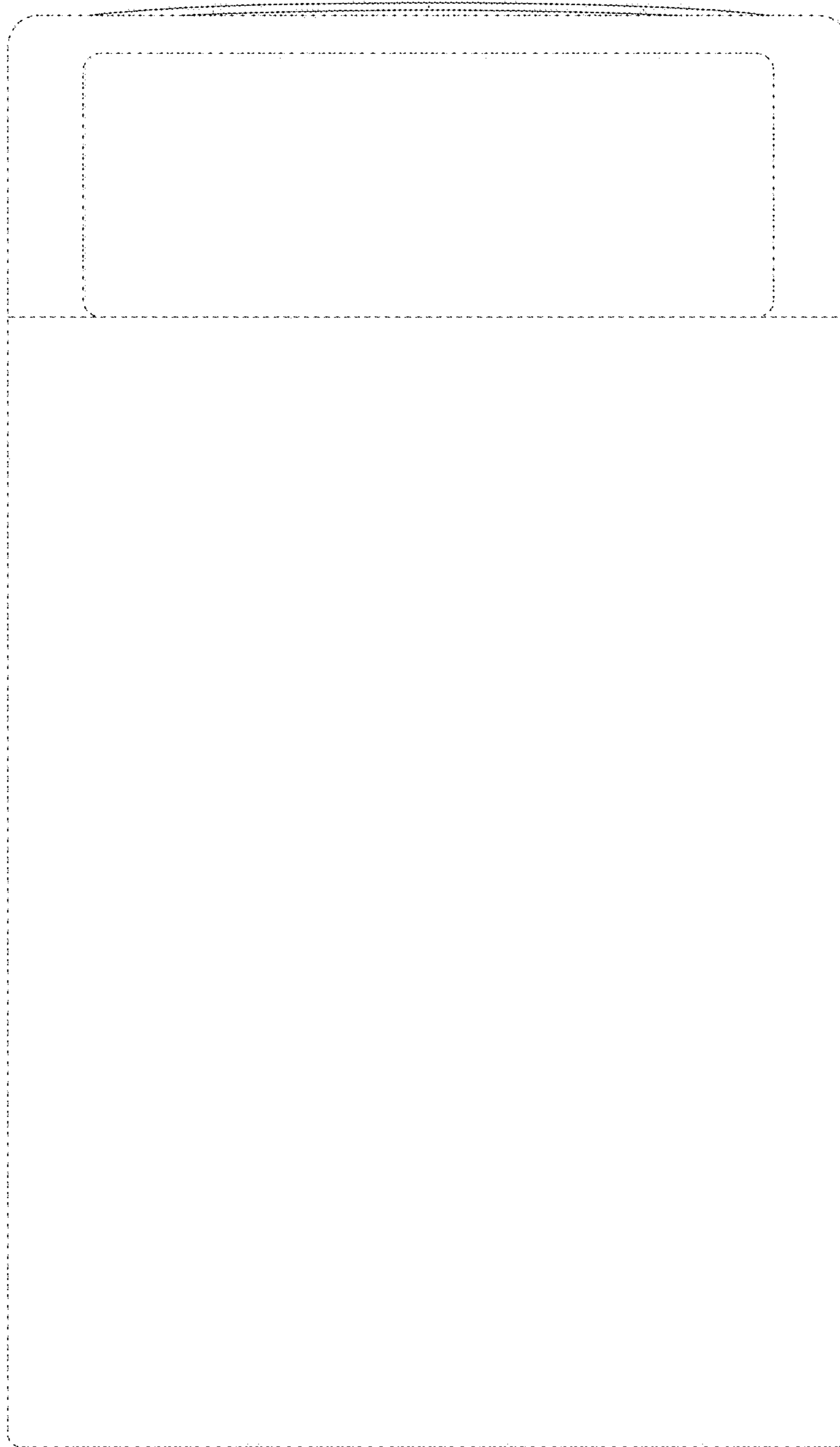


FIG. 11

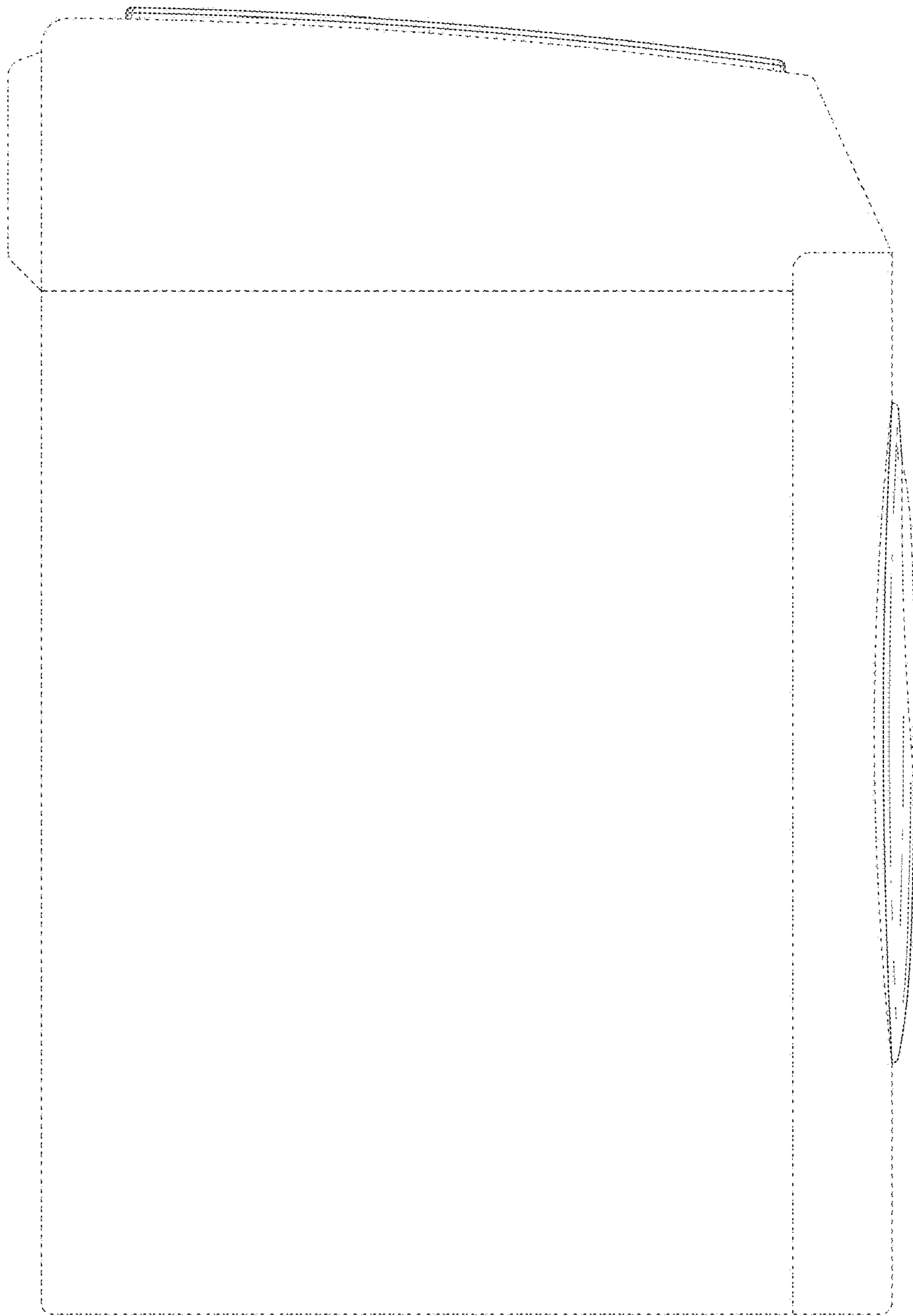


FIG. 12

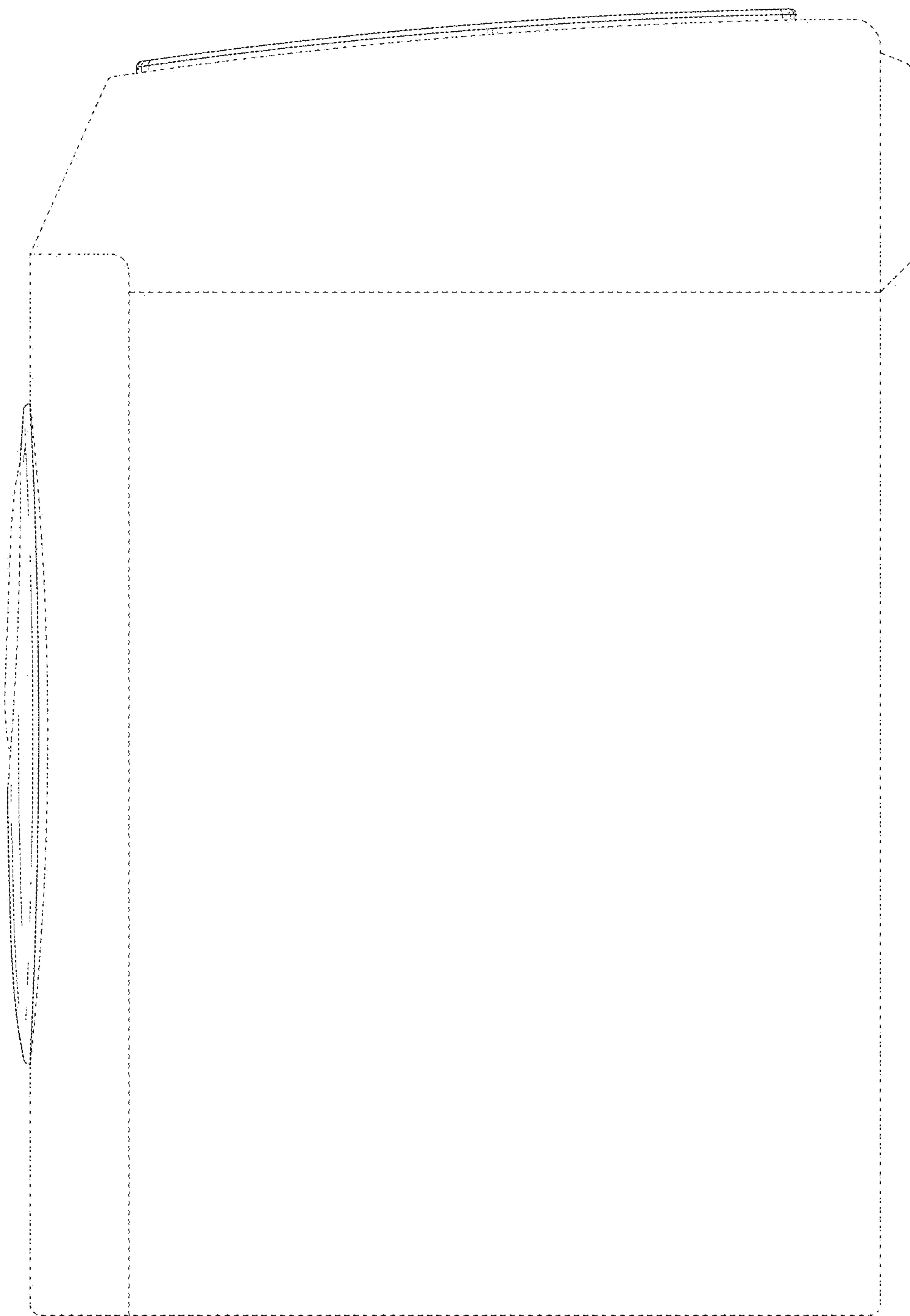


FIG. 13

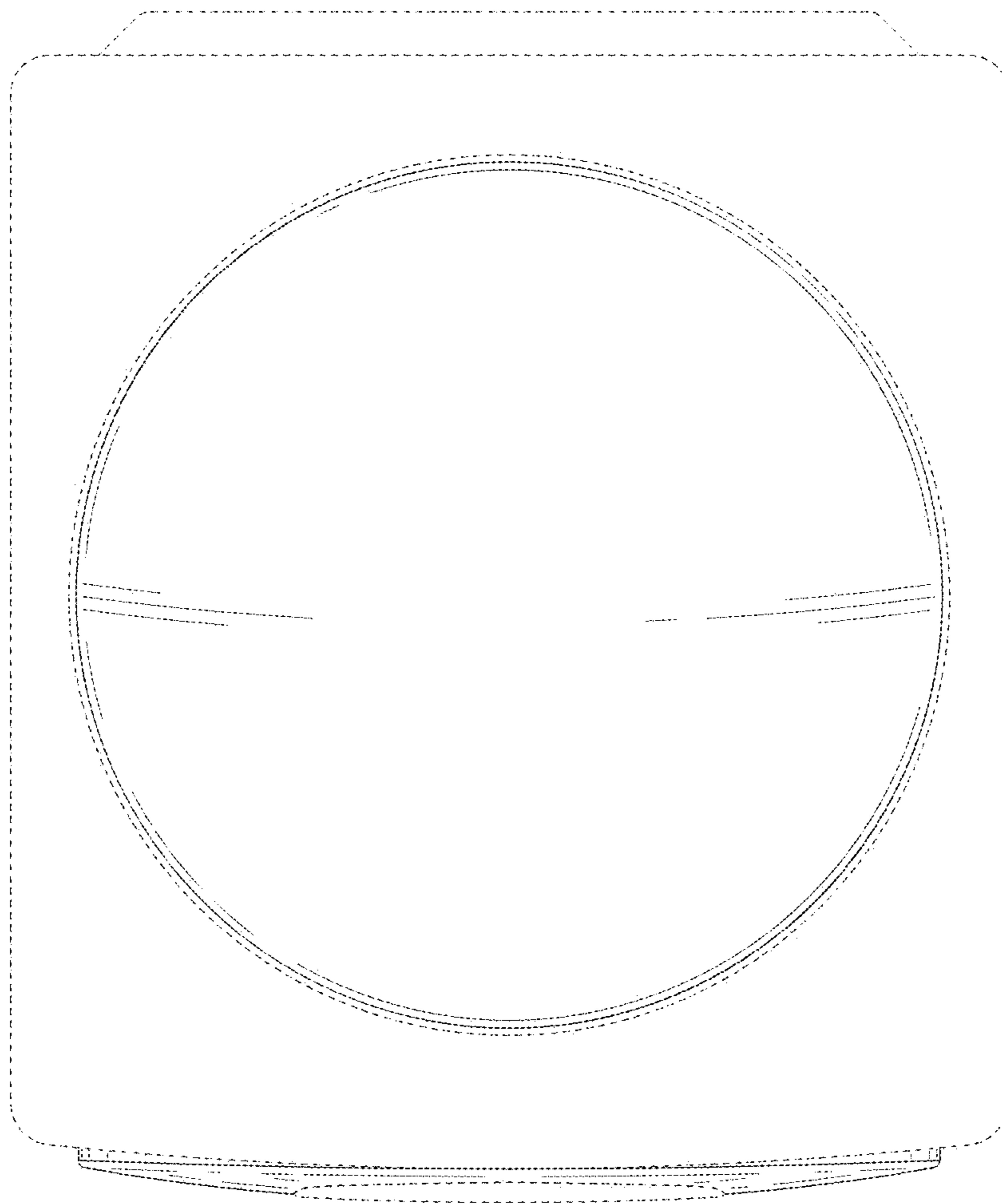


FIG. 14

