



US00D866883S

(12) **United States Design Patent** (10) **Patent No.:** **US D866,883 S**  
**Kim et al.** (45) **Date of Patent:** **\*\* Nov. 12, 2019**

(54) **DOOR FOR DISHWASHER**

- (71) Applicant: **Samsung Electronics Co., Ltd.**, Suwon-si (KR)
- (72) Inventors: **Jaejun Kim**, Seoul (KR); **Daejong Kim**, Suwon-si (KR); **Gisung Han**, Seoul (KR)
- (73) Assignee: **SAMSUNG ELECTRONICS CO., LTD.**, Gyeonggi-Do (KR)
- (\*\*) Term: **15 Years**

(21) Appl. No.: **29/633,121**

(22) Filed: **Jan. 12, 2018**

(30) **Foreign Application Priority Data**

Aug. 24, 2017 (KR) ..... 30-2017-0039469

(51) **LOC (12) Cl.** ..... **15-05**

(52) **U.S. Cl.**  
USPC ..... **D32/2**

(58) **Field of Classification Search**  
USPC ..... D32/2, 3, 28, 25; D7/340, 348  
CPC .... A47L 15/22; A47L 15/449; A47L 15/4463;  
A47L 15/4445; A47L 15/4295; A47L  
15/0055; A47L 15/0057; A47L 2301/04;  
A47L 2501/07

See application file for complete search history.

(56) **References Cited**

**U.S. PATENT DOCUMENTS**

D656,692 S *	3/2012	Kim	.....	D32/2
D665,957 S *	8/2012	Eng	.....	D32/2
D673,742 S *	1/2013	Eng	.....	D32/2
D743,118 S *	11/2015	Lee	.....	D32/2
D778,008 S *	1/2017	Roberson	.....	D32/3
D801,600 S *	10/2017	Kim	.....	D32/2
D827,951 S *	9/2018	Lee	.....	D32/2

**OTHER PUBLICATIONS**

Perratore, Ed; Consumer Reports—"KitchenAid Dishwasher With Window Lets You Watch the Washing"; Published Sep. 19, 2017; 3 Pages.

\* cited by examiner

*Primary Examiner* — Michelle E. Wilson

(74) *Attorney, Agent, or Firm* — Cantor Colburn LLP

(57) **CLAIM**

The ornamental design for a door for dishwasher, as shown and described.

**DESCRIPTION**

FIG. 1 is a perspective view of a door for dishwasher, showing our new design;  
 FIG. 2 is a front view thereof;  
 FIG. 3 is a rear view thereof;  
 FIG. 4 is a left side view thereof;  
 FIG. 5 is a right side view thereof;  
 FIG. 6 is a top view thereof;  
 FIG. 7 is a bottom view thereof;  
 FIG. 8 is another perspective view thereof as shown on a dishwasher environment;  
 FIG. 9 is a perspective view of a door for dishwasher, showing the second embodiment of our new design;  
 FIG. 10 is a front view thereof;  
 FIG. 11 is a rear view thereof;  
 FIG. 12 is a left side view thereof;  
 FIG. 13 is a right side view thereof;  
 FIG. 14 is a top view thereof;  
 FIG. 15 is a bottom view thereof; and,  
 FIG. 16 is another perspective view thereof as shown on a dishwasher environment.

The broken lines showing portions of the door for dishwasher and environmental structure form no part of the claimed design.

**1 Claim, 14 Drawing Sheets**

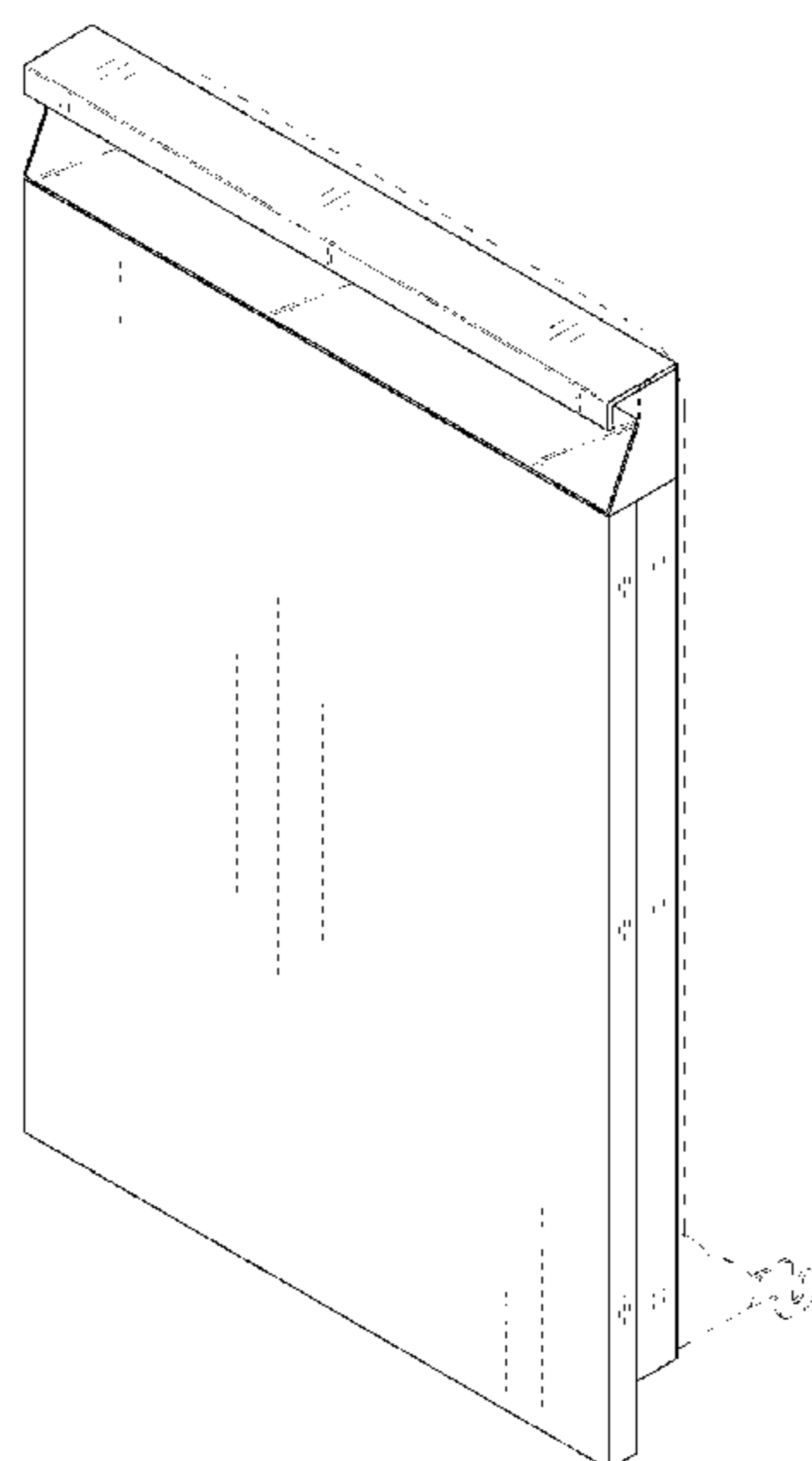


FIG. 1

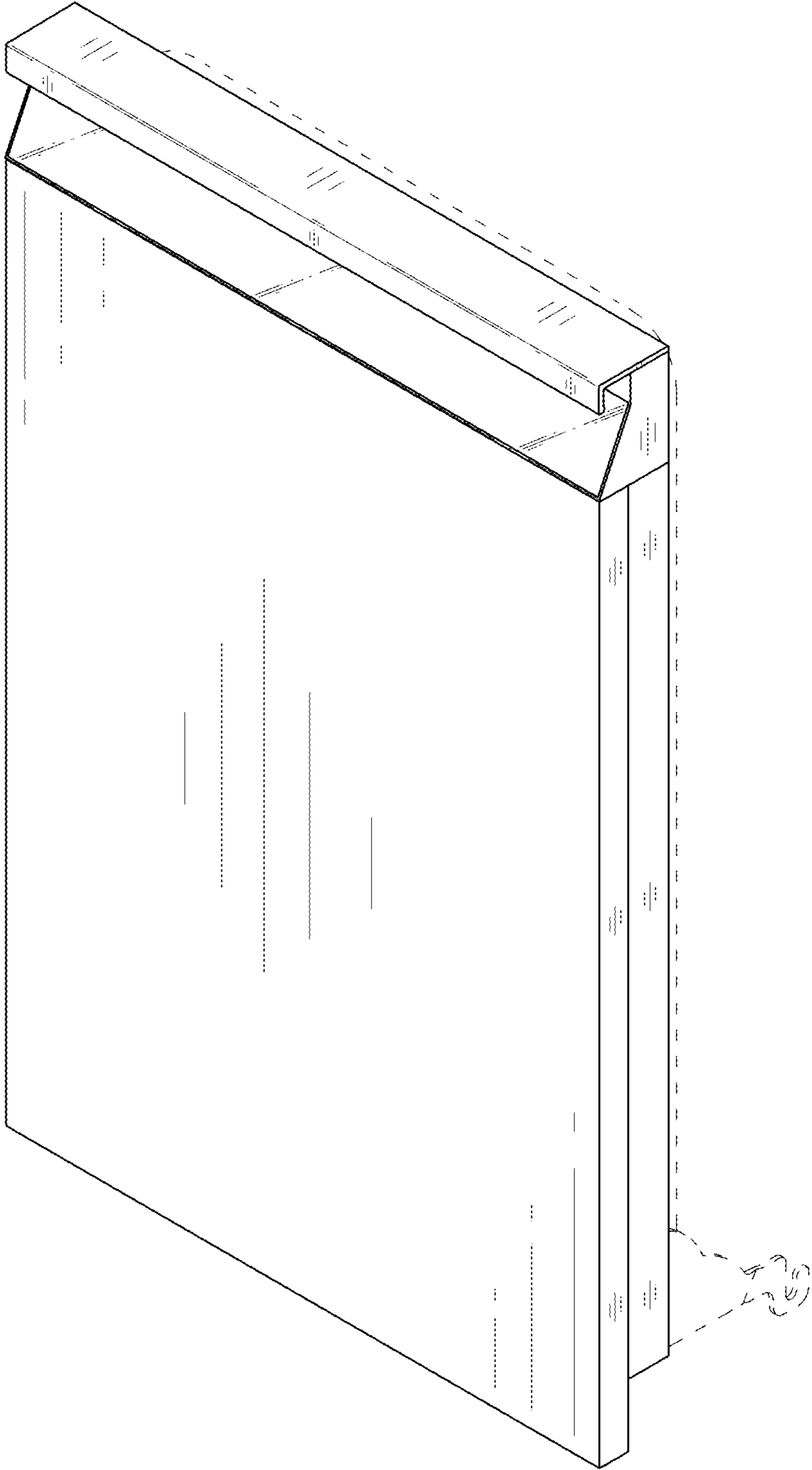


FIG. 2



FIG. 3

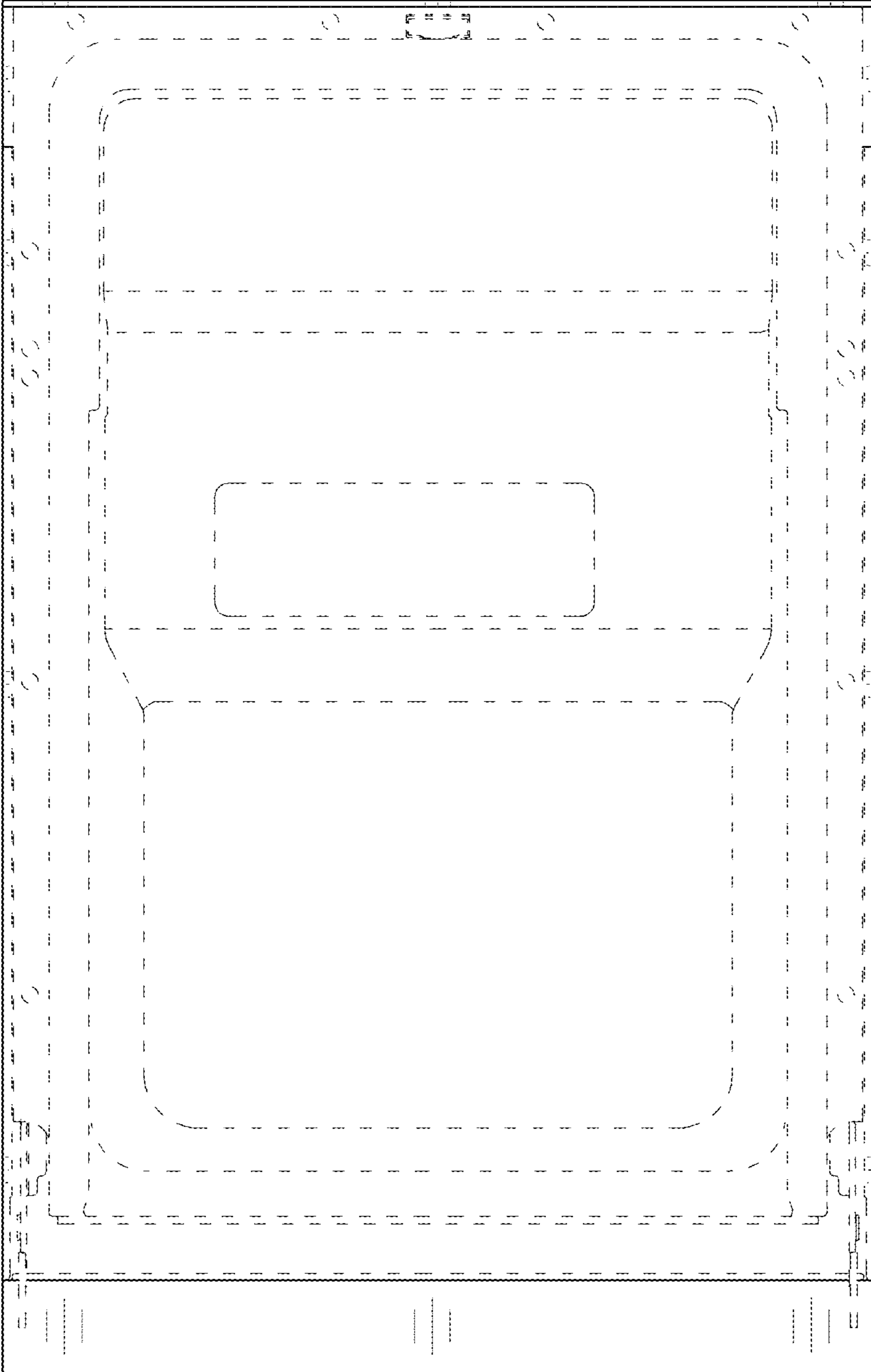


FIG. 4

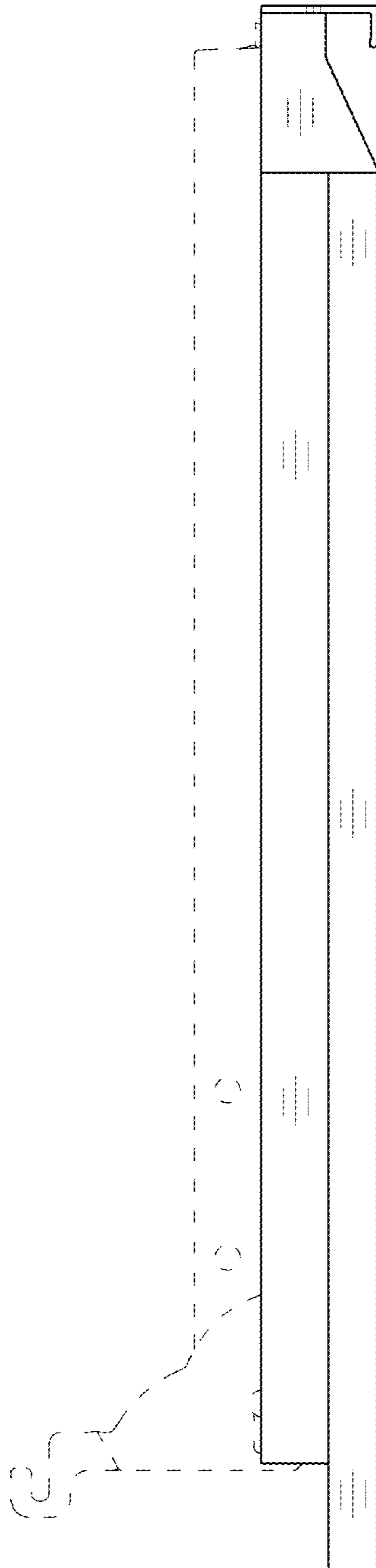


FIG. 5

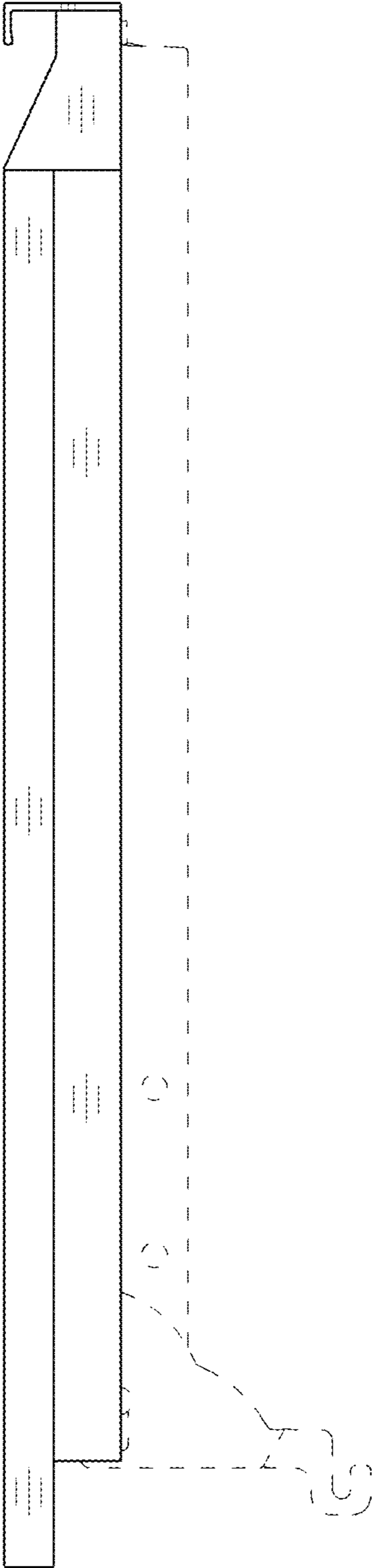


FIG. 6

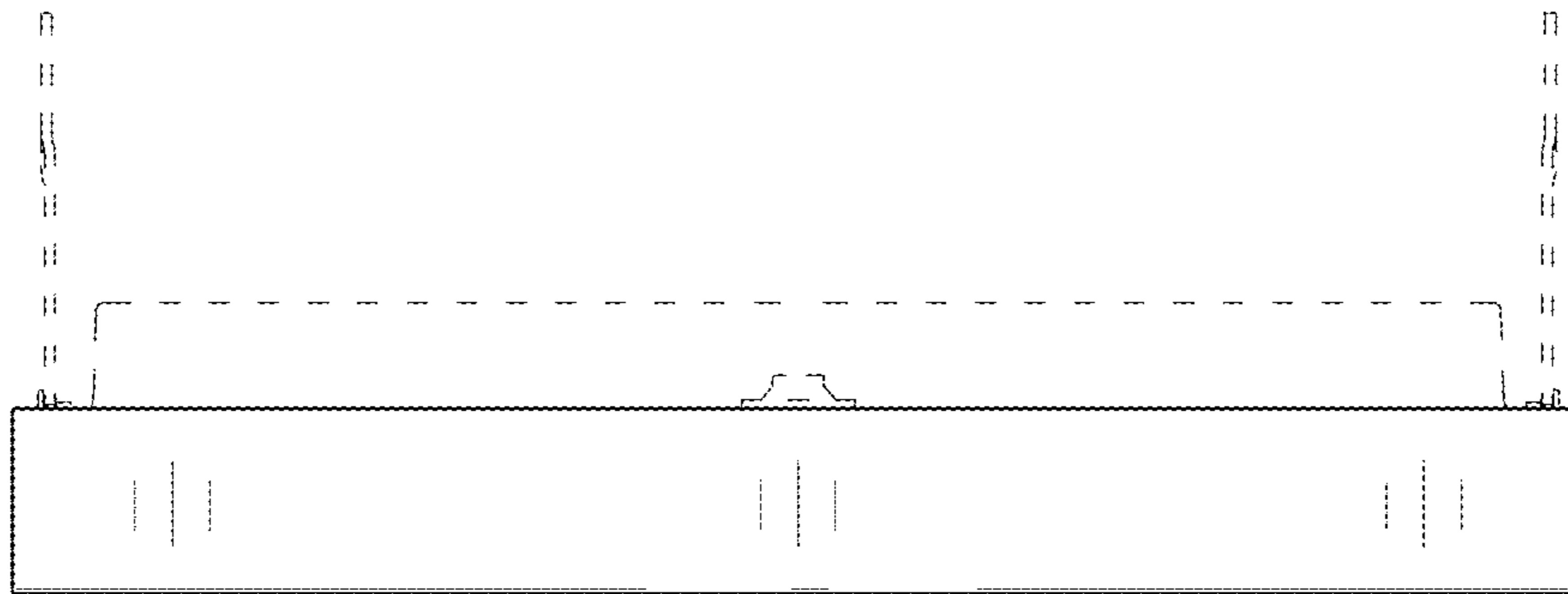


FIG. 7

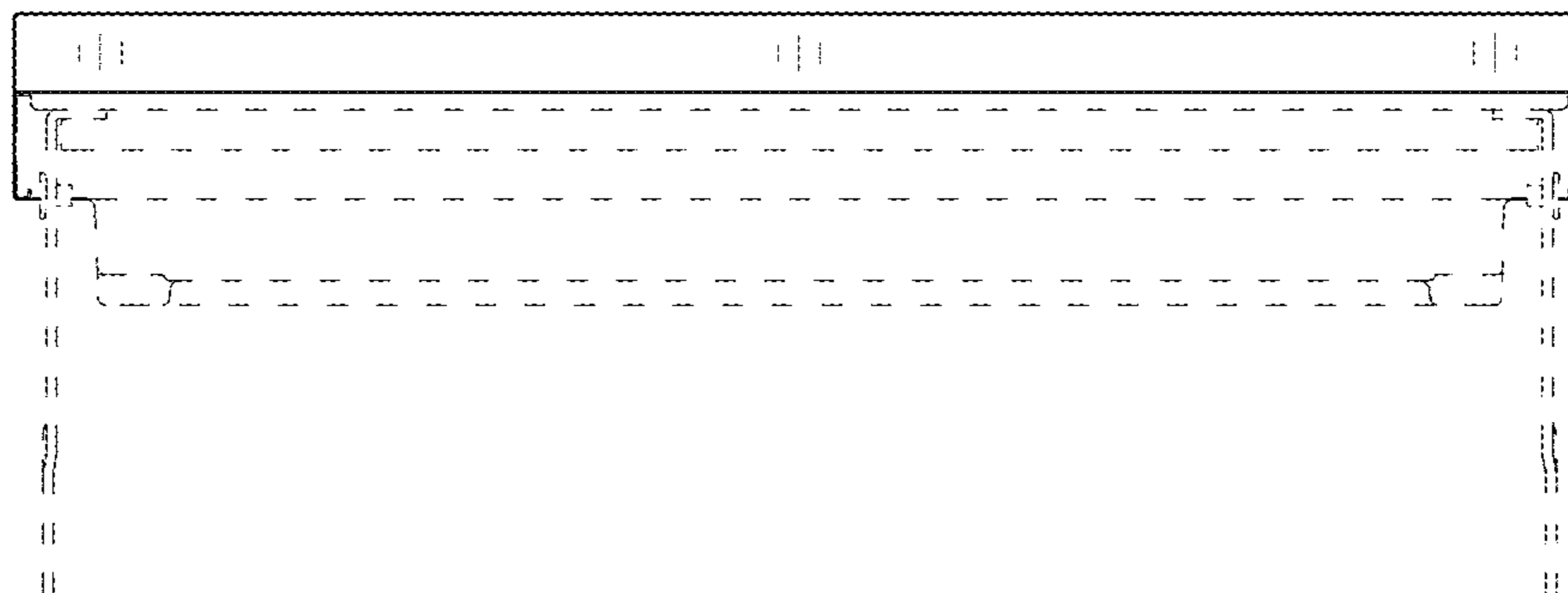


FIG. 8

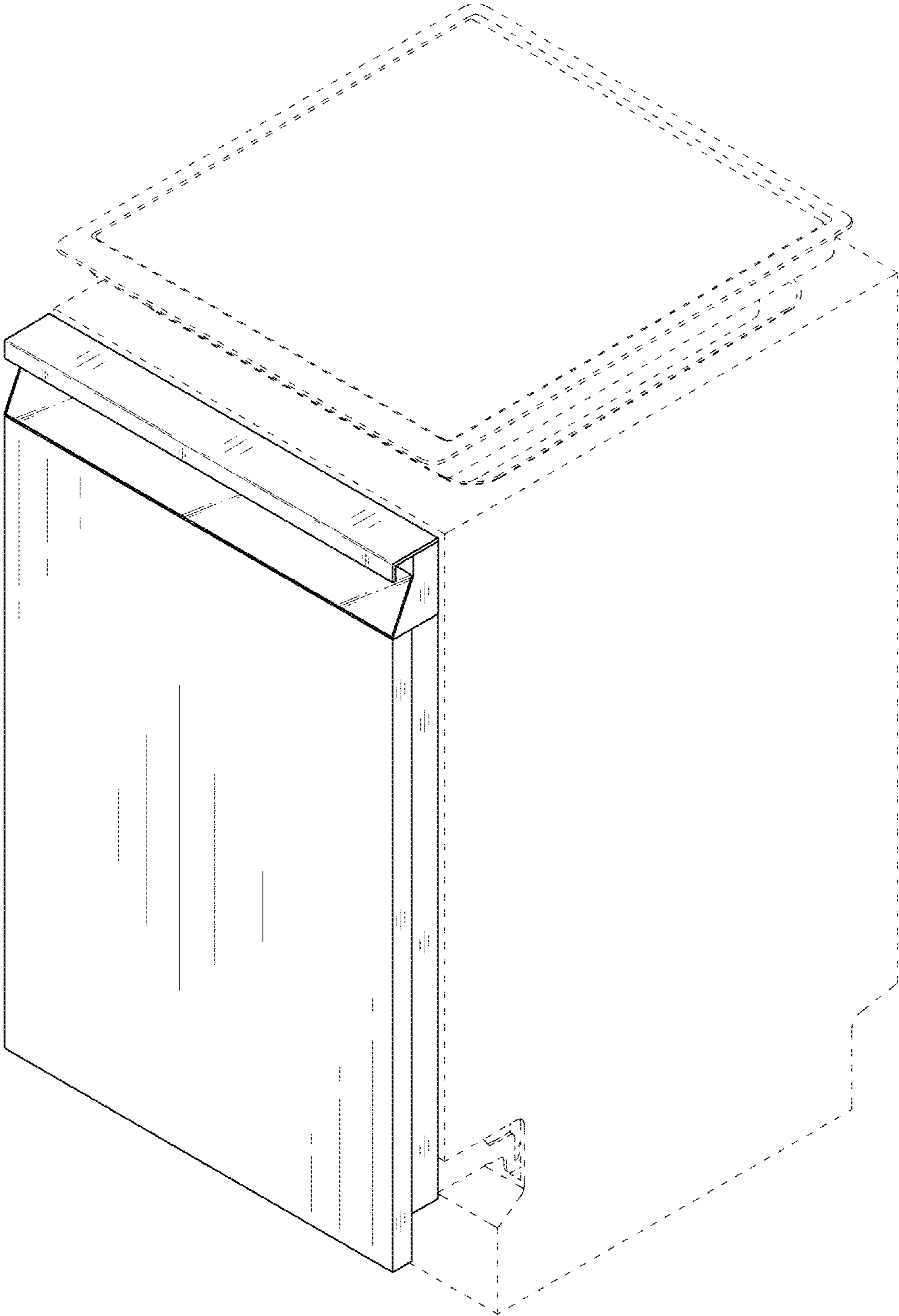




FIG. 9

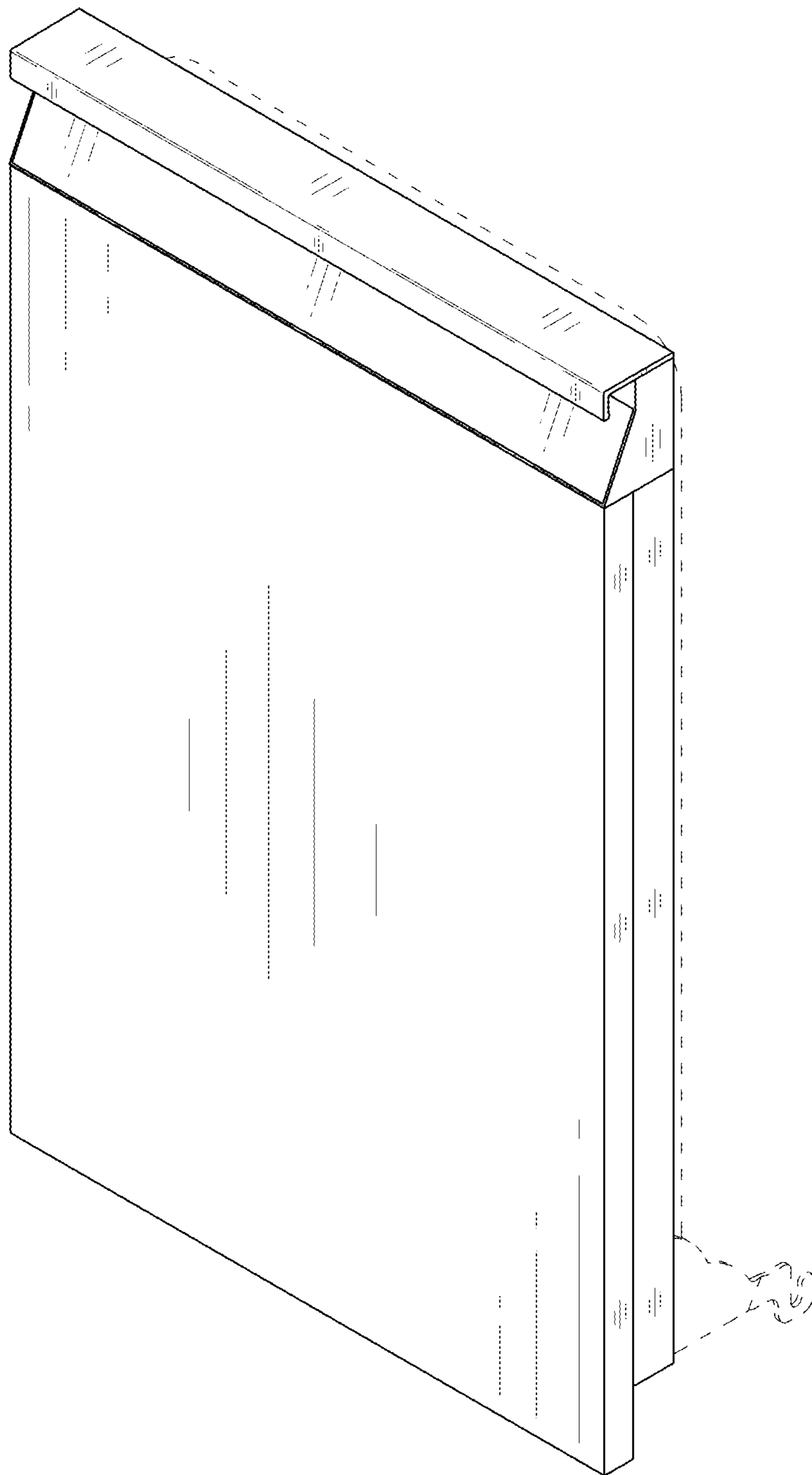


FIG. 10



FIG. 11

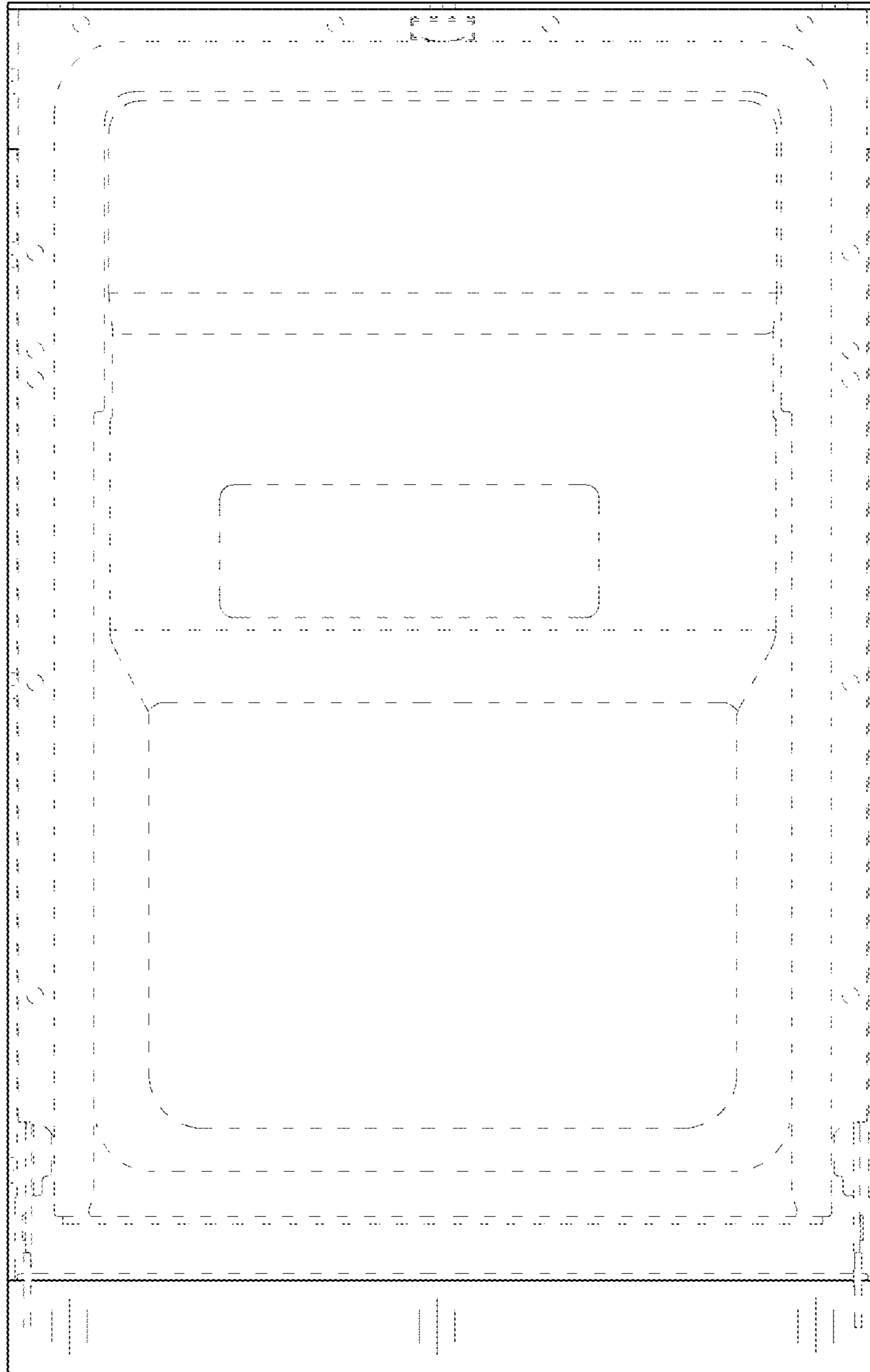


FIG. 12

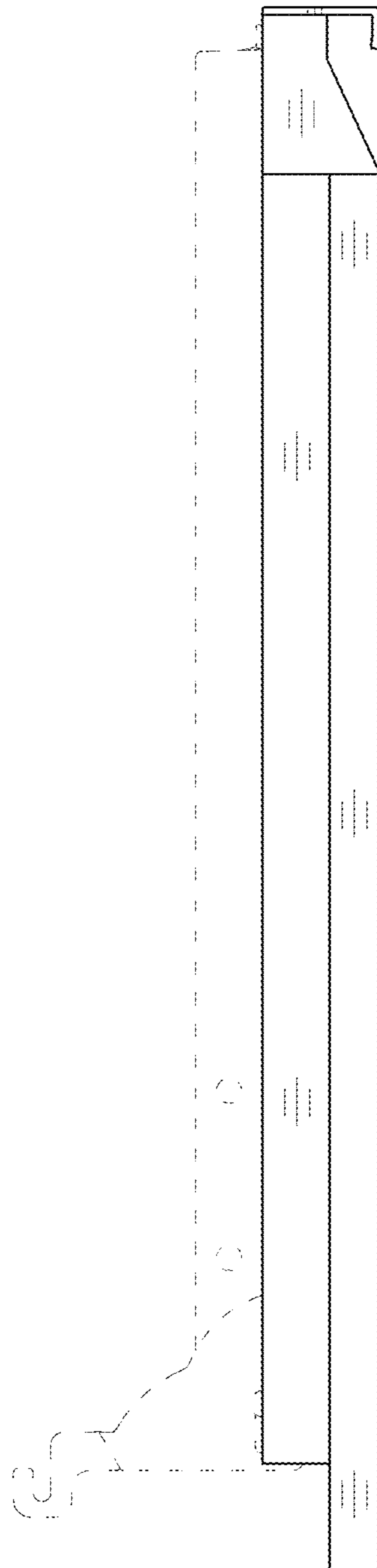


FIG. 13

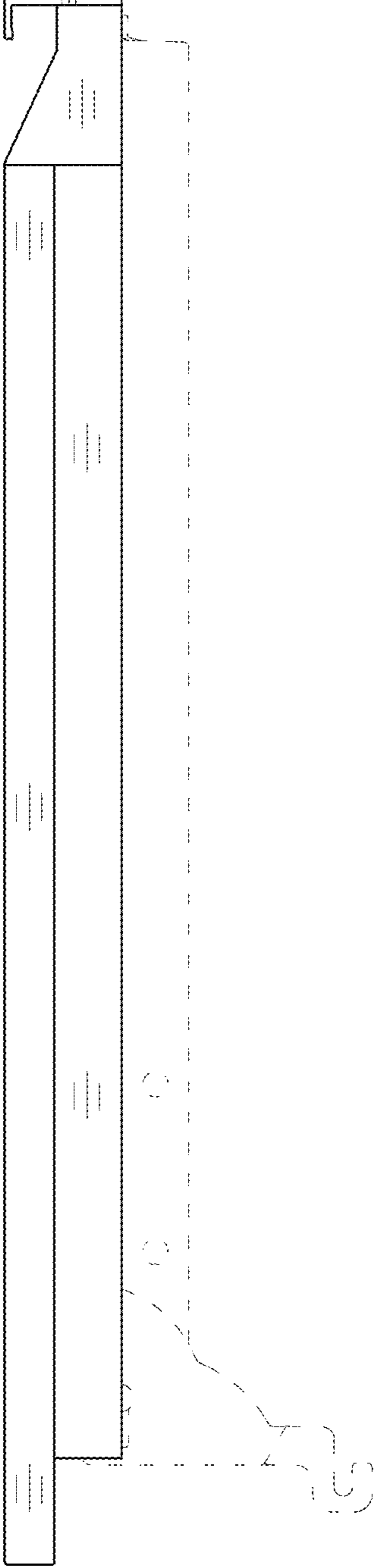


FIG. 14

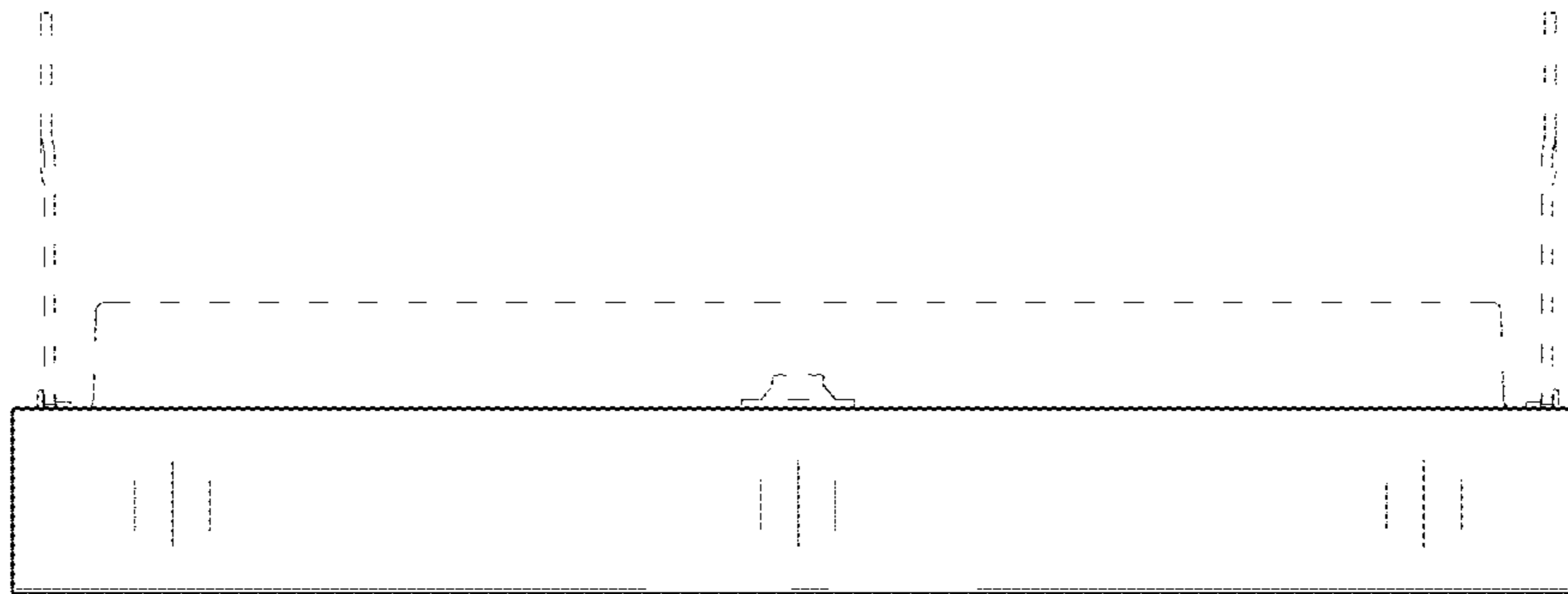


FIG. 15

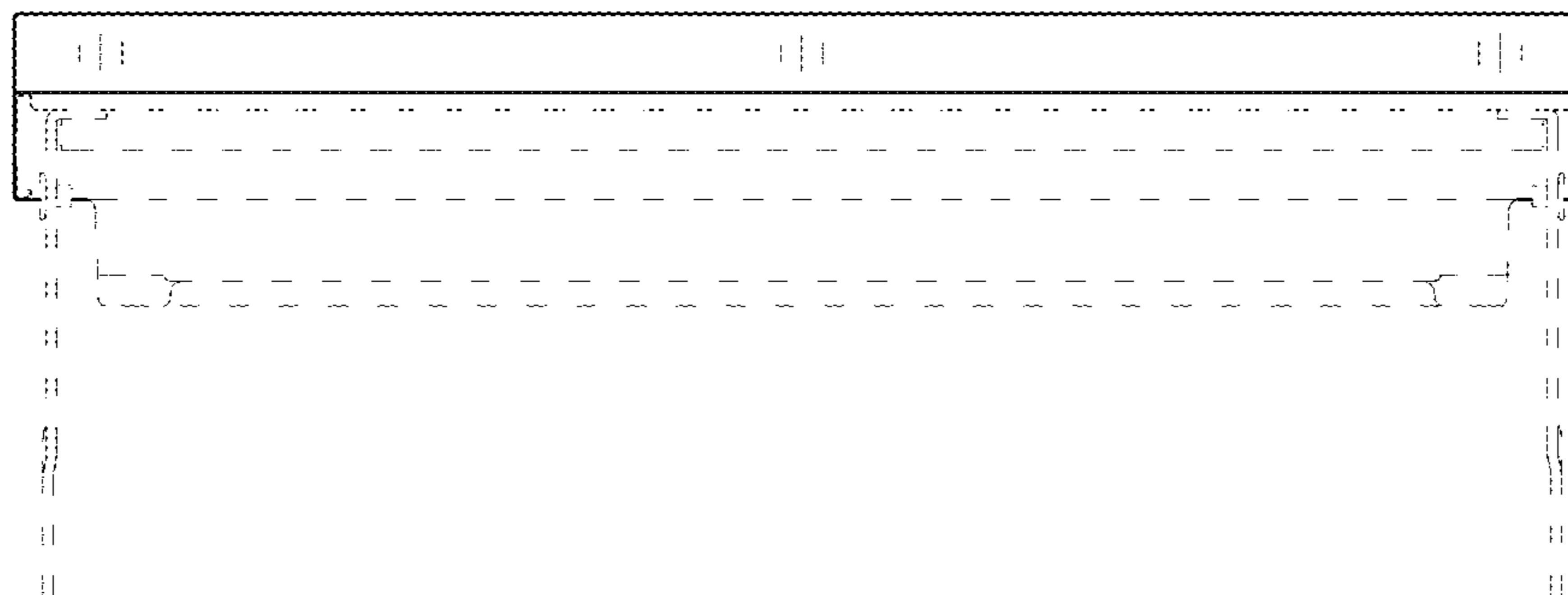


FIG. 16

