



US00D866882S

(12) **United States Design Patent** (10) **Patent No.:** **US D866,882 S**
Filmer (45) **Date of Patent:** **** Nov. 12, 2019**

(54) **ANIMAL WASTE COLLECTION APPARATUS**

E04D 15/006; Y10T 403/40; Y10T 403/46; Y10T 403/7005

(71) Applicant: **Mike Filmer**, Gretna, NE (US)

See application file for complete search history.

(72) Inventor: **Mike Filmer**, Gretna, NE (US)

(56) **References Cited**

(**) Term: **15 Years**

U.S. PATENT DOCUMENTS

(21) Appl. No.: **29/616,122**

1,225,540 A * 5/1917 Wells A47L 13/52
15/257.5

(22) Filed: **Sep. 1, 2017**

1,315,310 A * 9/1919 Kelley A47L 13/52
15/257.1

(51) **LOC (12) Cl.** **30-99**

(Continued)

(52) **U.S. Cl.**

Primary Examiner — Susan Moon Lee

USPC **D30/162**

(74) *Attorney, Agent, or Firm* — Suiter Swantz pc llo

(58) **Field of Classification Search**

(57) **CLAIM**

USPC D30/162, 199; 273/447; D8/1, 13, 10,
D8/11, 14, 6; D34/1, 10, 28, 34, 35;
D21/532; D29/124; D7/642, 644, 683,
D7/685, 686, 687, 688; 119/867, 161;
294/1.3–1.5, 19.2, 19.3, 86.4, 86.11,
294/86.19, 86.42, 86.12, 86.17, 86.2,
294/86.21, 86.24, 86.26, 86.32, 87.26,
294/196–198, 210, 111, 49–57, 176, 181;
132/273, 277, 283, 284, 128–156, 236,
132/252, 259–263; 15/257.1–257.4,
15/257.7, 257.8; 446/424–428, 491, 330,
446/86; 56/400.17, 400.01,
56/400.04–400.11, 400.1, 400.14, 400.16,
56/400.21; 172/371, 373–375, 378, 379,
172/381; D32/74

The ornamental design for an animal waste collection apparatus, as shown and described.

DESCRIPTION

CPC A01K 1/01; A01K 23/005; E01H 1/1206;
E01H 1/12; E01H 1/1213; E01H
2001/122; E01H 2001/1226; E01H
2001/1233; E01H 2001/1246; E01H
2001/1293; A63H 17/266; A63H 17/12;
A63H 17/26; A63H 23/005; A63H 23/16;
A63H 33/3044; A63H 33/3072; B25J
1/02; B25J 1/06; A01B 1/20; A01B 1/22;
A01B 1/227; A01D 7/00; A01D 7/02;
A01D 7/04; A01D 7/06; A01D 7/08;
A01D 7/10; A01D 11/00; A01D 11/06;
B25G 1/00; E04D 15/00; E04D 15/003;

FIG. 1 is a front elevation view of an animal waste collection apparatus.

FIG. 2 is a rear elevation view of the animal waste collection apparatus of FIG. 1.

FIG. 3 is a left side elevation view of the animal waste collection apparatus of FIG. 1.

FIG. 4 is a right side elevation view of the animal waste collection apparatus of FIG. 1.

FIG. 5 is a top plan view of the animal waste collection apparatus of FIG. 1.

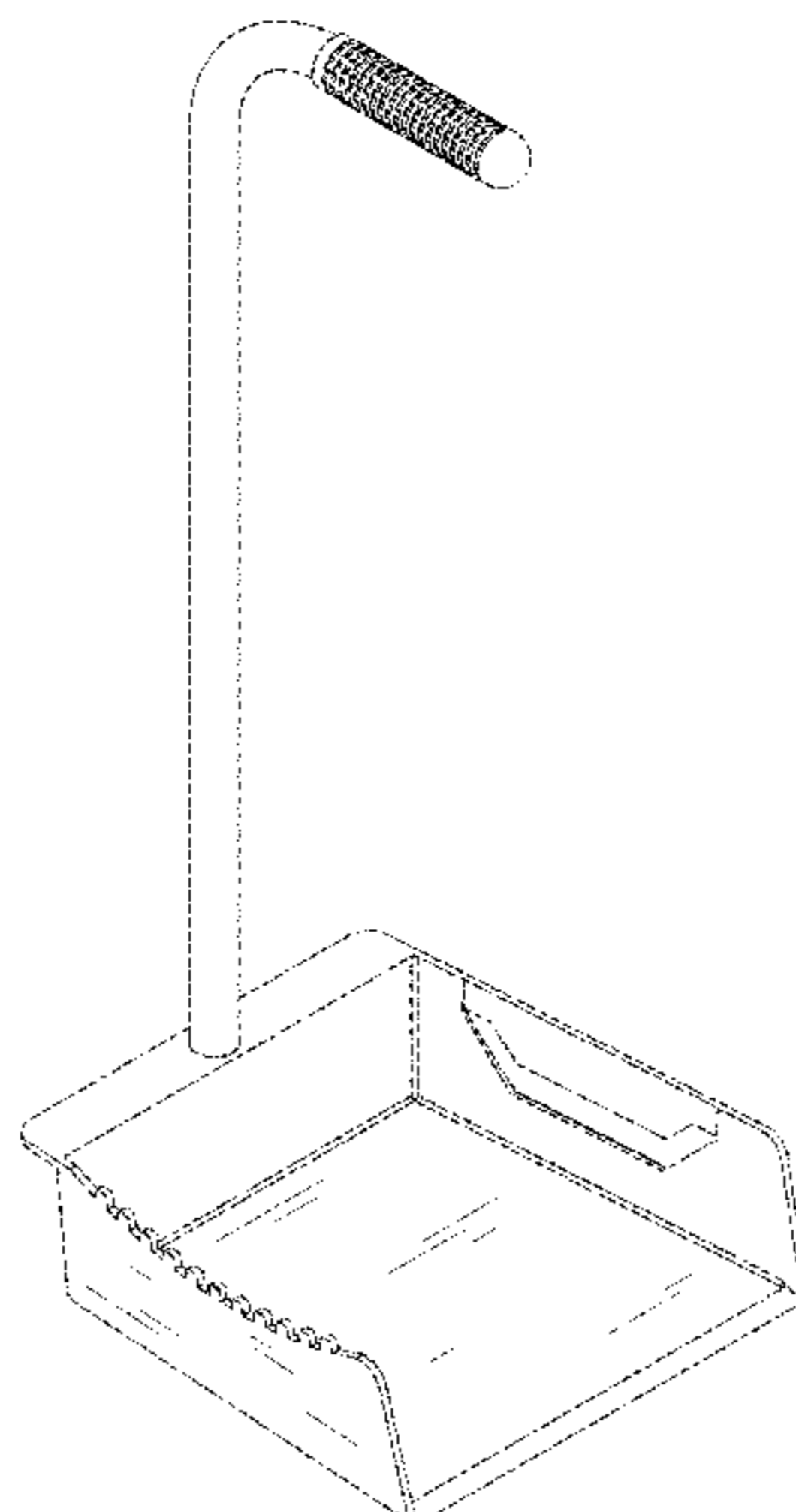
FIG. 6 is a bottom plan view of the animal waste collection apparatus of FIG. 1.

FIG. 7 is an isometric view of the animal waste collection apparatus of FIG. 1; and,

FIG. 8 is another isometric view of the animal waste collection apparatus.

Portions of FIGS. 1 through 8 are shown in broken lines illustrating portions of the article that form no part of the claimed design.

1 Claim, 8 Drawing Sheets



(56)

References Cited

U.S. PATENT DOCUMENTS

2,005,416 A * 6/1935 Fisher F24B 15/08
209/418
2,545,226 A * 3/1951 Claude A01B 1/02
209/419
2,553,727 A * 5/1951 Schlutz A47L 13/52
15/257.2
2,960,230 A * 11/1960 Fracker B07B 1/02
209/417
3,121,248 A * 2/1964 Ferguson A47L 13/52
15/257.9
3,345,670 A * 10/1967 Charie E01H 1/1206
15/257.1
D209,660 S * 12/1967 Lind 294/1.4
3,562,840 A * 2/1971 Meszaros A47L 13/52
15/257.4
3,804,448 A * 4/1974 Schmieler E01H 1/1206
294/1.4
3,868,135 A * 2/1975 Magliaro A01K 23/005
294/1.5
4,037,867 A * 7/1977 Fano E01H 1/1206
294/1.4
4,148,513 A * 4/1979 Gagne E01H 1/1206
15/104.8
D267,593 S * 1/1983 Crawford 294/1.4
D269,129 S * 5/1983 Manfre 294/179
4,500,125 A * 2/1985 Olson E01H 1/1206
294/1.4
D286,697 S * 11/1986 Marttinen D32/50
D333,888 S * 3/1993 Visser 294/1.4
D339,437 S * 9/1993 Hinderer D32/74
D345,238 S * 3/1994 Berti D32/74
5,367,737 A * 11/1994 Vosbikian A47L 13/52
15/144.1
D360,714 S * 7/1995 d'Alquen 294/1.3
5,457,844 A * 10/1995 Hanna A47L 13/52
141/391
5,473,790 A * 12/1995 Desmarais A47L 13/52
15/257.7
D367,745 S * 3/1996 Feldman 15/257.1
5,661,868 A * 9/1997 Panagakos A46B 5/0033
15/144.4
D406,415 S * 3/1999 Martin D30/162
D409,804 S * 5/1999 Nunes D30/162
D411,788 S * 7/1999 Watson D8/13
5,924,162 A * 7/1999 Kalscheur A46B 17/06
15/142
6,023,812 A * 2/2000 Morad A47L 13/52
15/257.1
D422,389 S * 4/2000 Gay D32/74
D428,676 S * 7/2000 Renforth D30/162
6,249,930 B1 * 6/2001 Noggle A47L 13/52
15/257.1
6,398,278 B1 * 6/2002 Orr E01H 1/1206
15/104.8
6,643,891 B1 * 11/2003 Jerstroem A47L 13/52
15/257.1
6,892,419 B1 * 5/2005 Duprey A47L 13/52
15/257.1

D507,944 S * 8/2005 Crews D8/13
D543,426 S * 5/2007 Donaldson D8/10
7,484,859 B1 * 2/2009 Burke A47L 13/52
15/257.1
D602,214 S * 10/2009 Petersen D30/162
D602,657 S * 10/2009 Petersen D30/162
D630,401 S * 1/2011 Libman D32/74
D663,906 S * 7/2012 Pallant D30/162
D665,954 S * 8/2012 Diehl D30/162
D667,192 S * 9/2012 Libman D32/74
D673,340 S * 12/2012 Dobson, III D32/74
D677,849 S * 3/2013 Petersen D32/74
D684,331 S * 6/2013 Vasilakes D32/74
D687,204 S * 7/2013 Vasilakes D32/74
8,875,339 B2 * 11/2014 Dobson, III A47L 13/52
15/257.5
D720,909 S * 1/2015 Vasilakes D32/74
D720,910 S * 1/2015 Seifts D32/74
D721,463 S * 1/2015 Kandasamy D32/74
D730,006 S * 5/2015 Dobson, III D32/74
D765,320 S * 8/2016 Berg D30/162
9,440,485 B2 * 9/2016 Krusoe B44D 3/12
9,549,653 B1 * 1/2017 Kapuriya B65D 29/00
D795,509 S * 8/2017 Dilgin D30/162
D795,520 S * 8/2017 La Selva D32/74
D819,913 S * 6/2018 Beyda D32/74
D826,503 S * 8/2018 Dobson, III D32/74
D834,276 S * 11/2018 Gregory D32/74
D836,277 S * 12/2018 Re D32/74
D838,074 S * 1/2019 Mangano D32/74
D845,574 S * 4/2019 Martino D32/74
D850,045 S * 5/2019 Borovicka D32/46
2003/0121834 A1 * 7/2003 Greenberg A01K 1/0114
209/235
2004/0134803 A1 * 7/2004 Michelson A46B 15/0061
206/223
2004/0221872 A1 * 11/2004 Perelli A47L 13/52
134/6
2005/0071943 A1 * 4/2005 Liu A47L 13/52
15/257.2
2012/0274089 A1 * 11/2012 Green E01H 1/1206
294/1.4
2012/0292933 A1 * 11/2012 Krupp E01H 1/1206
294/1.4
2013/0146319 A1 * 6/2013 Truex A01B 1/20
172/378
2013/0270846 A1 * 10/2013 Buhagiar E01H 1/1206
294/1.4
2013/0313842 A1 * 11/2013 McNair E01H 1/1206
294/1.4
2014/0077511 A1 * 3/2014 Endara E01H 1/1206
294/1.4
2014/0150397 A1 * 6/2014 Palmer 56/400.11
2015/0115634 A1 * 4/2015 Young E01H 1/1206
294/1.4
2015/0267366 A1 * 9/2015 O'Hare E01H 1/1206
294/1.3
2016/0376760 A1 * 12/2016 Johnson E01H 1/1206
294/1.4
2018/0058025 A1 * 3/2018 Filmer E01H 1/1206

* cited by examiner

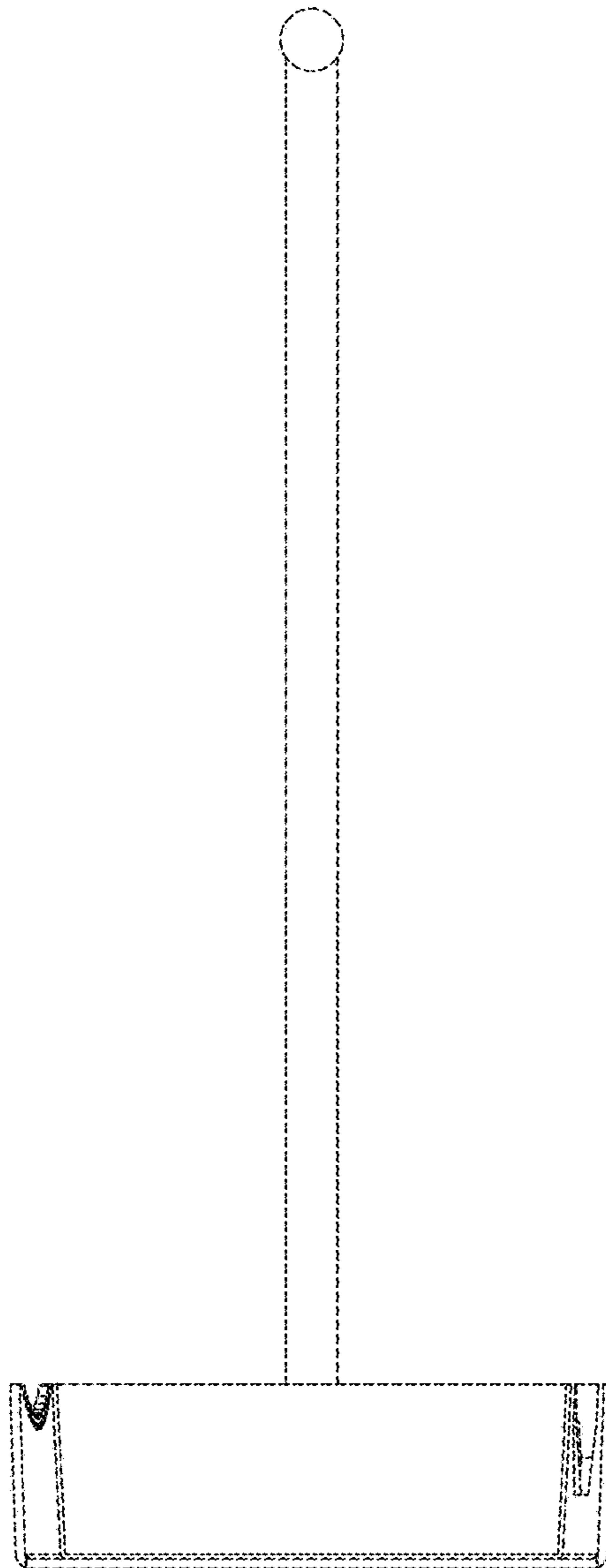


FIG. 1

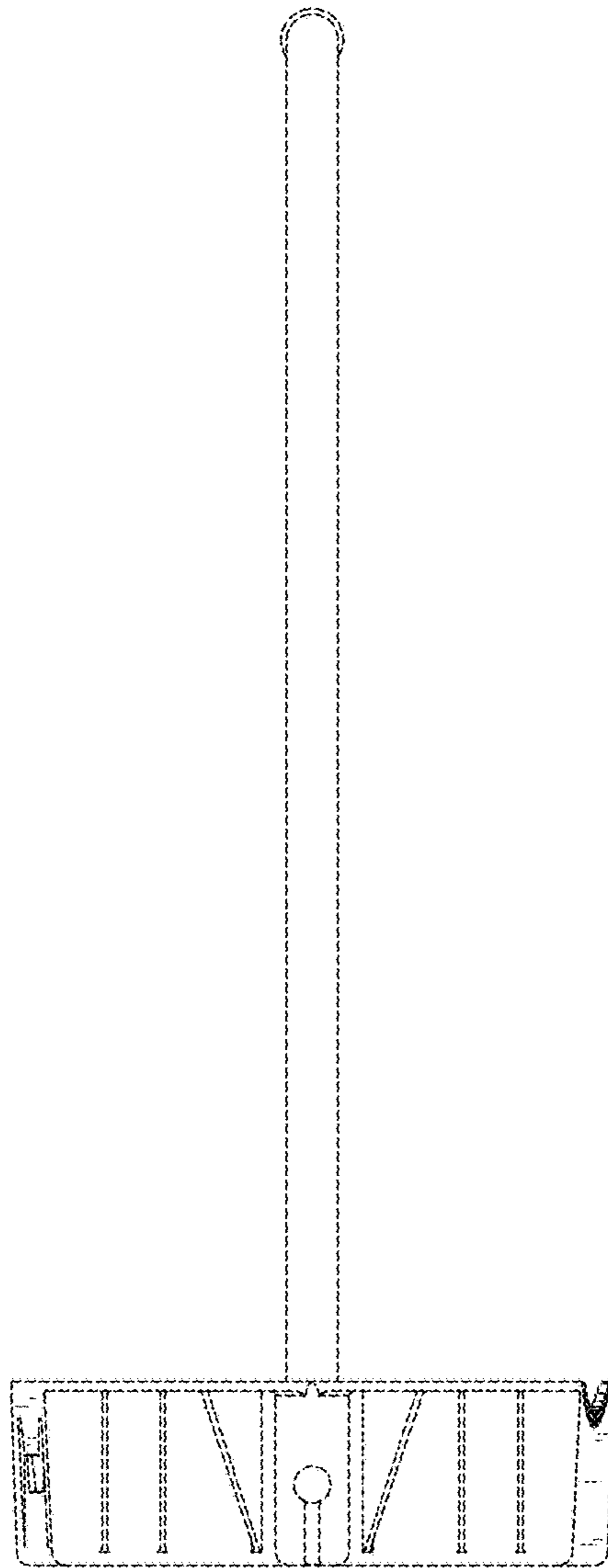


FIG. 2

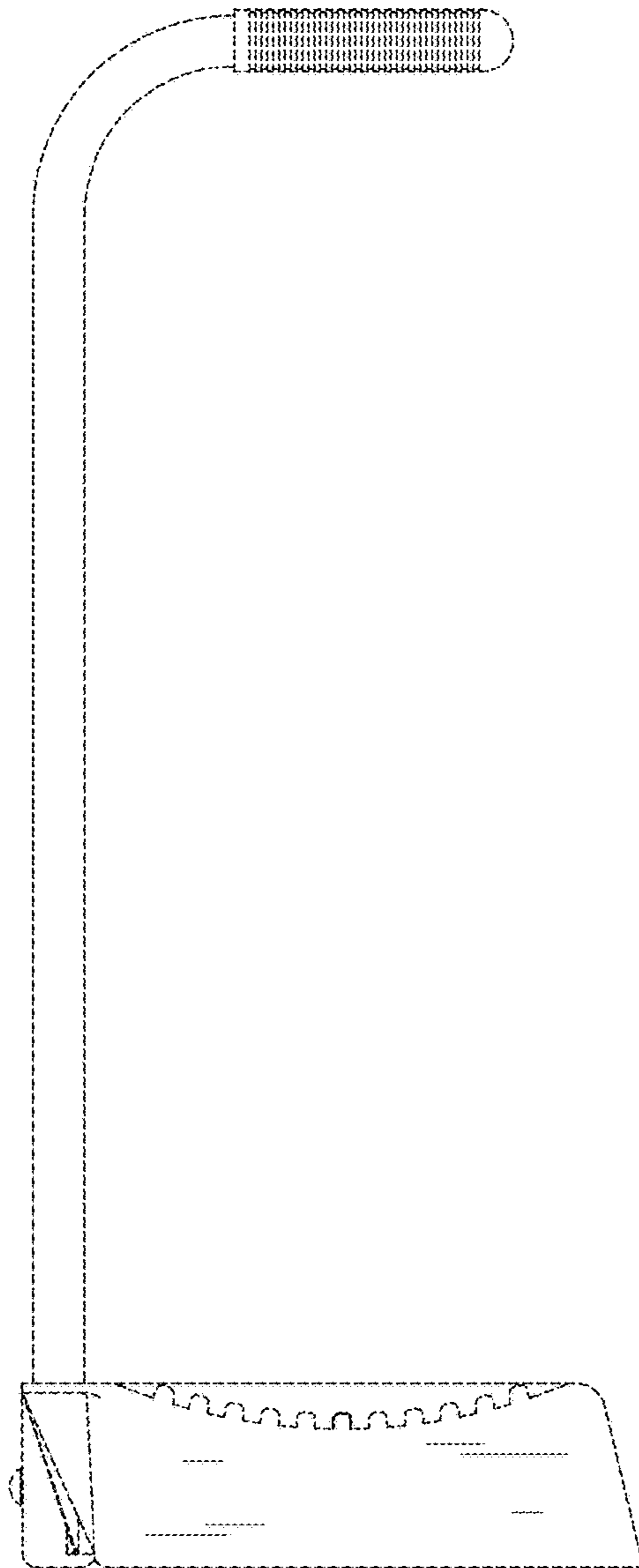


FIG. 3

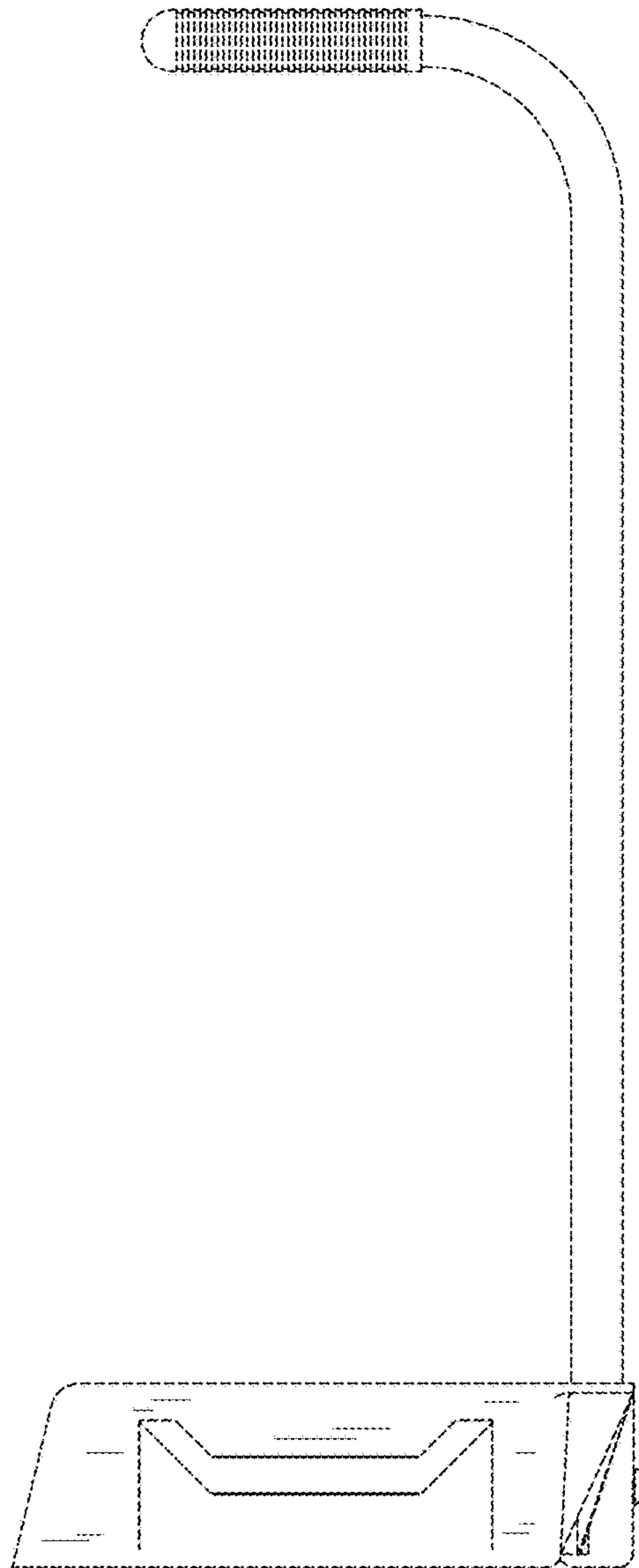


FIG. 4

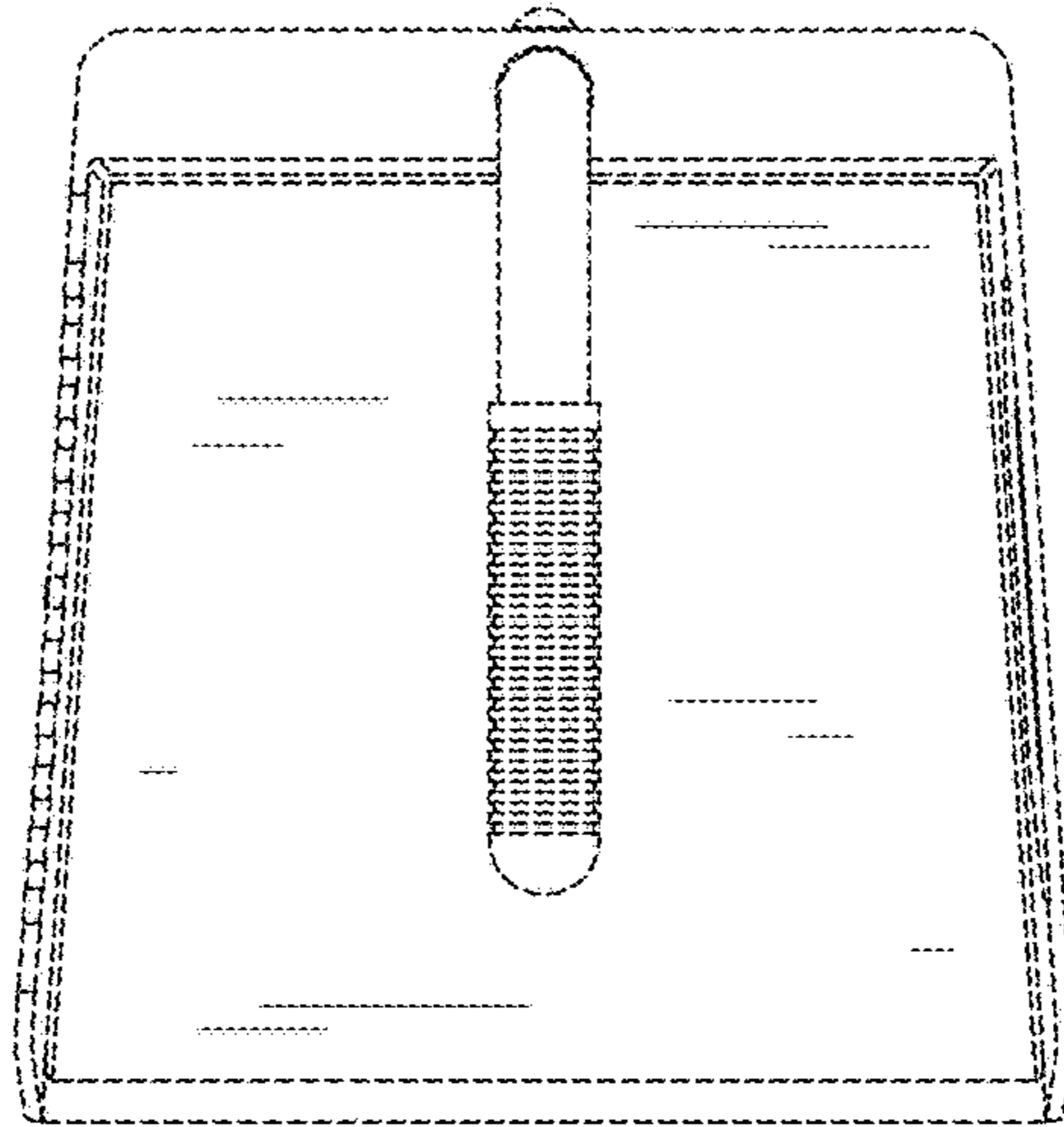


FIG. 5

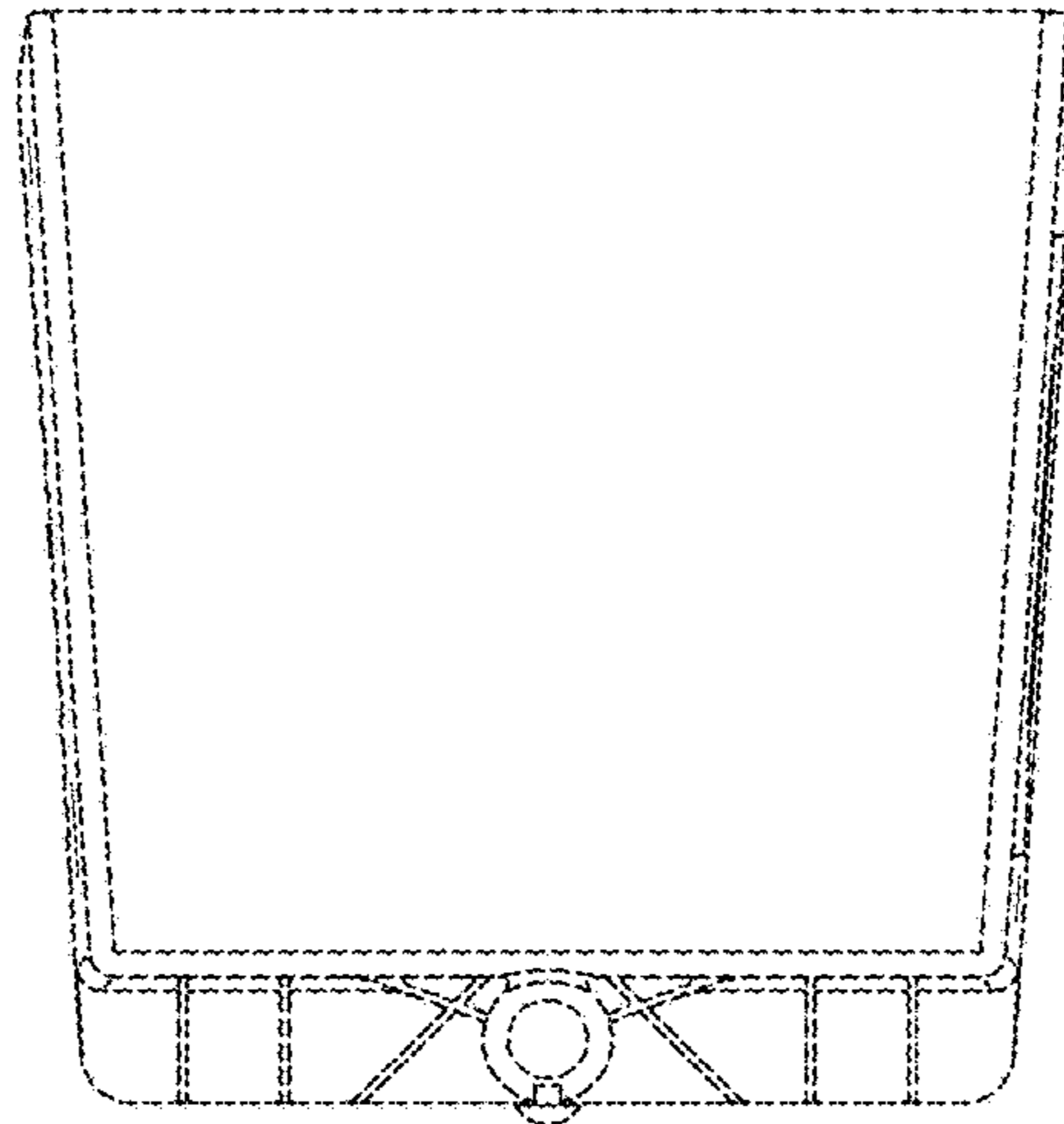


FIG. 6

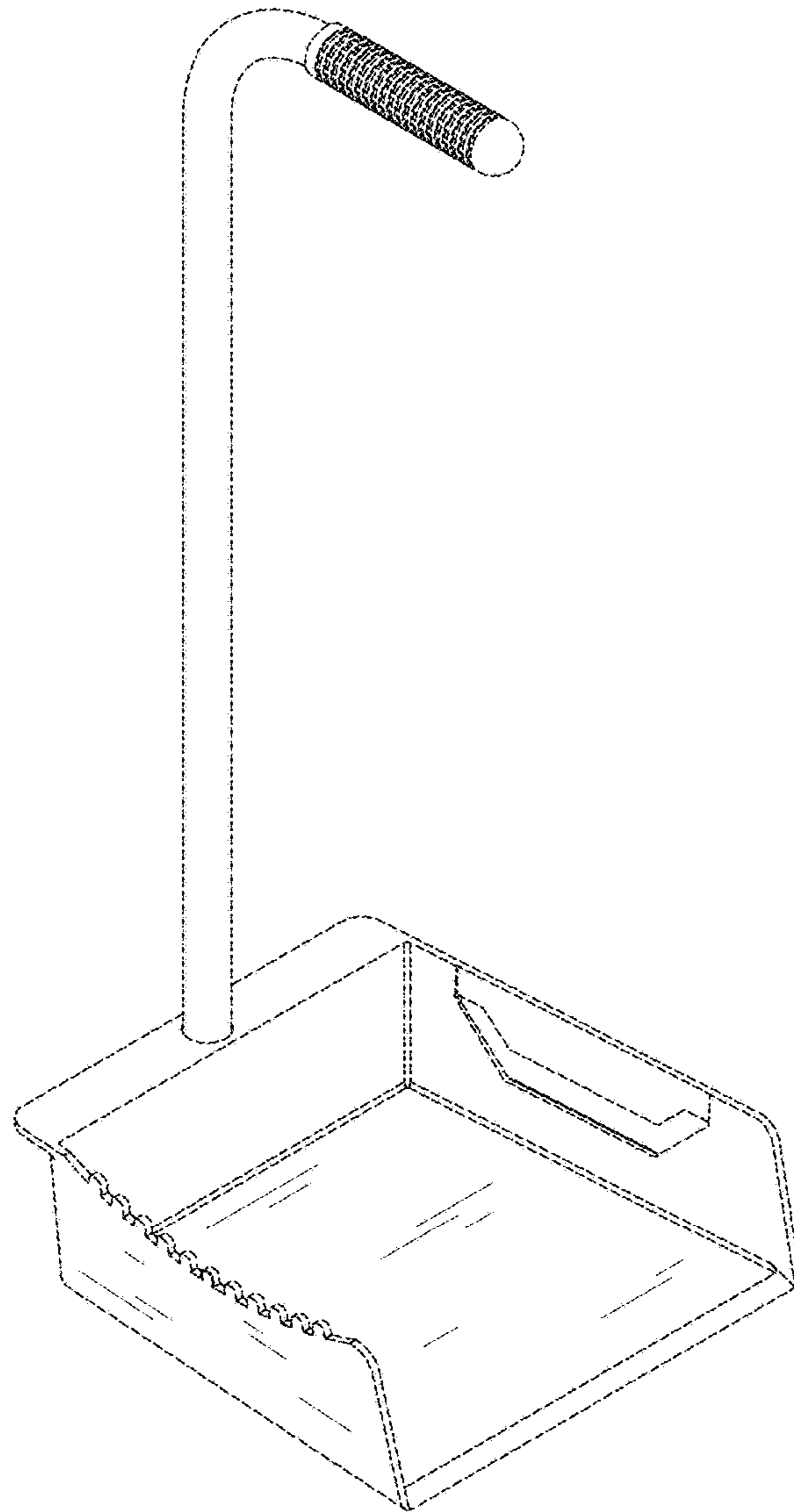


FIG. 7

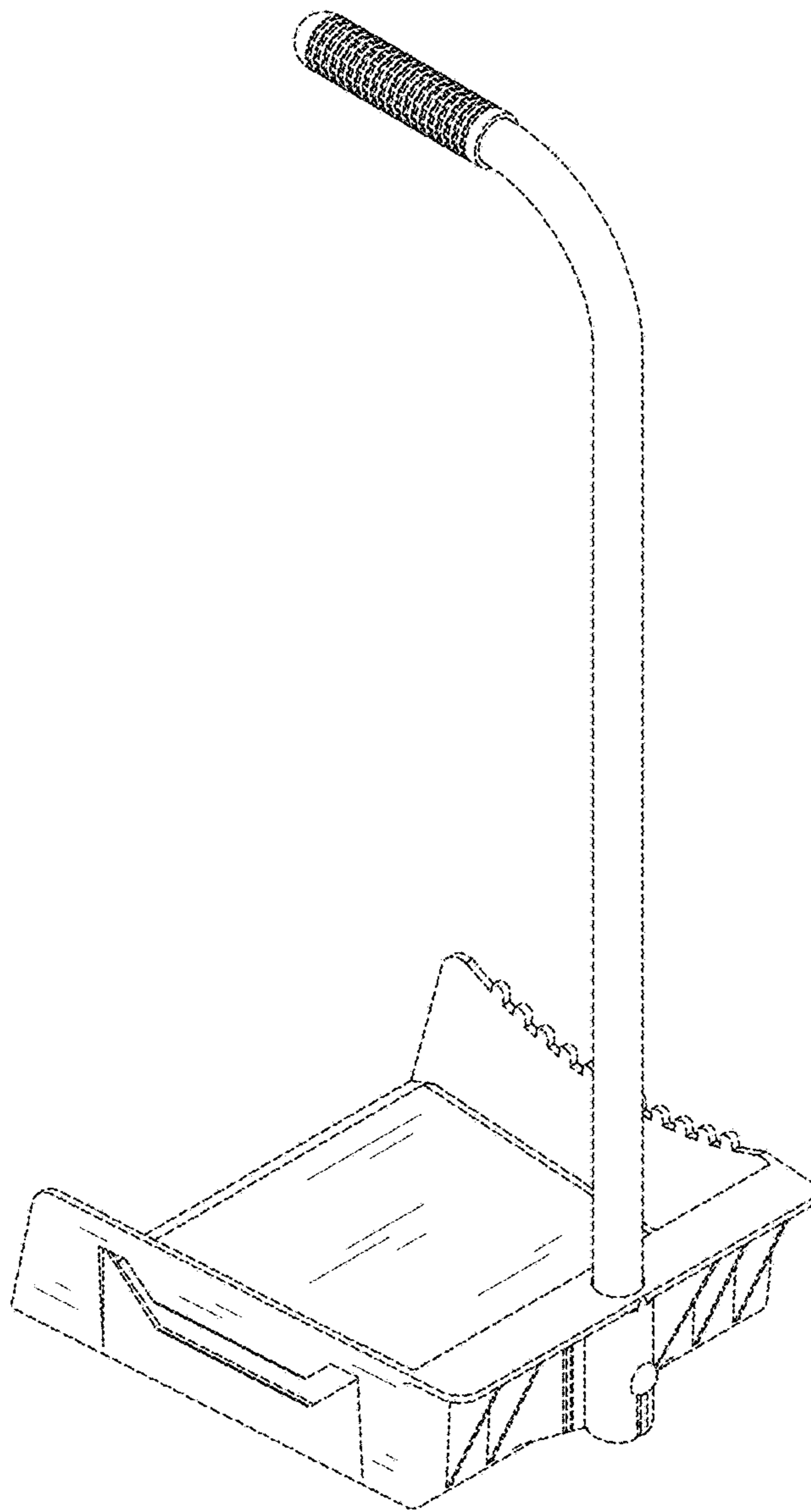


FIG. 8