



US00D866881S

(12) **United States Design Patent** (10) **Patent No.:** **US D866,881 S**
Hathaway (45) **Date of Patent:** **** Nov. 12, 2019**

(54) **PET WASTE POUCH**

(71) Applicant: **Augusta DeJuan Hathaway**, Midland, GA (US)

(72) Inventor: **Augusta DeJuan Hathaway**, Midland, GA (US)

(**) Term: **15 Years**

(21) Appl. No.: **29/608,129**

(22) Filed: **Jun. 19, 2017**

(51) **LOC (12) Cl.** **09-09**

(52) **U.S. Cl.**
USPC **D30/162**

(58) **Field of Classification Search**

USPC D34/1, 7, 11; D30/161, 162, 199; D6/512, 515, 518, 519; D3/203.5, 244, D3/201, 231, 243, 245, 251, 268, 290, D3/303, 226, 227, 319; D9/702-711, D9/715-721, 761, 414, 433, 499, 416, D9/418, 420, 734; D24/121; 383/63, 42, 383/43, 93, 95, 97, 1, 21, 104, 121, 25, 383/14, 10, 61.2, 8, 33, 34, 34.1, 6, 7, 9, 383/26, 35, 210, 210.1, 211, 38-41, 94; 604/385.02, 385.13, 358, 11, 359; 206/554, 440, 205, 438; 221/155; 229/175, 132; 294/1.3, 25, 1.5, 50.6, 294/176, 180, 58, 59, 1.1; 15/227, 104.8; 2/158; 493/194, 223, 226, 231, 235, 239, 493/346, 381; 119/795, 796, 792, 161, 119/769, 91, 793, 794, 797, 798, 867, 119/868, 806

(Continued)

(56) **References Cited**

U.S. PATENT DOCUMENTS

2,363,926 A * 11/1944 Arens B65D 77/12
383/13
3,346,883 A * 10/1967 Ersek A61B 10/0038
383/11

(Continued)

Primary Examiner — Susan Moon Lee

(74) *Attorney, Agent, or Firm* — Jones IP Law, LLC;
Dennis W. Jones

(57) **CLAIM**

The ornamental design for a pet waste pouch, as shown and described.

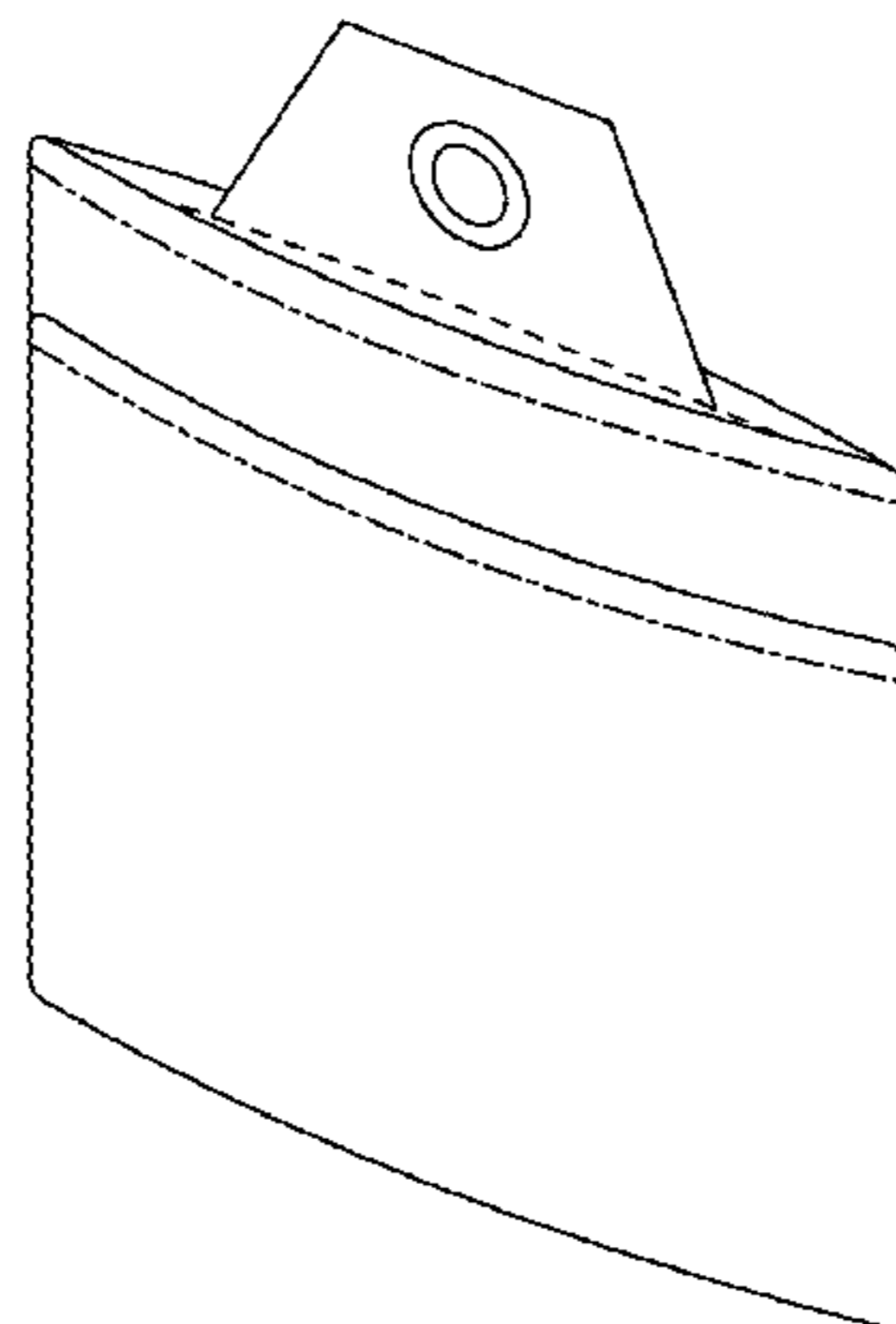
DESCRIPTION

FIG. 1 is a front perspective view of a pet waste pouch; FIG. 2 is a front elevation view of the pet waste pouch; FIG. 3 is a rear elevation view of the pet waste pouch; FIG. 4 is a top plan view thereof with front pouch open, and with front and back spread open to show the inside liner; FIG. 5 is a front elevation view of the pet waste pouch with the inside liner pulled up; FIG. 6 is a rear elevation view of the pet waste pouch with the inside liner pulled up; FIG. 7 is a front perspective view of the pet waste pouch shown in conjunction with an exemplary shoulder strap; FIG. 8 is a front elevation view thereof; FIG. 9 is a rear elevation view thereof; FIG. 10 is a rear elevation view of the pet waste pouch shown in conjunction with exemplary belt loops; and, FIG. 11 is a rear elevation view of the pet waste pouch shown in conjunction with an exemplary belt clip attachment.

The dot-dash broken lines illustrate stitching of the claimed design.

Broken lines and unshaded portions contained within broken lines depict either unclaimed features of the pet waste pouch or exemplary components that might be used in conjunction with the pet waste pouch that form no part of the design claim but are shown for illustrative purposes.

1 Claim, 6 Drawing Sheets



(58) **Field of Classification Search**

CPC A61F 13/551; A61F 13/5515; A61F 13/5518; A61F 13/15252; A61F 2013/55195; A61F 2013/55155; A61F 15/003; A41D 19/0075; A41D 19/0024; A41D 19/01; B65F 1/0006; B65F 2210/102; B65F 2240/164; B65D 33/001; B65D 33/065; B65D 33/10; B65D 33/2508; B65D 75/008-30; B65D 75/56; B65D 75/52; B65D 75/566-5883; B65D 2575/586; B65D 83/08; B65B 3/17; E01H 1/12; E01H 1/1206; E01H 2001/126; E01H 2001/128; E01H 2001/124; E01H 2001/122; E01H 2001/1226; E01H 2001/1233; E01H 2001/1246; E01H 2001/1273; E01H 2001/1286; A01K 23/005; A01K 23/00

See application file for complete search history.

5,112,138 A * 5/1992 Peppiatt B65D 33/10 383/203
 5,280,978 A * 1/1994 Bohn E01H 1/1206 294/1.3
 D344,407 S * 2/1994 Derrickson D3/245
 D396,751 S * 8/1998 Wyant D19/26
 5,836,629 A * 11/1998 Hobart E01H 1/1206 294/1.3
 6,045,170 A * 4/2000 Allen E01H 1/1206 294/1.3
 6,126,215 A * 10/2000 Jahns E01H 1/1206 294/1.3
 D433,228 S * 11/2000 Wentling, Jr. D3/224
 6,273,481 B1 * 8/2001 Columbo A01K 13/00 206/223
 6,290,058 B1 * 9/2001 Lee B42F 7/02 206/232
 D473,373 S * 4/2003 Sledge D3/226
 D483,562 S * 12/2003 Barton D3/226
 6,745,894 B2 * 6/2004 Dean A41D 19/0075 206/204
 D494,852 S * 8/2004 Meador D9/704
 D541,668 S * 5/2007 Pokusa D9/709
 D541,669 S * 5/2007 Pokusa D9/709
 7,494,279 B2 * 2/2009 Marquet B65D 33/008 383/10
 D596,395 S * 7/2009 Cutler D3/221
 7,845,694 B1 * 12/2010 Lockwood A47L 13/18 15/227
 D652,183 S * 1/2012 Hall D30/162
 D679,093 S * 4/2013 Harris D3/303
 D707,967 S * 7/2014 Spallone D3/303
 8,961,012 B2 * 2/2015 Martin B65D 33/10 383/10
 D739,143 S * 9/2015 Eskandry D3/303
 9,469,423 B2 * 10/2016 Thomas, Jr. B65B 3/17
 D843,715 S * 3/2019 Schickel D3/226
 2003/0190097 A1 * 10/2003 Hajianpour B65D 33/007 383/9
 2006/0045391 A1 * 3/2006 Reglar B65D 33/2591 383/42
 2009/0282786 A1 * 11/2009 Bland B65B 67/00 53/469
 2010/0237640 A1 * 9/2010 Chia E01H 1/1206 294/1.3
 2011/0210571 A1 * 9/2011 Dan A41D 19/0024 294/1.3
 2011/0311168 A1 * 12/2011 Pawloski B65D 33/255 383/63
 2013/0018350 A1 * 1/2013 McNulty A61F 13/56 604/385.03
 2015/0230431 A1 * 8/2015 Patterson, Jr. A01K 27/008 220/495.07

(56) **References Cited**

U.S. PATENT DOCUMENTS

3,580,486 A * 5/1971 Kugler B65D 31/00 383/120
 3,676,887 A * 7/1972 Klein E01H 1/1206 15/104.8
 4,103,952 A * 8/1978 Thompson E01H 1/1206 206/216
 D252,355 S * 7/1979 Uber 224/600
 D253,196 S * 10/1979 Harrie D3/226
 4,186,786 A * 2/1980 Kirkpatrick B65D 33/255 383/63
 4,252,356 A * 2/1981 Tokuzumi E01H 1/1206 294/1.3
 4,601,390 A * 7/1986 Rosenthal B65D 71/0022 206/175
 D288,744 S * 3/1987 Taylor D3/226
 4,717,262 A * 1/1988 Roen B65D 31/08 383/104
 4,721,396 A * 1/1988 Sengewald B65D 33/065 383/120
 4,838,327 A * 6/1989 Ambler A61F 15/003 141/114
 4,854,733 A * 8/1989 Schwinn B65D 33/10 383/29
 4,907,633 A * 3/1990 Eckstein A45C 3/08 150/105
 4,913,693 A * 4/1990 Ball B65D 33/065 493/194
 5,036,978 A * 8/1991 Frank B65D 75/5833 206/494

D494,852 S * 8/2004 Meador D9/704
 D541,668 S * 5/2007 Pokusa D9/709
 D541,669 S * 5/2007 Pokusa D9/709
 7,494,279 B2 * 2/2009 Marquet B65D 33/008 383/10
 D596,395 S * 7/2009 Cutler D3/221
 7,845,694 B1 * 12/2010 Lockwood A47L 13/18 15/227
 D652,183 S * 1/2012 Hall D30/162
 D679,093 S * 4/2013 Harris D3/303
 D707,967 S * 7/2014 Spallone D3/303
 8,961,012 B2 * 2/2015 Martin B65D 33/10 383/10
 D739,143 S * 9/2015 Eskandry D3/303
 9,469,423 B2 * 10/2016 Thomas, Jr. B65B 3/17
 D843,715 S * 3/2019 Schickel D3/226
 2003/0190097 A1 * 10/2003 Hajianpour B65D 33/007 383/9
 2006/0045391 A1 * 3/2006 Reglar B65D 33/2591 383/42
 2009/0282786 A1 * 11/2009 Bland B65B 67/00 53/469
 2010/0237640 A1 * 9/2010 Chia E01H 1/1206 294/1.3
 2011/0210571 A1 * 9/2011 Dan A41D 19/0024 294/1.3
 2011/0311168 A1 * 12/2011 Pawloski B65D 33/255 383/63
 2013/0018350 A1 * 1/2013 McNulty A61F 13/56 604/385.03
 2015/0230431 A1 * 8/2015 Patterson, Jr. A01K 27/008 220/495.07

* cited by examiner

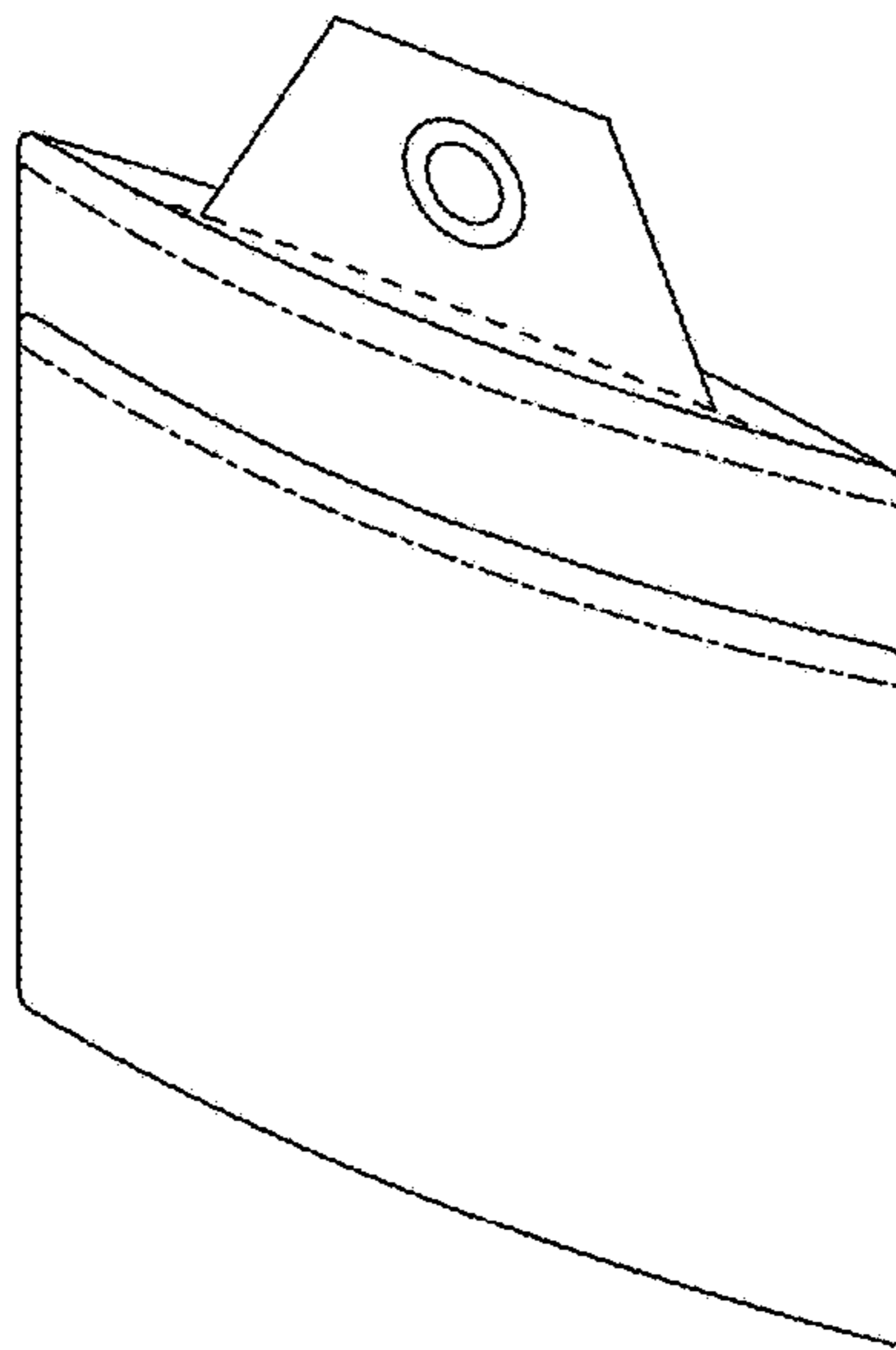


Fig. 1

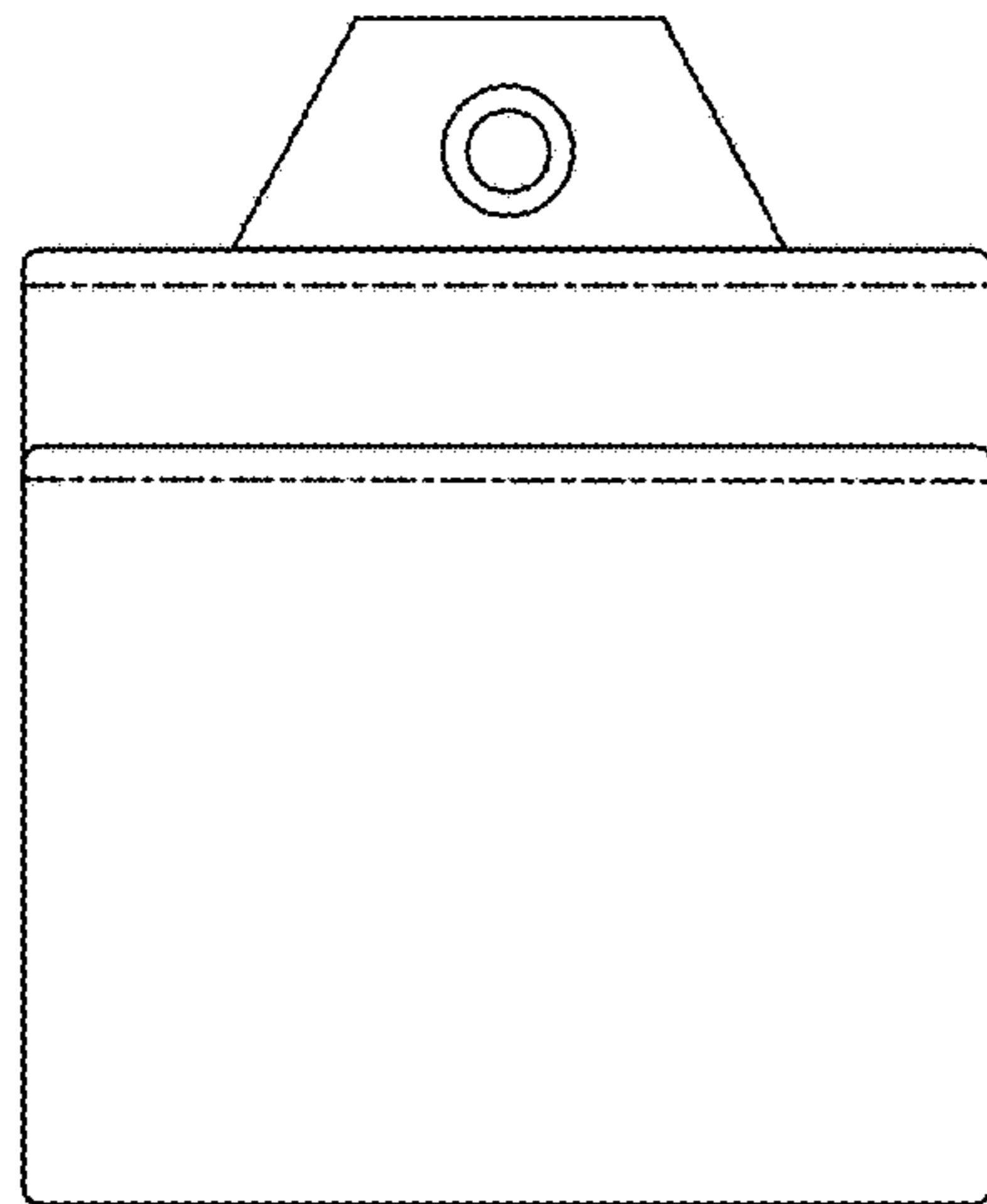


Fig. 2

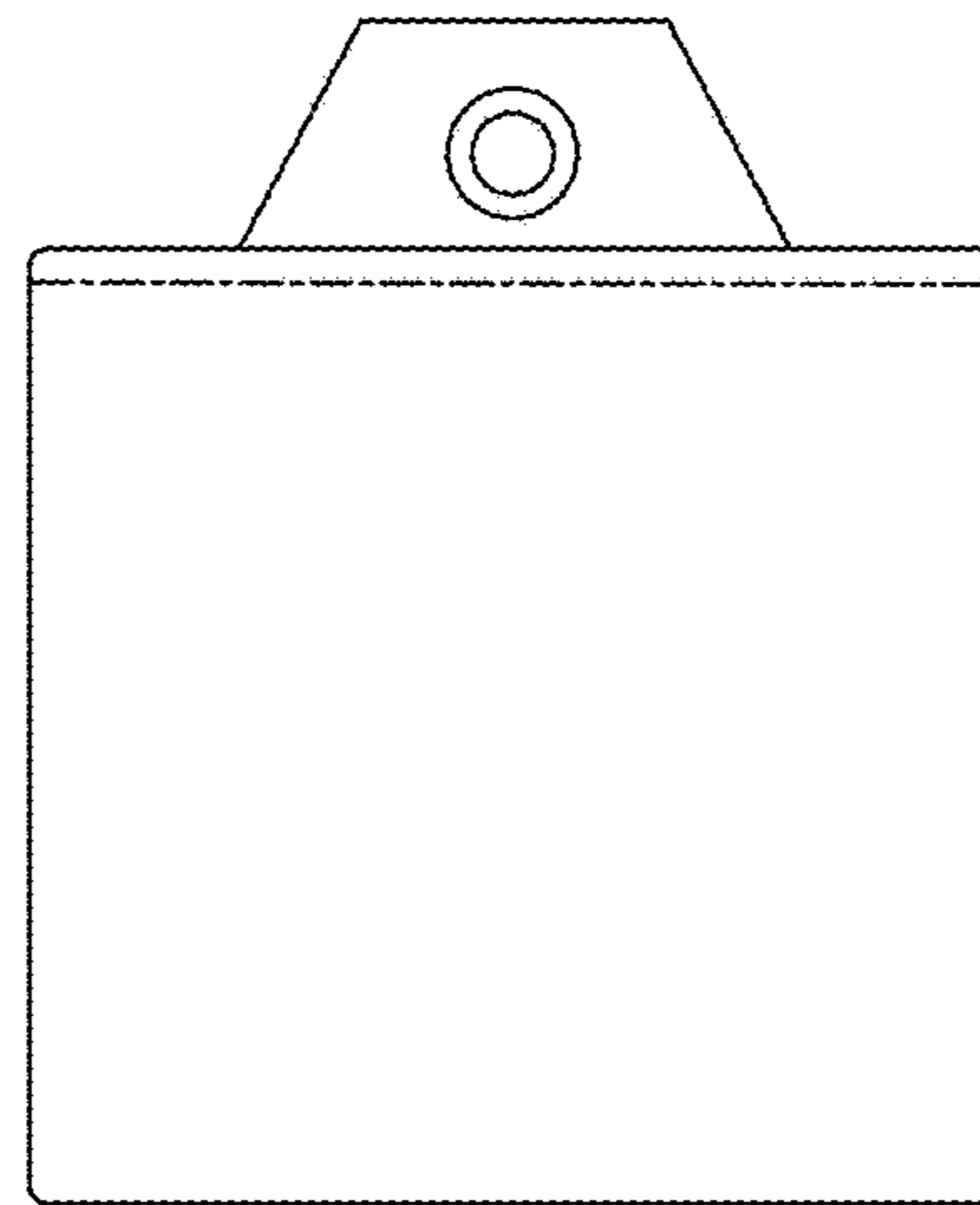


Fig. 3



Fig. 4

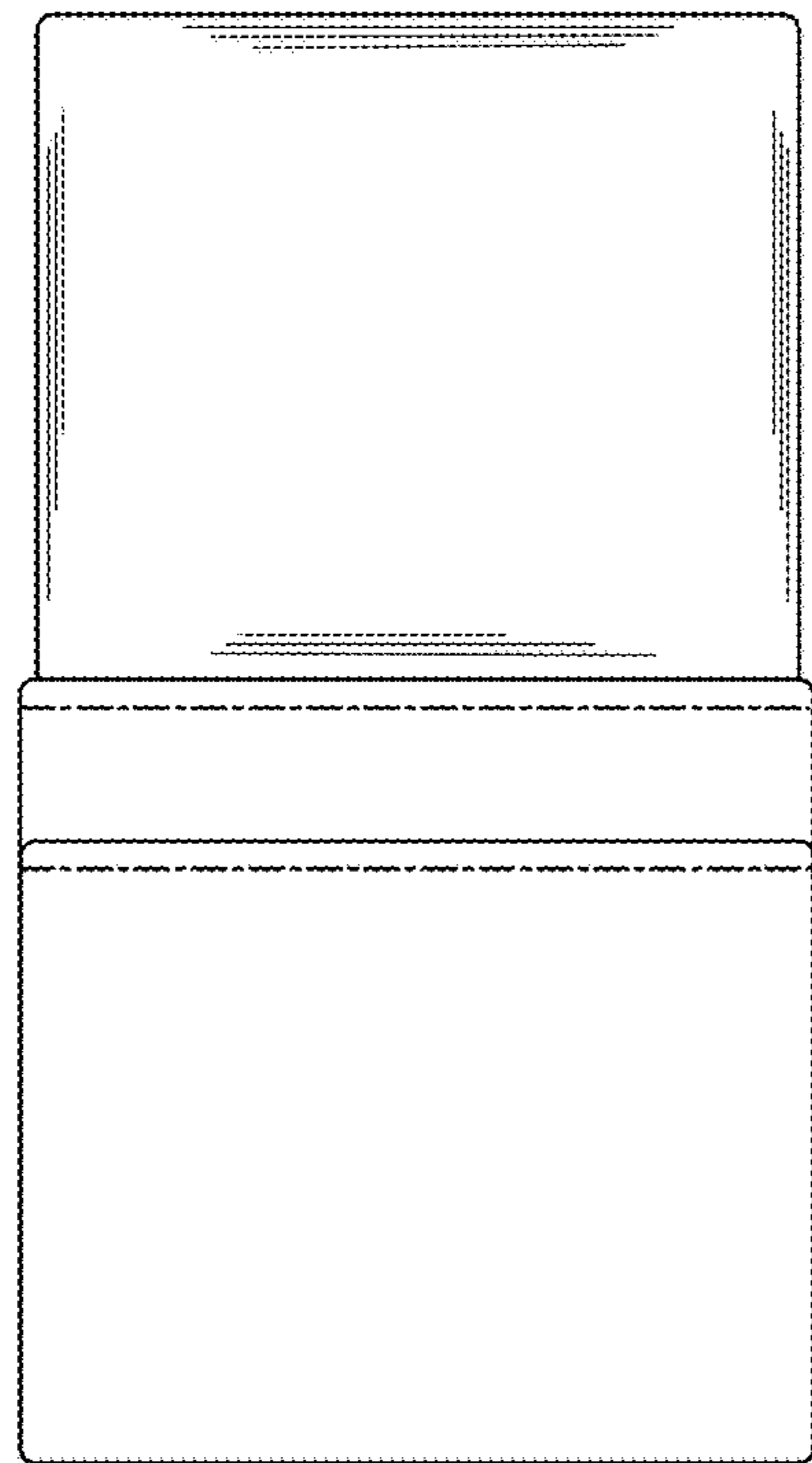


Fig. 5

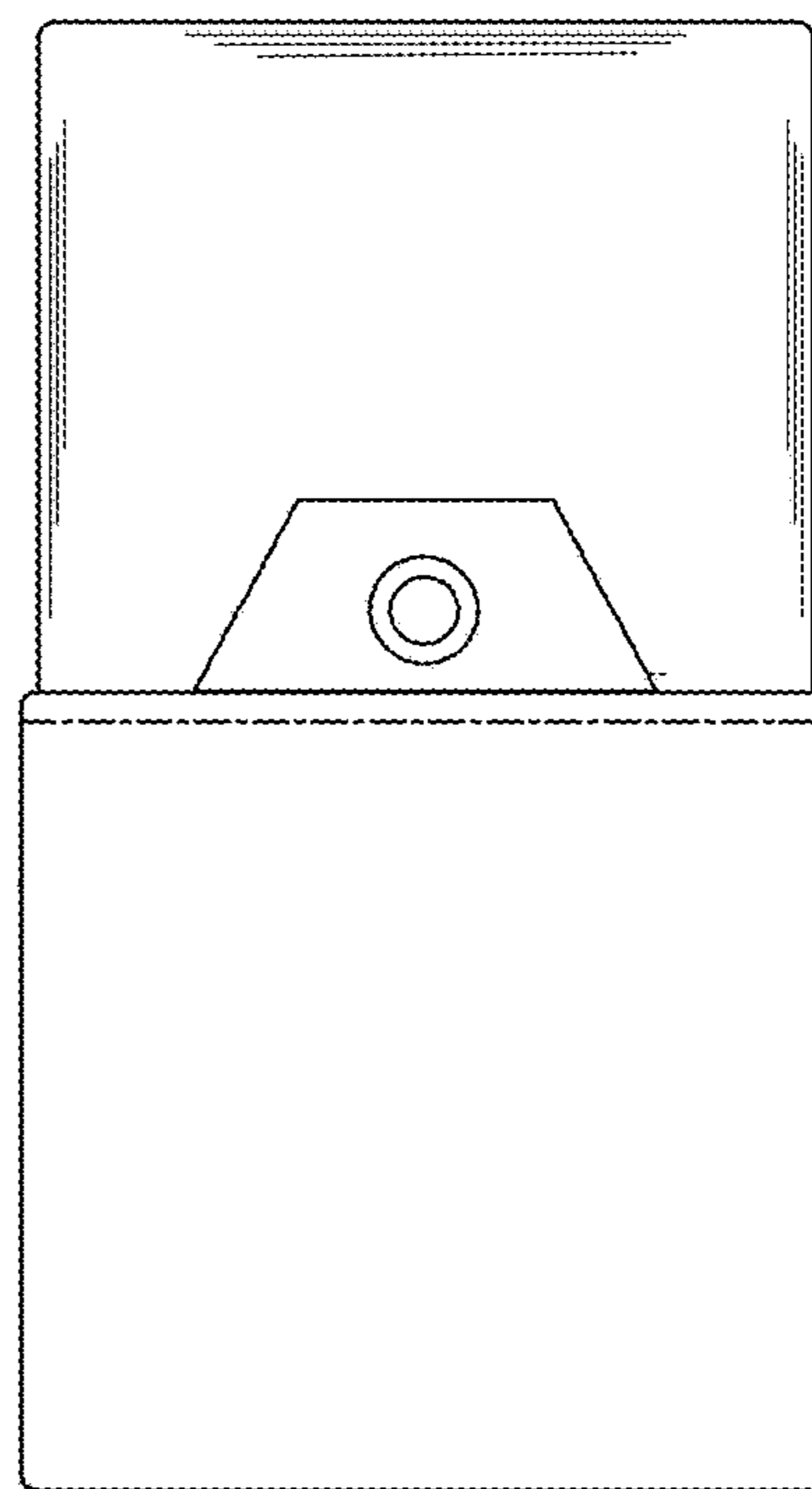


Fig. 6

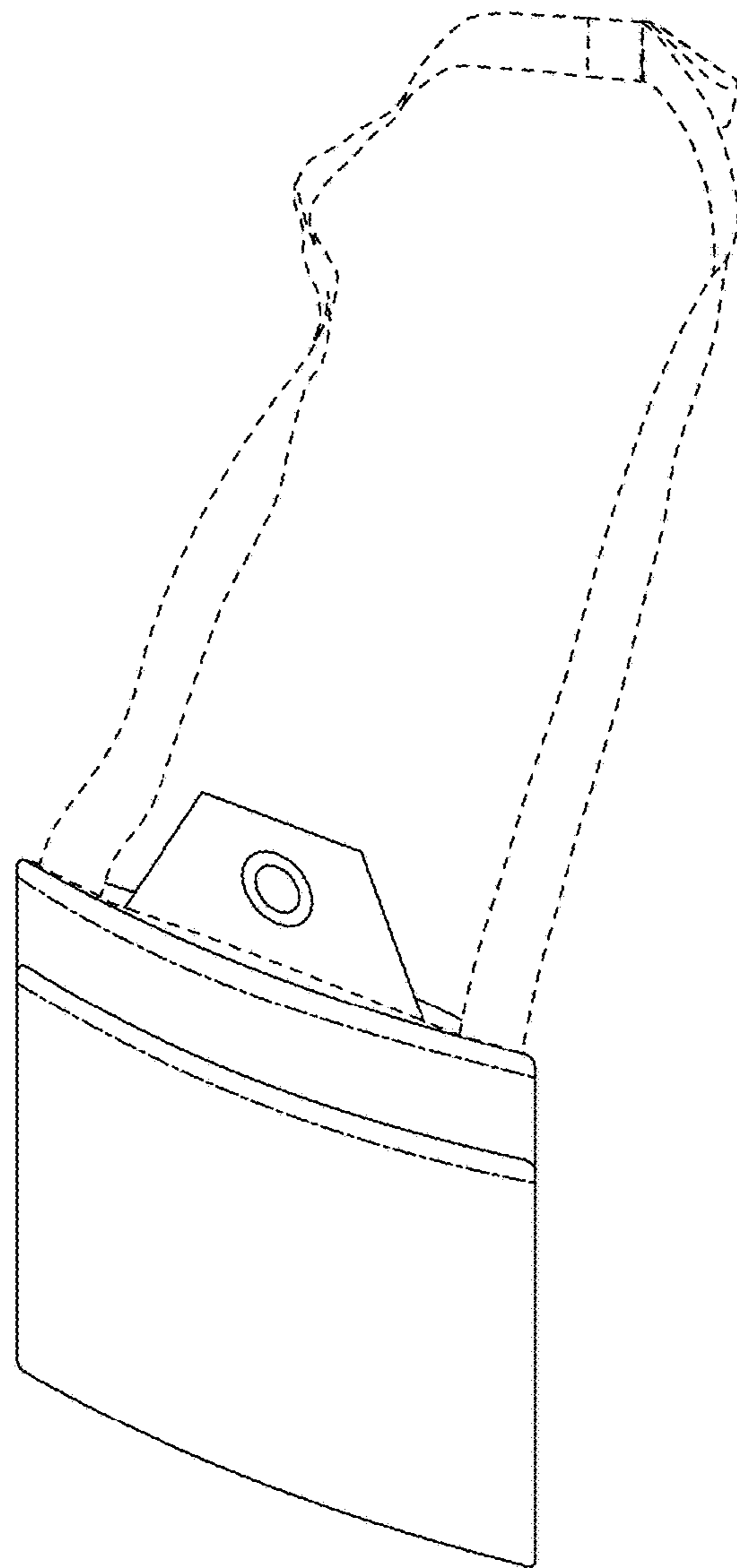


Fig. 7

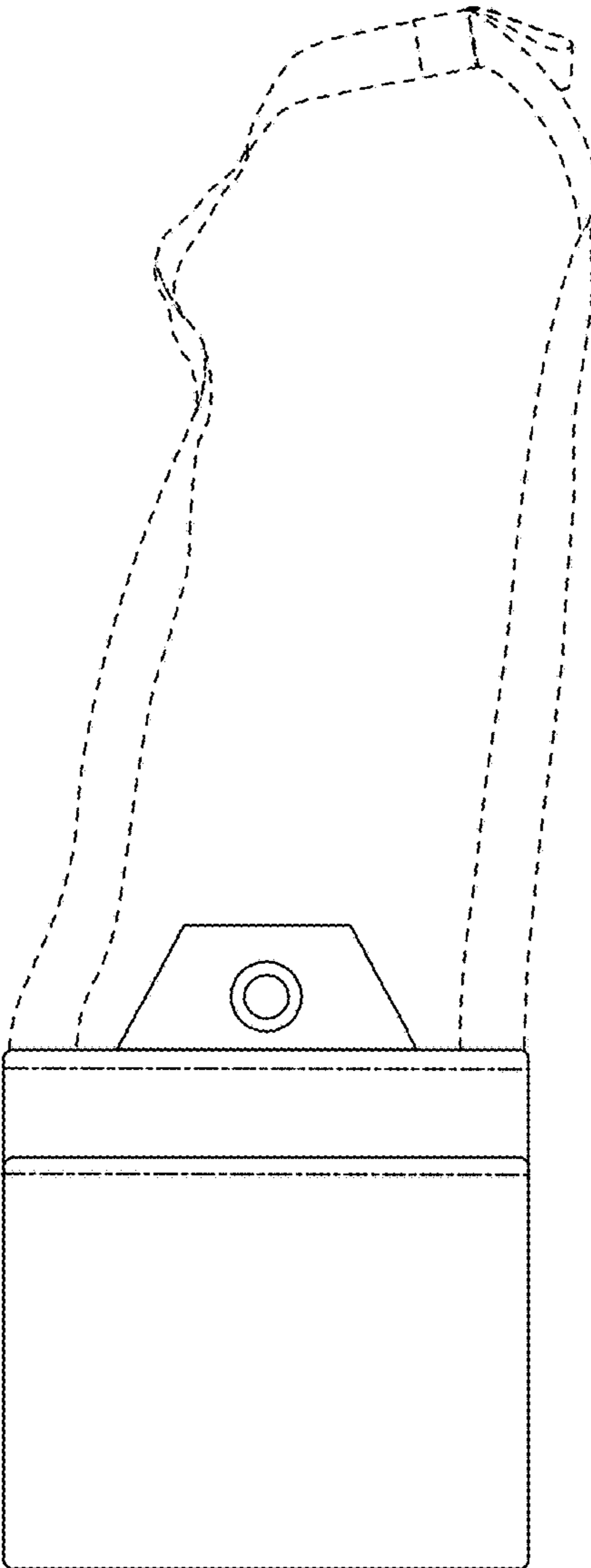


Fig. 8

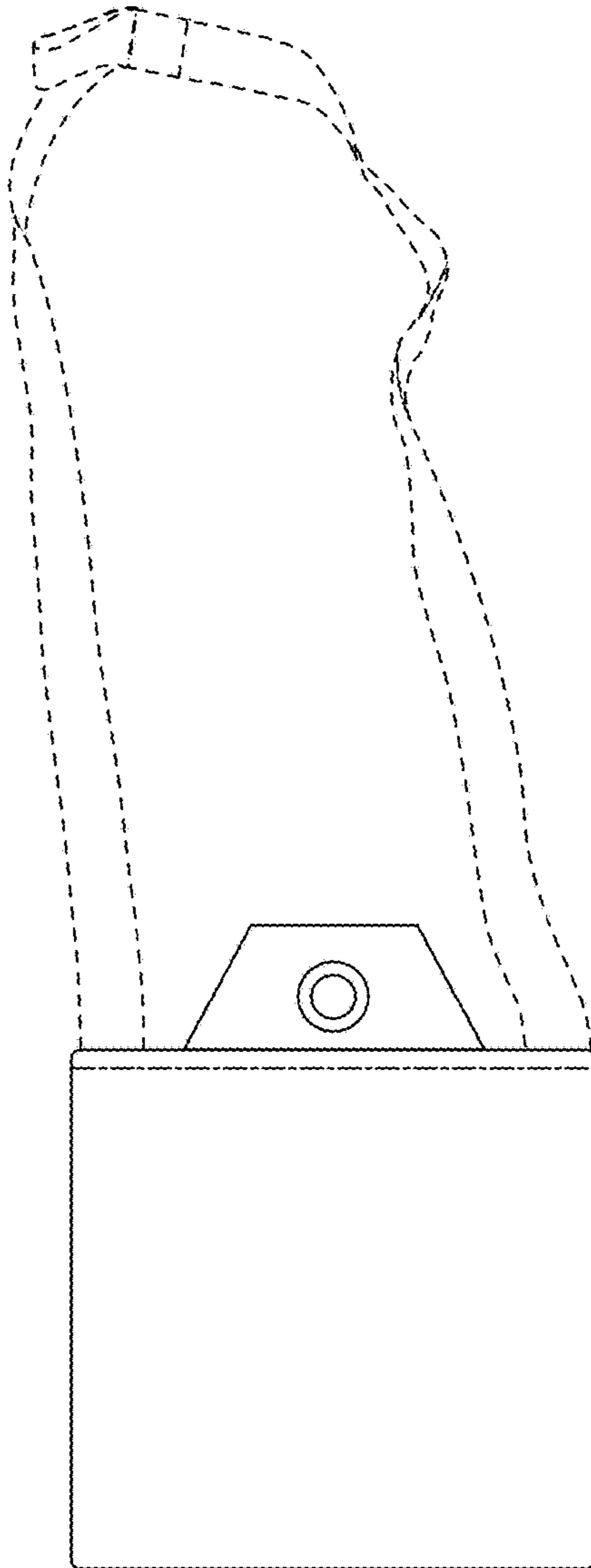


Fig. 9

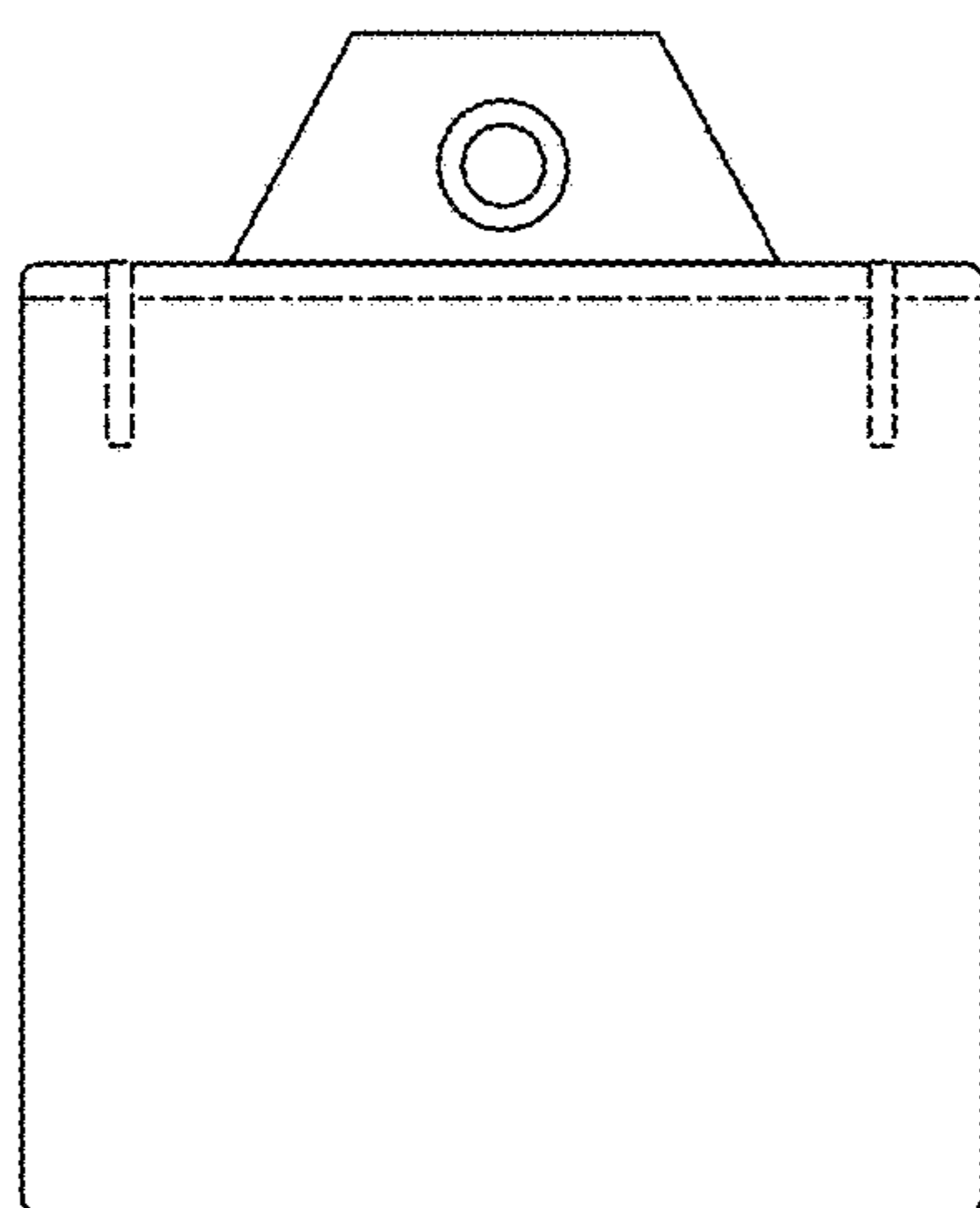


Fig. 10

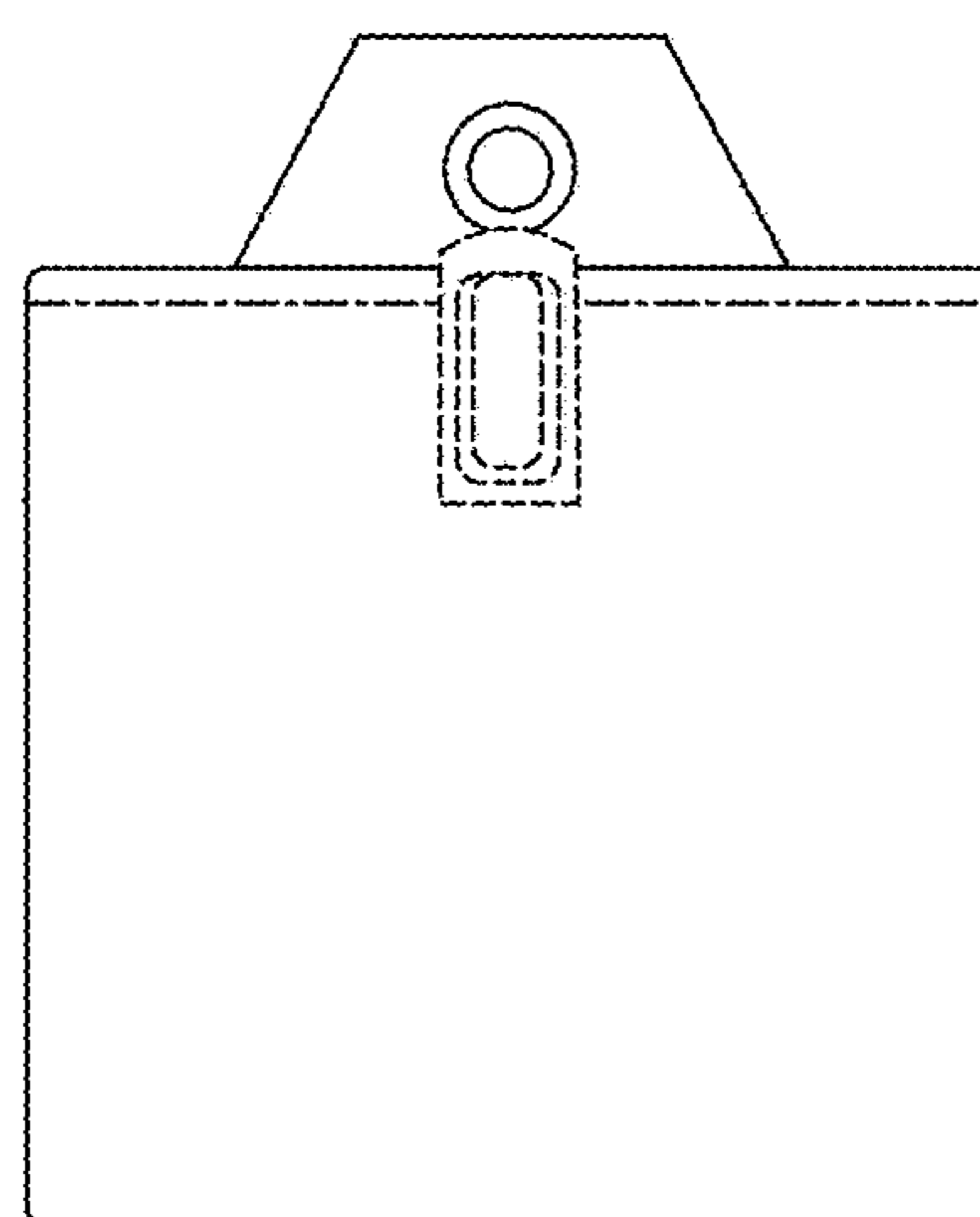


Fig. 11