



US00D866876S

(12) **United States Design Patent** (10) **Patent No.:** **US D866,876 S**
Smith (45) **Date of Patent:** **** Nov. 12, 2019**

(54) **WEIGHTED VEST FOR DOGS**
(71) Applicant: **Stanley Lawrence Smith**, Forney, TX (US)
(72) Inventor: **Stanley Lawrence Smith**, Forney, TX (US)

6,662,754 B1 * 12/2003 Wilson A01K 13/006
119/850
D507,084 S * 7/2005 Sabeh-Azar D30/144
7,918,192 B1 * 4/2011 Digh A01K 13/006
119/850
D651,364 S * 12/2011 Luckenbach D30/145
D673,738 S * 1/2013 Lanzendorf D30/145
(Continued)

(**) Term: **15 Years**

(21) Appl. No.: **29/621,211**

(22) Filed: **Oct. 5, 2017**

(51) **LOC (12) Cl.** **30-01**

(52) **U.S. Cl.**
USPC **D30/145**

(58) **Field of Classification Search**
USPC D30/144, 145, 152, 199; D29/101.4;
D21/683; D2/828-830
CPC ... A01K 27/008; A01K 13/006; A01K 27/002
See application file for complete search history.

(56) **References Cited**

U.S. PATENT DOCUMENTS

4,658,442 A * 4/1987 Tomlinson A63B 21/065
2/102
D293,354 S * 12/1987 Nelson D21/683
D313,291 S * 12/1990 Shanley D30/145
D313,676 S * 1/1991 Indursky D30/145
D352,816 S * 11/1994 Kirn D2/828
D370,510 S * 6/1996 Kissin D21/683
D384,788 S * 10/1997 Curry D2/828
D390,338 S * 2/1998 Plasco D2/828
D392,439 S * 3/1998 Okoniewski D2/828
D398,738 S * 9/1998 De La Rosa D2/828
D409,697 S * 5/1999 Ott D21/683
D411,576 S * 6/1999 Hames D2/828
6,209,135 B1 * 4/2001 Irvin A63B 21/0603
2/102
D461,036 S * 8/2002 Forbes D2/828
6,443,101 B1 * 9/2002 Fazio A01K 27/002
119/792

OTHER PUBLICATIONS

“FaceBook—XDOG Vest.” Found online Apr. 9, 2019 at www.facebook.com. Photo uploaded Feb. 20, 2017. Retrieved from URL: <https://www.facebook.com/xdogvest/photos/a.257202601371808/257202508038484/?type=3> (Year: 2017).*

(Continued)

Primary Examiner — Garth Rademaker
Assistant Examiner — Katelin G Kloberg
(74) *Attorney, Agent, or Firm* — Renner Kenner Greive
Bobak Taylor and Weber; Tim Hodgkiss

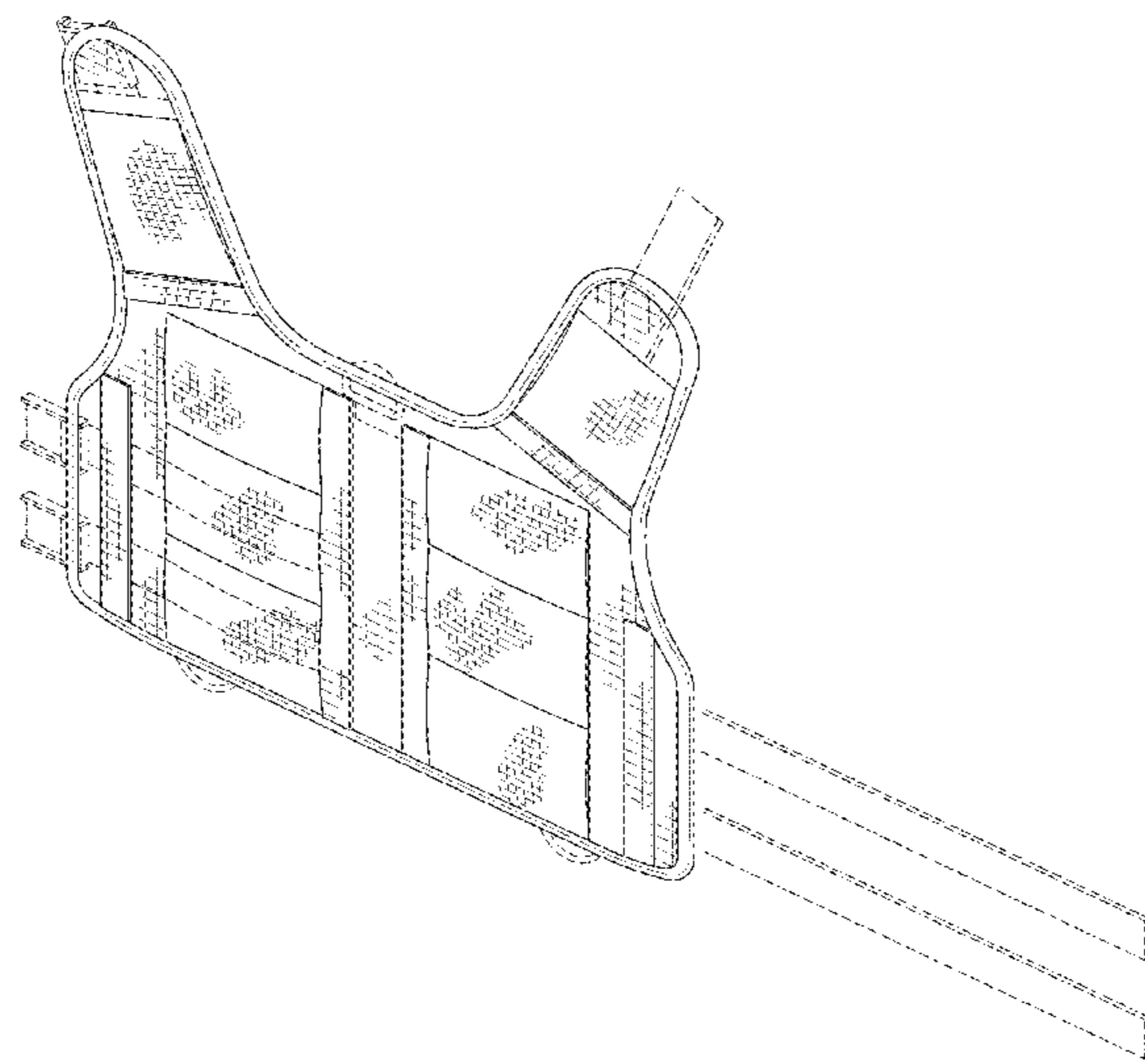
(57) **CLAIM**

The ornamental design for a weighted vest for dogs, as shown and described.

DESCRIPTION

FIG. 1 is a top front perspective view of the weighted vest for dogs showing my new design;
FIG. 2 is a front elevation view thereof;
FIG. 3 is a rear elevation view thereof;
FIG. 4 is a right elevation view thereof;
FIG. 5 is a left elevation view thereof;
FIG. 6 is a top plan view thereof; and,
FIG. 7 is a bottom plan view thereof.
The broken lines shown in the drawings illustrate portions of the weighted vest for dogs that form no part of the claimed design.

1 Claim, 4 Drawing Sheets



(56)

References Cited

U.S. PATENT DOCUMENTS

D677,021 S * 2/2013 Blizzard A61D 9/00
D30/145
D725,840 S * 3/2015 Cozzolino D19/62
D745,748 S * 12/2015 Tacker-Betancourt D30/145
9,370,166 B1 * 6/2016 Ford A01K 27/002
D793,631 S * 8/2017 Speed D30/145
D802,854 S * 11/2017 Caruso D30/145
D803,957 S * 11/2017 Stocking, Sr. D21/683
9,931,531 B2 * 4/2018 Robinson A63B 21/065
D829,998 S * 10/2018 Groat D29/101.4
D837,454 S * 1/2019 Latimore D29/101.4
D842,400 S * 3/2019 Ross D21/683
2005/0284418 A1 * 12/2005 Benefiel A01K 13/006
119/850
2006/0090711 A1 * 5/2006 Richards A01K 13/006
119/850
2008/0301863 A1 * 12/2008 Goff A41D 13/0012
2/467
2010/0319632 A1 * 12/2010 Blizzard A01K 13/006
119/850

2010/0323824 A1 * 12/2010 Gamboa A63B 69/00
473/438
2012/0202658 A1 * 8/2012 Menefee, Sr. ... A63B 21/00061
482/124
2016/0157589 A1 * 6/2016 Austin A01K 27/008
224/258
2018/0055009 A1 * 3/2018 Wyatt A01K 29/005

OTHER PUBLICATIONS

“Instagram—XDOG vest.” Found online Apr. 9, 2019 at www.instagram.com. Page dated Apr. 20, 2017. Retrieved from URL: https://www.instagram.com/p/BTHVXPujzEG/?utm_source=ig_web_button_share_sheet (Year: 2017).*

“YouTube—Tom Dropik . . . Recommends the XDOG Vest.” Found online Apr. 9, 2019 at www.youtube.com. Video published Sep. 18, 2017. Retrieved from URL: <https://www.youtube.com/watch?v=M7tahPYna7g> (Year: 2017).*

“XDOG Weight and Fitness Vest.” Found online Apr. 9, 2019 at www.xdogvest.com. Product reviewed Nov. 29, 2017. Retrieved from URL: <https://xdogvest.com/collections/frontpage/products/weightvest> (Year: 2017).*

* cited by examiner

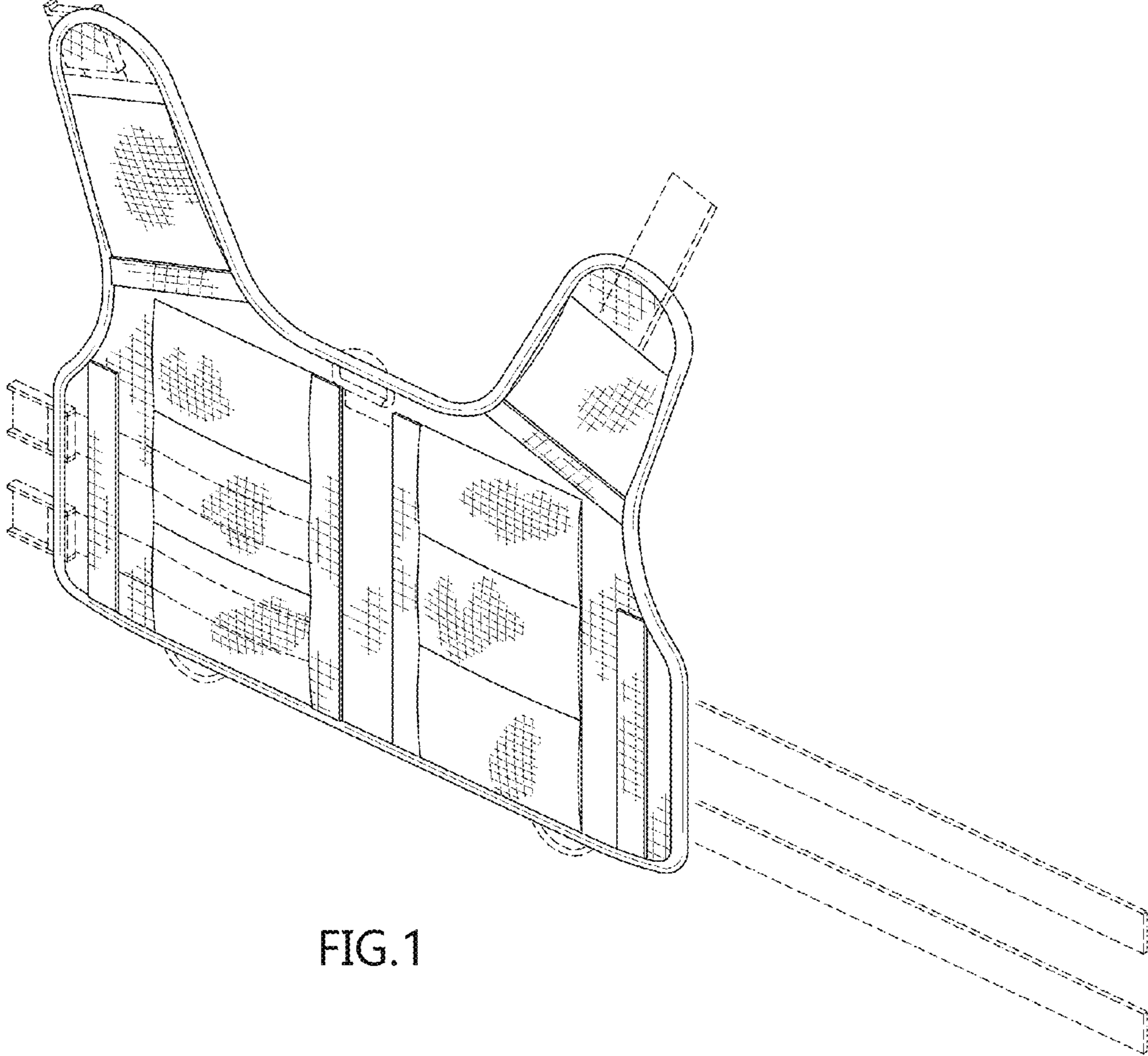


FIG. 1

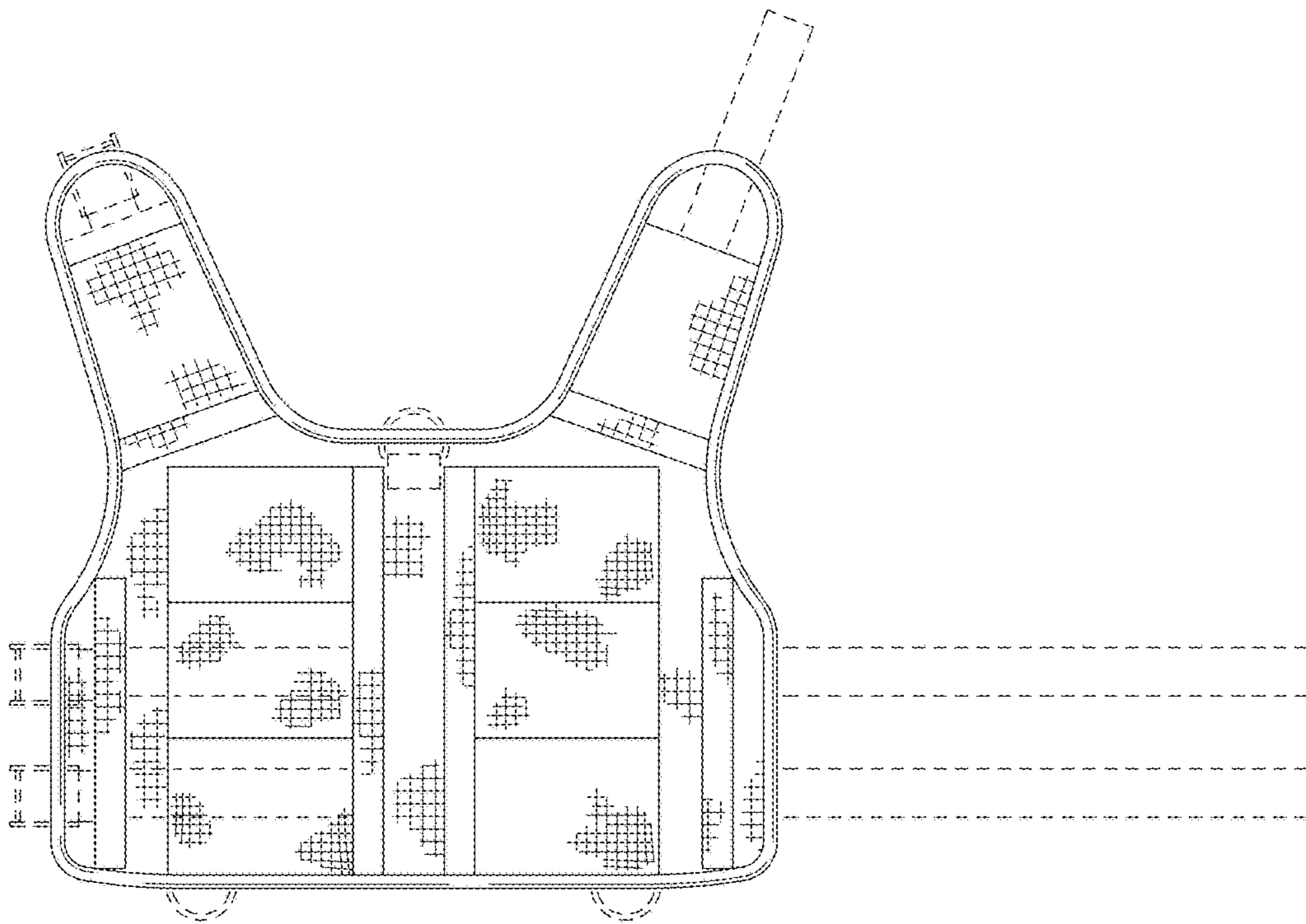


FIG.2

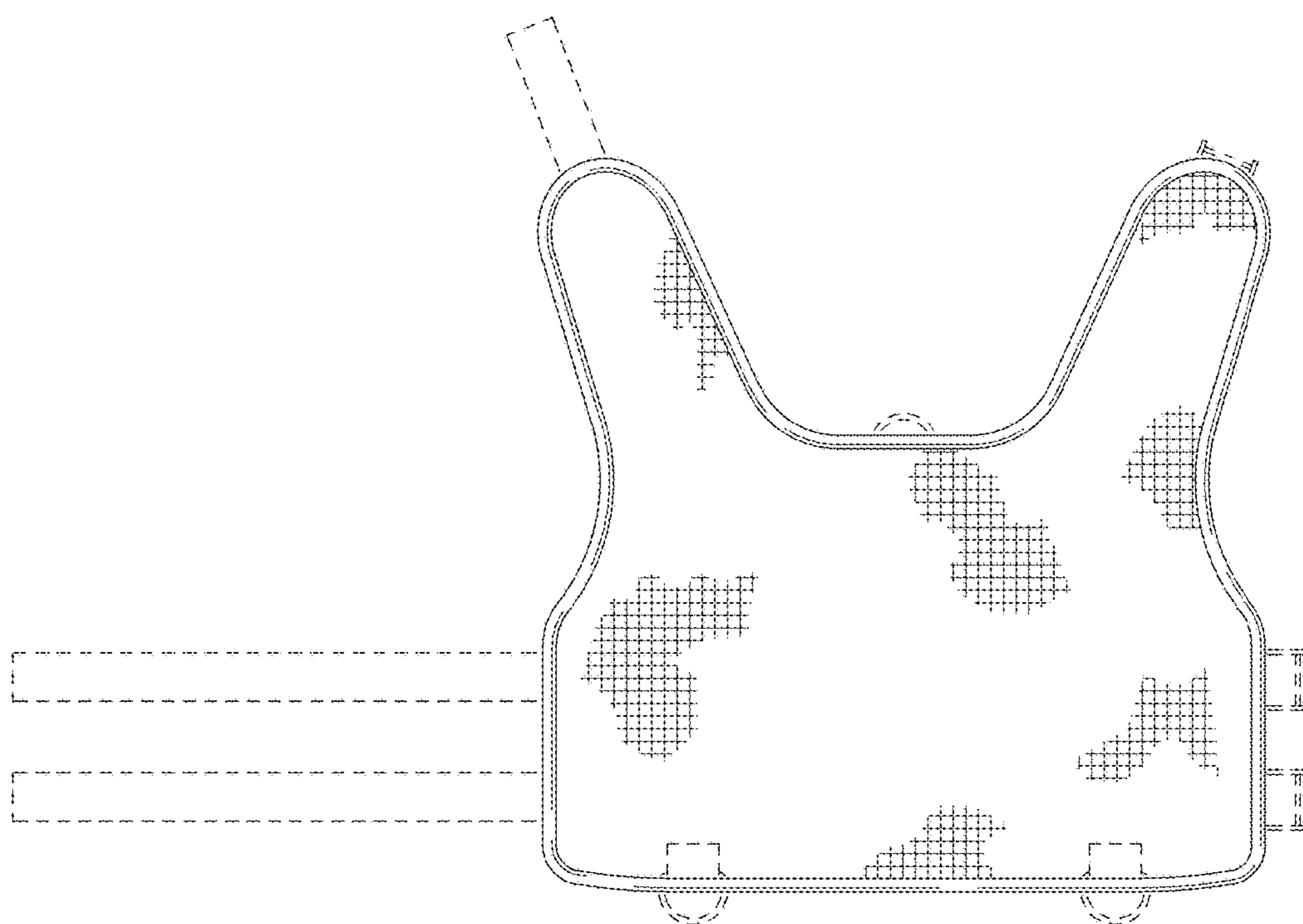


FIG. 3

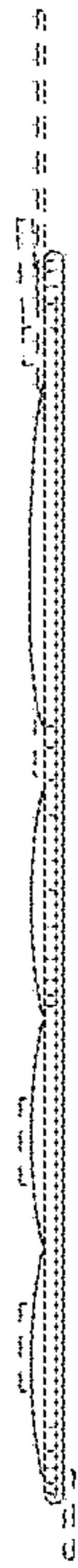


FIG. 4



FIG. 5

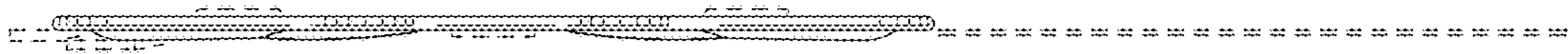


FIG. 6

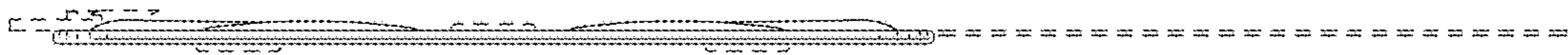


FIG. 7