

US00D866868S

(12) **United States Design Patent**
Armstrong et al.

(10) **Patent No.:** **US D866,868 S**

(45) **Date of Patent:** **** Nov. 12, 2019**

(54) **SOFT HELMET**

(71) Applicant: **ICE HALO, LTD**, Barrie, Ontario (CA)

(72) Inventors: **Barbara Armstrong**, Barrie (CA);
Brad Armstrong, Barrie (CA)

(73) Assignee: **Ice Halo, Ltd.**, Ontario (CA)

(**) Term: **15 Years**

(21) Appl. No.: **29/673,723**

(22) Filed: **Dec. 17, 2018**

Related U.S. Application Data

(62) Division of application No. 29/653,667, filed on Jun. 18, 2018.

(30) **Foreign Application Priority Data**

Dec. 18, 2017 (CA) 178830
Dec. 18, 2017 (CA) 178831

(51) **LOC (12) Cl.** **09-03**

(52) **U.S. Cl.**
USPC **D29/102**

(58) **Field of Classification Search**

USPC D29/102-110, 112, 122; D2/869, 870;
358/471; D16/208
CPC .. A63B 71/10; A42B 3/00; A42B 3/18; A42B
3/20; A42B 3/185; A42B 3/225; A42B
3/121; A42B 3/12; A42B 3/0406; A42B
3/10; A42B 1/04; A42B 1/041; A61F 9/06
See application file for complete search history.

(56) **References Cited**

U.S. PATENT DOCUMENTS

D292,330 S * 10/1987 McColough D29/106
5,615,419 A * 4/1997 Williams A42B 3/00
2/411

D482,163 S * 11/2003 Brown D29/102
D564,134 S * 3/2008 Brundage D29/102
D565,799 S * 4/2008 Timms D29/102
D584,000 S * 12/2008 Saluan D29/106
D603,099 S * 10/2009 Bologna D29/106
D625,050 S * 10/2010 Chen D29/106
D654,630 S * 2/2012 Chou D29/106
D663,901 S * 7/2012 Vito D29/122
D667,592 S * 9/2012 Vito D29/122
D678,617 S * 3/2013 Erb D29/106

(Continued)

OTHER PUBLICATIONS

Danmar Products,—<https://www.danmarproducts.com/ecommerce/soft-comfy-cap-with-design.html>, Jan. 2012.

(Continued)

Primary Examiner — Ruth McInroy

(74) *Attorney, Agent, or Firm* — Notio Law Group, LLC

(57) **CLAIM**

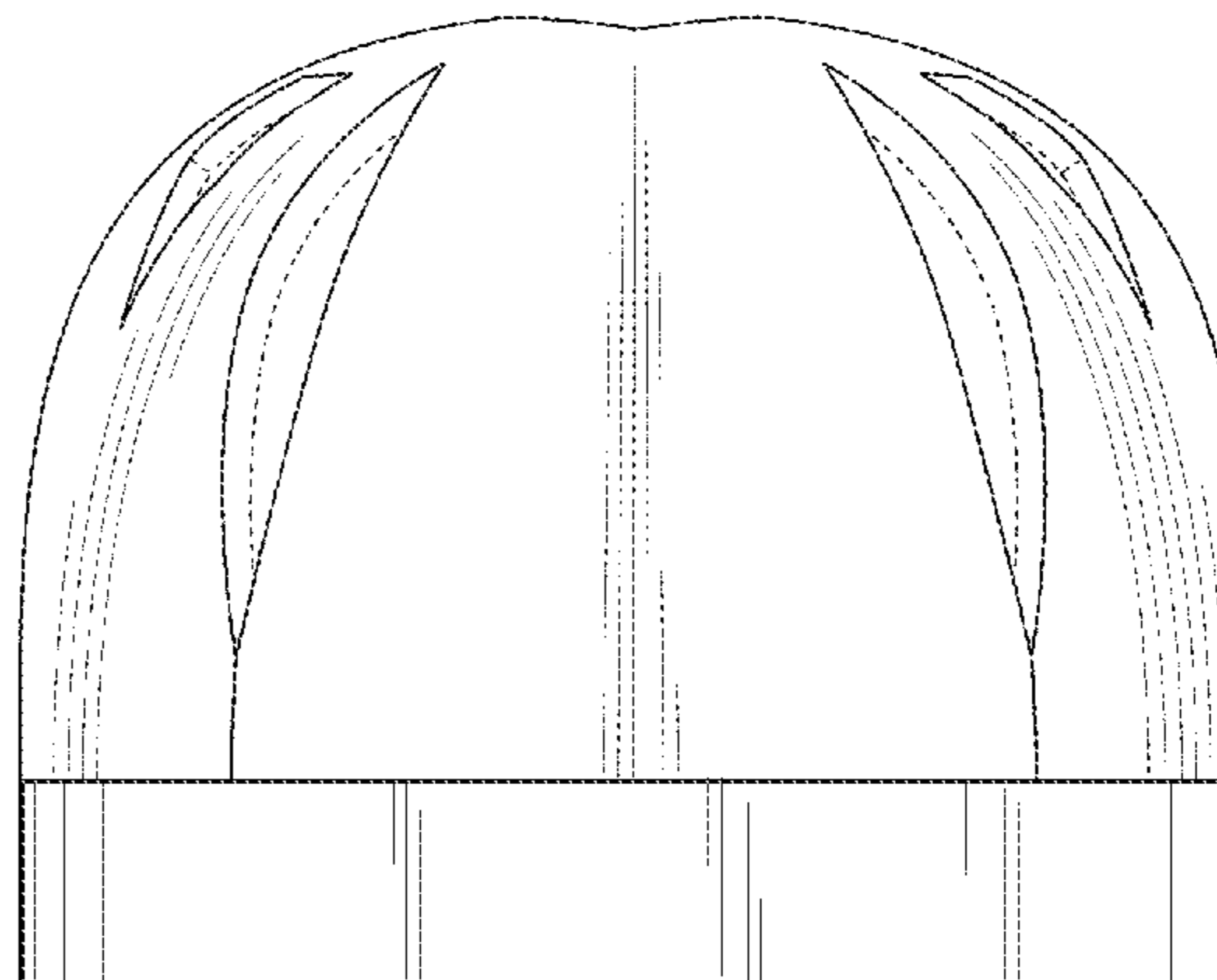
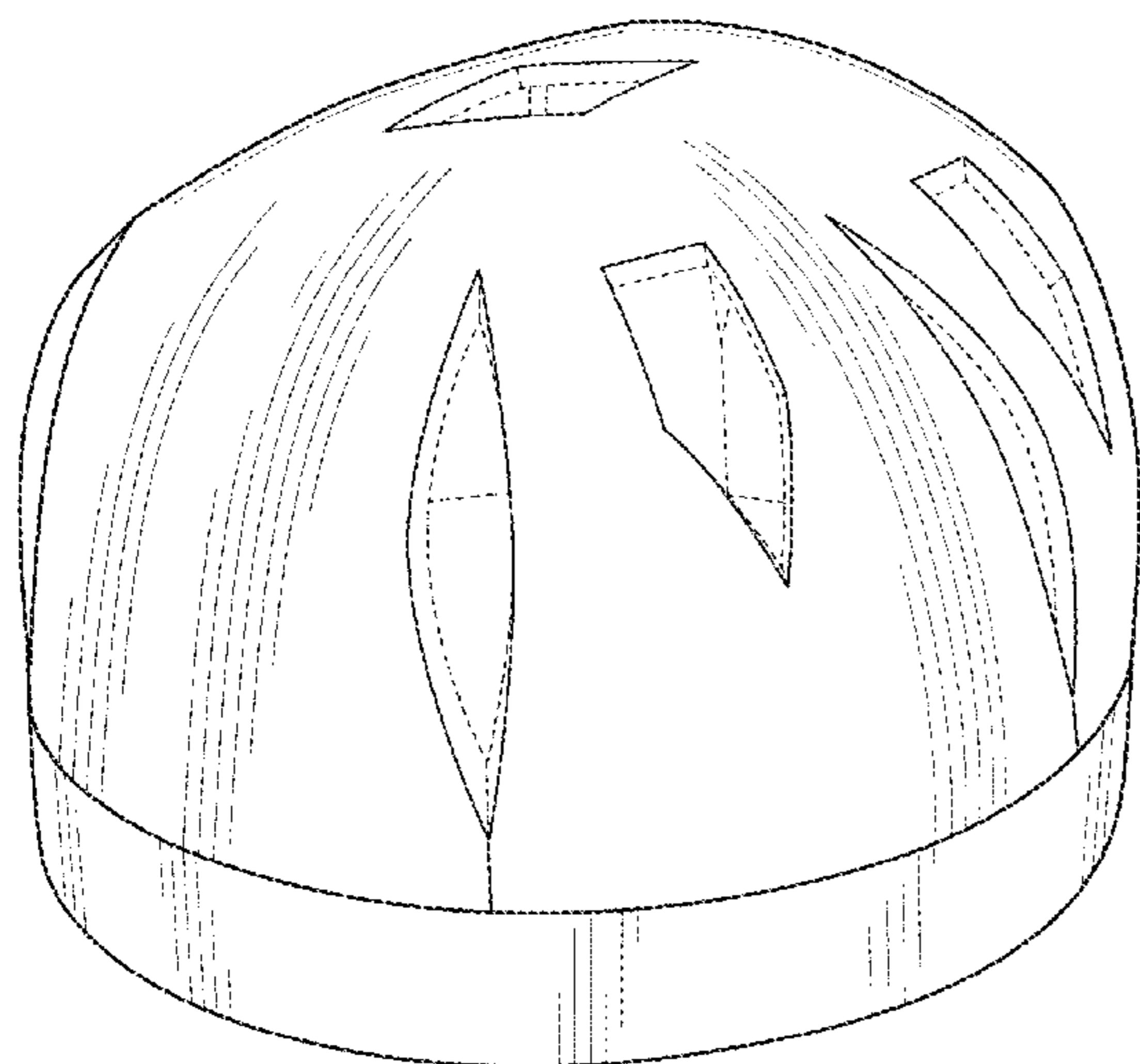
An ornamental design for a soft helmet, as shown and described.

DESCRIPTION

FIG. 1 is a top perspective view of a soft helmet.
FIG. 2 is a front elevation view of a soft helmet.
FIG. 3 is a rear elevation view of a soft helmet.
FIG. 4 is a left-side elevation view of a soft helmet.
FIG. 5 is a right-side elevation view of a soft helmet.
FIG. 6 is a top plan view of a soft helmet; and,
FIG. 7 is an exploded view illustrating a soft helmet and an inner helmet that may be used on the inside of the soft helmet.

The broken lines in the figures represent unclaimed matter included for the purpose of illustrating environment and form no part of the claimed design.

1 Claim, 4 Drawing Sheets



(56)

References Cited

U.S. PATENT DOCUMENTS

D681,279	S	*	4/2013	Armstrong	D29/102
D681,281	S	*	4/2013	Bologna	D29/106
D699,895	S	*	2/2014	Hill	D29/102
D704,894	S	*	5/2014	Jennings	D29/102
D704,895	S	*	5/2014	Jennings	D29/102
D705,491	S	*	5/2014	Jennings	D29/102
D739,087	S	*	9/2015	Jennings	D29/102
D752,824	S	*	3/2016	Vito	D29/122
D754,930	S	*	4/2016	Vito	D29/122
D764,116	S	*	8/2016	Collette	D29/106
D764,716	S	*	8/2016	Bologna	D29/102
D766,517	S	*	9/2016	Collette	D29/106
D773,738	S	*	12/2016	Collette	D29/102
D773,740	S	*	12/2016	Clark	D2/865
D774,257	S	*	12/2016	LaRocque	D29/106
D778,504	S	*	2/2017	Collette	D29/106
D805,255	S	*	12/2017	Hefer	D29/102
9,901,132	B2	*	2/2018	Hairston	A42B 1/041

OTHER PUBLICATIONS

North Coast Medical, https://www.ncmedical.com/item_104.html, May 26, 2015.

Especial Needs, <https://www.especialneeds.com/full-coverage-soft-shell-helmet.html>, May 2018.

GameBreaker, <https://gamebreaker.com/shop/gamebreaker-pro-soft-shell-sports-helmet/>; <https://gamebreaker.com/shop/gamebreaker-soft-shell-protective-headgear/>, Apr. 2017.

Ribcap, AD-Online.be, Jan. 2016.

* cited by examiner

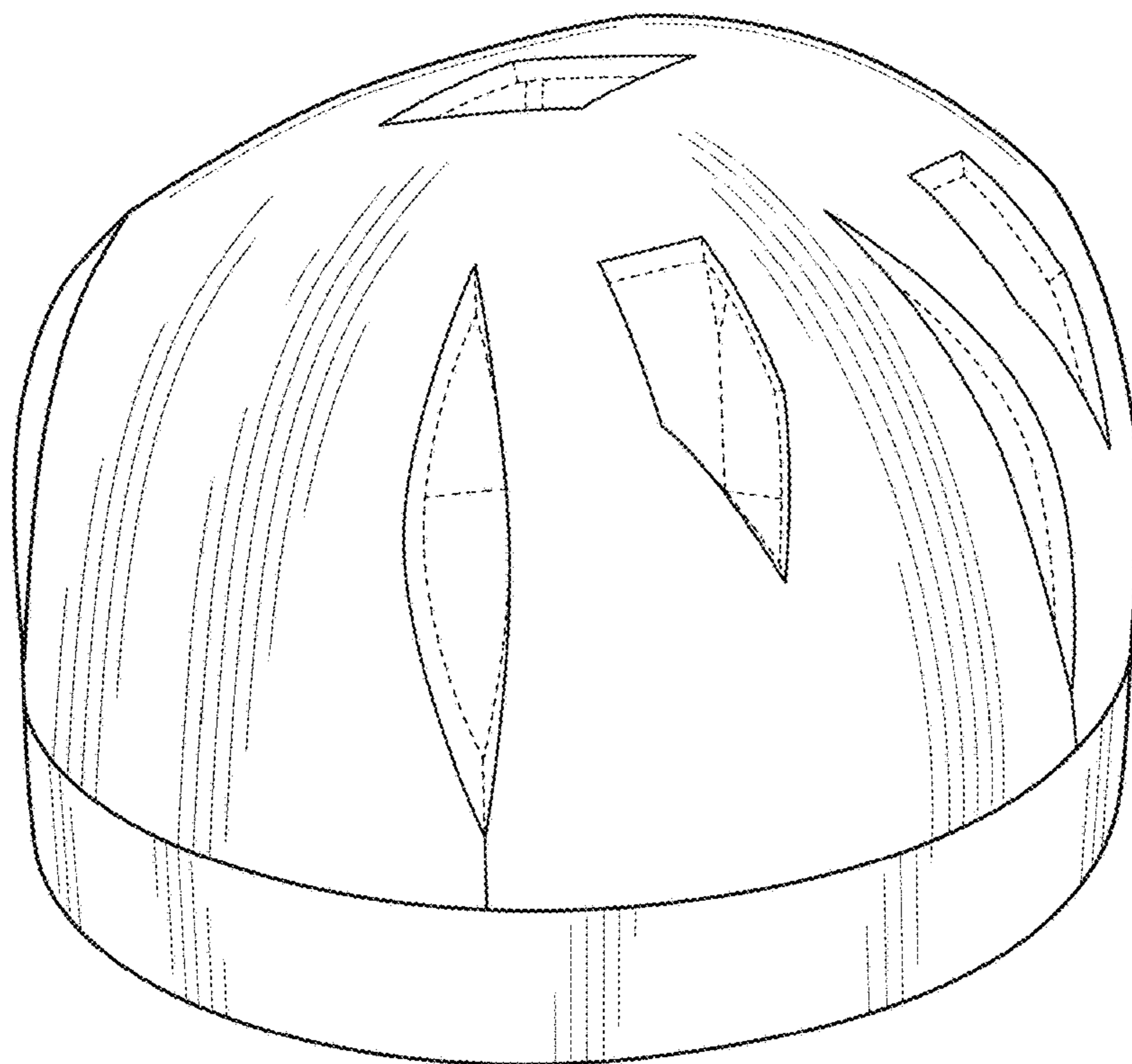


FIG. 1

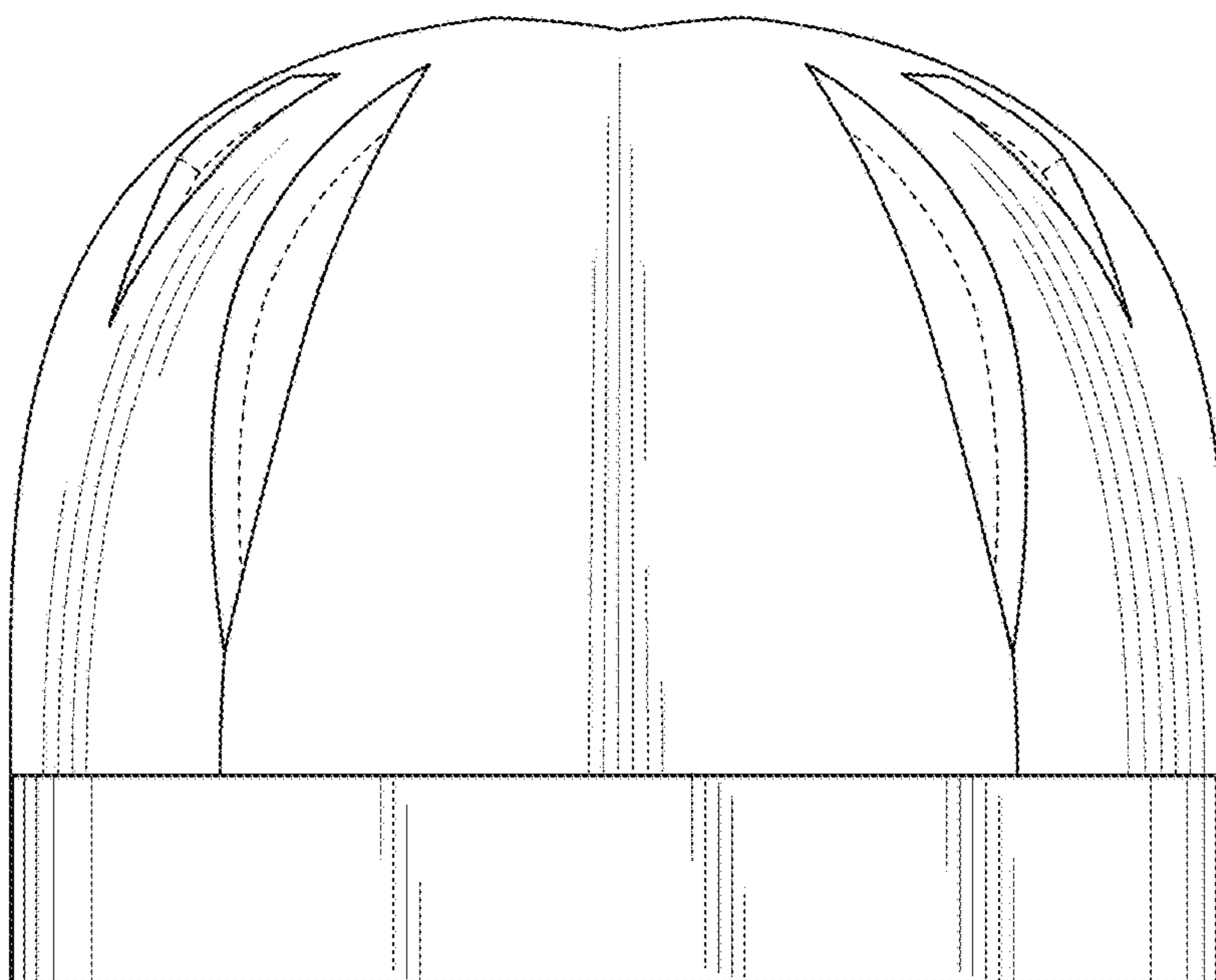


FIG. 2

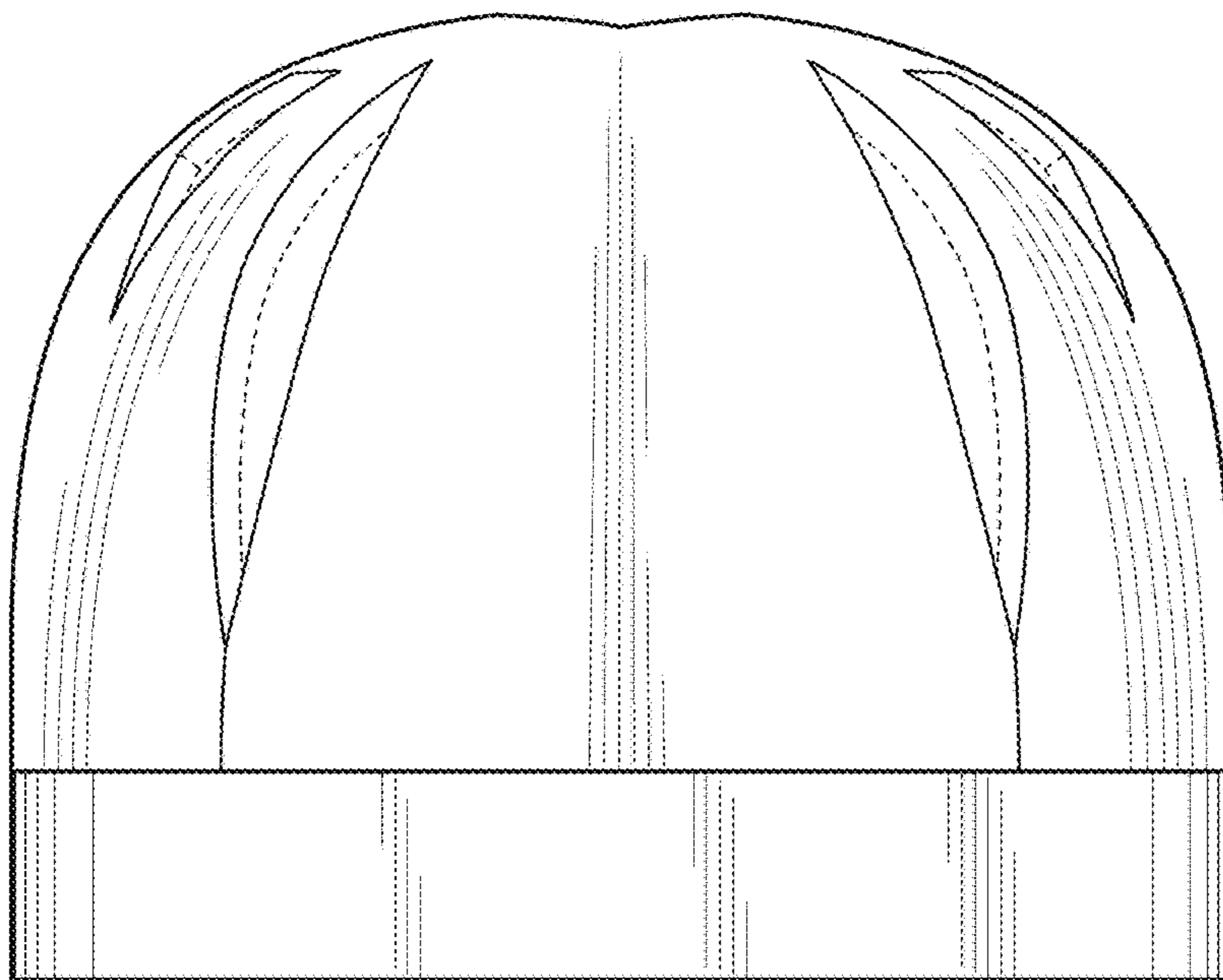


FIG. 3

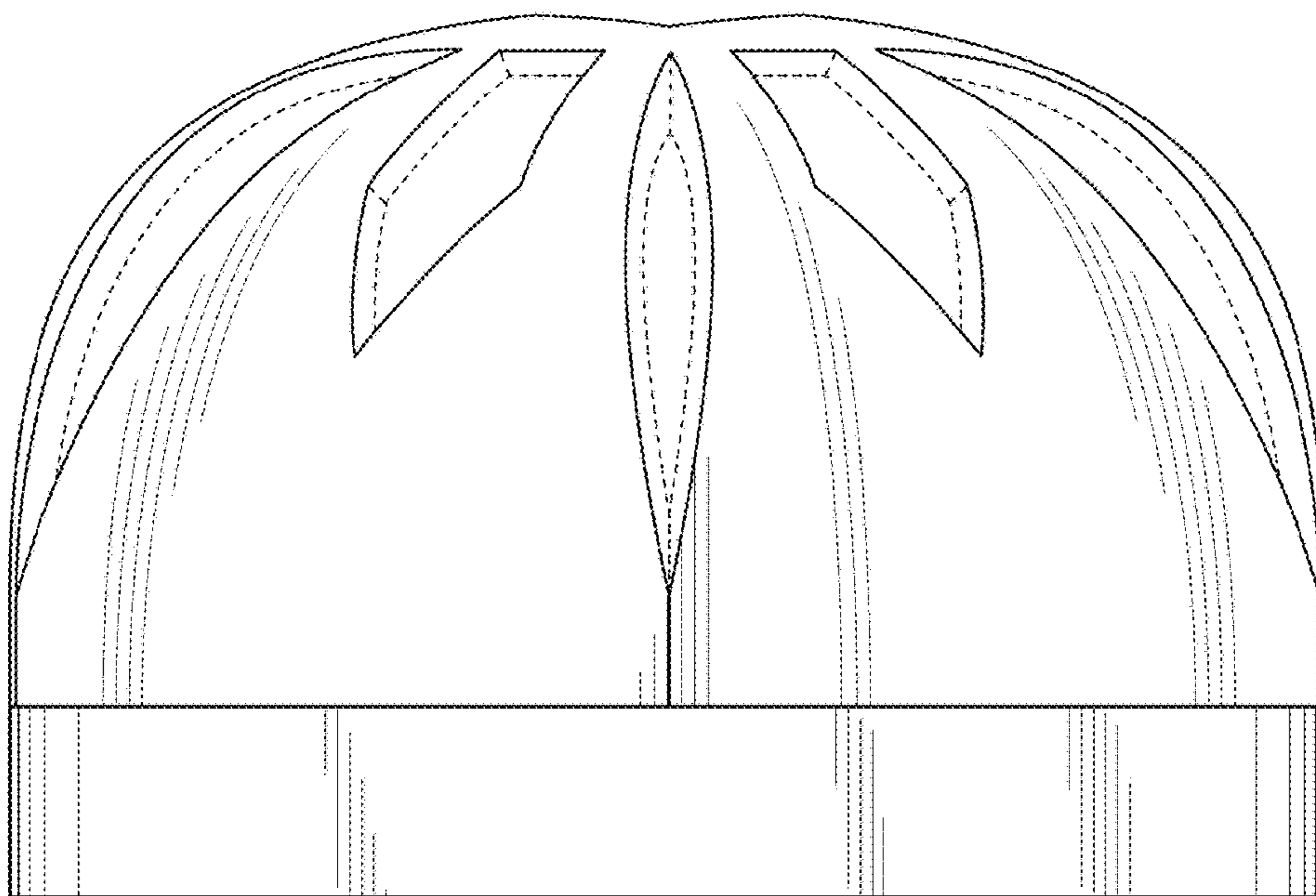


FIG. 4

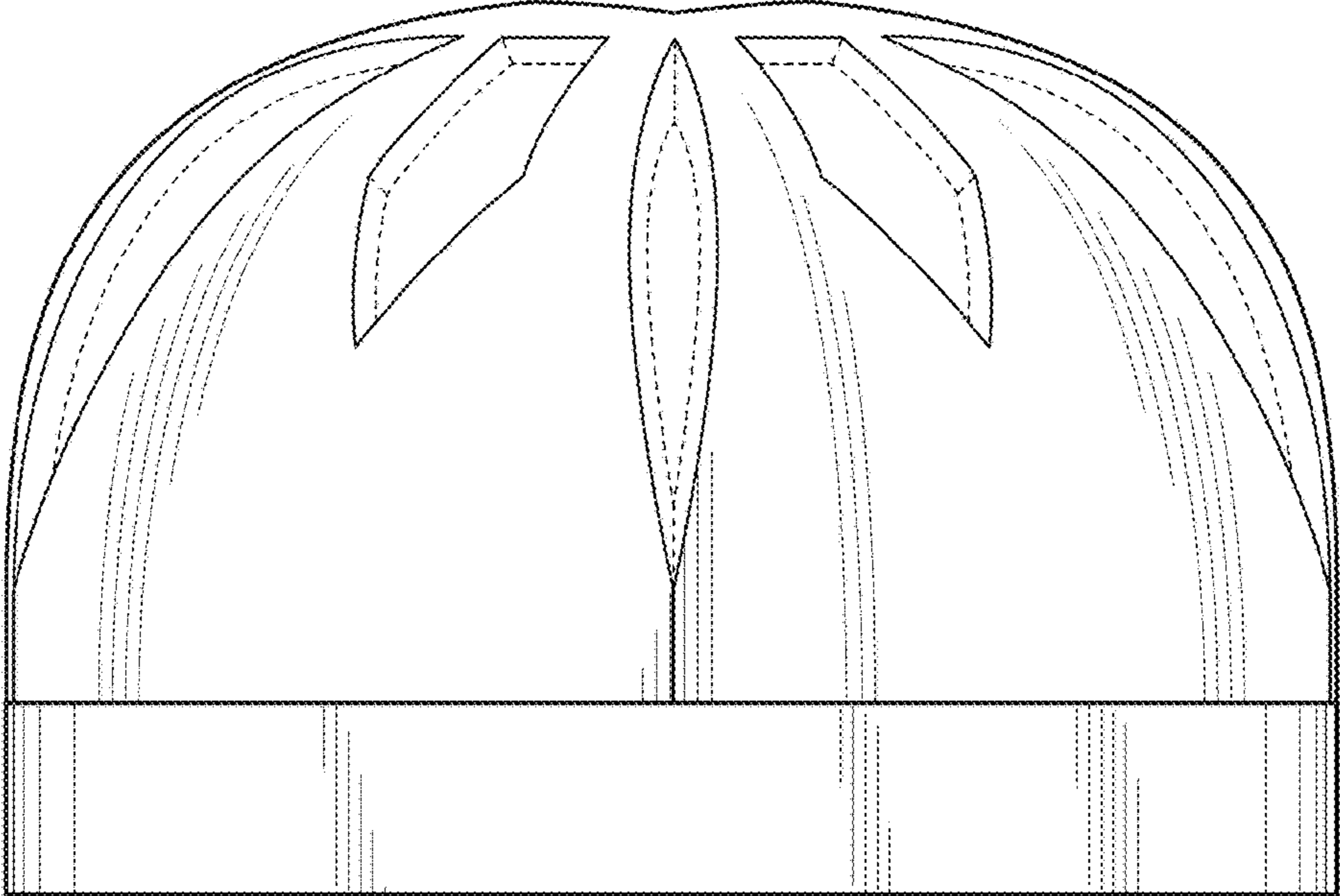


FIG. 5

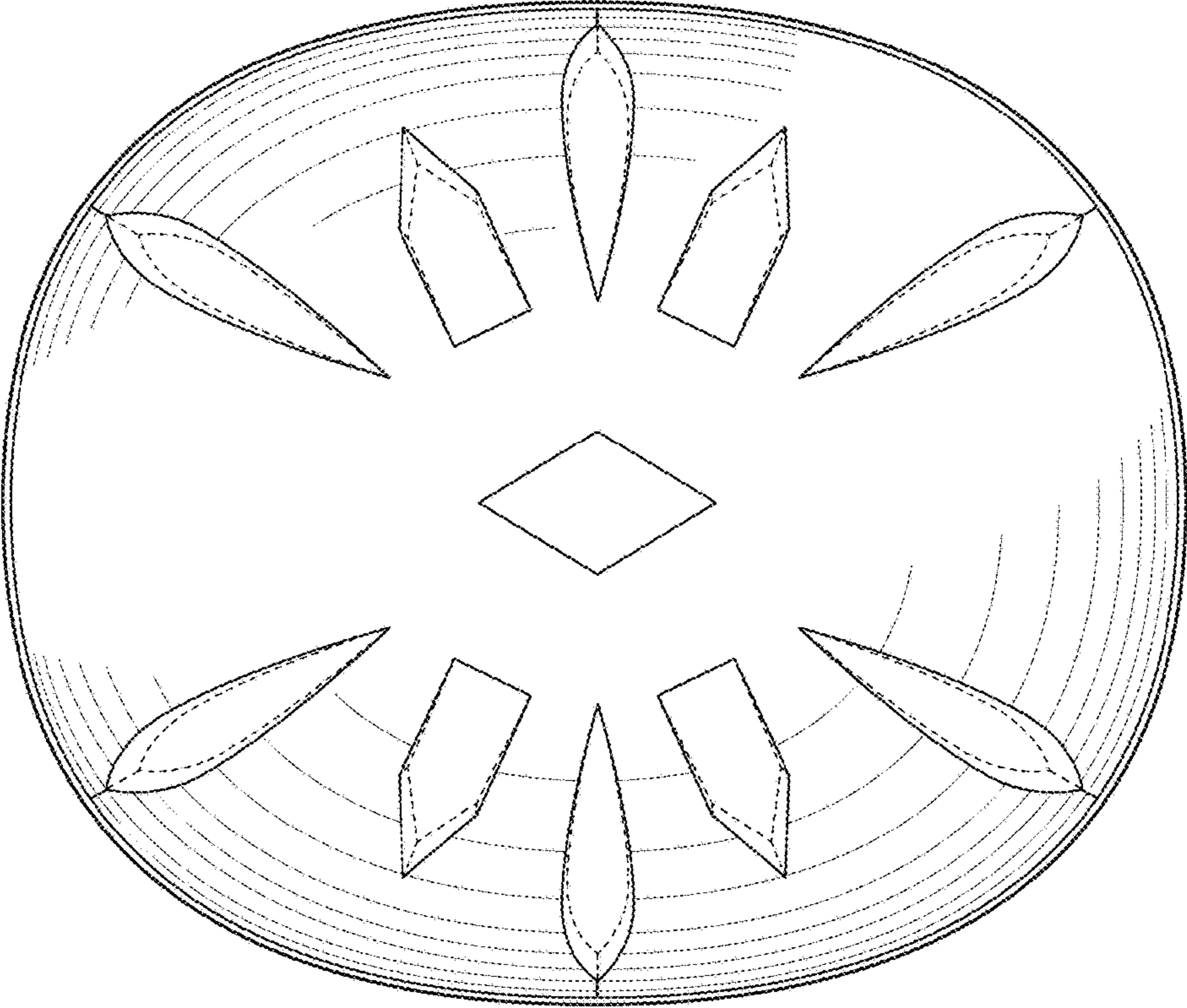


FIG. 6

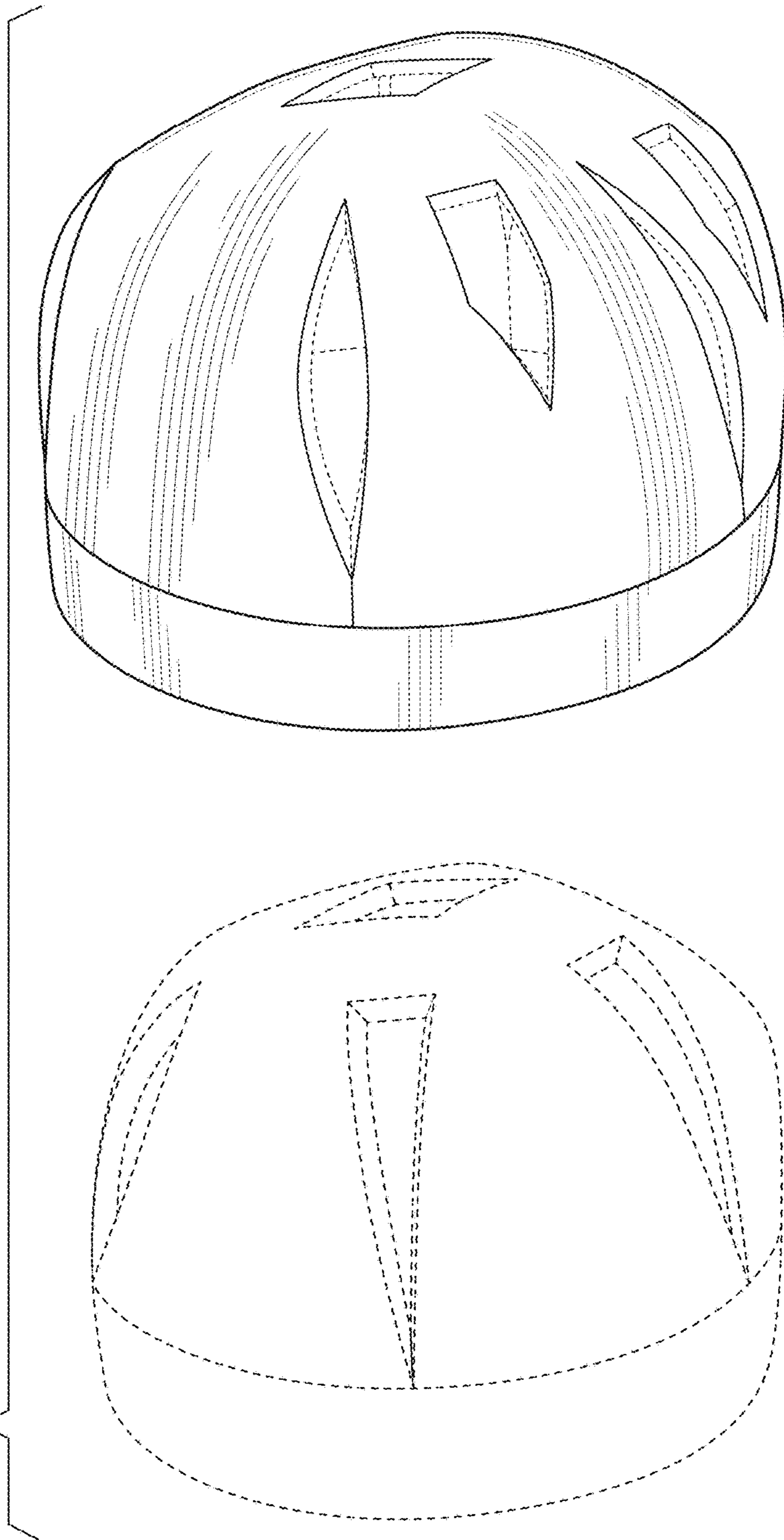


FIG. 7