



US00D866867S

(12) **United States Design Patent** (10) **Patent No.:** **US D866,867 S**  
**Devitt** (45) **Date of Patent:** **\*\* Nov. 12, 2019**

(54) **HEADWEAR**

(71) Applicant: **Circumstant, Inc.**, Huntersville, NC (US)

(72) Inventor: **Glenn Devitt**, Huntersville, NC (US)

(\*\*) Term: **15 Years**

(21) Appl. No.: **29/600,868**

(22) Filed: **Apr. 17, 2017**

(51) **LOC (12) Cl.** ..... **09-03**

(52) **U.S. Cl.**  
USPC ..... **D29/102**

(58) **Field of Classification Search**  
USPC ..... D29/102-110, 112, 122; D2/869, 870;  
358/471; D16/208; 2/422; 348/164  
CPC .. A63B 71/10; A42B 3/00; A42B 3/18; A42B  
3/20; A42B 3/185; A42B 3/225; A42B  
3/121; A42B 3/12; A42B 3/0406; A42B  
3/10; A42B 1/04; A42B 1/041; A42B  
3/042; A61F 9/06; H04N 5/2252; H04N  
5/2253; H04N 5/23238  
See application file for complete search history.

(56) **References Cited**

**U.S. PATENT DOCUMENTS**

D389,605 S \* 1/1998 Berke ..... D29/103  
5,993,428 A \* 11/1999 Hardge ..... A42B 3/0406  
2/422  
D680,147 S \* 4/2013 Konishi ..... D16/208

D700,746 S \* 3/2014 Capozzi ..... D29/103  
D715,003 S \* 10/2014 Ramos ..... D29/103  
D736,296 S \* 8/2015 Musec ..... D16/208  
D738,420 S \* 9/2015 Lee ..... D14/372  
D744,170 S \* 11/2015 Eastwood ..... D29/102  
D759,143 S \* 6/2016 Edwards ..... D16/208  
9,532,474 B2 \* 12/2016 Gutschenritter .... H05K 5/0221  
D779,126 S \* 2/2017 Uhm ..... D29/102  
D812,309 S \* 3/2018 Nellestam ..... D29/102  
9,948,145 B2 \* 4/2018 Sealy ..... H02J 50/10  
D819,716 S \* 6/2018 Kim ..... D16/208  
D822,905 S \* 7/2018 Thorsell ..... D29/102

\* cited by examiner

*Primary Examiner* — Ruth McInroy

(74) *Attorney, Agent, or Firm* — Kilpatrick Townsend & Stockton LLP

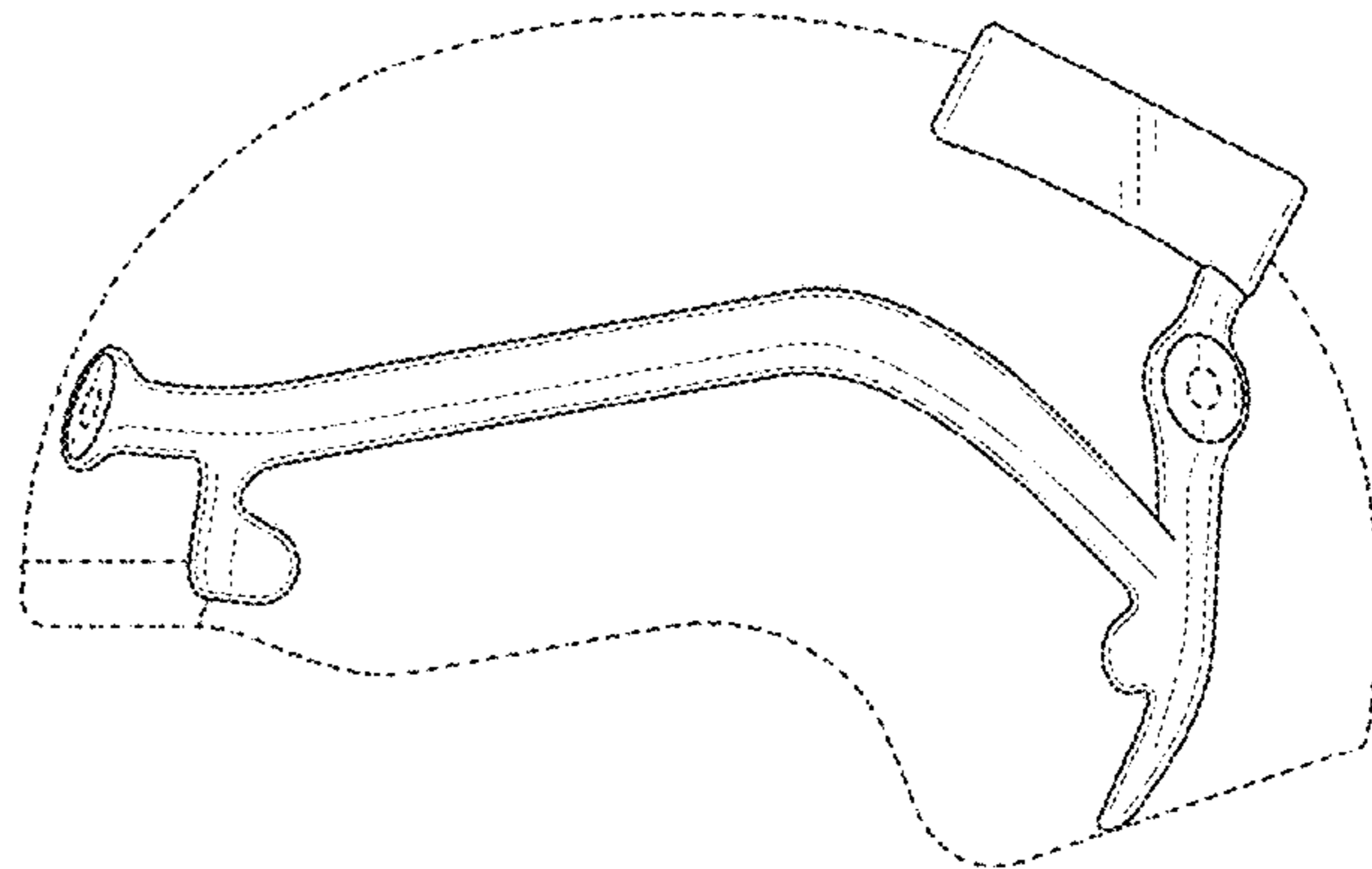
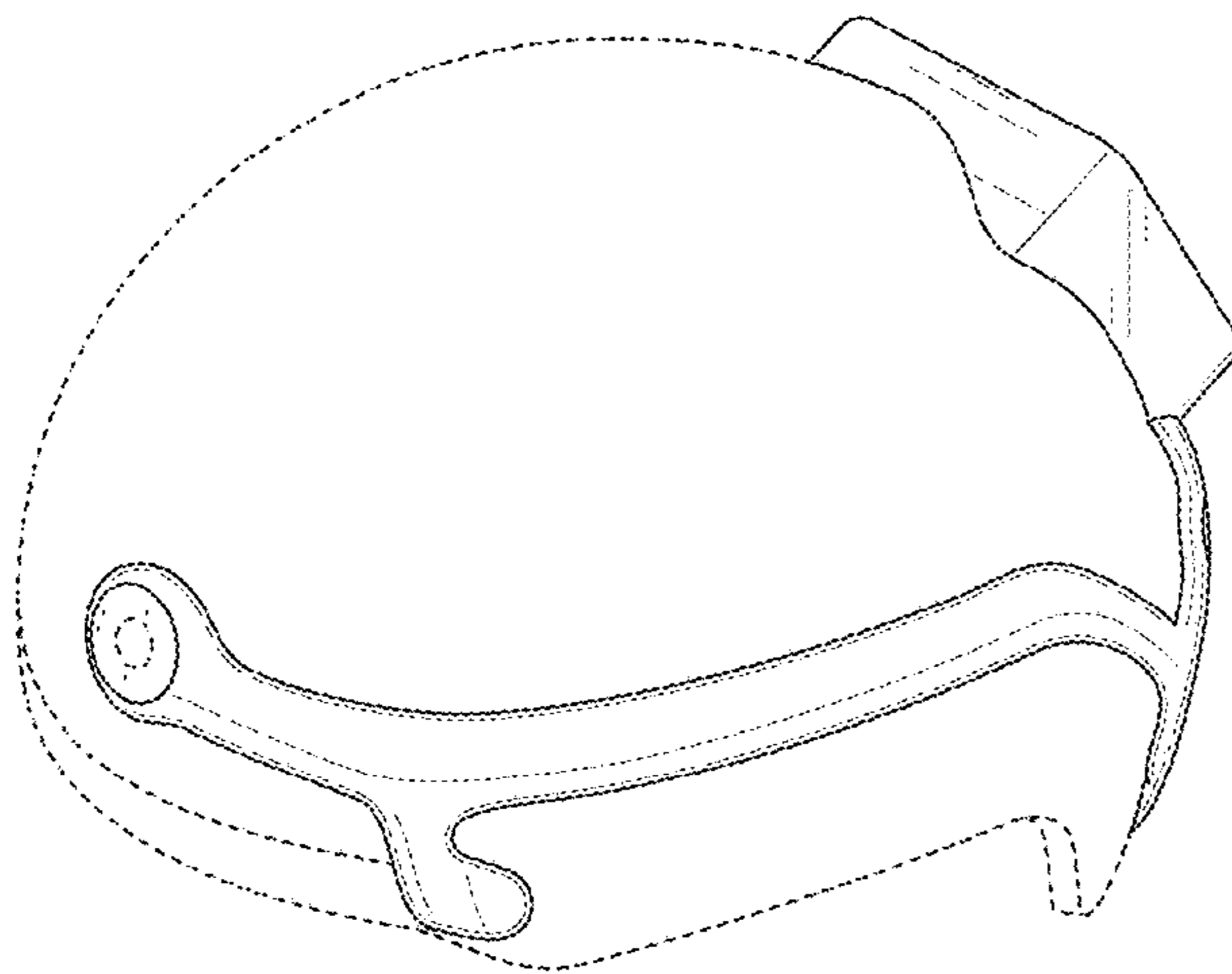
(57) **CLAIM**

I claim the ornamental design for a headwear, as shown and described.

**DESCRIPTION**

FIG. 1 is a perspective view of a headwear showing my new design;  
FIG. 2 is a front elevational view thereof;  
FIG. 3 is a rear elevational view thereof;  
FIG. 4 is a side elevational view thereof;  
FIG. 5 is a side elevational view opposite FIG. 4;  
FIG. 6 is a top plan view thereof; and,  
FIG. 7 is a bottom plan view thereof.  
The broken lines are for environmental purposes only and form no part of the claimed design.

**1 Claim, 7 Drawing Sheets**



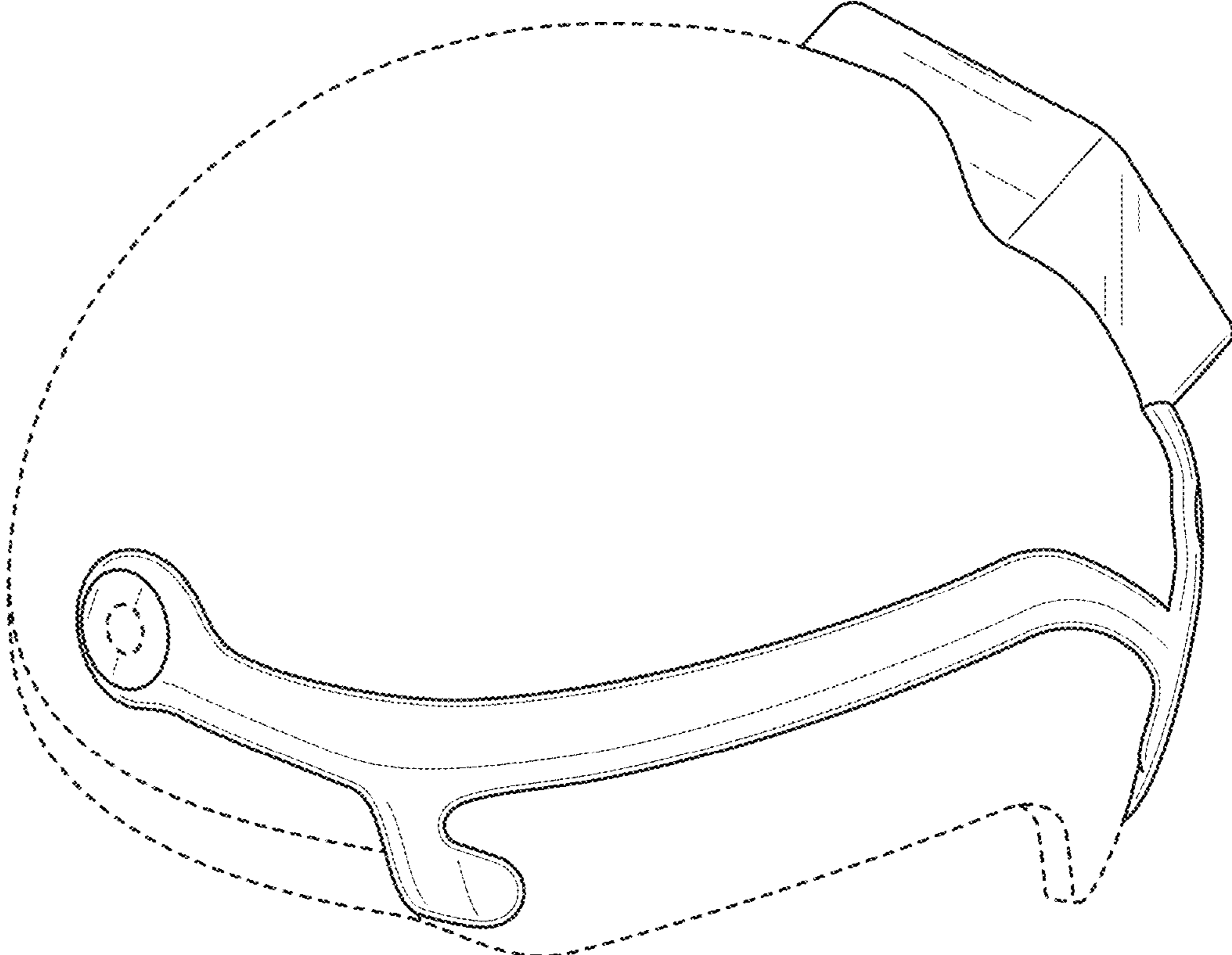


FIG. 1

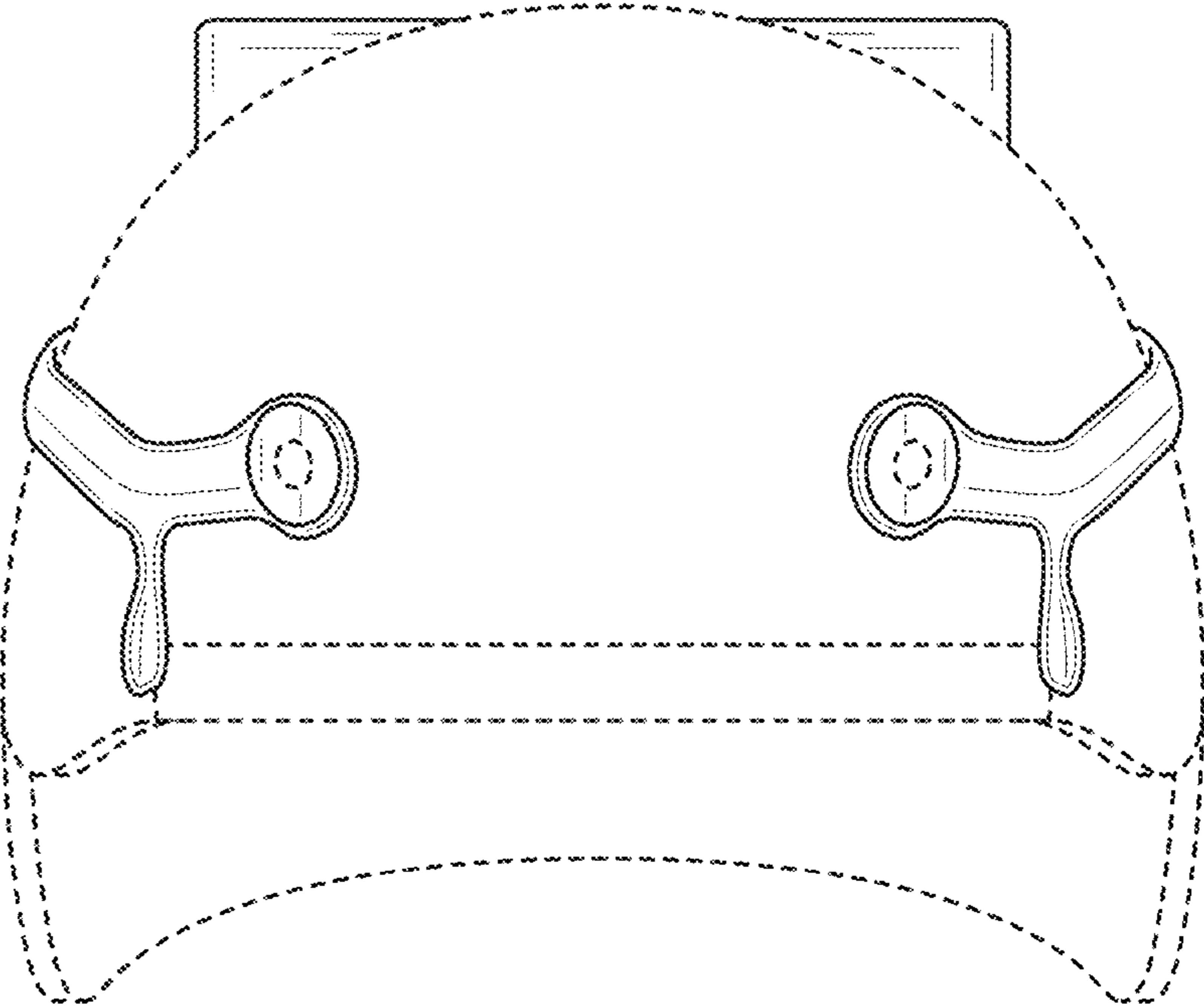


FIG. 2

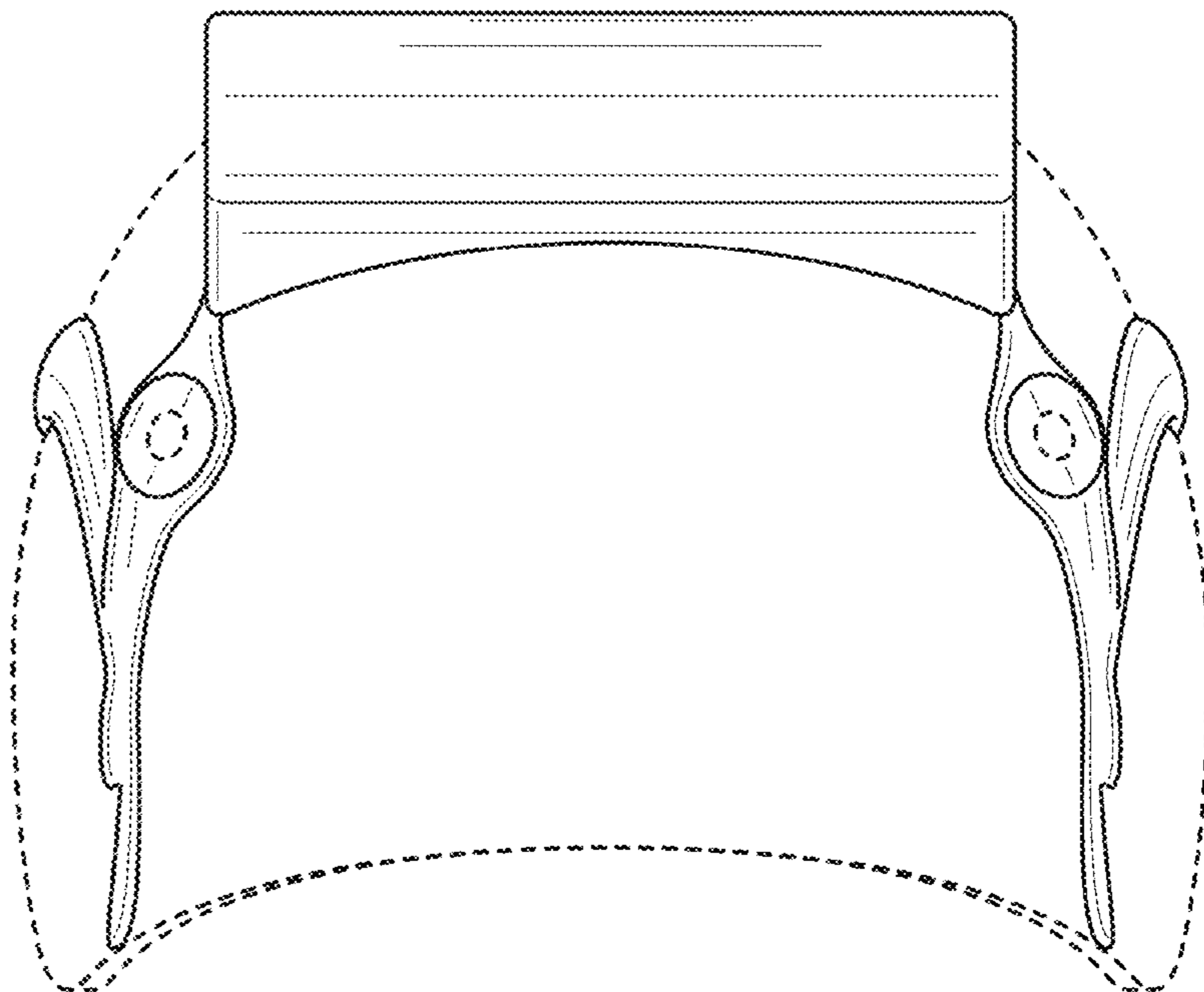


FIG. 3

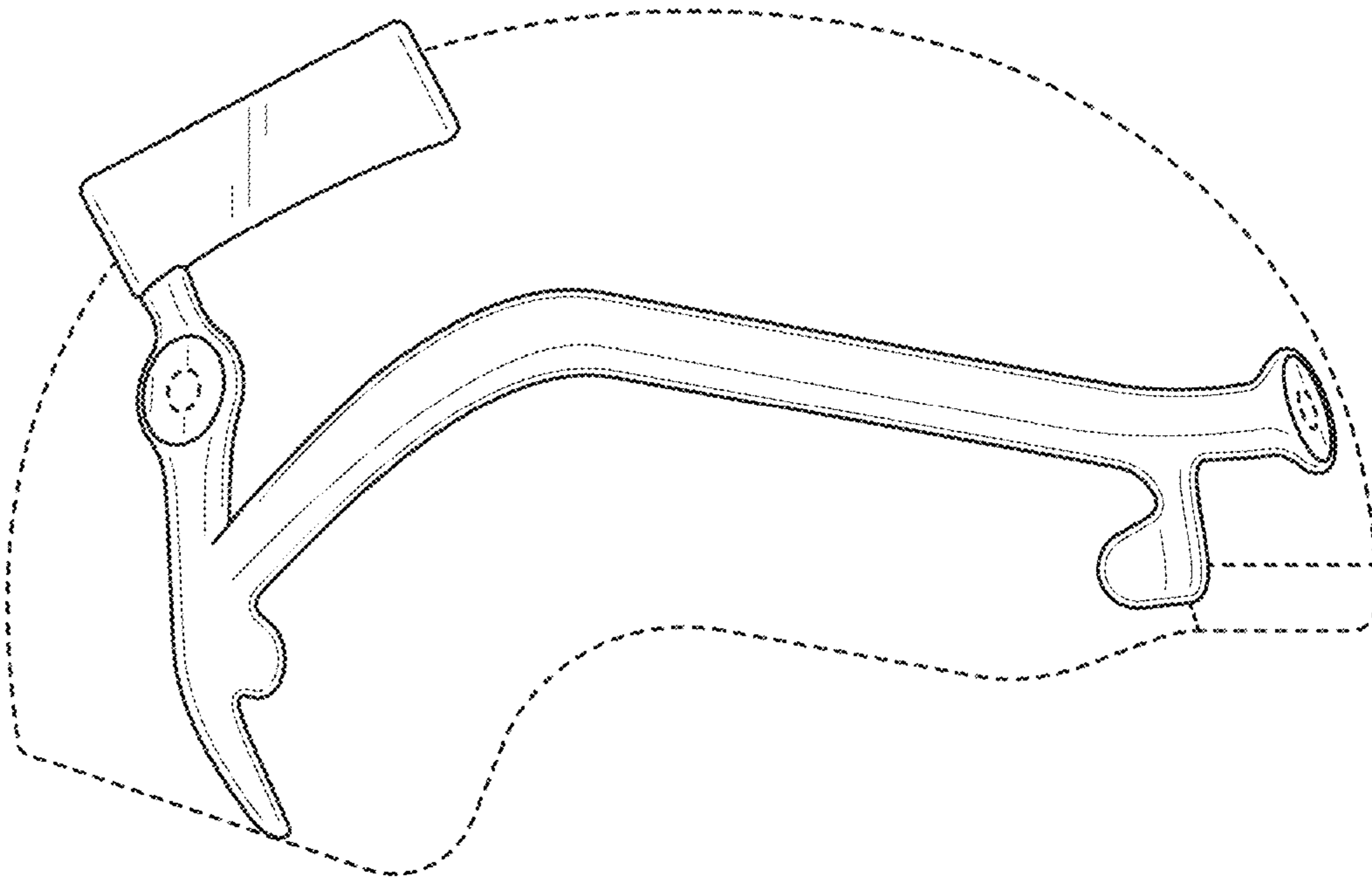


FIG. 4

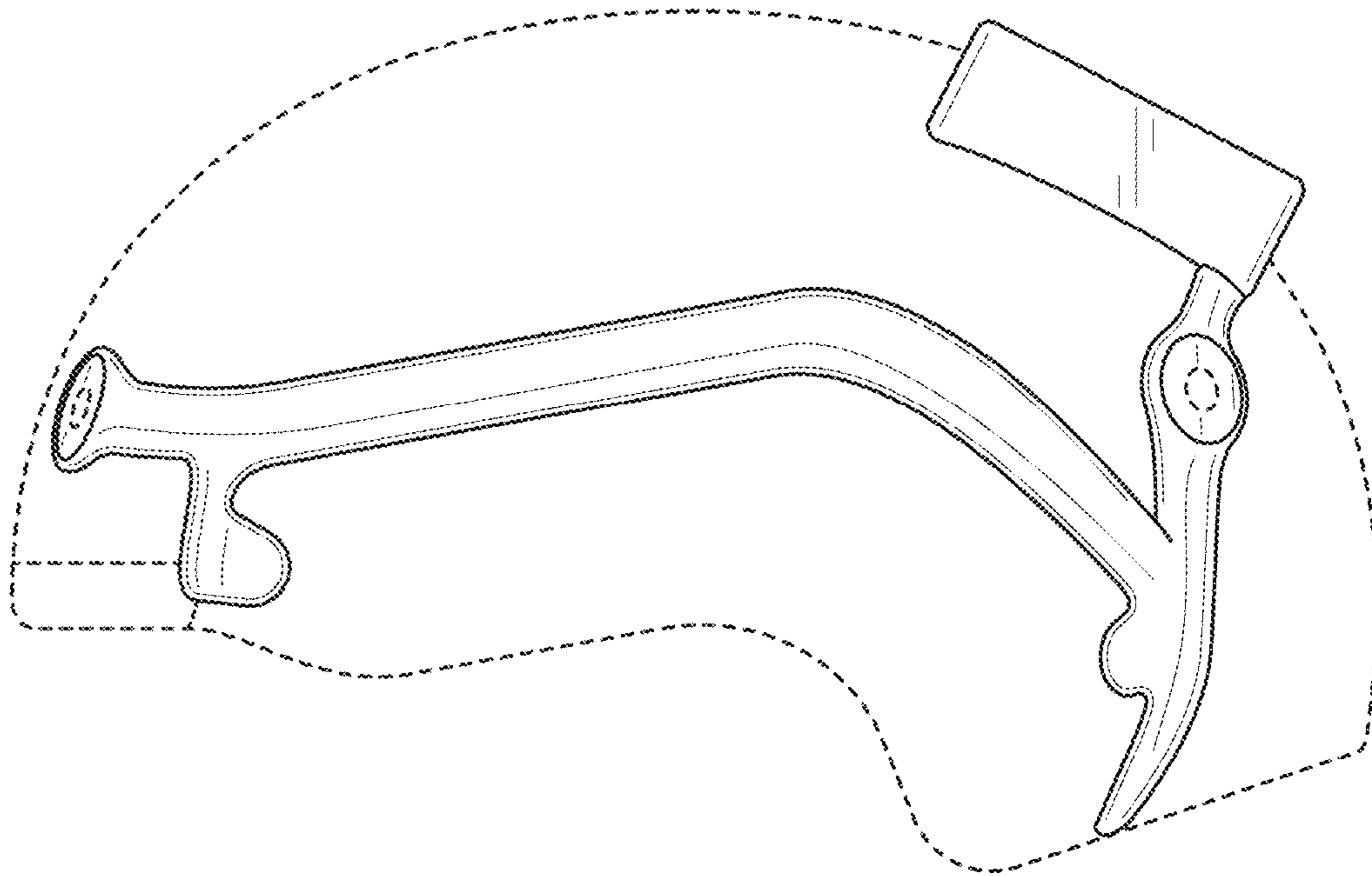


FIG. 5



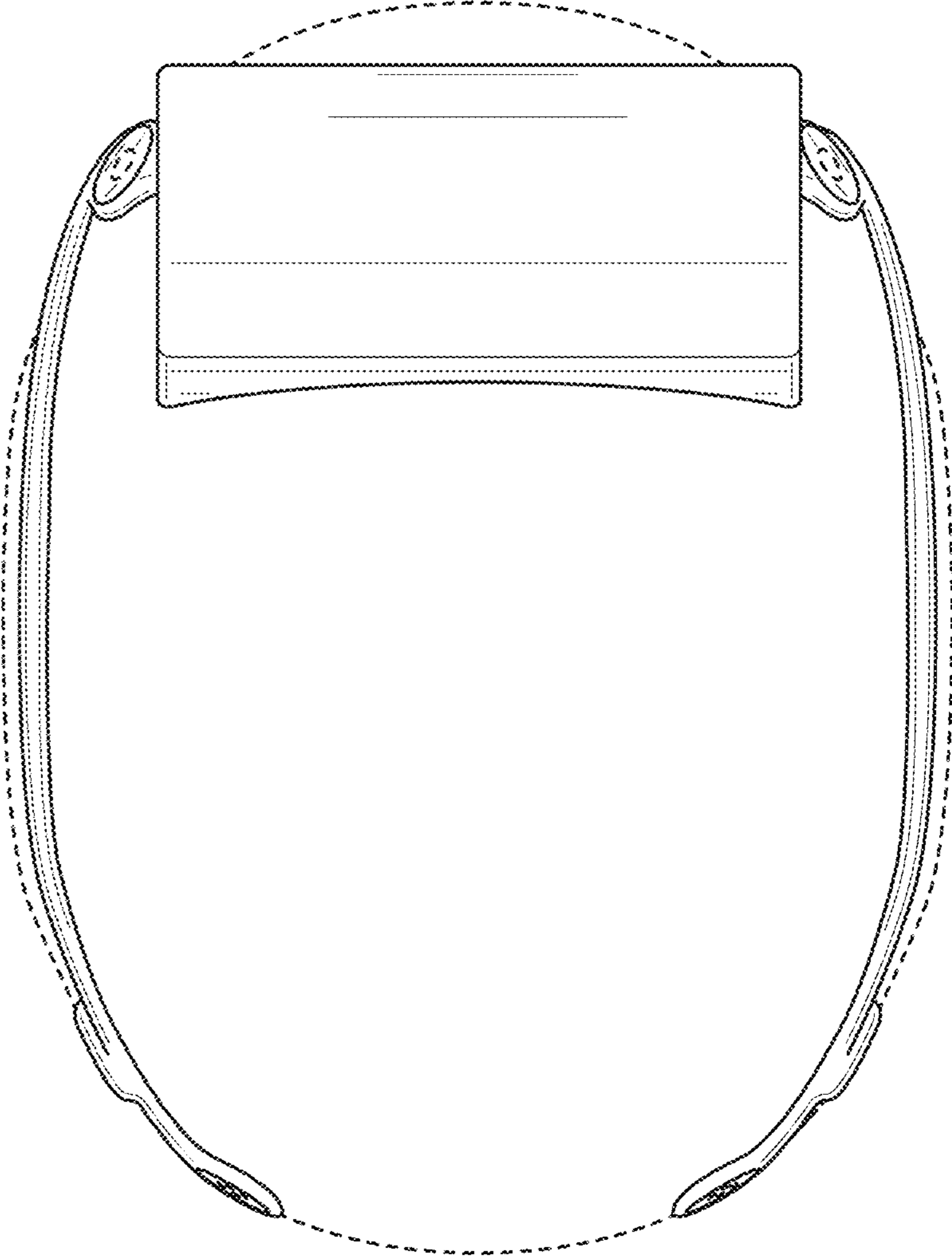


FIG. 6

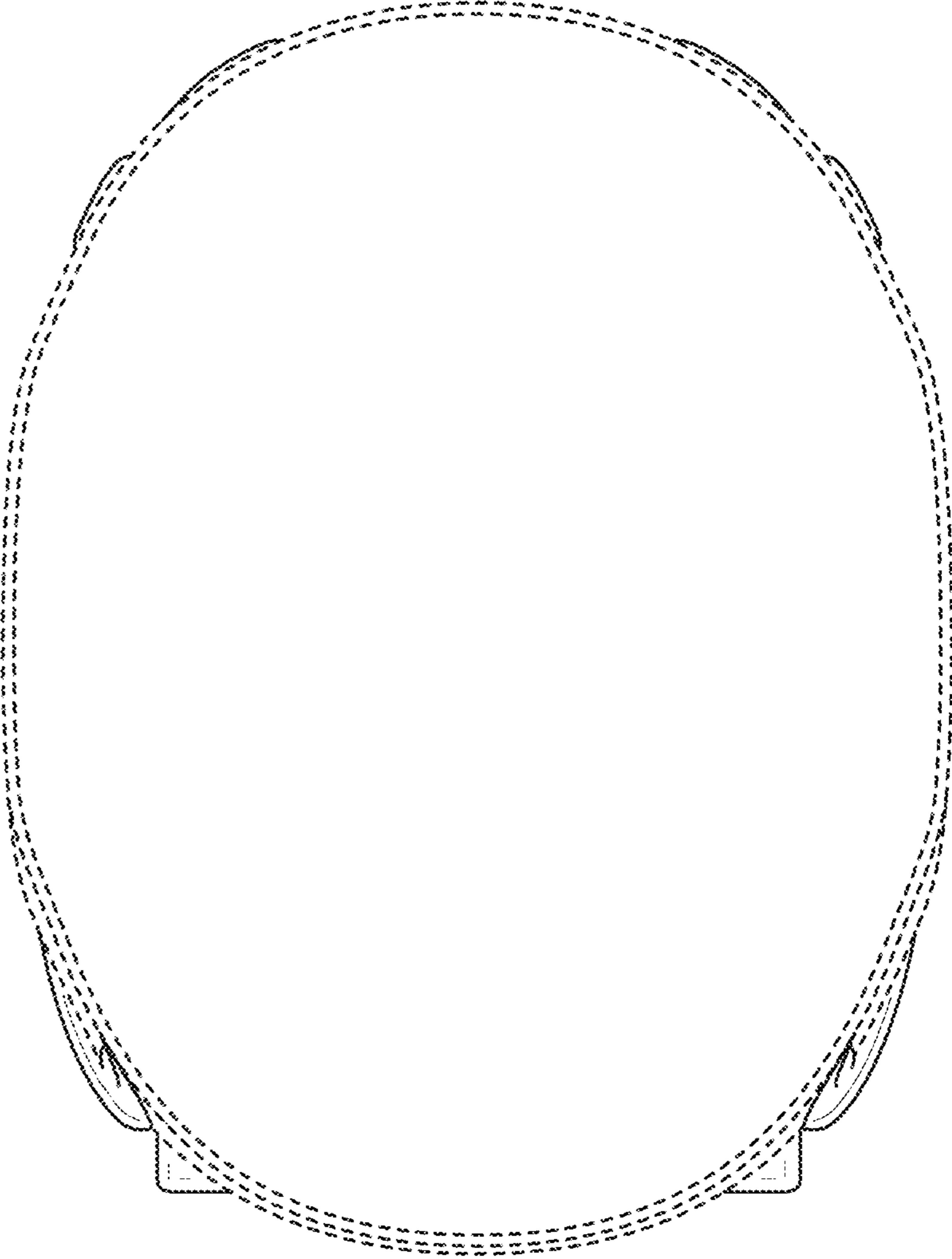


FIG. 7