



US00D866865S

(12) **United States Design Patent**
Pass et al.

(10) **Patent No.:** **US D866,865 S**

(45) **Date of Patent:** **** Nov. 12, 2019**

(54) **PERSONAL GROOMING TOOL**

(71) Applicants: **John Kenton Pass**, El Prado, NM
(US); **Ricky Lynn Pass**, El Prado, NM
(US)

(72) Inventors: **John Kenton Pass**, El Prado, NM
(US); **Ricky Lynn Pass**, El Prado, NM
(US)

(**) Term: **15 Years**

(21) Appl. No.: **29/664,373**

(22) Filed: **Sep. 24, 2018**

(51) **LOC (12) Cl.** **28-03**

(52) **U.S. Cl.**
USPC **D28/99**; D24/214; D28/91.2

(58) **Field of Classification Search**
USPC D28/7, 9, 54.1, 56-59, 63, 64.3, 64.4,
D28/91.2, 99; D7/691, 692; D8/12, 40,
D8/107, 499; D19/108, 109; D24/133,
D24/135, 136, 214-215; D32/46, 49
CPC A45D 29/00; A45D 29/001; A45D 29/06;
A45D 29/11; A45D 29/12; A45D 31/00;
A46B 2200/00; A46B 2200/10; A46B
2200/102; A47J 45/00

See application file for complete search history.

(56) **References Cited**

U.S. PATENT DOCUMENTS

D31,936 S * 12/1899 Ladouceur D32/49
D197,107 S * 12/1963 Forgue D28/7
3,196,885 A * 7/1965 Emerson A61B 17/54
132/76.4
3,841,414 A * 10/1974 Perkins A01B 1/16
172/371
D254,766 S * 4/1980 Christen, Jr. D7/692

D307,855 S * 5/1990 Light, Jr. D7/691
D481,170 S * 10/2003 Perez D28/59
D608,139 S * 1/2010 Rae D7/395
D711,199 S * 8/2014 Regadanz D7/688
D722,174 S * 2/2015 Almarales D24/214
D823,652 S * 7/2018 Dooley D7/691
D837,024 S * 1/2019 Morehouse D8/107
D838,559 S * 1/2019 Frank D7/688
D852,413 S * 6/2019 Staab D28/7
2005/0197665 A1 * 9/2005 Teed A61B 17/244
606/161
2006/0288588 A1 * 12/2006 Morabito A01B 1/00
30/294
2010/0229319 A1 * 9/2010 Phillips A45D 40/26
15/236.09

* cited by examiner

Primary Examiner — Jennifer Rivard

Assistant Examiner — Alison M Ofstun

(74) *Attorney, Agent, or Firm* — V Gerald Grafe

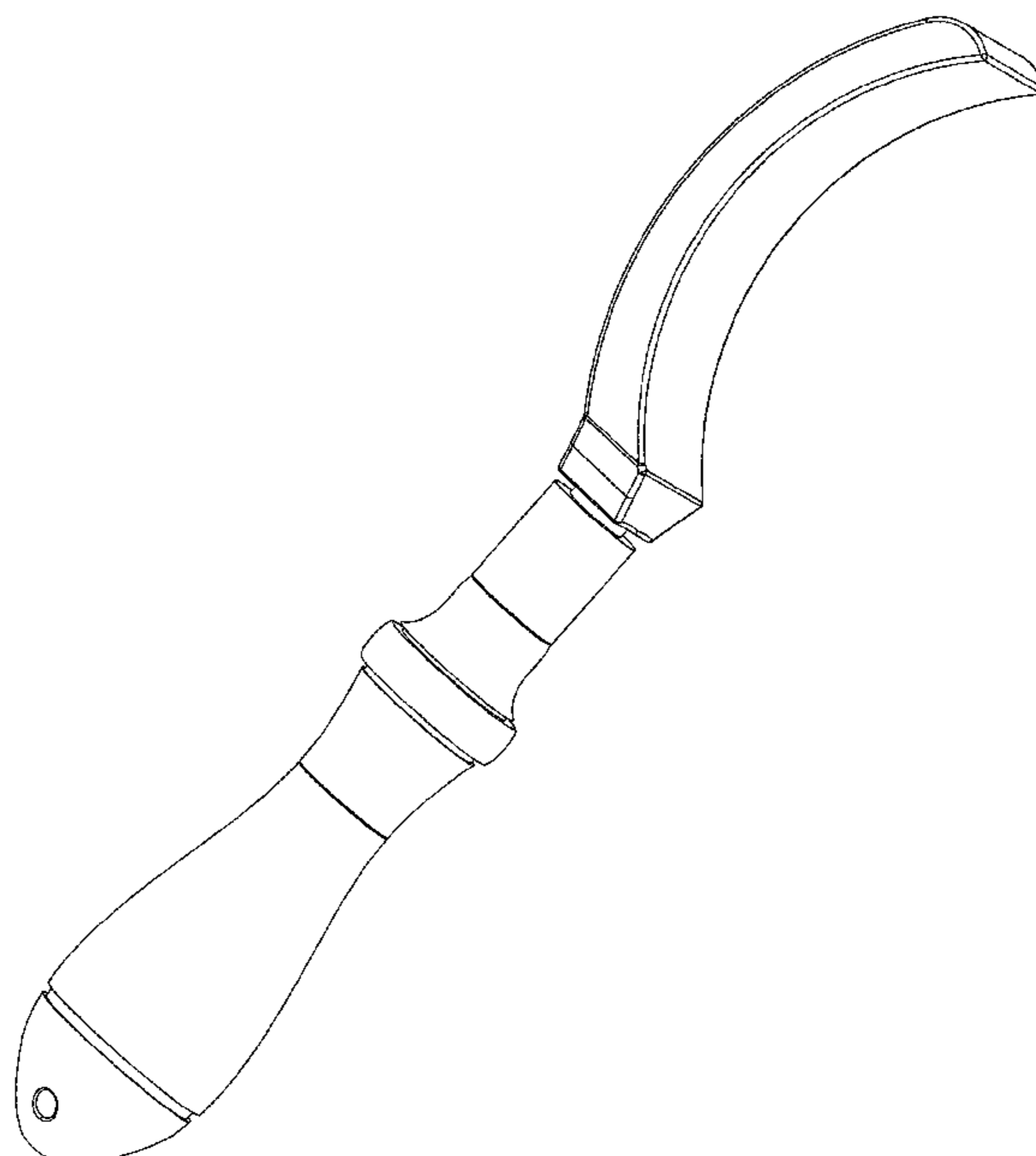
(57) **CLAIM**

The ornamental design for a personal grooming tool, as shown and described.

DESCRIPTION

FIG. 1 is a top plan view of a personal grooming tool showing our new design;
FIG. 2 is a bottom plan view thereof.
FIG. 3 is a left side elevational view thereof; the right side elevational view is a mirror image of the left side elevational view.
FIG. 4 is a perspective view thereof.
FIG. 5 is an isometric view thereof.
FIG. 6 is a perspective view thereof.
FIG. 7 is a view of the left end thereof; and,
FIG. 8 is a view of the right end thereof.

1 Claim, 3 Drawing Sheets



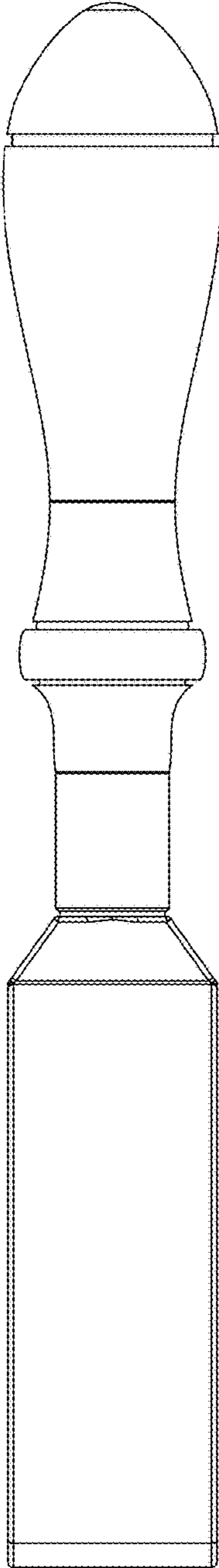


FIG. 1

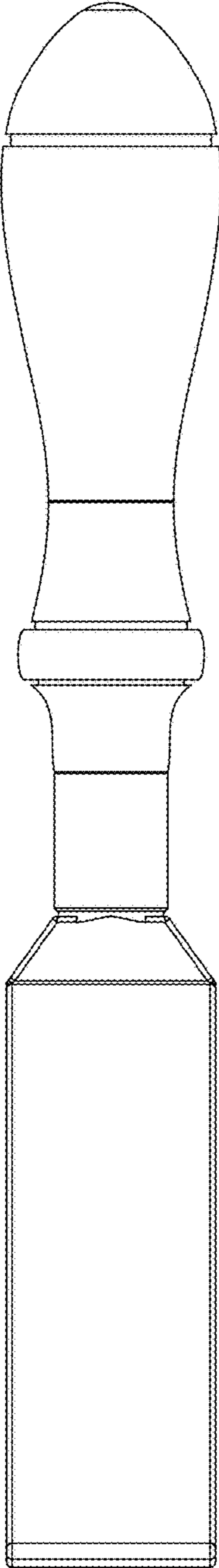


FIG. 2

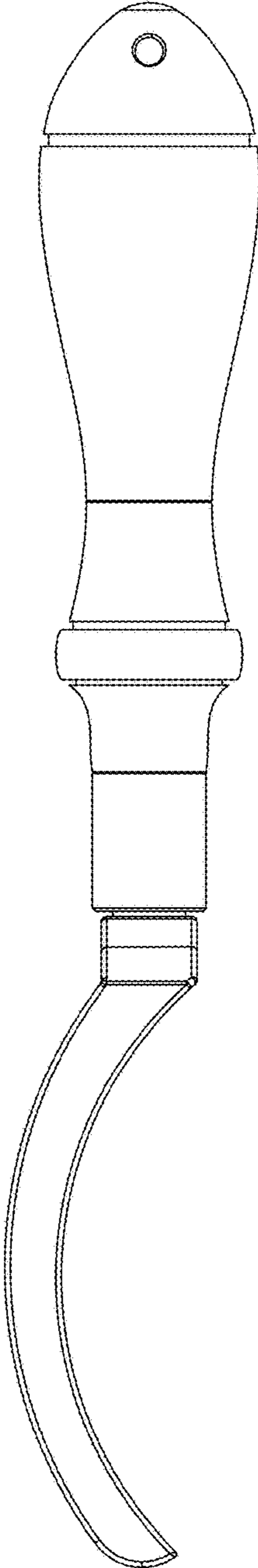


FIG. 3

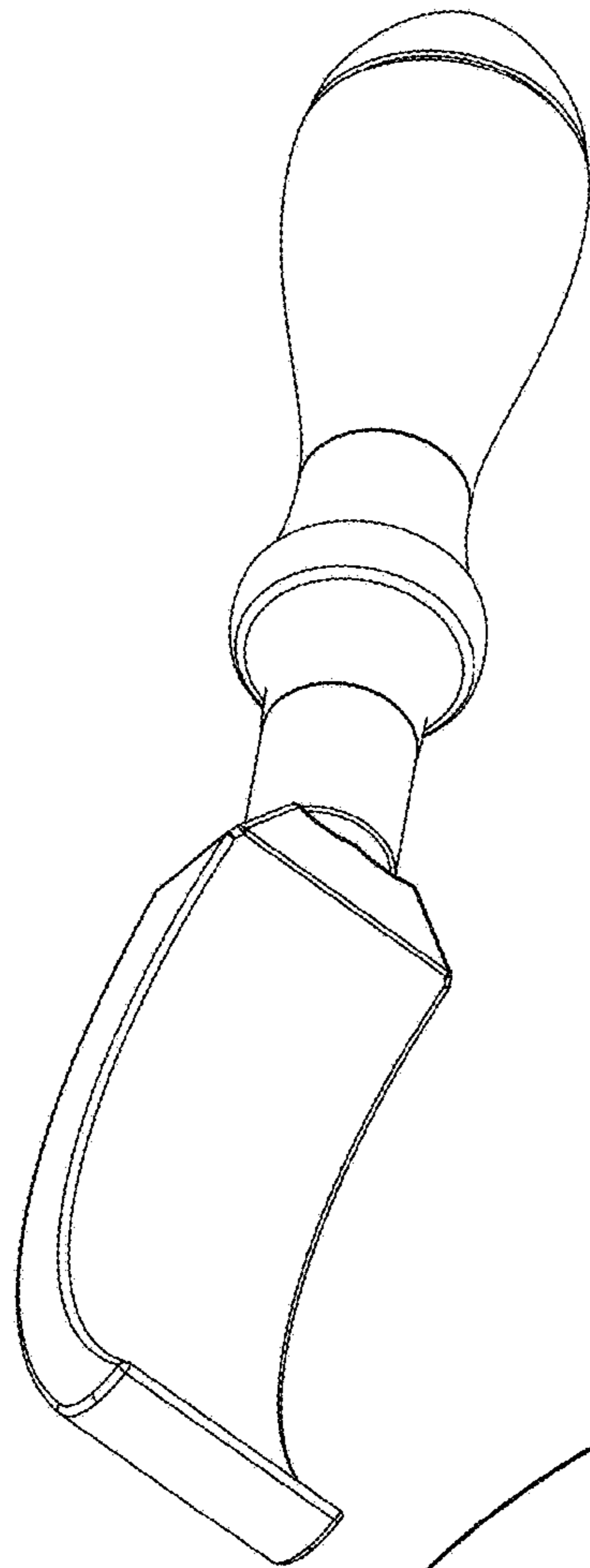


FIG. 4

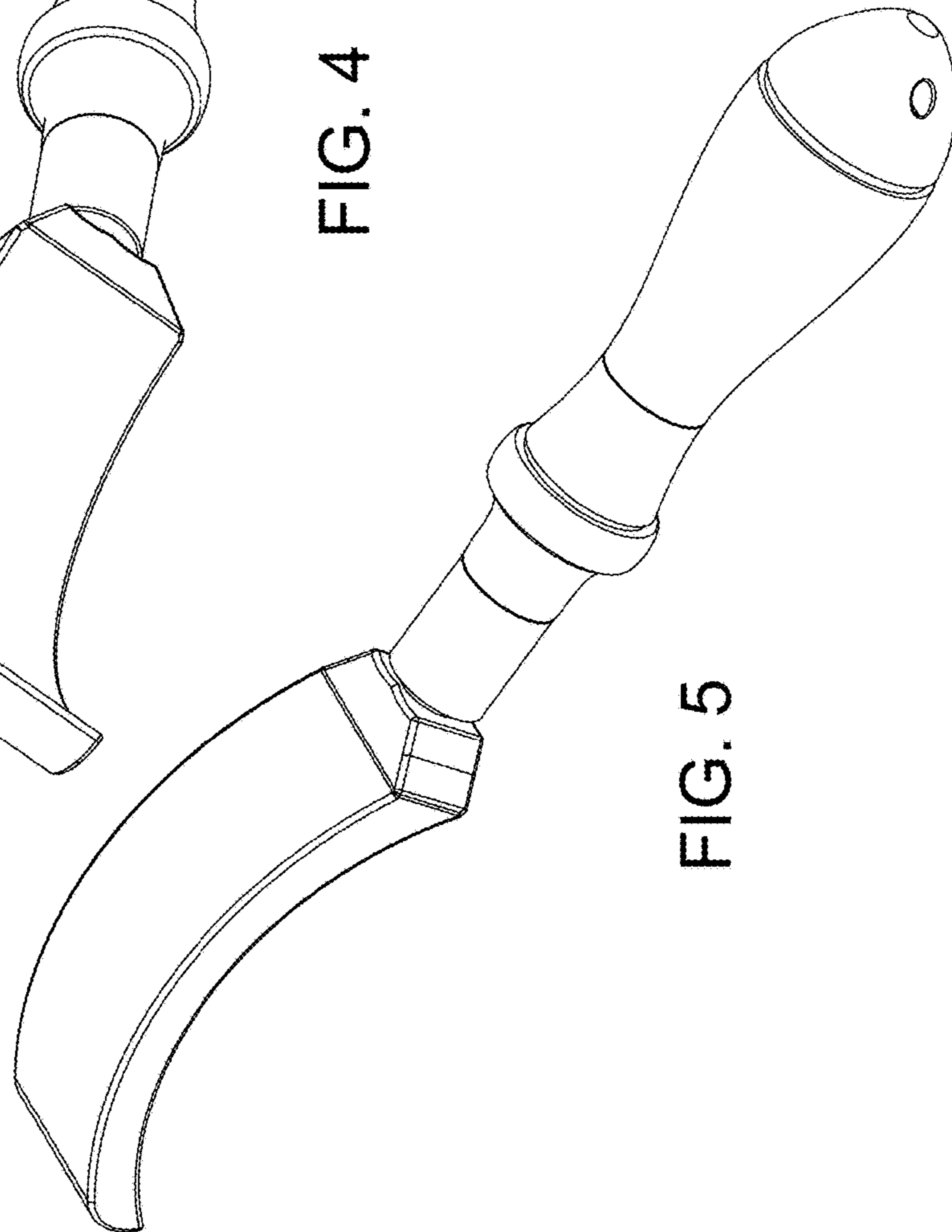


FIG. 5

