



US00D866863S

(12) **United States Design Patent** (10) **Patent No.:** **US D866,863 S**  
**Reid** (45) **Date of Patent:** **\*\* Nov. 12, 2019**

(54) **CALLUS MANAGEMENT BAR**

FOREIGN PATENT DOCUMENTS

(71) Applicant: **Sandbar Hand Care, LLC**, Payson, UT (US)

KR 300731629.0000 \* 3/2014

(72) Inventor: **Rylee Reid**, Payson, UT (US)

OTHER PUBLICATIONS

(73) Assignee: **Sandbar Hand Care, LLC**, Payson, UT (US)

Product Reviewer; "WodRod;" youtube.com; (Jul. 28, 2016); 3 pages; [retrieved Aug. 7, 2018]; Retrieved from <URL: https://www.youtube.com/watch?v=96isJ86vArI >.

(\*\*) Term: **15 Years**

(Continued)

(21) Appl. No.: **29/675,597**

*Primary Examiner* — Shannon W Morgan

*Assistant Examiner* — Altaira J Swangin

(22) Filed: **Jan. 3, 2019**

(74) *Attorney, Agent, or Firm* — Thorpe North & Western, LLP

(51) **LOC (12) Cl.** ..... **28-03**

(52) **U.S. Cl.**  
USPC ..... **D28/59**

(58) **Field of Classification Search**  
USPC ..... D28/37, 50, 56-57, 59; D8/62, 80, 303; 451/358, 506, 508, 541; D24/133, 147; 132/73, 73.5, 73.6, 74.5, 75, 76.5  
CPC ..... B24B 23/02; B24B 23/022; B24D 9/02; A45D 2200/1054; A45D 2017/320004; A45D 29/00; A45D 29/02; A45D 29/05; A45D 29/06; A45D 29/11; A45D 29/12; A45D 29/13; A45D 29/14

(57) **CLAIM**

The ornamental design for a callus management bar, as shown and described.

See application file for complete search history.

**DESCRIPTION**

FIG. 1 is a top left perspective view of a callus management bar in accordance with my invention; FIG. 2 is an exploded top left perspective view of the callus management bar of FIG. 1 with a cover cap removed; FIG. 3 is a front view thereof; FIG. 4 is a back view thereof; FIG. 5 is a right view thereof; FIG. 6 is a left view thereof; FIG. 7 is a top view thereof; and, FIG. 8 is a bottom view thereof.

The portions of the callus management bar, shown in broken lines, form no part of the claimed design. Additionally, the center circular regions and adjacent inner ring-shaped regions in FIG. 8 represent portions of the article, which form no part of the claimed design.

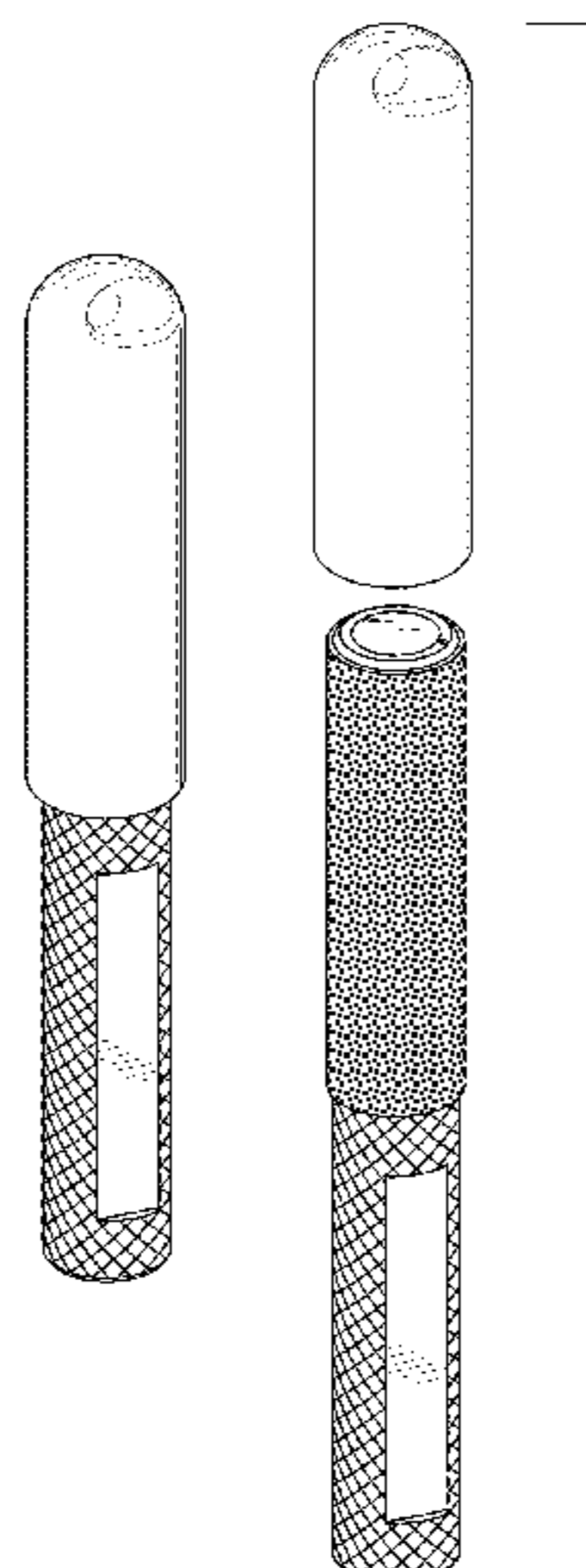
(56) **References Cited**

U.S. PATENT DOCUMENTS

554,189 A \* 2/1896 Kochendarfer ..... B43K 1/086  
401/214  
1,002,913 A 9/1911 Harriss  
1,948,266 A 2/1934 Hershey  
2,030,040 A 2/1936 Hynes et al.  
2,103,320 A 12/1937 Corff  
D110,010 S 6/1938 Acocella  
2,199,726 A \* 5/1940 Hyde ..... A61C 17/32  
279/35  
2,242,549 A 5/1941 Rose  
D156,961 S \* 1/1950 Hvid ..... D28/45

(Continued)

**1 Claim, 4 Drawing Sheets**



(56)

References Cited

U.S. PATENT DOCUMENTS

2,575,431 A \* 11/1951 Smith ..... A01N 1/00  
132/318

2,730,439 A 1/1956 Houchins

2,763,970 A 9/1956 Miller et al.

2,772,524 A 12/1956 Kopczynski

2,796,705 A 6/1957 Miller et al.

3,183,632 A 5/1965 Ferchland

3,364,630 A 1/1968 Rusk et al.

3,510,990 A 5/1970 Steindler

3,597,883 A 8/1971 Choplin et al.

D229,854 S \* 1/1974 Bajusz ..... A61C 17/32  
D26/49

3,928,101 A 12/1975 Tucker

4,178,689 A 12/1979 Nash

4,292,987 A 10/1981 Alley

D274,122 S \* 6/1984 Stahel ..... D8/303

4,534,138 A 8/1985 Pangburn

D283,544 S 4/1986 Schmidt et al.

4,586,610 A \* 5/1986 Gandolfo ..... G09F 3/0295  
206/345

D284,117 S \* 6/1986 Collis ..... D28/37

D284,225 S \* 6/1986 Dulick ..... D28/59

4,720,941 A 1/1988 Belieff et al.

4,854,761 A 8/1989 Smith et al.

4,890,203 A \* 12/1989 Watson ..... F21L 2/00  
362/102

D306,083 S \* 2/1990 Smith ..... D28/57

4,936,322 A 6/1990 DeSantis

D310,581 S 9/1990 Sadler

D312,309 S 11/1990 Michelson

D327,912 S \* 7/1992 Tsai ..... D19/163

5,177,909 A 1/1993 Klocke

D336,957 S 6/1993 Koros et al.

5,419,087 A 5/1995 Haddy

5,439,013 A 8/1995 Hoover

D362,923 S 10/1995 Greutmann

D364,681 S 11/1995 Livernois

5,476,467 A 12/1995 Benoit

D373,855 S 9/1996 Jurosek-Bland

D378,443 S \* 3/1997 Little ..... D28/37

D392,040 S \* 3/1998 Harman ..... D24/133

D397,517 S 8/1998 Choyee

D405,232 S 2/1999 Stevens et al.

5,899,210 A 5/1999 Letherby et al.

D417,750 S 12/1999 Izquierdo

D430,321 S \* 8/2000 Sharrah ..... D26/37

6,138,688 A 10/2000 Lombardi, Jr.

6,162,117 A 12/2000 Vo

D436,477 S 1/2001 Ming Hsiao

6,213,623 B1 \* 4/2001 Campman ..... F21V 9/40  
362/202

D455,511 S \* 4/2002 Chang ..... D26/46

D465,237 S \* 11/2002 Qiu ..... D19/169

D478,188 S 8/2003 Turina

D495,442 S \* 8/2004 Packard ..... D26/37

D504,529 S \* 4/2005 Vickers ..... D26/37

D506,550 S \* 6/2005 Greenberg ..... D24/133

D516,248 S 2/2006 Lee

6,997,794 B2 2/2006 Pontieri

D546,451 S \* 7/2007 Givens, Jr. .... D24/133

D572,755 S \* 7/2008 Brigham ..... D19/121

D573,643 S \* 7/2008 Brigham ..... D19/121

D582,503 S \* 12/2008 Brittingham ..... D22/108

D587,803 S \* 3/2009 Di Sessa ..... D24/133

D590,943 S 4/2009 Peterson

D593,202 S \* 5/2009 Petersen ..... D24/133

7,559,111 B2 7/2009 Ho et al.

D633,035 S \* 2/2011 Heine ..... D13/103

D634,376 S \* 3/2011 Saffaie ..... D21/684

D669,982 S \* 10/2012 Ruiz, Sr. .... D24/133

D673,328 S 12/2012 Arinsmier et al.

D675,358 S \* 1/2013 Brands ..... D26/49

D681,248 S \* 4/2013 Opolka ..... D26/49

D694,406 S \* 11/2013 Hahn ..... D24/147

D701,340 S \* 3/2014 Opolka ..... D26/49

8,662,089 B2 3/2014 Hwang

D704,368 S \* 5/2014 Opolka ..... D26/49

D727,469 S 4/2015 Jorgensen

D728,161 S \* 4/2015 Salo ..... D28/59

D737,429 S 8/2015 Doraiswamy

D742,069 S 10/2015 Izquierdo Lopez

D763,438 S \* 8/2016 Gouret ..... D24/108

D768,453 S 10/2016 Carlisle

D770,071 S \* 10/2016 Windom ..... D26/49

9,549,604 B2 1/2017 Liu

D801,721 S 11/2017 Briden

D810,933 S 2/2018 Chrisman

D812,700 S 3/2018 Silver

9,907,385 B2 3/2018 Dudek

D815,934 S 4/2018 Zurn

D822,330 S 7/2018 Anderson

10,085,537 B2 10/2018 MacLaine

10,194,941 B2 2/2019 Arango

10,194,942 B2 2/2019 Arango

10,306,969 B1 \* 6/2019 Laaly ..... A45D 34/042

2003/0172945 A1 9/2003 Cho

2003/0172946 A1 9/2003 Choe

2008/0173321 A1 7/2008 Le

2008/0236607 A1 10/2008 Lee et al.

2013/0042434 A1 2/2013 Rothwell et al.

2013/0315675 A1 11/2013 Pajak et al.

2014/0099153 A1 \* 4/2014 Pemberton-Pigott .....  
B43K 23/12  
401/195

2015/0068938 A1 3/2015 Sinykin et al.

2015/0173484 A1 6/2015 Fitzsimons et al.

2016/0295988 A1 10/2016 Yiu

2016/0310789 A1 10/2016 Emerson

2016/0345565 A1 \* 12/2016 Gilmartin ..... A01K 93/02

2017/0146177 A1 5/2017 Sue et al.

2018/0092448 A1 4/2018 Johnson et al.

2018/0271559 A1 \* 9/2018 Berger ..... A61B 17/54

2018/0344943 A1 \* 12/2018 Halm ..... A61M 5/2466

2019/0075906 A1 \* 3/2019 Ndachi ..... A45D 29/007

2019/0150589 A1 \* 5/2019 Jones ..... A45D 34/045

OTHER PUBLICATIONS

Profoot; "Colossal Foot Rasp Foot File and Callus Remover;" amazon.com; (upon knowledge and belief before Jul. 27, 2017); 1 page; [retrieved on Jul. 27, 2017]; Retrieved from <URL: <https://www.amazon.com/dp/B00VPVEVSK7psc=1> >.

Sandbar HandCare; "Sandbar HandCare Kit;" amazon.com; (2018); 4 pages; [retrieved on Aug. 7, 2018]; Retrieved from <URL: <https://www.amazon.com/SandBar-HandCare-Remover-Crossfit-Relieve/dp/B0774TV95S/ref=?th=1> >.

Schader; "Shop Fox D2677 Spindle Sander Set;" Drum Sander Drill Press Shop; (Sep. 3, 2012); 4 pages; [retrieved on May 2, 2018]; Retrieved from <URL: <http://drumsanderdrillpressshop.blogspot.com/2012/03/shop-fox-d2677-spindle-sander-set.html> >.

Telebrands; "Ped Egg Pedicure Foot File;" amazon.com; (upon knowledge and belief before Jul. 27, 2017); 1 page; [retrieved on Jul. 27, 2017]; Retrieved from <URL: <https://www.amazon.com/Pedicure-Foot-File-Colors-vary/dp/B00113FENI> >.

The Family Handyman; "PVC Hacks;" PCV Sanding Files; (2016); 2 pages; [retrieved on Aug. 6, 2018]; Retrieved from <<https://familyhandyman.com/smart-homeowner/diy-home-improvement/pvc-hacks/view-all/> >.

Felder; "Felder 'Schleifix' Sanding Drum;" BuildYourGuitar.com; (Jul. 13, 2013); 7 pages; [retrieved on Apr. 12, 2019]; Retrieved from <URL: <http://www.buildyourguitar.com/resources/productreviews/schleifix/index.htm> >.

Safeguard Technology; "Anti-Slip Ladder Rung Covers | Stop Slips & Falls | Safeguard Technology;" www.safeguard-technology.com; (Mar. 8, 2016); 6 pages; [retrieved on Jun. 28, 2019]; Retrieved from <URL: <https://www.safeguard-technology.com/anti-slip-products/ladder-rung-covers/> >.

Trim-Lok Inc.; "Foam Rubber Tubing with Smooth Skin | Grip-Tek;" www.grip-tek.com; (Jul. 26, 2016); 3 pages; [retrieved Jun.

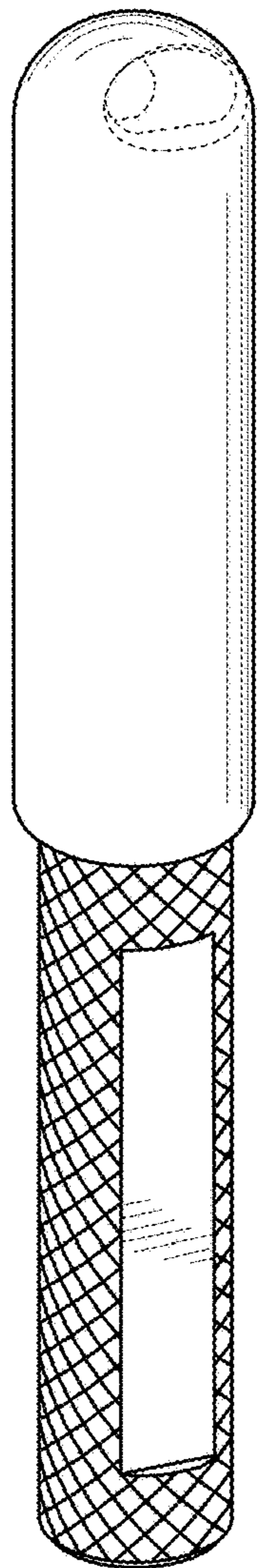
(56)

**References Cited**

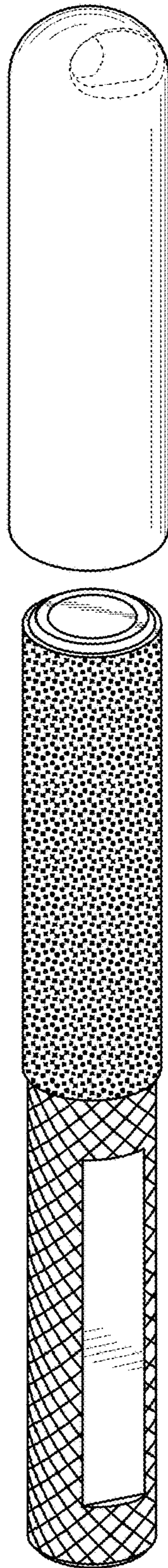
OTHER PUBLICATIONS

28, 2019]; Retrieved from <URL: <https://www.grip-tek.com/foam-grips/hand-grip-tubing/smooth-skin-d1> >.

\* cited by examiner

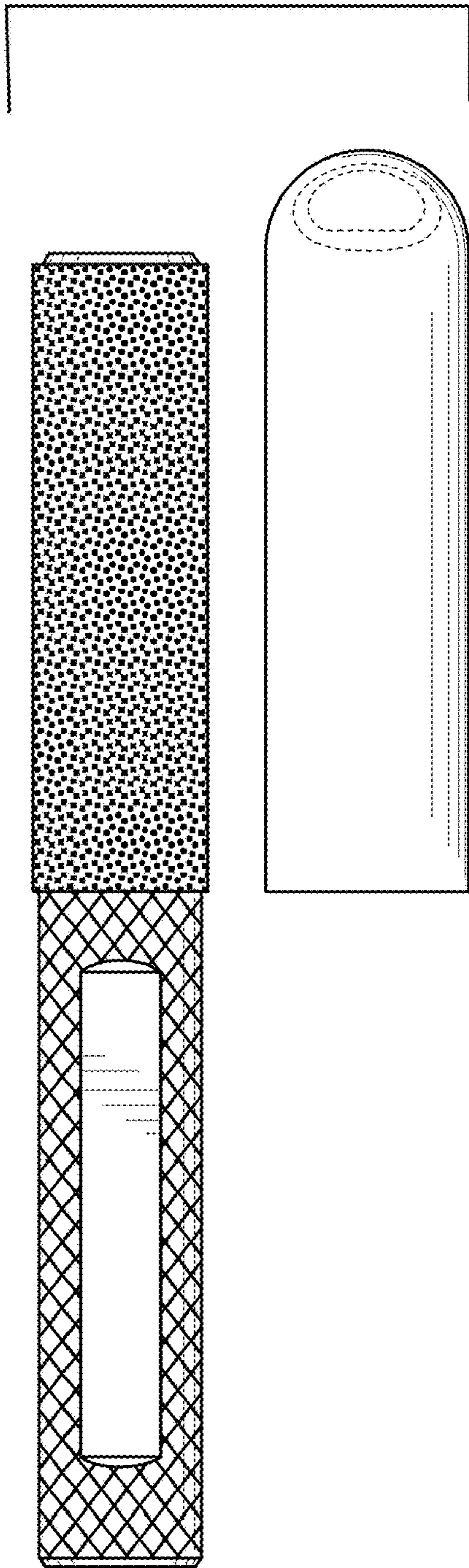


**FIG. 1**

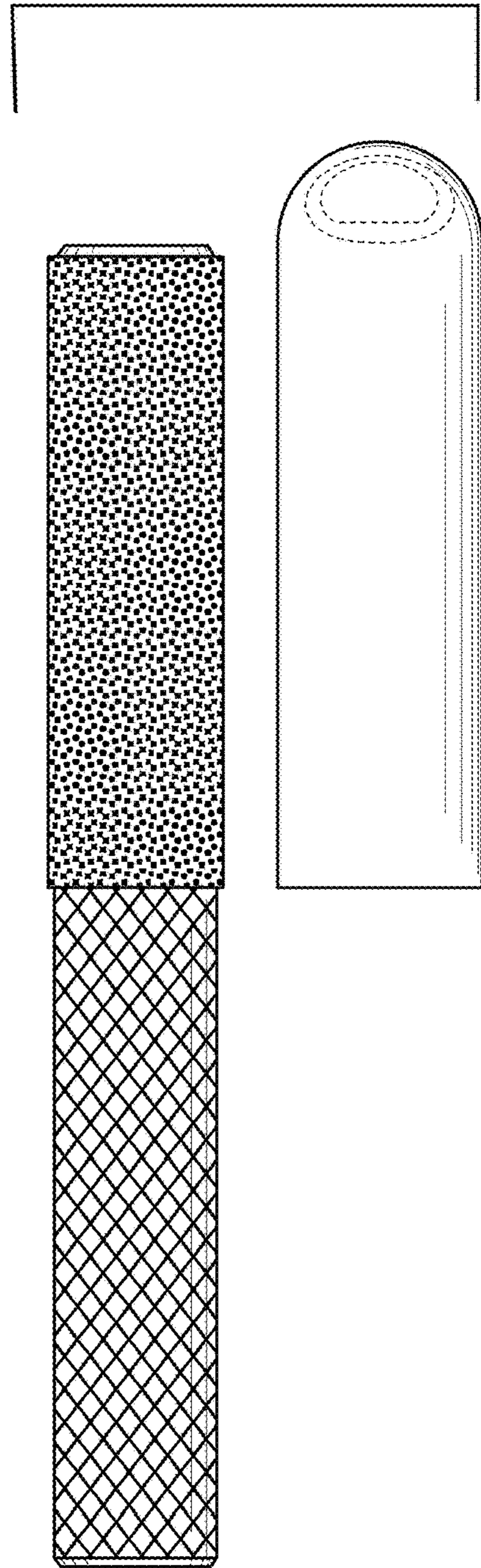


**FIG. 2**

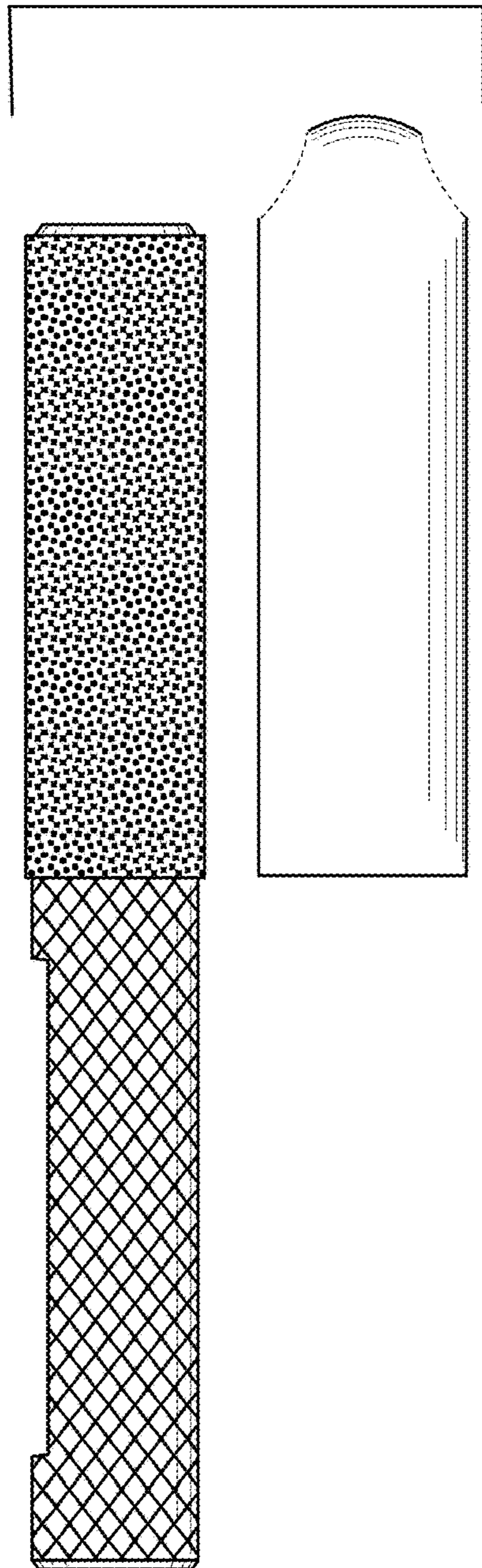




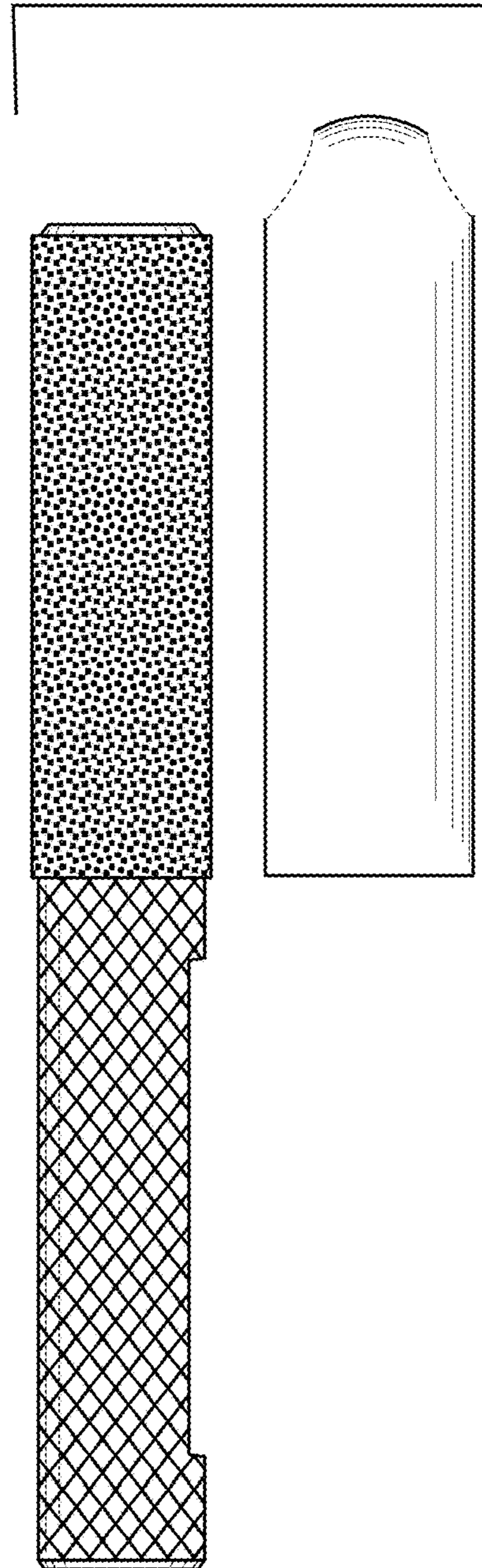
**FIG. 3**



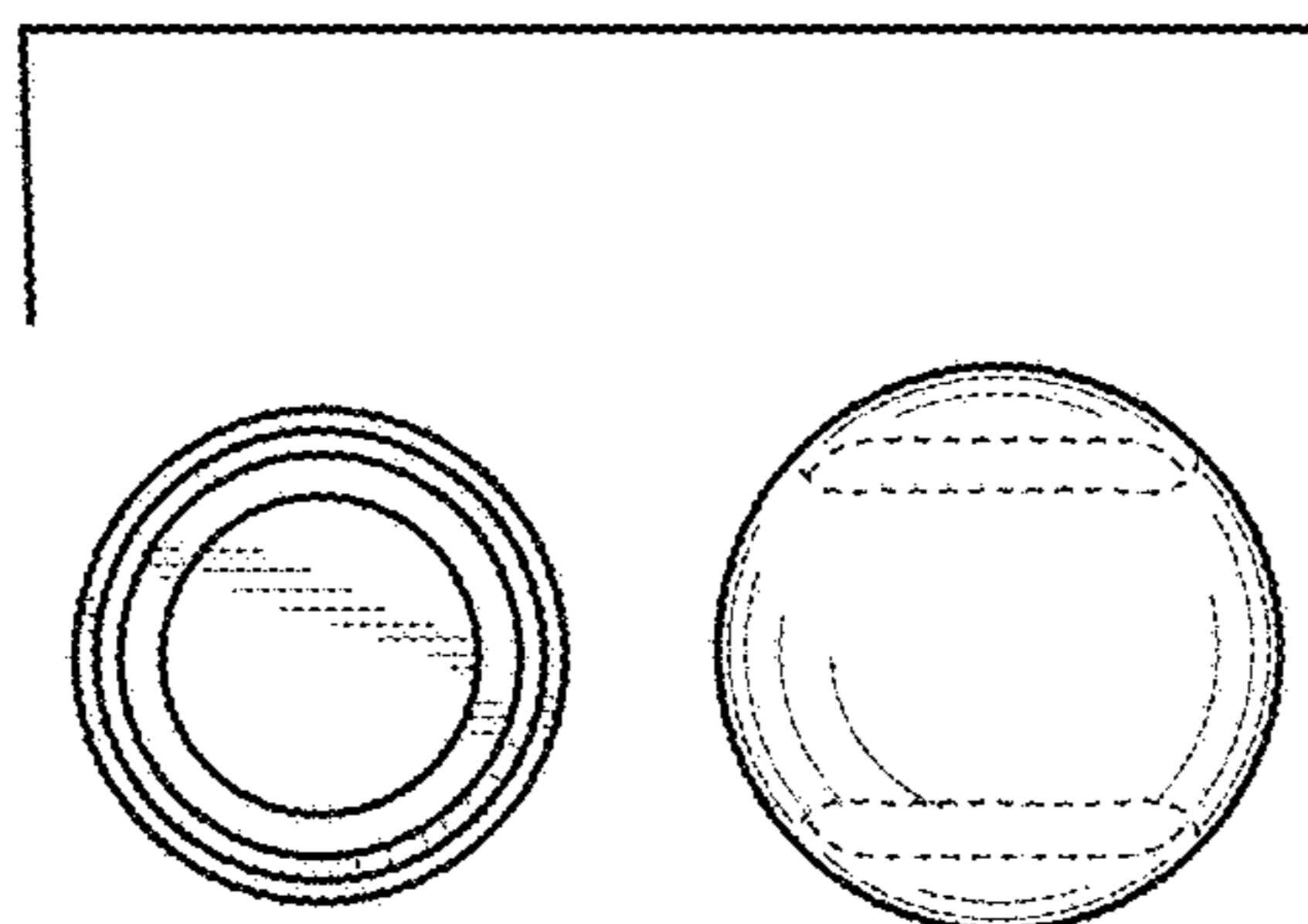
**FIG. 4**



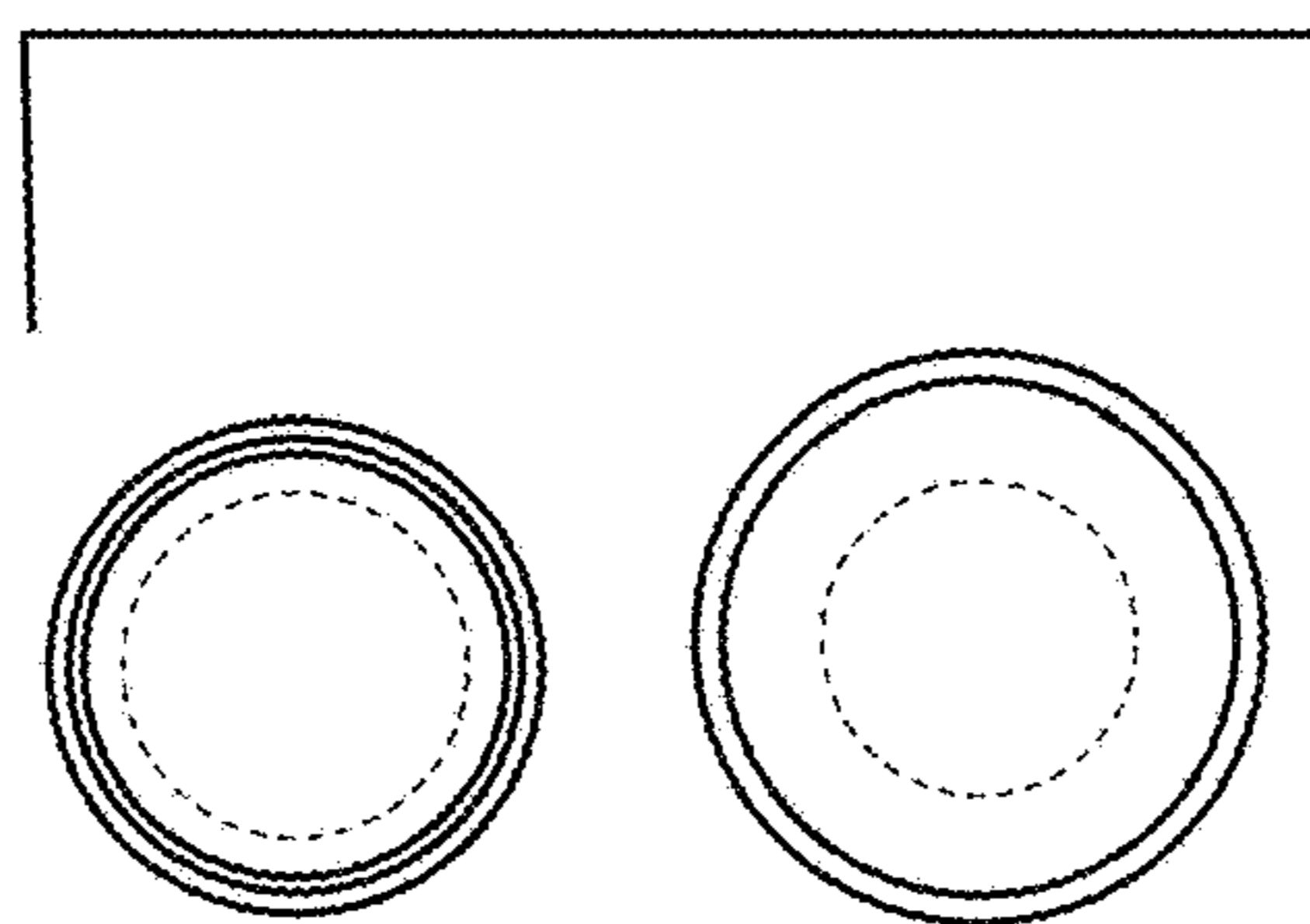
**FIG. 5**



**FIG. 6**



**FIG. 7**



**FIG. 8**