

US00D866858S

(12) **United States Design Patent** (10) **Patent No.:** **US D866,858 S**
Long et al. (45) **Date of Patent:** **** Nov. 12, 2019**

- (54) **SHAVING RAZOR CARTRIDGE**
- (71) Applicant: **The Gillette Company LLC**, Boston, MA (US)
- (72) Inventors: **Matthew Michael Long**, Methuen, MA (US); **Dean Bernard Sheehan, II**, Billerica, MA (US); **John Hunter Spears**, Boston, MA (US)
- (73) Assignee: **The Gillette Company LLC**, Boston, MA (US)
- (**) Term: **15 Years**
- (21) Appl. No.: **29/647,169**
- (22) Filed: **May 10, 2018**
- (51) **LOC (12) Cl.** **28-03**
- (52) **U.S. Cl.**
USPC **D28/47**
- (58) **Field of Classification Search**
USPC D28/45-48
CPC B26B 21/00-06; B26B 21/08-227; B26B 21/24-28; B26B 21/30-38; B26B 21/40-4093; B26B 21/52-528
See application file for complete search history.

D563,043 S	2/2008	Ramm	
D563,044 S	2/2008	Ramm	
7,610,683 B2 *	11/2009	Brown B26B 21/00 30/50
D622,904 S	8/2010	Kinard et al.	
D627,518 S *	11/2010	Kinard D28/47
D630,378 S *	1/2011	Jung D28/47
D631,198 S *	1/2011	Adams D28/47
D638,580 S *	5/2011	Adams D28/46
D640,415 S *	6/2011	Wonderley D28/47
D653,395 S *	1/2012	Adams D28/47
D662,661 S *	6/2012	Corbeil D28/47
D698,998 S *	2/2014	Lukan D28/46
D748,856 S *	2/2016	Mahony D28/47
D772,484 S *	11/2016	Otsuka D28/47
D778,498 S *	2/2017	Petratou D28/47
D819,273 S *	5/2018	Cabrera D28/47
D829,380 S *	9/2018	Kong D28/47
D837,452 S *	1/2019	Goeder D28/47

* cited by examiner

Primary Examiner — Jennifer Rivard
(74) *Attorney, Agent, or Firm* — Kevin C. Johnson

(57) **CLAIM**

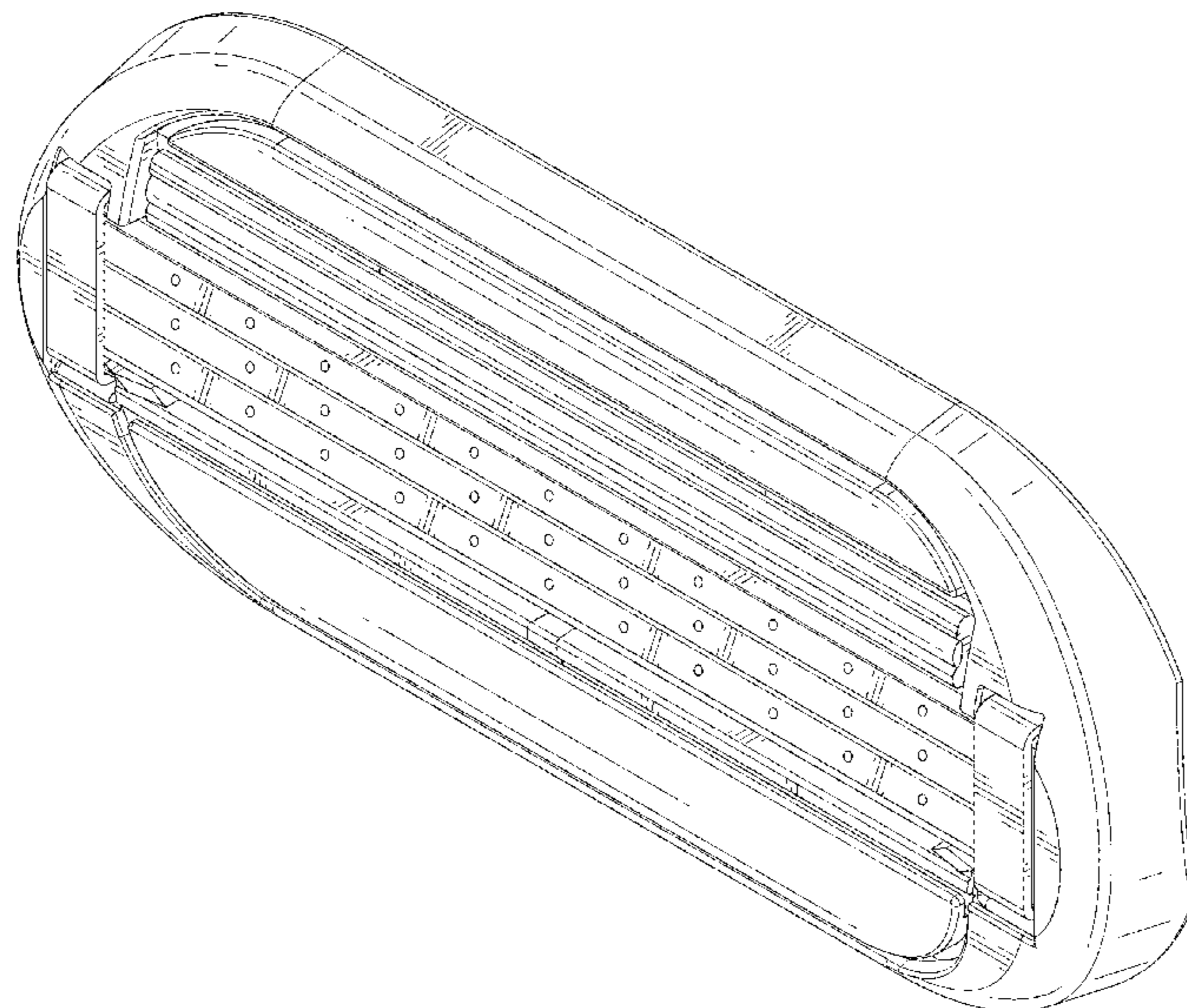
The ornamental design for a shaving razor cartridge, as shown and described.

DESCRIPTION

FIG. 1 is a top perspective view of a shaving razor cartridge showing our new design;
FIG. 2 is a top view thereof;
FIG. 3 is a bottom view thereof;
FIG. 4 is a right view thereof;
FIG. 5 is a left view thereof;
FIG. 6 is a rear view thereof;
FIG. 7 is a front view thereof; and,
FIG. 8 is a bottom perspective view of a shaving razor cartridge showing our new design.

1 Claim, 6 Drawing Sheets

- (56) **References Cited**
U.S. PATENT DOCUMENTS
- D343,254 S * 1/1994 Miller D28/47
- 5,604,983 A * 2/1997 Simms B26B 21/44
30/49
- D415,315 S 10/1999 Swanson et al.
- 6,161,287 A * 12/2000 Swanson B26B 21/225
30/50
- D524,986 S * 7/2006 Prudden, Jr. D28/47
- D542,972 S * 5/2007 Pryor D28/47
- D547,494 S * 7/2007 Watson D28/47
- D550,400 S * 9/2007 Orloff D28/47



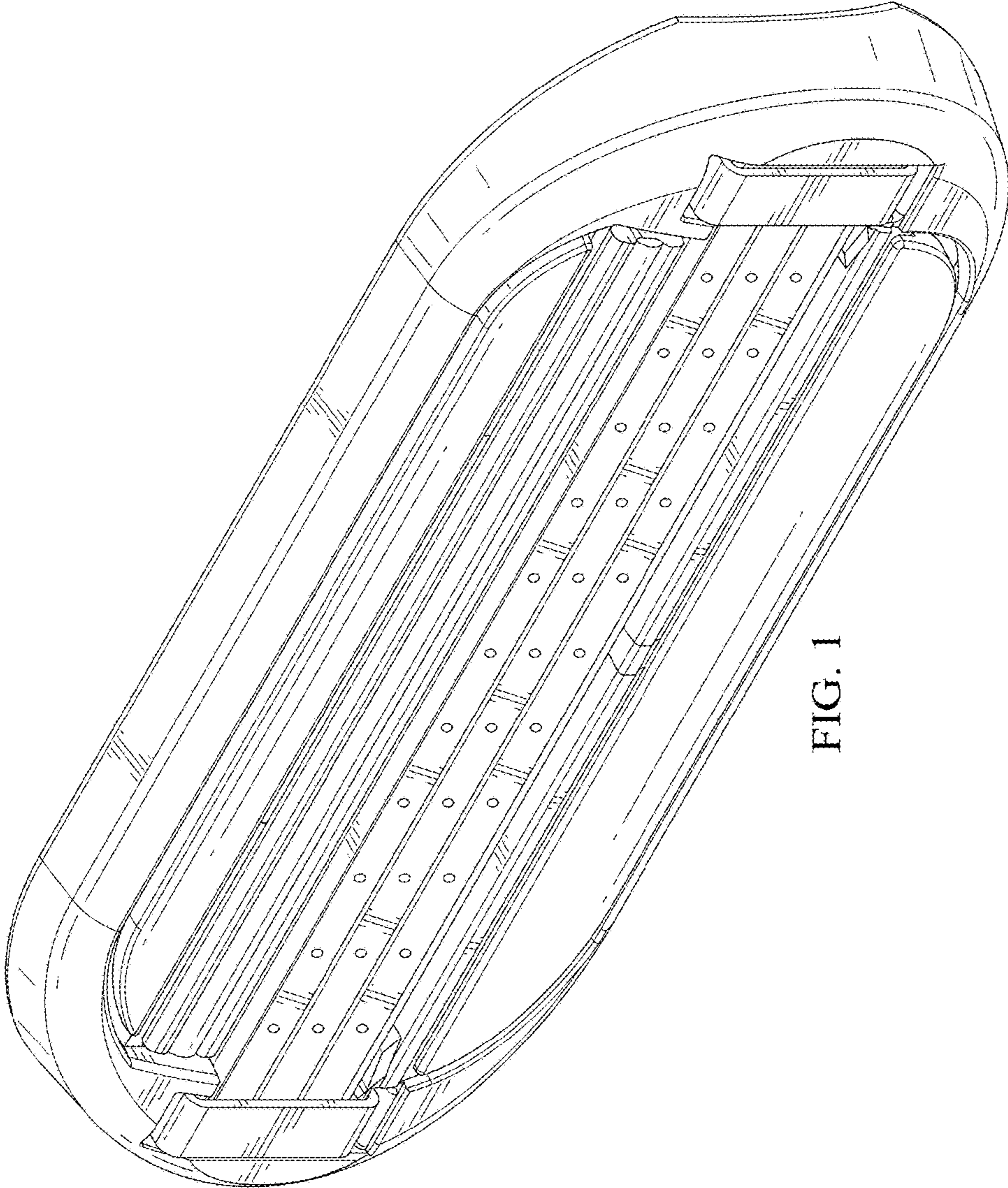


FIG. 1

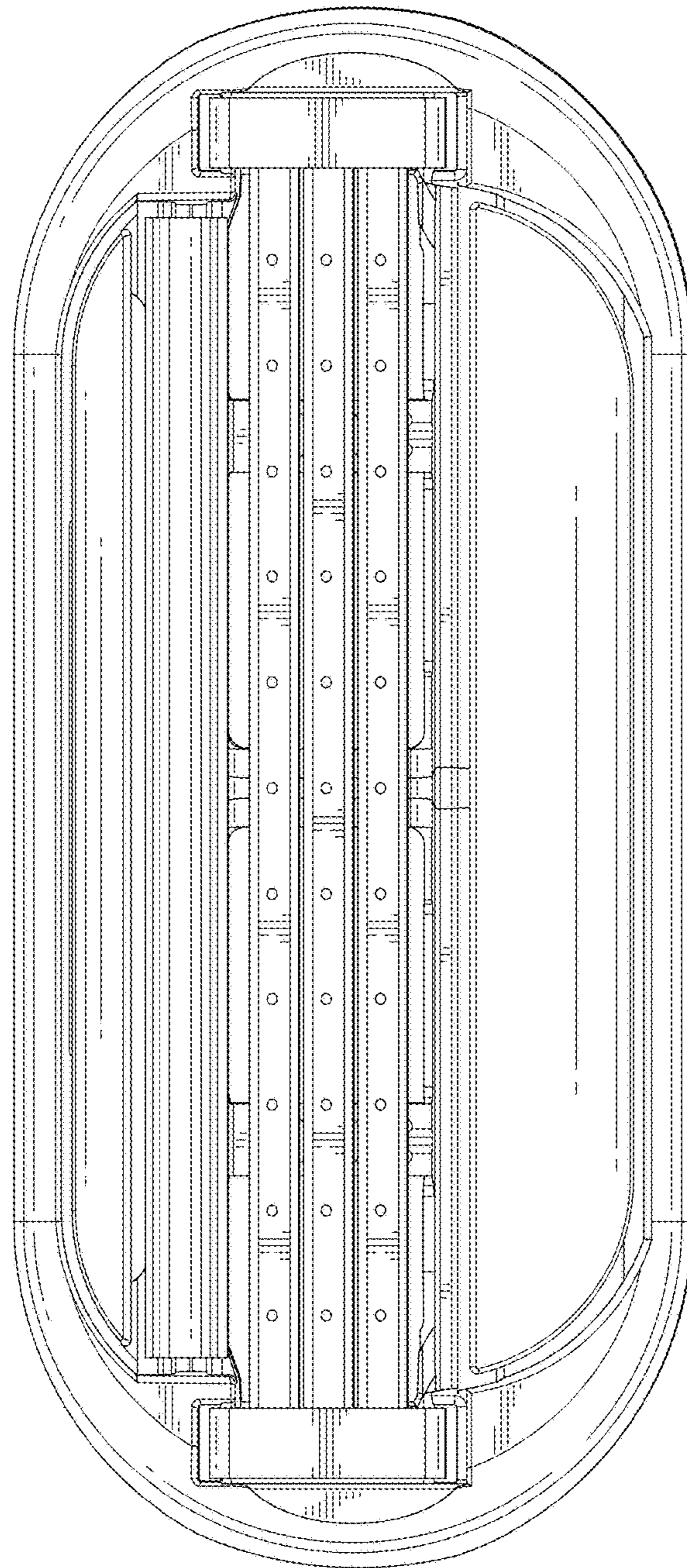


FIG. 2

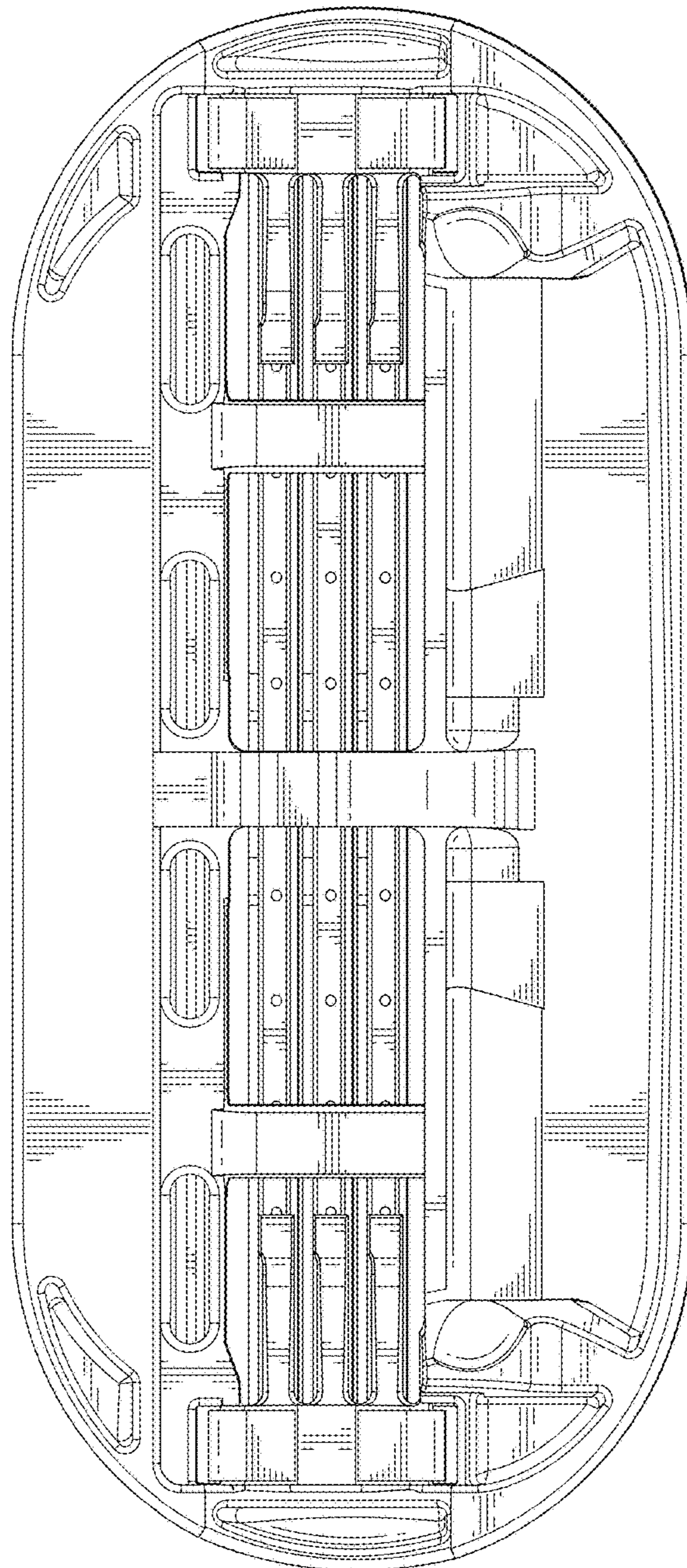


FIG. 3

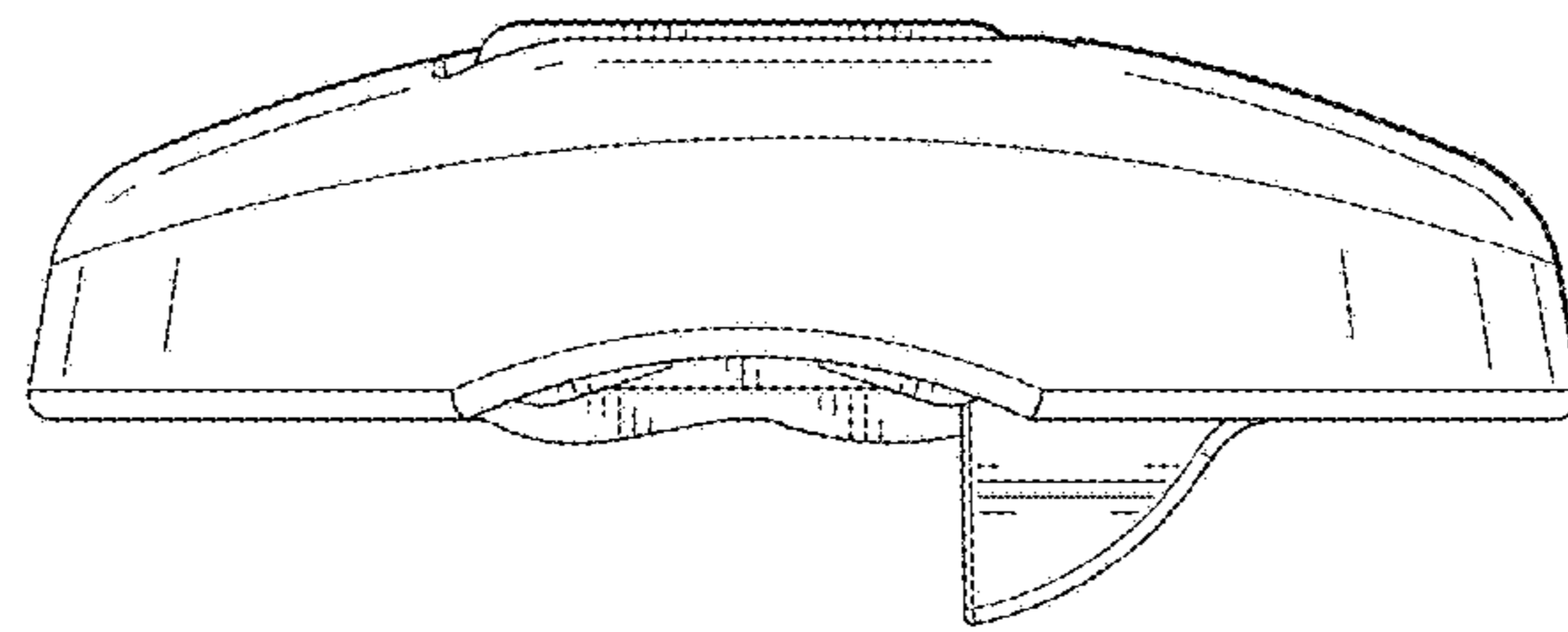


FIG. 5

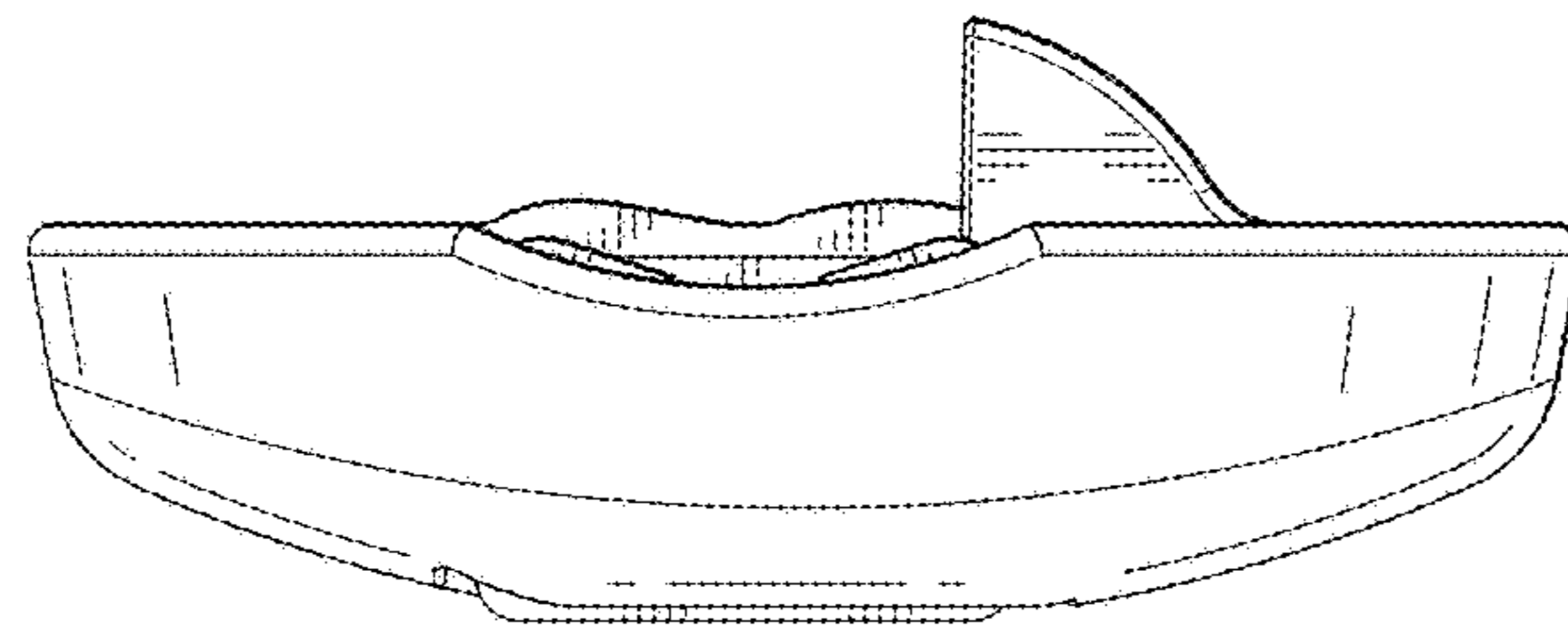


FIG. 4

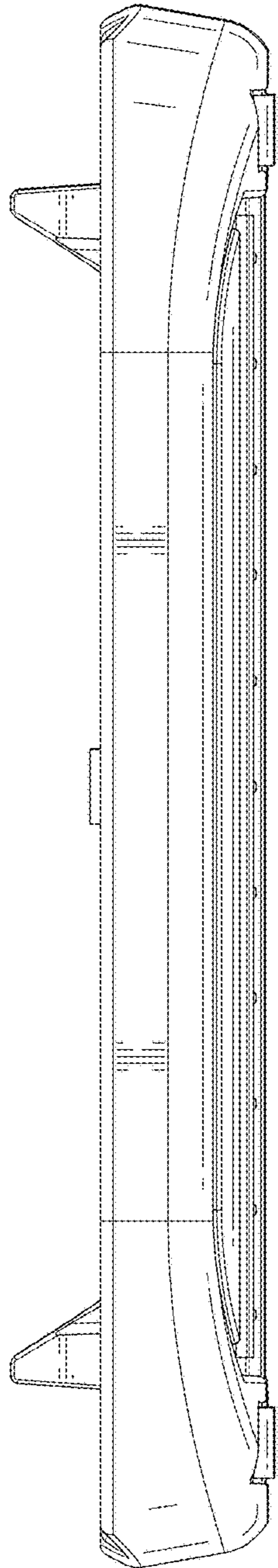


FIG. 6

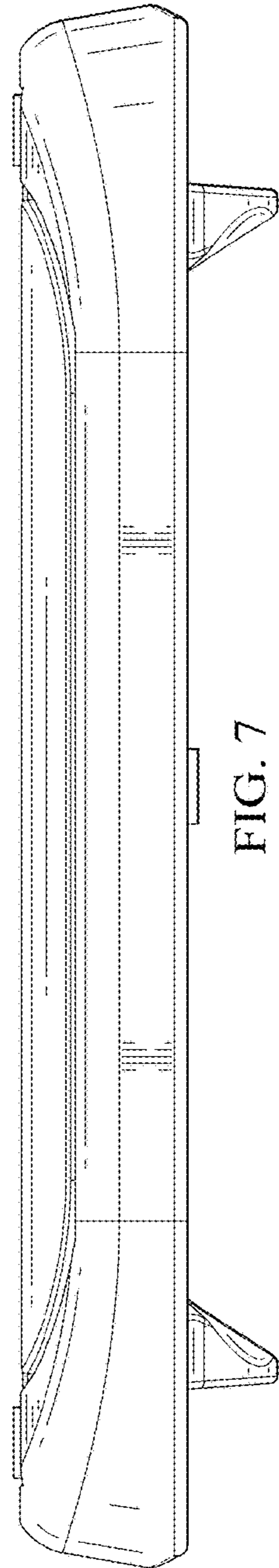


FIG. 7

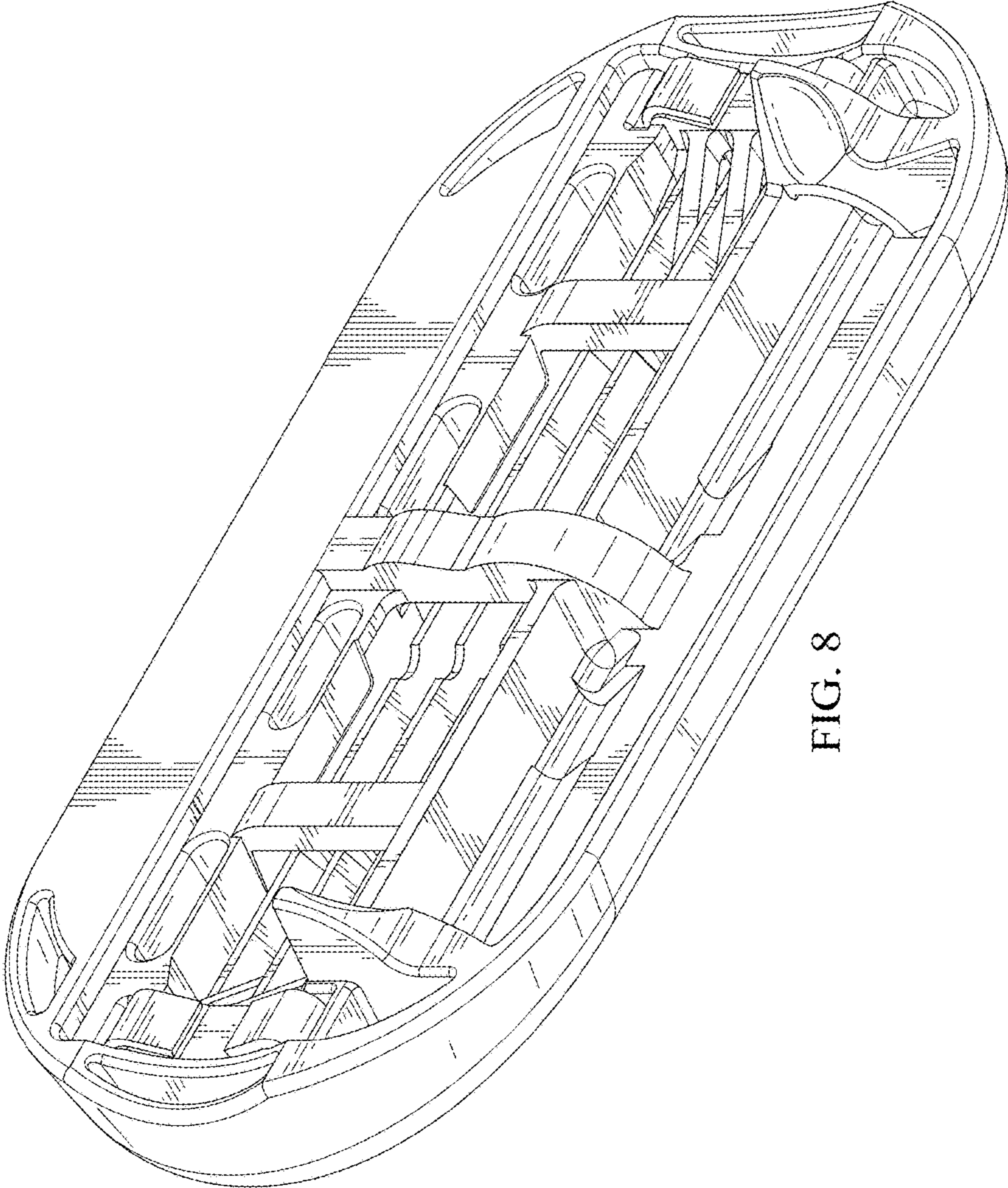


FIG. 8