



US00D866857S

(12) **United States Design Patent** (10) **Patent No.:** **US D866,857 S**
Rennells (45) **Date of Patent:** **** Nov. 12, 2019**

(54) **HAIR CURLER** 3,820,551 A * 6/1974 Lanzillotta A45D 20/10
132/229
(71) Applicant: **Lauren Rennells**, Littleton, CO (US) 5,191,907 A * 3/1993 Hirzel A45D 1/18
132/107
(72) Inventor: **Lauren Rennells**, Littleton, CO (US) D347,085 S * 5/1994 Hirzel D28/37
D394,730 S * 5/1998 Olsson D28/7
D533,355 S * 12/2006 Rusk D4/132
(**) Term: **15 Years** 2006/0102190 A1* 5/2006 Rusk A45D 7/02
132/200
(21) Appl. No.: **29/625,228** 2018/0343996 A1* 12/2018 Yu A45D 2/367

(22) Filed: **Nov. 8, 2017**
(51) **LOC (12) Cl.** **28-03**
(52) **U.S. Cl.**
USPC **D28/37**; D28/29
(58) **Field of Classification Search**
USPC D28/35, 37, 28-33; D4/127-128
CPC . A45D 2/12; A45D 2/122; A45D 2/14; A45D
2/145; A45D 2/146; A45D 2/16; A45D
2/02; A45D 2/08; A45D 2/10; A45D
24/00; A45D 24/04; A45D 24/02; A45D
6/02-04
See application file for complete search history.

(56) **References Cited**
U.S. PATENT DOCUMENTS
2,272,942 A * 2/1942 Goodwin A45D 2/14
132/107
D152,844 S * 2/1949 Wajdik 132/223
D157,297 S * 2/1950 Sparks 132/223
2,619,095 A * 11/1952 Forcey A45D 2/10
132/248
D203,736 S * 2/1966 Giannola 132/107

FOREIGN PATENT DOCUMENTS

EP 2004004 B1 * 9/2015 A45D 20/525
GB 612976 A * 11/1948 A45D 2/146

* cited by examiner

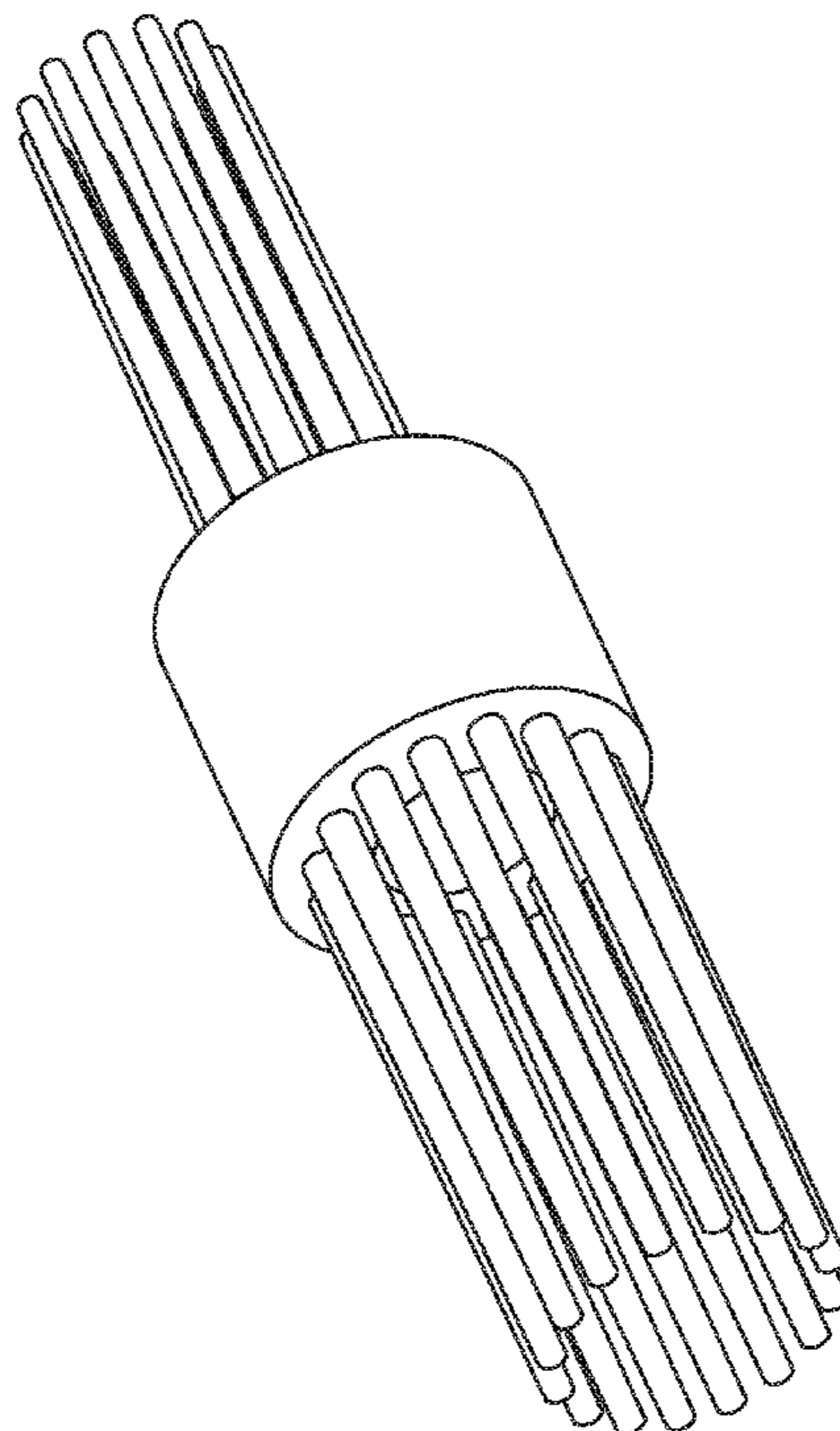
Primary Examiner — Jennifer Rivard
(74) *Attorney, Agent, or Firm* — Law Office of Mark Levy

(57) **CLAIM**
The ornamental design for a hair curler, as shown and described.

DESCRIPTION

FIG. 1 is a perspective view of the hair curler, showing my new design;
FIG. 2 is a front view thereof;
FIG. 3 is a top view thereof; and,
FIG. 4 is a bottom view thereof.
The rear, left, and right views are identical to the front view.

1 Claim, 3 Drawing Sheets



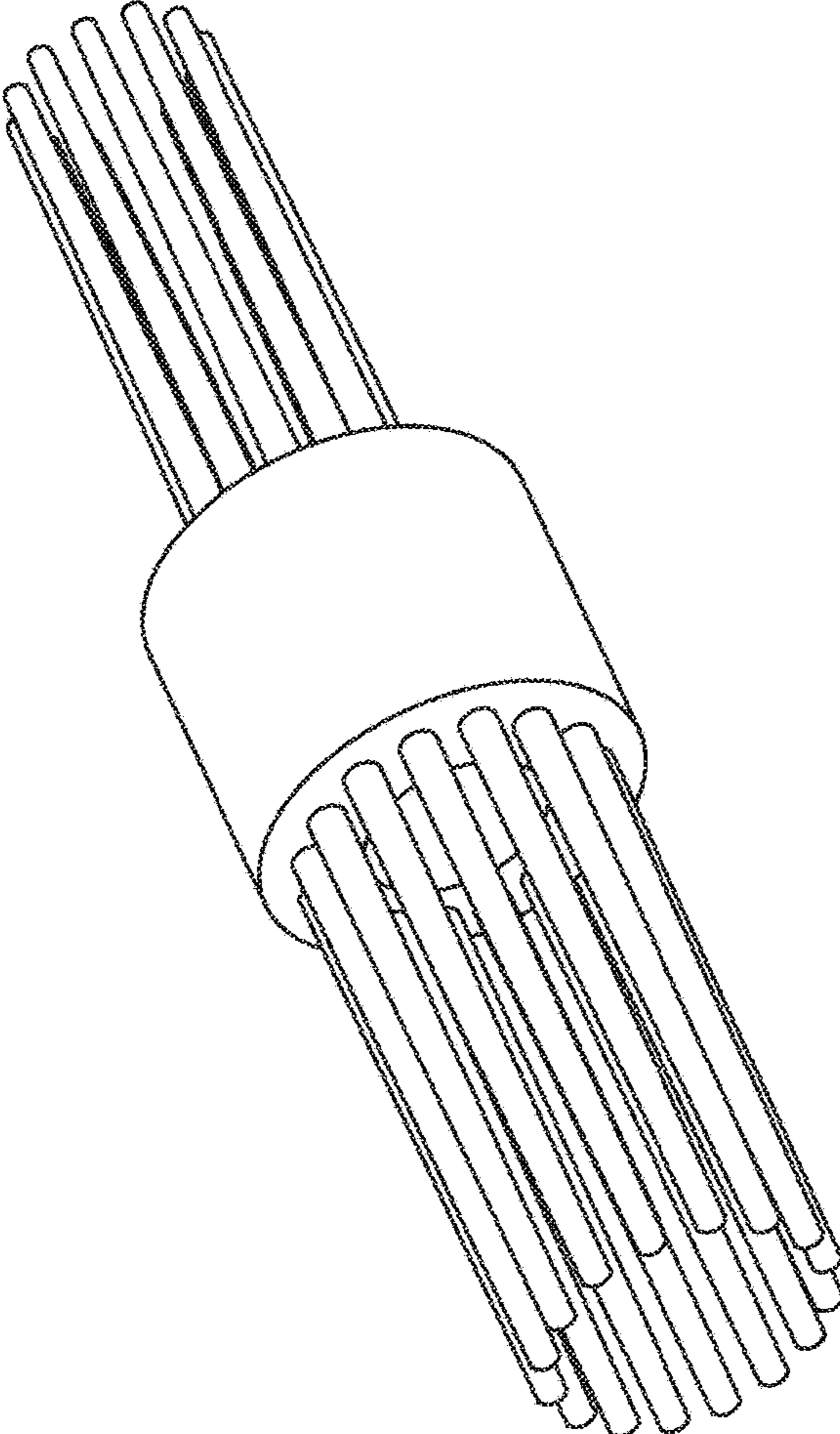


FIGURE 1

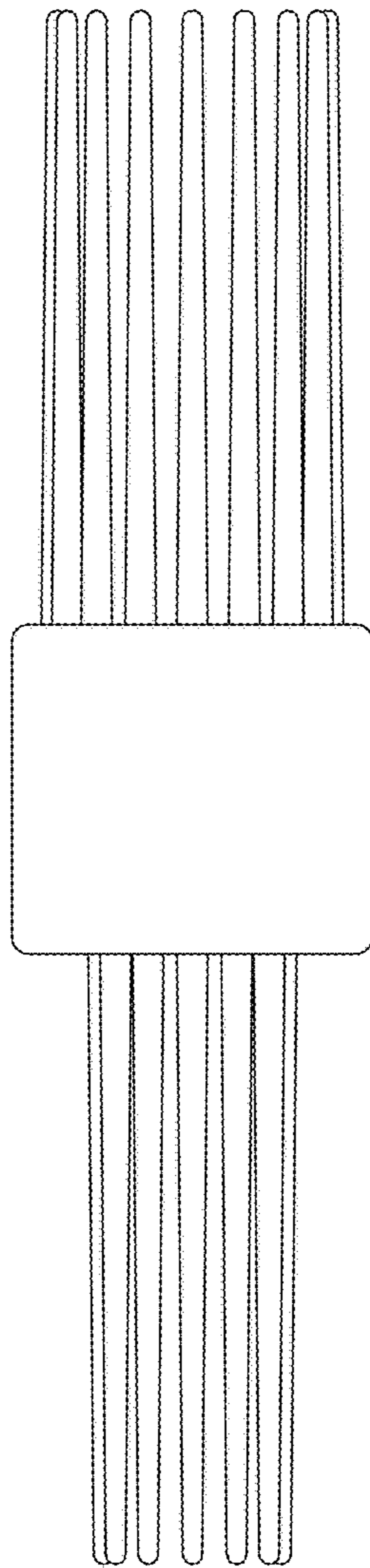


FIGURE 2

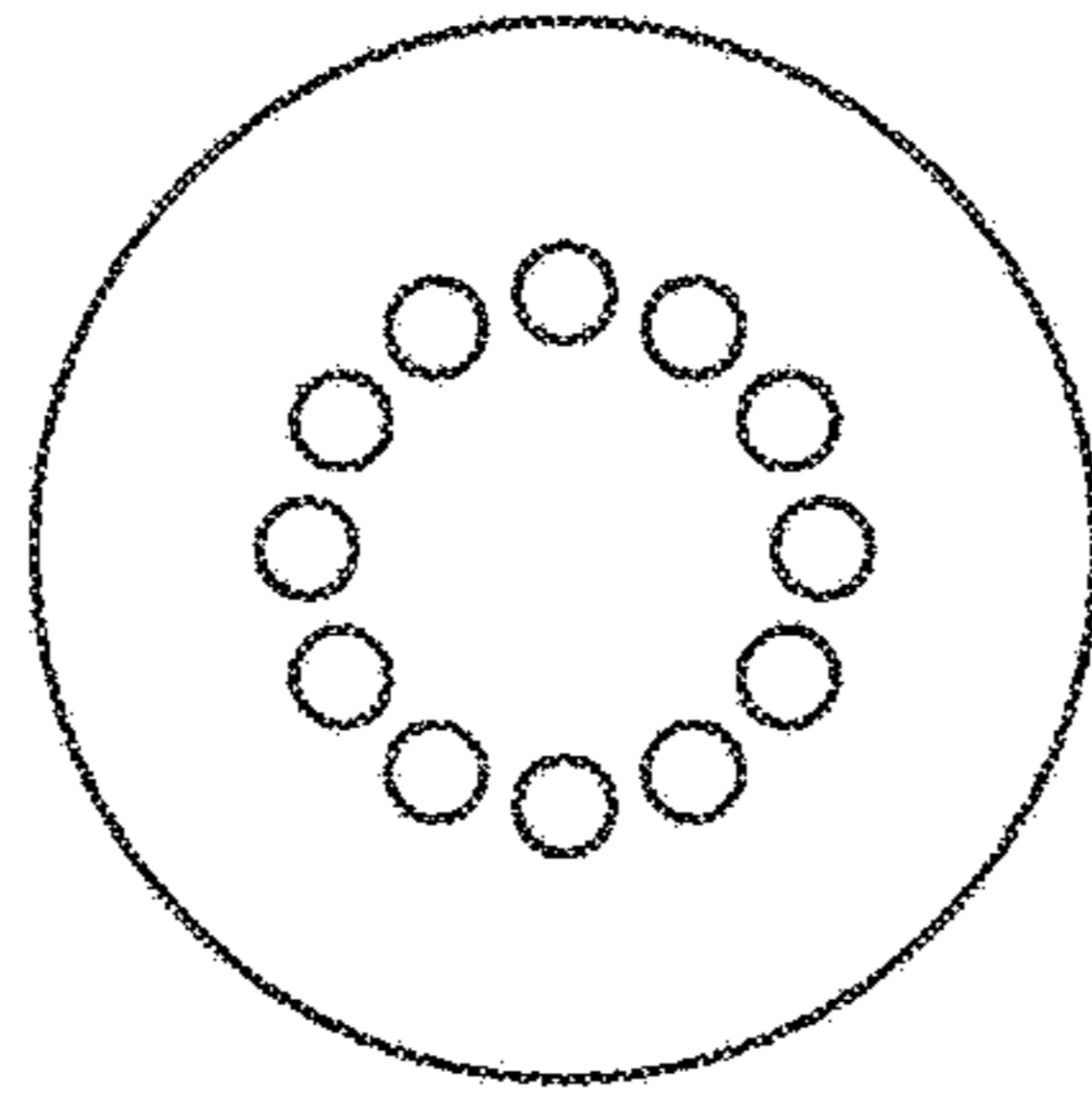


FIGURE 3

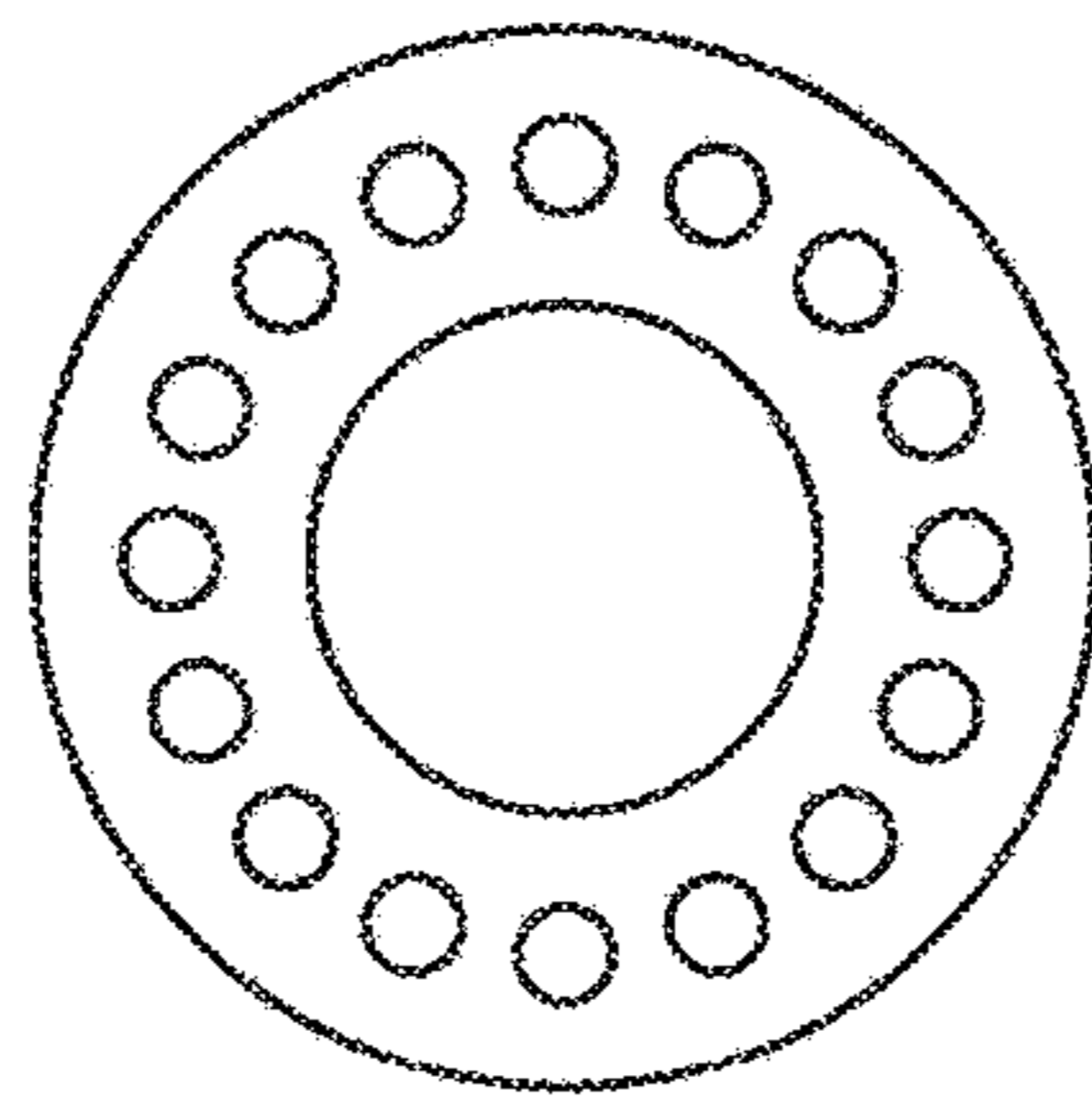


FIGURE 4