



US00D866847S

(12) **United States Design Patent**
Lafleur

(10) **Patent No.:** **US D866,847 S**

(45) **Date of Patent:** **** Nov. 12, 2019**

(54) **TRIPLE HEAD LED SOLAR MOTION LIGHT WITH VERTICAL LED SECTION**

(71) Applicant: **LES PRODUITS SUNFORCE INC.**,
Montreal-Ouest (CA)

(72) Inventor: **Andre Lafleur**, Boucherville (CA)

(73) Assignee: **LES PRODUITS SUNFORCE INC.**,
Montreal (CA)

(**) Term: **15 Years**

(21) Appl. No.: **29/638,453**

(22) Filed: **Feb. 27, 2018**

(51) **LOC (12) Cl.** **26-99**

(52) **U.S. Cl.**
USPC **D26/120**

(58) **Field of Classification Search**
USPC D26/24, 51, 61, 63, 65, 72, 80, 118, 120,
D26/128; D16/203

CPC F21S 8/04; F21S 8/00; F21V 21/00; F21V
17/02; F21V 14/02; F21V 21/30; F21V
21/14; F21V 21/26; F21W 2131/10;
G03B 13/196; H04N 5/2251; H04N
5/2253; H04N 5/2254

See application file for complete search history.

(56) **References Cited**

U.S. PATENT DOCUMENTS

D386,801 S * 11/1997 Orgovan D20/10
D670,022 S * 10/2012 Green D26/128
D735,927 S * 8/2015 Lee D26/120

(Continued)

Primary Examiner — Brian N. Vinson

(74) *Attorney, Agent, or Firm* — Benoit & Cote, Inc.; C.
Marc Benoit

(57) **CLAIM**

I claim the ornamental design for triple head LED solar motion light with vertical LED section, as shown and described.

DESCRIPTION

FIG. 1 is a perspective view of the first embodiment of my ornamental design of the triple head LED solar motion light with vertical LED section;

FIG. 2 is a right side elevation view of the triple head LED solar motion light with vertical LED section of FIG. 1;

FIG. 3 is a front elevation view of the triple head LED solar motion light with vertical LED section of FIG. 1;

FIG. 4 is a left side elevation view of the triple head LED solar motion light with vertical LED section of FIG. 1;

FIG. 5 is a rear elevation view of the triple head LED solar motion light with vertical LED section of FIG. 1;

FIG. 6 is a top plan view of the triple head LED solar motion light with vertical LED section of FIG. 1;

FIG. 7 is a bottom plan view of the triple head LED solar motion light with vertical LED section of FIG. 1;

FIG. 8 is a perspective view of the second embodiment of my ornamental design of the triple head LED solar motion light with vertical LED section;

FIG. 9 is a right side elevation view of the triple head LED solar motion light with vertical LED section of FIG. 8;

FIG. 10 is a front elevation view of the triple head LED solar motion light with vertical LED section of FIG. 8;

FIG. 11 is a left side elevation view of the triple head LED solar motion light with vertical LED section of FIG. 8;

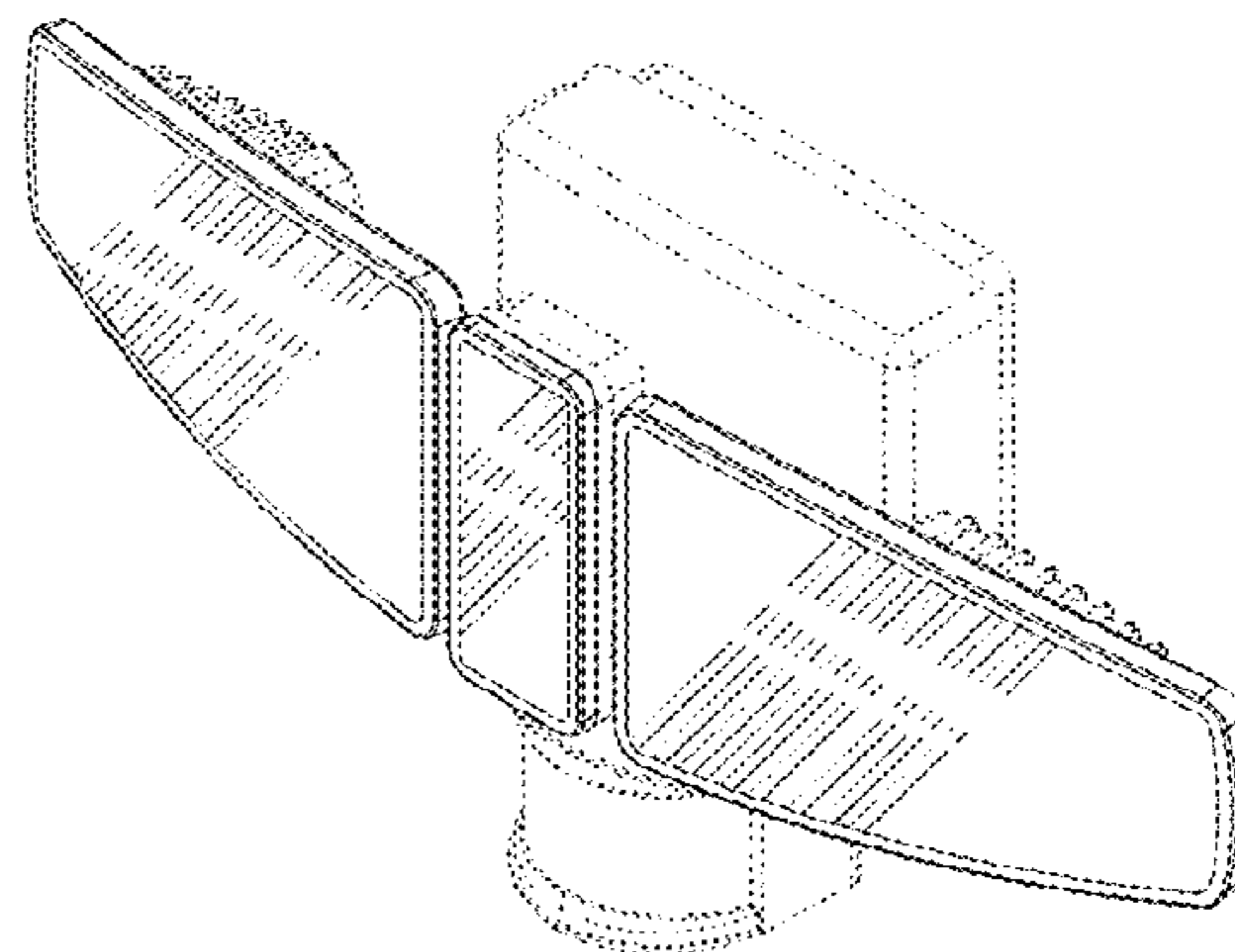
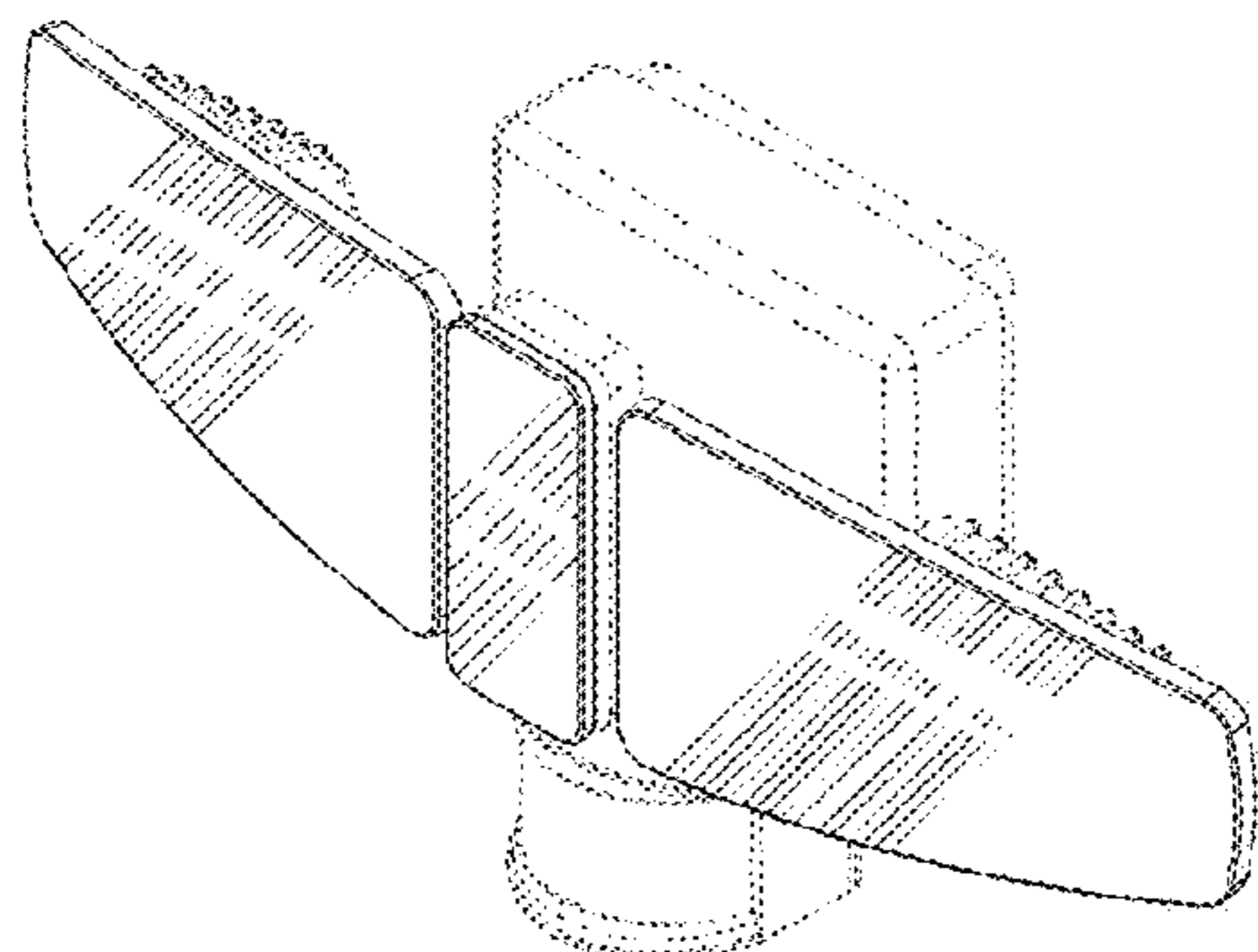
FIG. 12 is a rear elevation view of the triple head LED solar motion light with vertical LED section of FIG. 8;

FIG. 13 is a top plan view of the triple head LED solar motion light with vertical LED section of FIG. 8; and,

FIG. 14 is a bottom plan view of the triple head LED solar motion light with vertical LED section of FIG. 8.

The portions shown in broken lines are for illustrative purposes only and form no part of the design.

1 Claim, 8 Drawing Sheets



(56)

References Cited

U.S. PATENT DOCUMENTS

D753,347 S	*	4/2016	Lu	D30/109
D761,474 S	*	7/2016	Chen	D26/65
D764,700 S	*	8/2016	Chen	D26/118
D781,481 S	*	3/2017	Chen	D26/65
D799,104 S	*	10/2017	Chen	D26/120
D804,075 S	*	11/2017	Fang	D26/65
D821,021 S	*	6/2018	Chen	D26/120
D835,335 S	*	12/2018	Paredes	D26/120

* cited by examiner

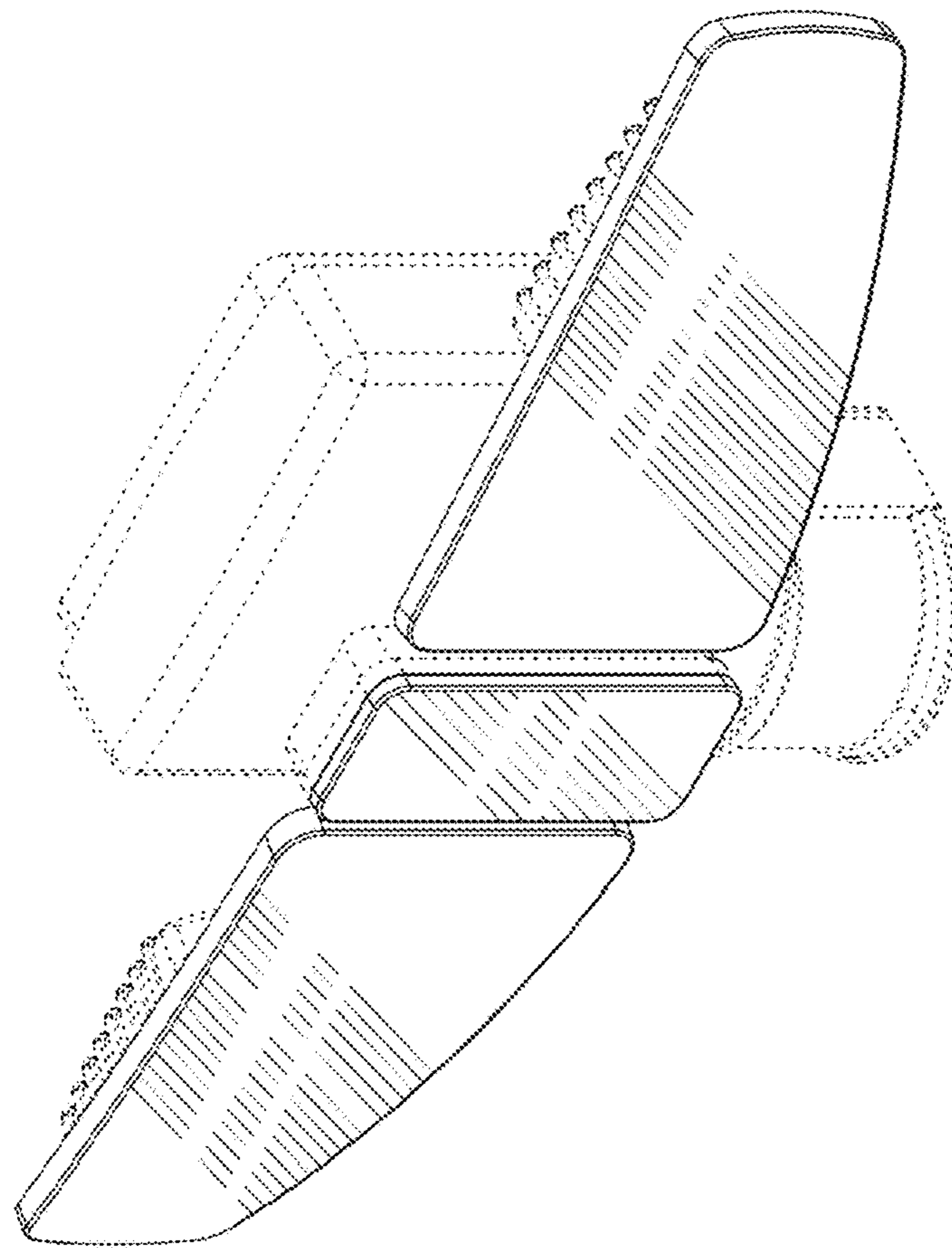


FIG. 1

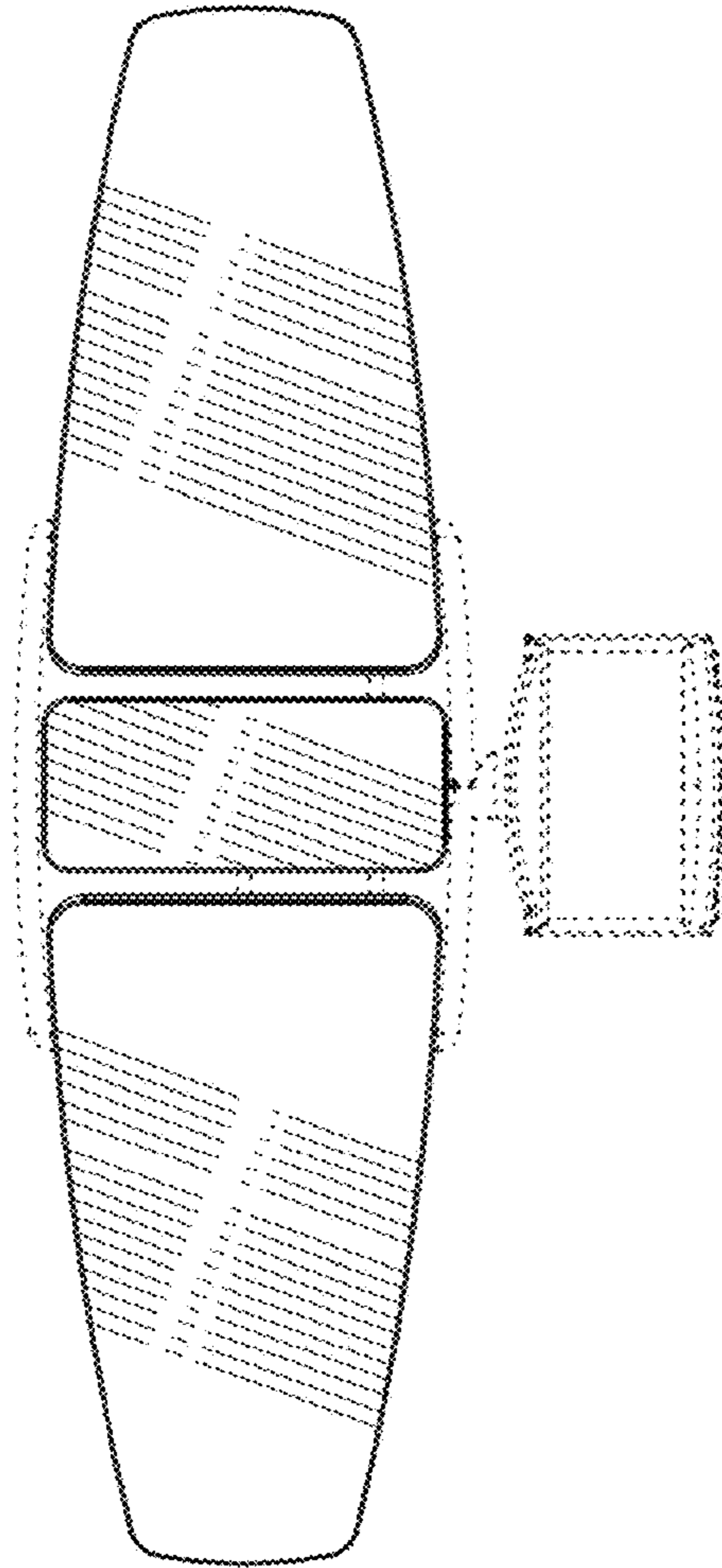


FIG. 2

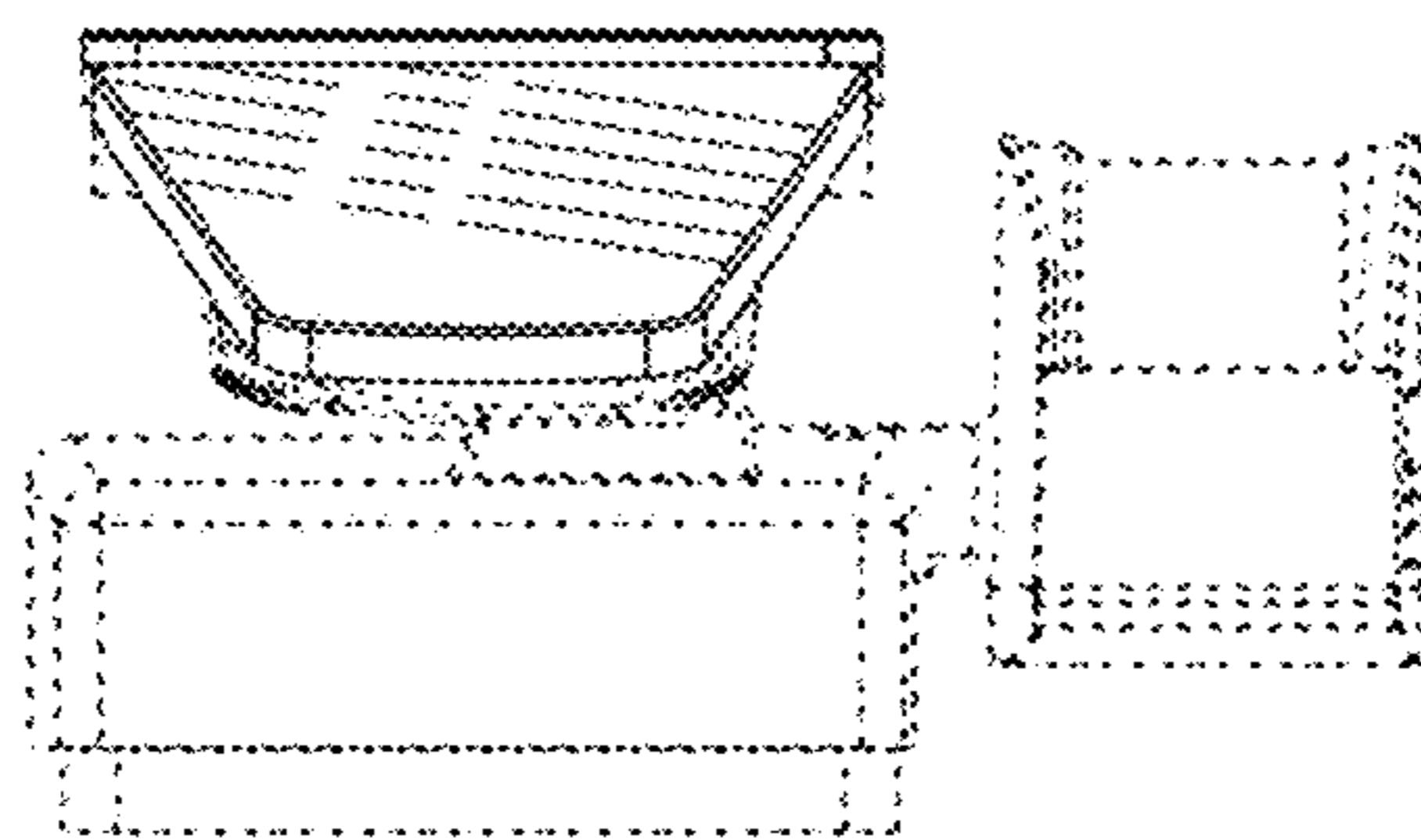


FIG. 3

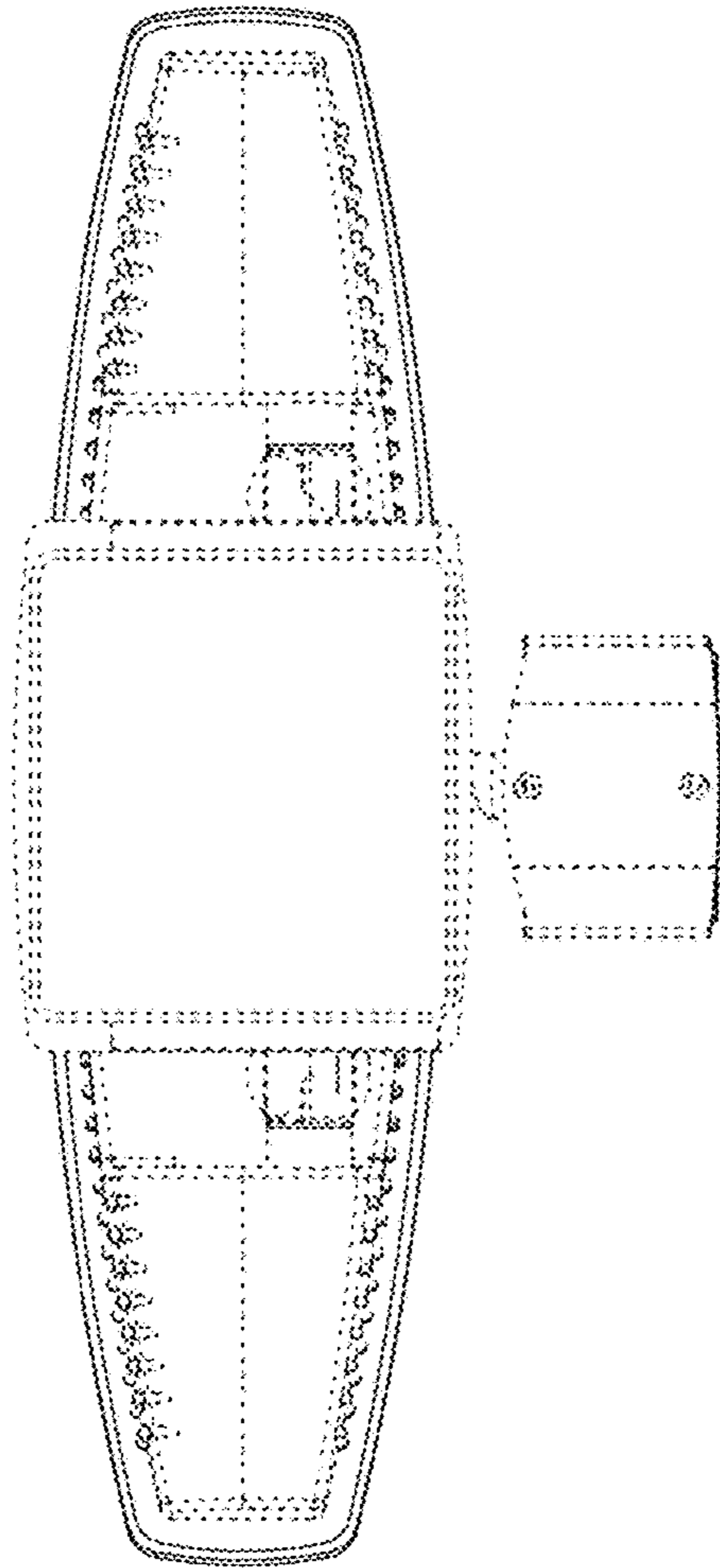


FIG. 5

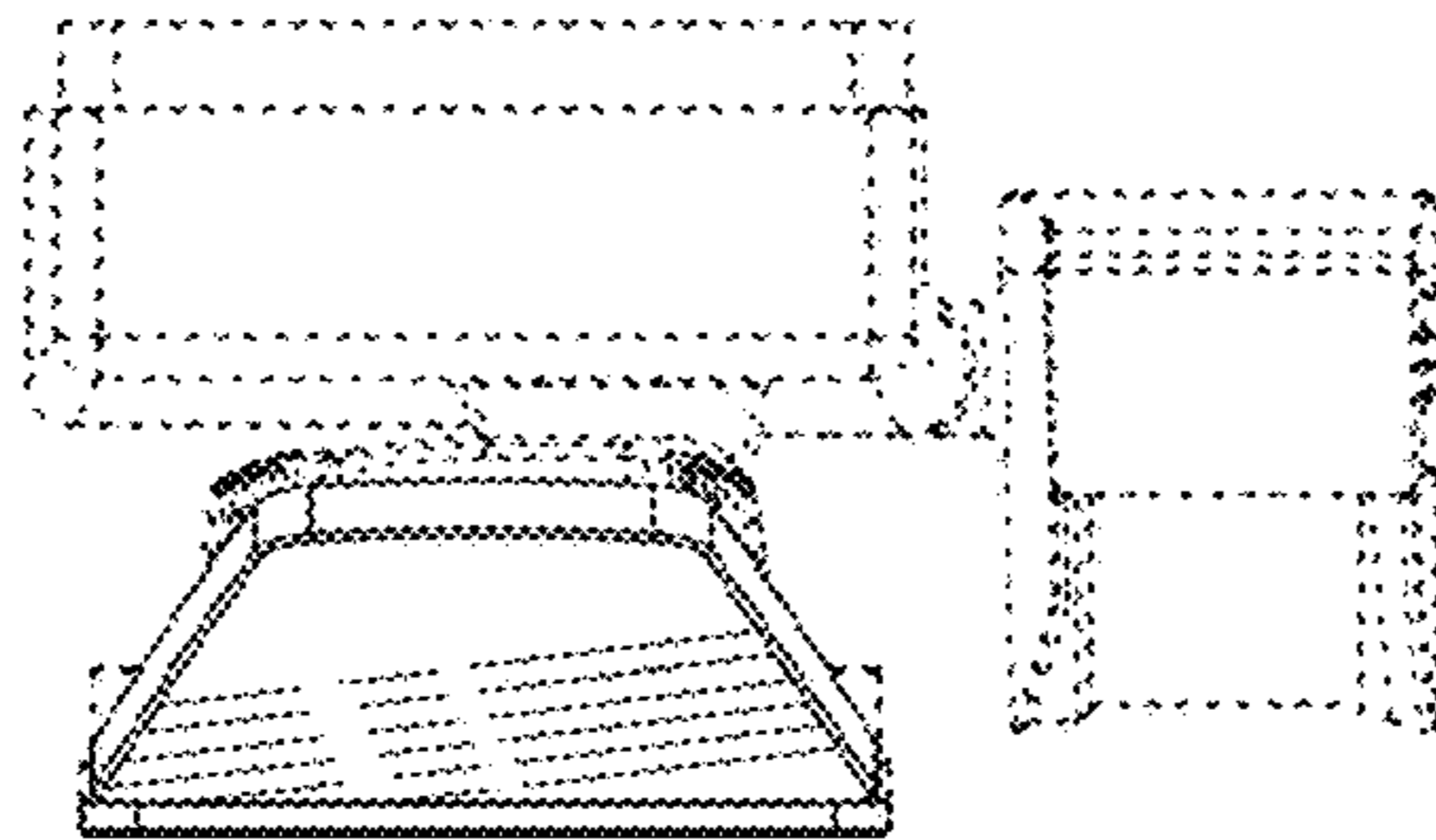


FIG. 4

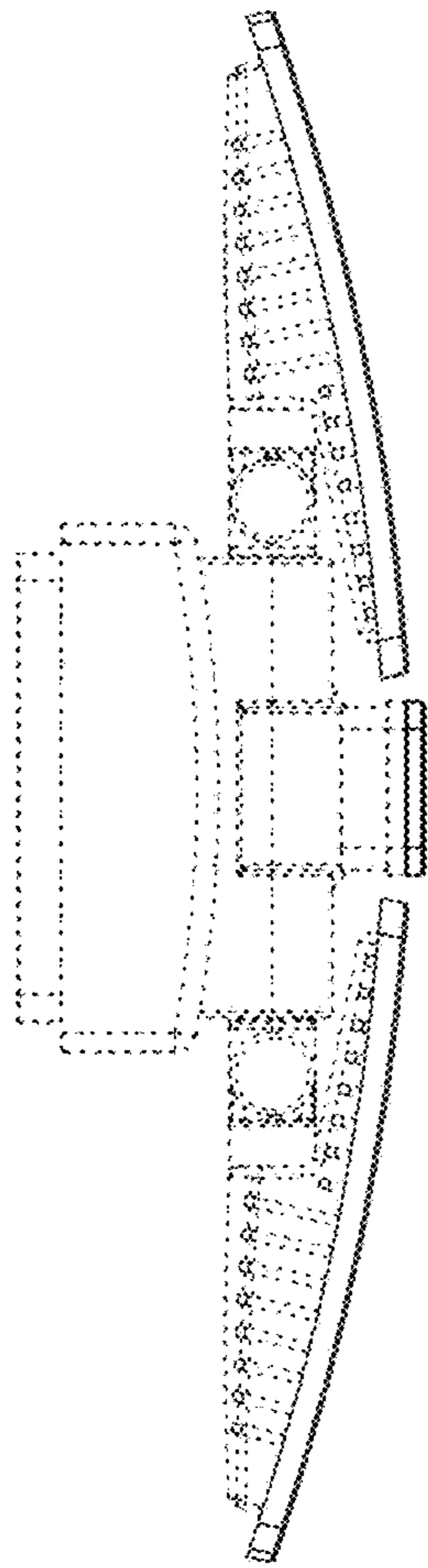


FIG. 6

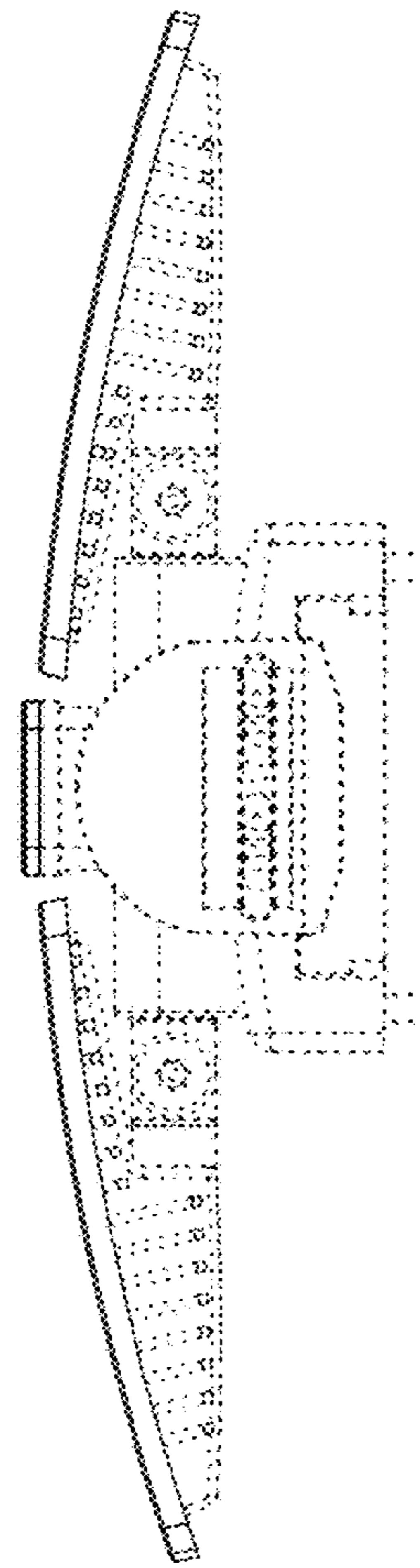


FIG. 7

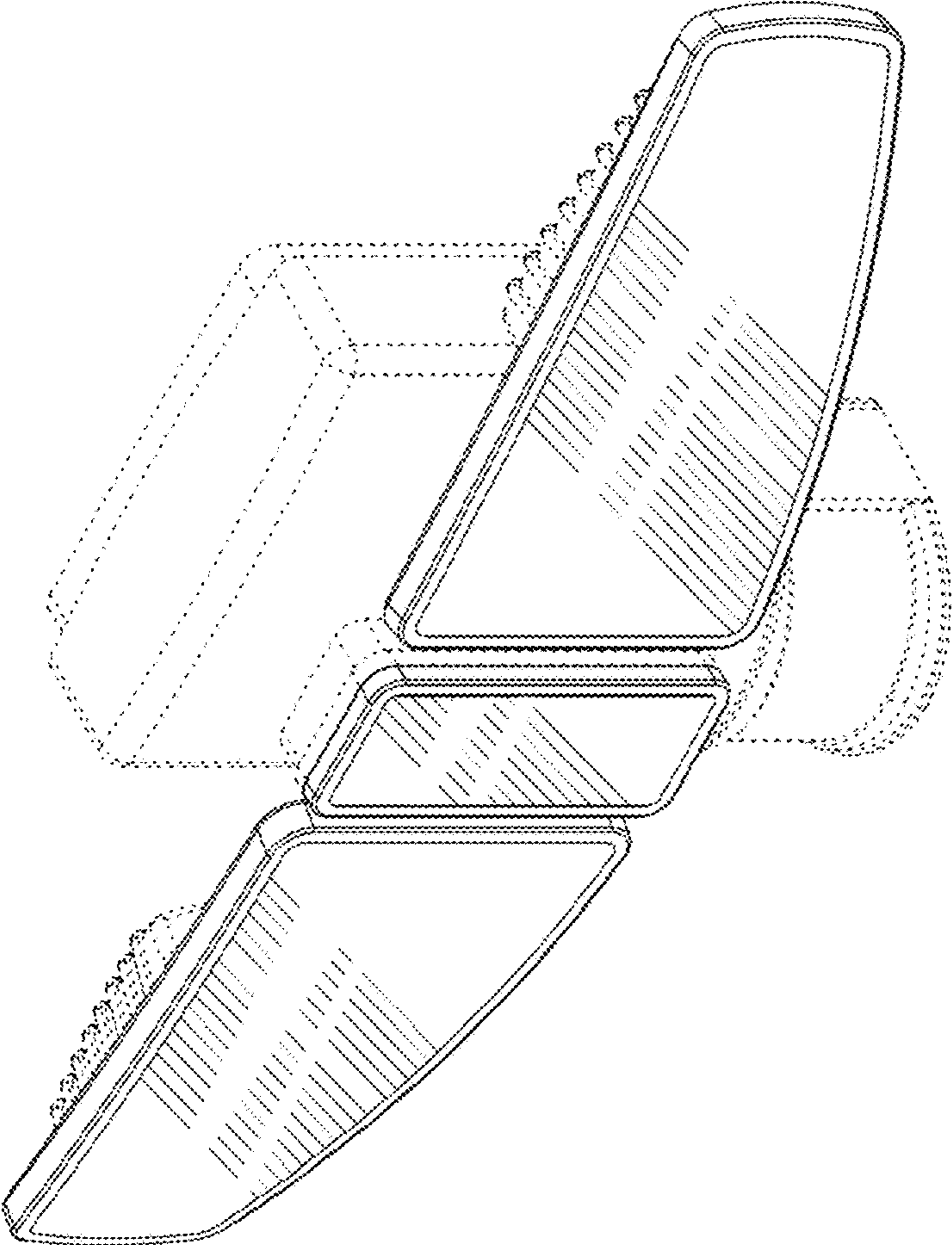


FIG. 8

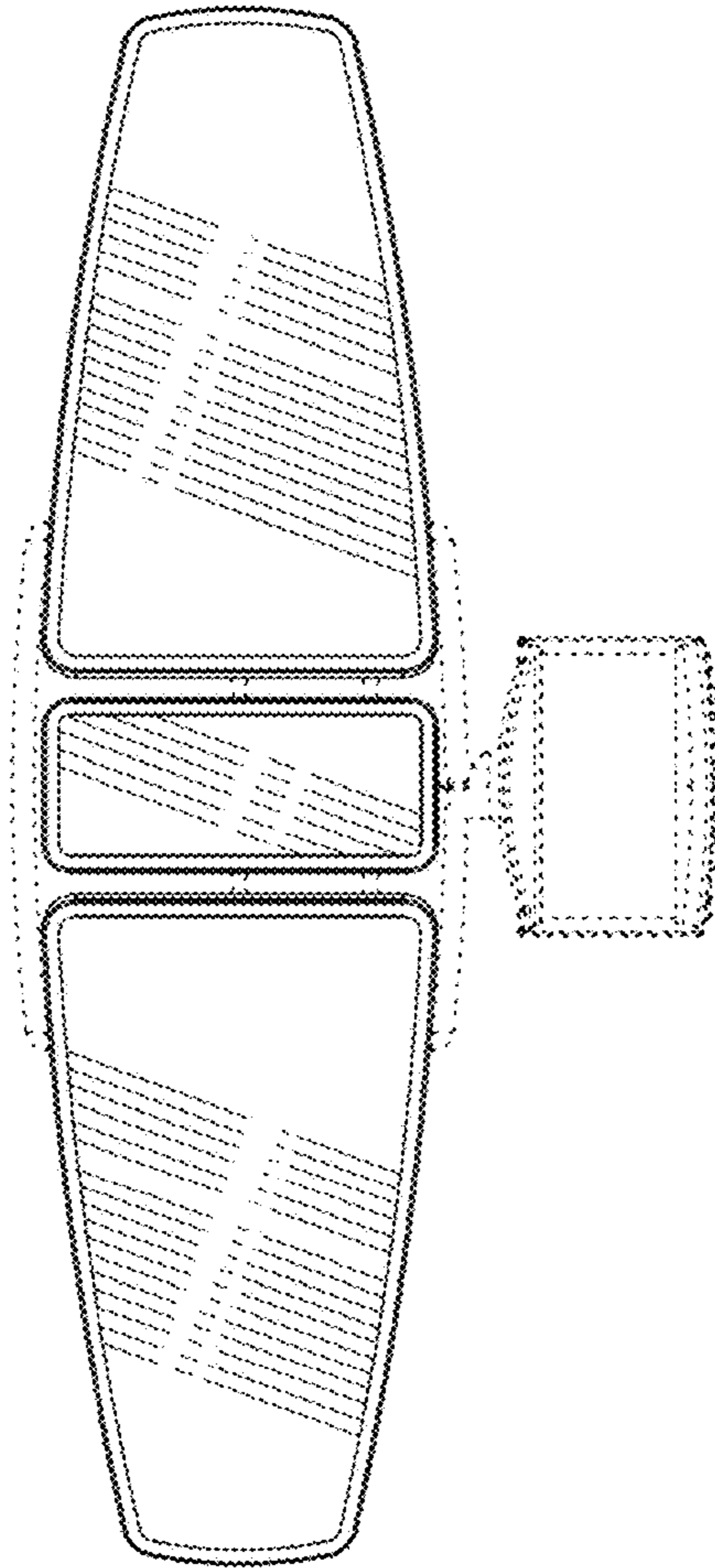


FIG. 9

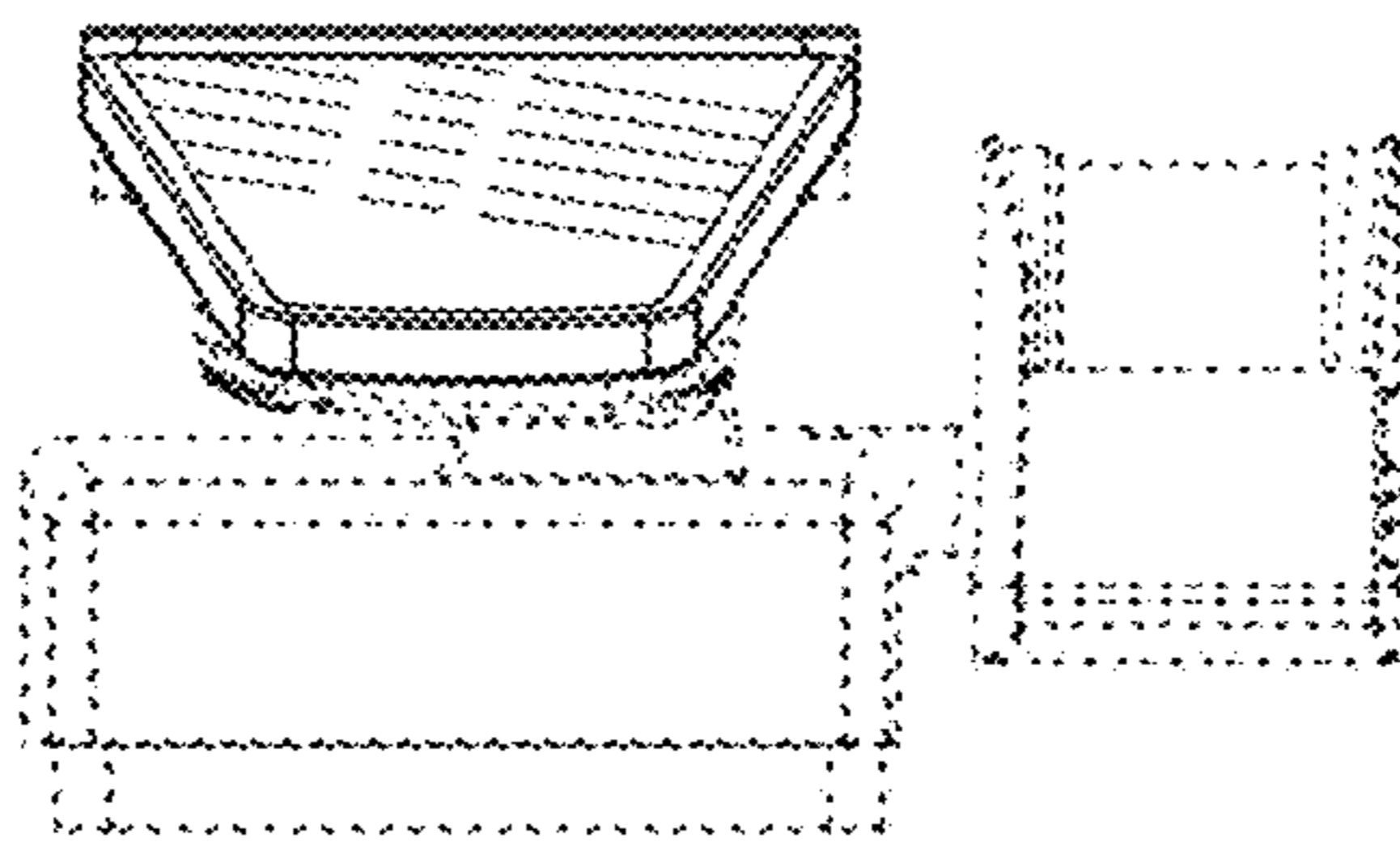


FIG. 10

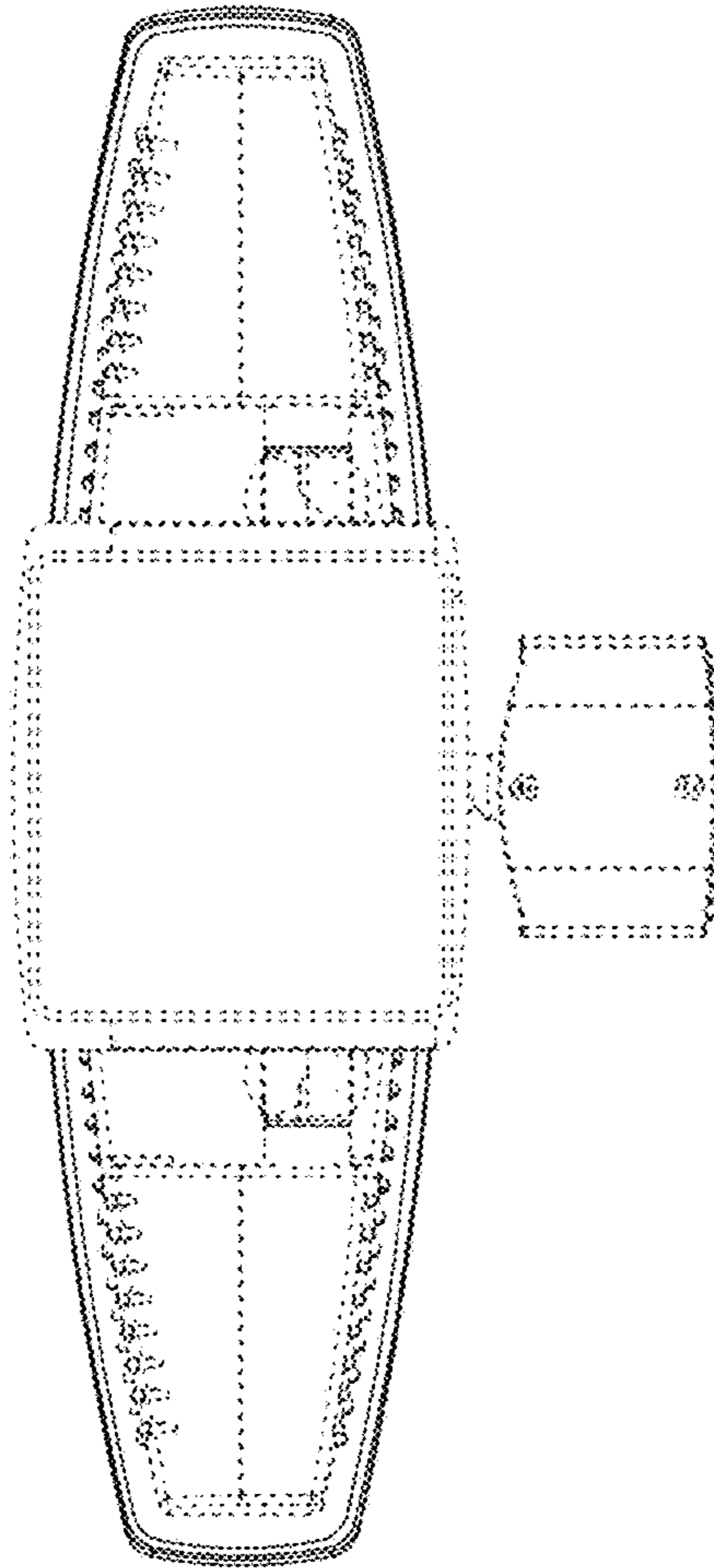


FIG. 12

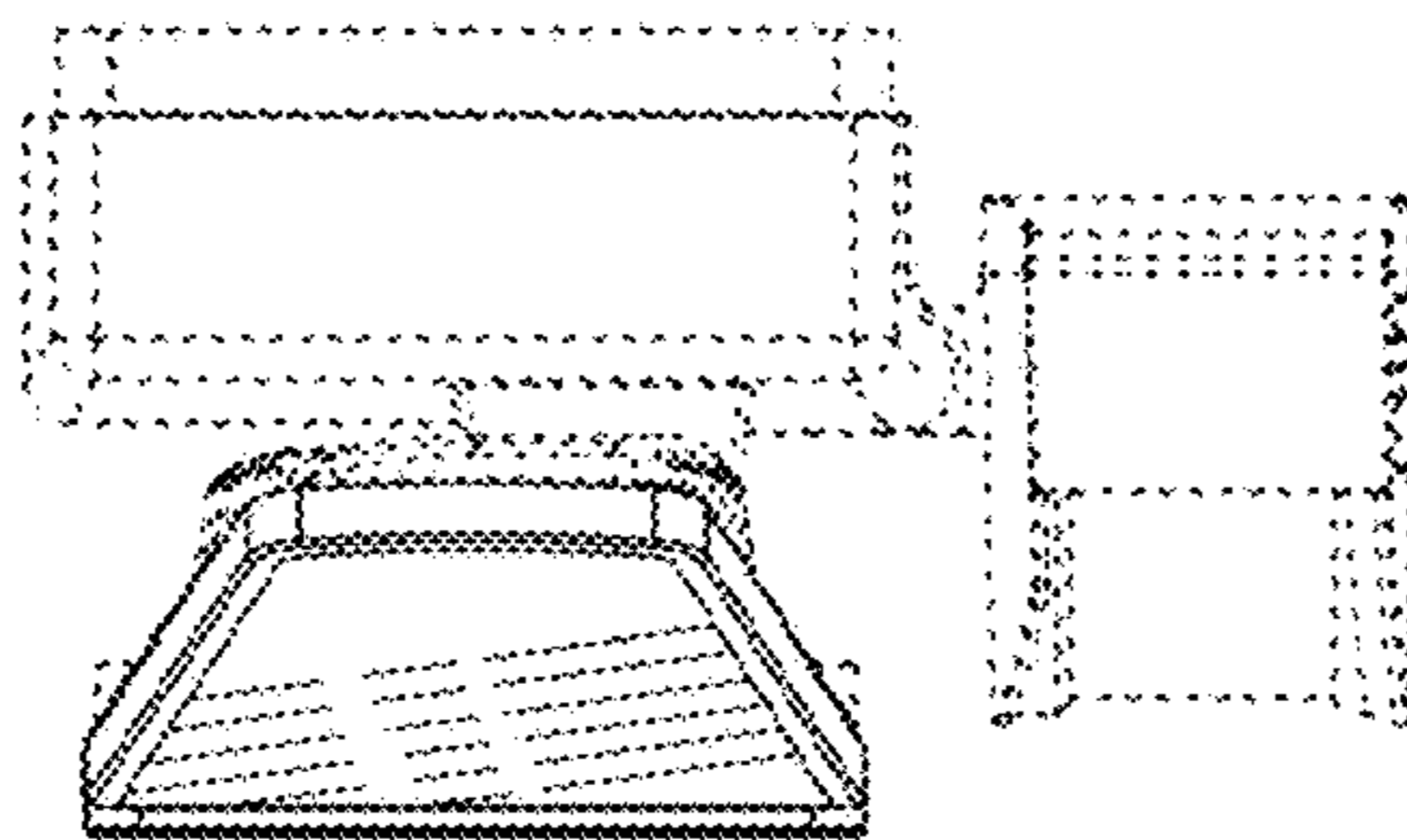


FIG. 11

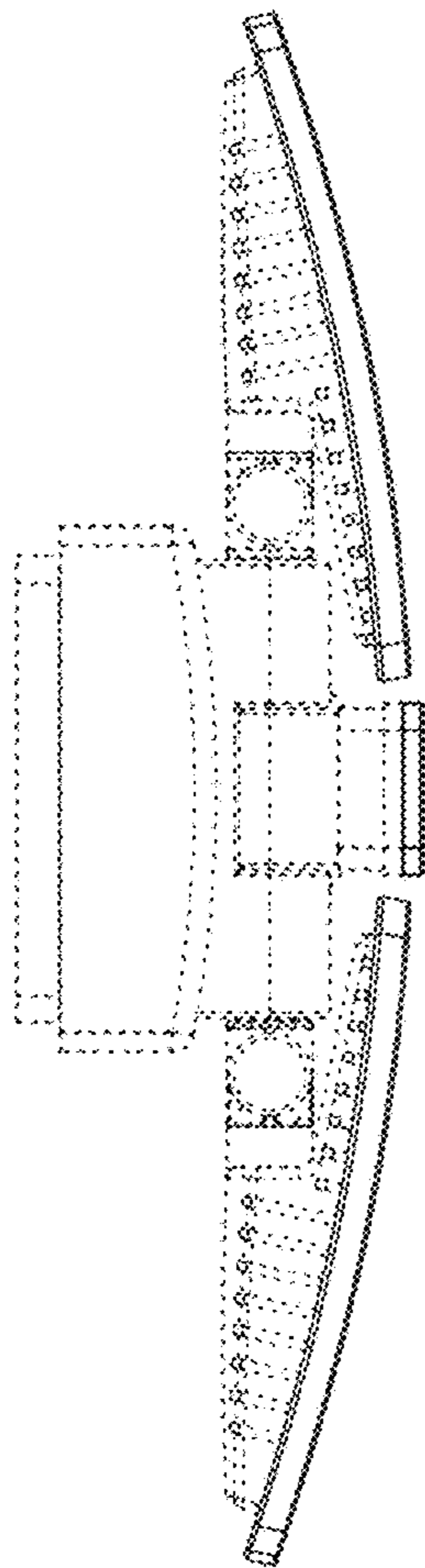


FIG. 13

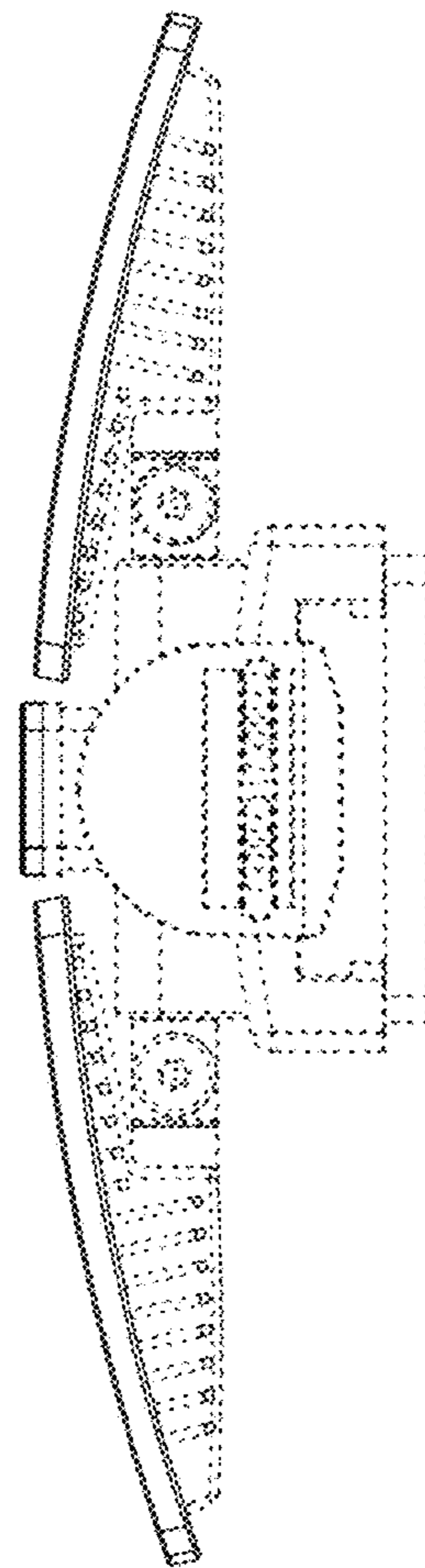


FIG. 14