

US00D866846S

(12) **United States Design Patent** (10) **Patent No.:** **US D866,846 S**
Cho et al. (45) **Date of Patent:** **** Nov. 12, 2019**

(54) **LIGHTING APPARATUS**

(71) Applicant: **FEELUX CO., LTD.**, Gyeonggi-do (KR)

(72) Inventors: **Bum Yeon Cho**, Seoul (KR); **Jun Jang**, Seoul (KR); **Jin Myeong Kim**, Seoul (KR)

(73) Assignee: **FEELUX CO., LTD.**, Gyeonggi-Do (KR)

(**) Term: **15 Years**

(21) Appl. No.: **29/625,429**

(22) Filed: **Nov. 9, 2017**

(51) **LOC (12) Cl.** **26-99**

(52) **U.S. Cl.**
USPC **D26/113**

(58) **Field of Classification Search**
USPC D26/24, 72, 75, 76, 113
CPC F21S 8/04; F21S 8/026; F21S 8/033; F21S 8/036; F21S 8/03; F21S 8/043; F21S 8/046; F21S 8/06; F21S 8/061; F21S 8/063; F21S 8/068; F21S 13/02; F21V 21/04; F21V 17/02; F21V 17/04; F21V 17/164

See application file for complete search history.

(56) **References Cited**

U.S. PATENT DOCUMENTS

D496,486 S *	9/2004	Kan	D26/60
D520,667 S *	5/2006	Jae-Sung	D26/25
D554,794 S *	11/2007	Tseng	D26/75
D556,359 S *	11/2007	Cunius	D26/75
D608,928 S *	1/2010	Noh	D26/76
D629,139 S *	12/2010	Cai	D26/72
D703,857 S *	4/2014	Soni	D26/75
D732,225 S *	6/2015	Grandsart	D26/75
D838,028 S *	1/2019	Lang	D26/76
D844,880 S *	4/2019	Zeng	D26/76

* cited by examiner

Primary Examiner — Zenia I Bennett

(74) *Attorney, Agent, or Firm* — The PL Law Group, PLLC

(57) **CLAIM**

The ornamental design for a lighting apparatus, as shown and described herein.

DESCRIPTION

FIG. 1 is a perspective view of a lighting apparatus according to the present invention.

FIG. 2 is a front view of the lighting apparatus shown in FIG. 1.

FIG. 3 is a rear view of the lighting apparatus shown in FIG. 1.

FIG. 4 is a left-side view of the lighting apparatus shown in FIG. 1.

FIG. 5 is a right-side view of the lighting apparatus shown in FIG. 1.

FIG. 6 is a top plan view of the lighting apparatus shown in FIG. 1.

FIG. 7 is a bottom view of the lighting apparatus shown in FIG. 1.

FIG. 8 is a perspective view of a bottom portion of the lighting apparatus according to the present invention.

FIG. 9 is an enlarged view of the left end portion of the lighting apparatus shown in FIG. 1.

FIG. 10 is an enlarged view of the left end portion of the lighting apparatus shown in FIG. 2.

FIG. 11 is an enlarged view of the right end portion of the lighting apparatus shown in FIG. 8.

FIG. 12 is a perspective view of the lighting apparatus showing a state in which a plug is extruded; and,

FIG. 13 is an enlarged view of the left end portion of the lighting apparatus shown in FIG. 12.

The broken lines illustrate portions of the lighting apparatus that form no part of the claimed design.

1 Claim, 11 Drawing Sheets

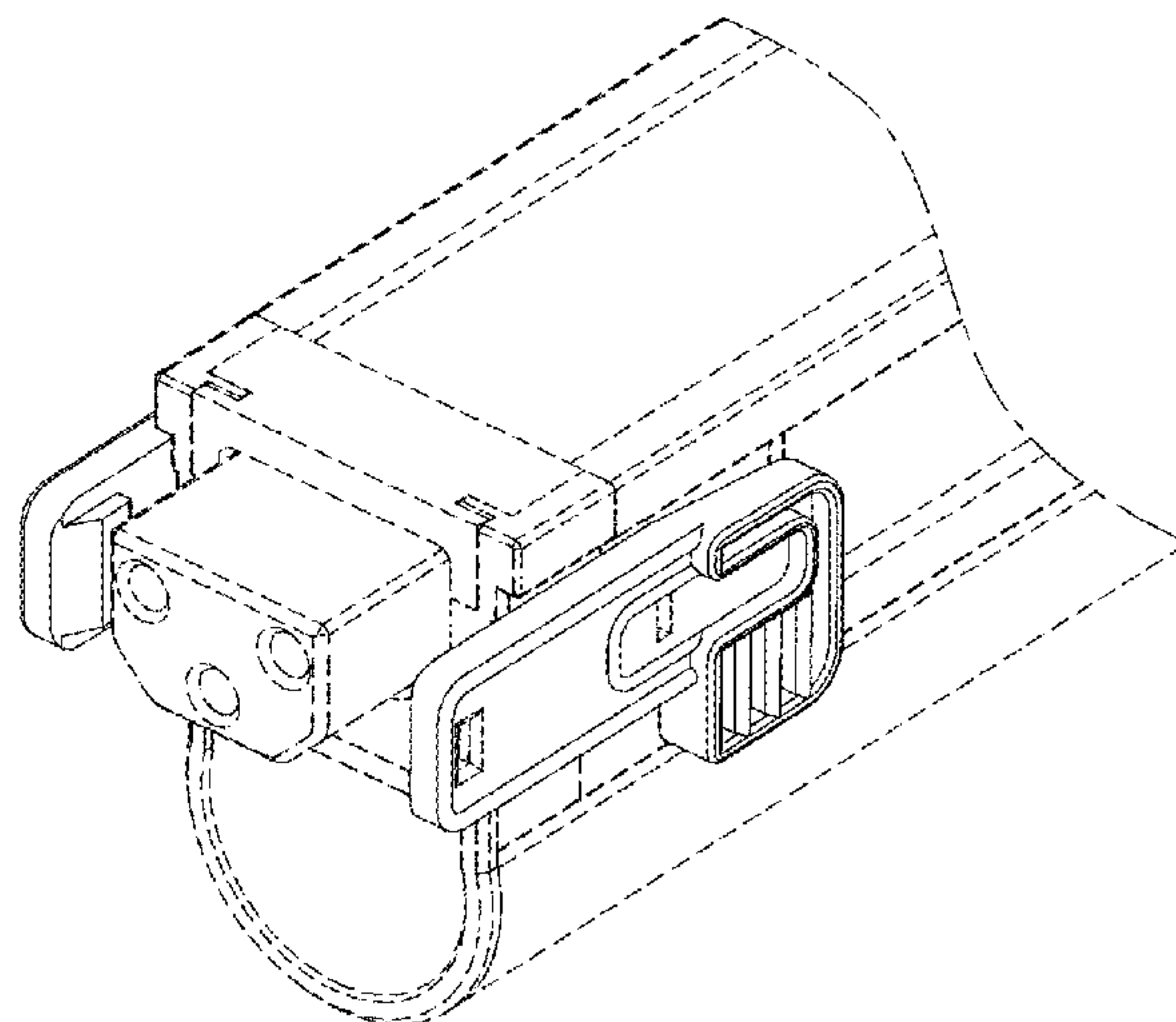


FIG. 1

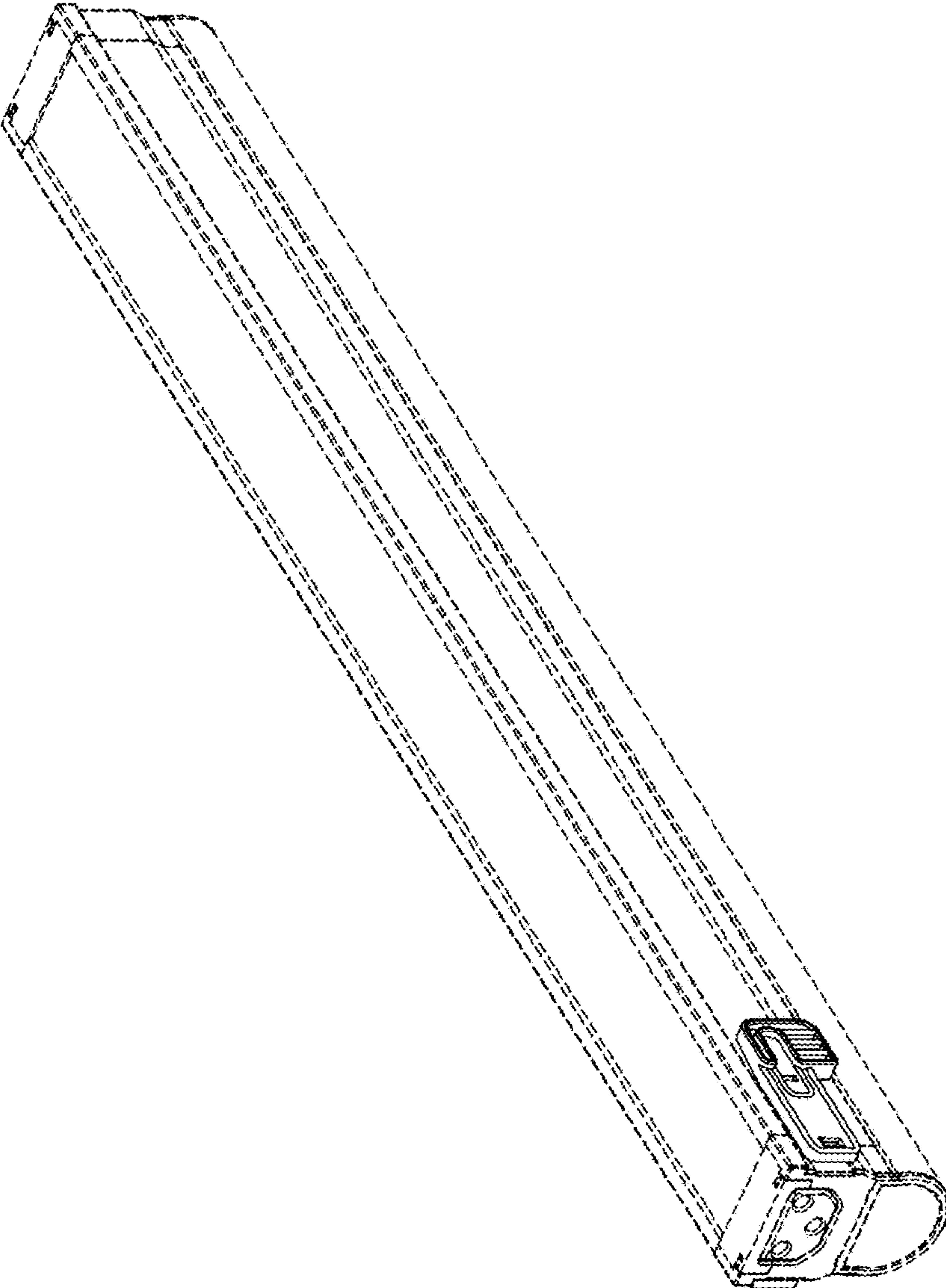


FIG. 2

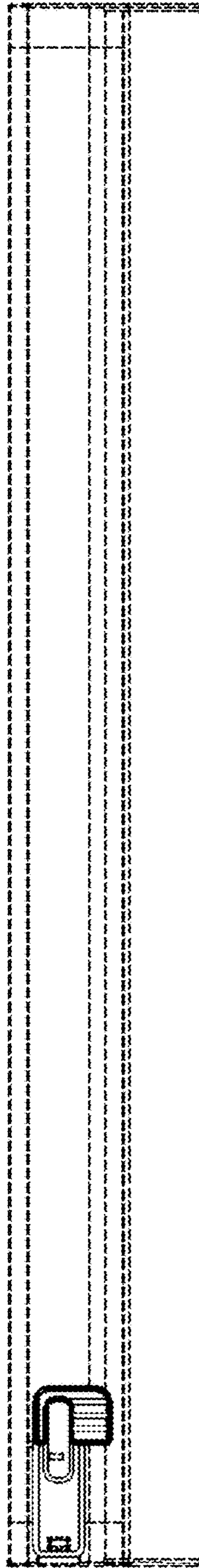


FIG. 3

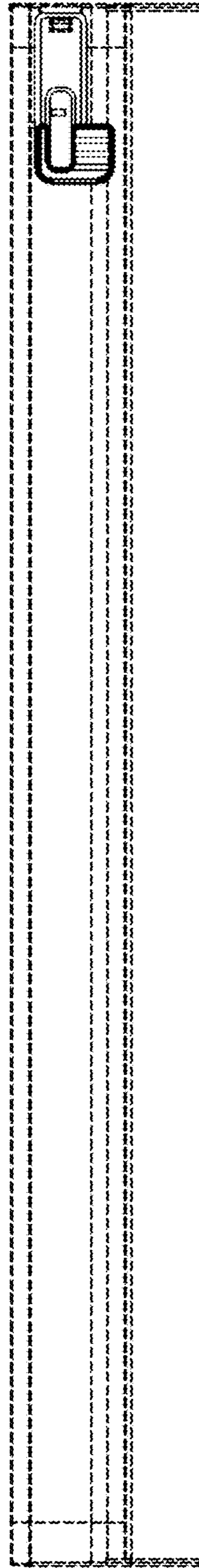


FIG. 4

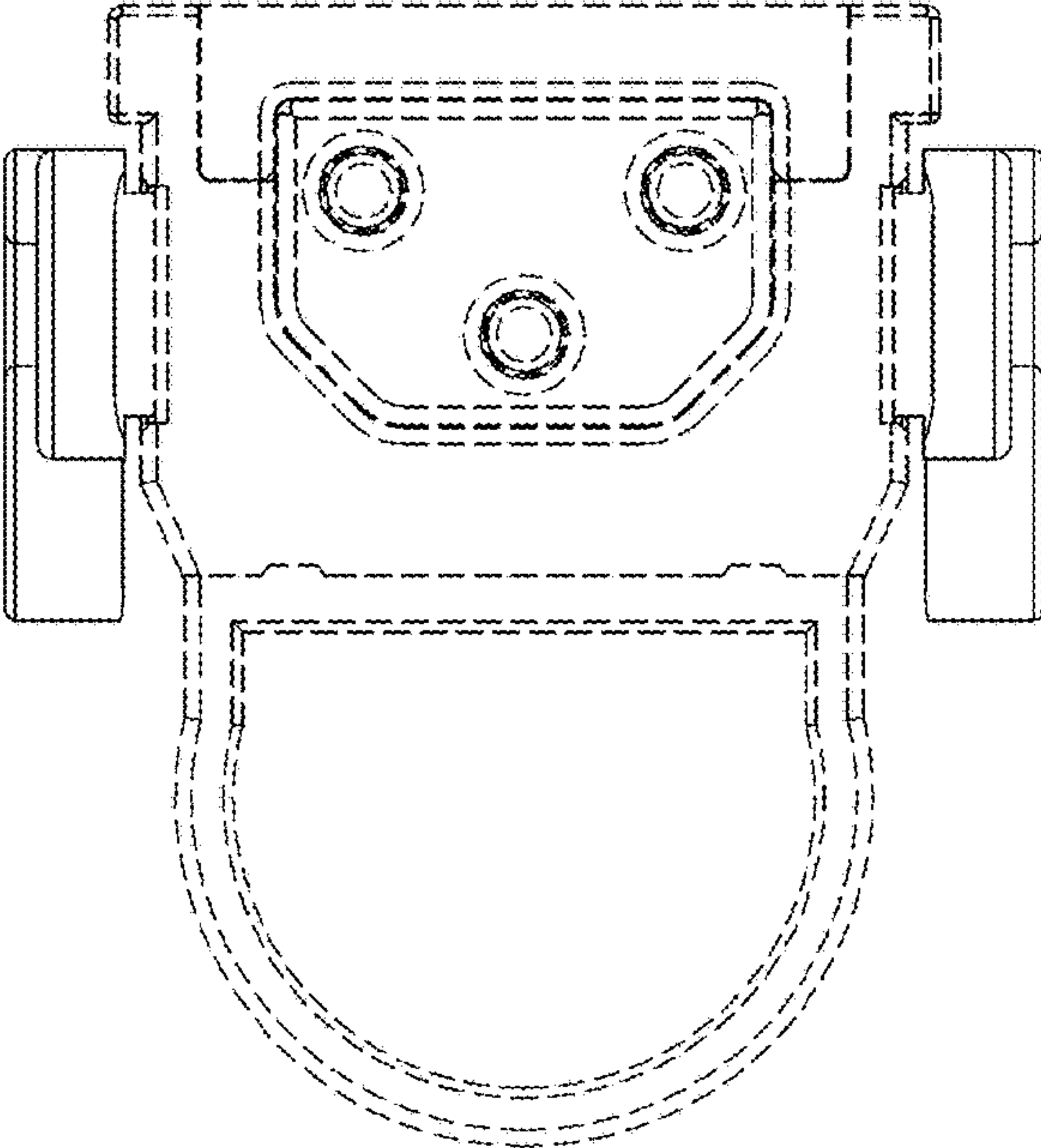


FIG. 5

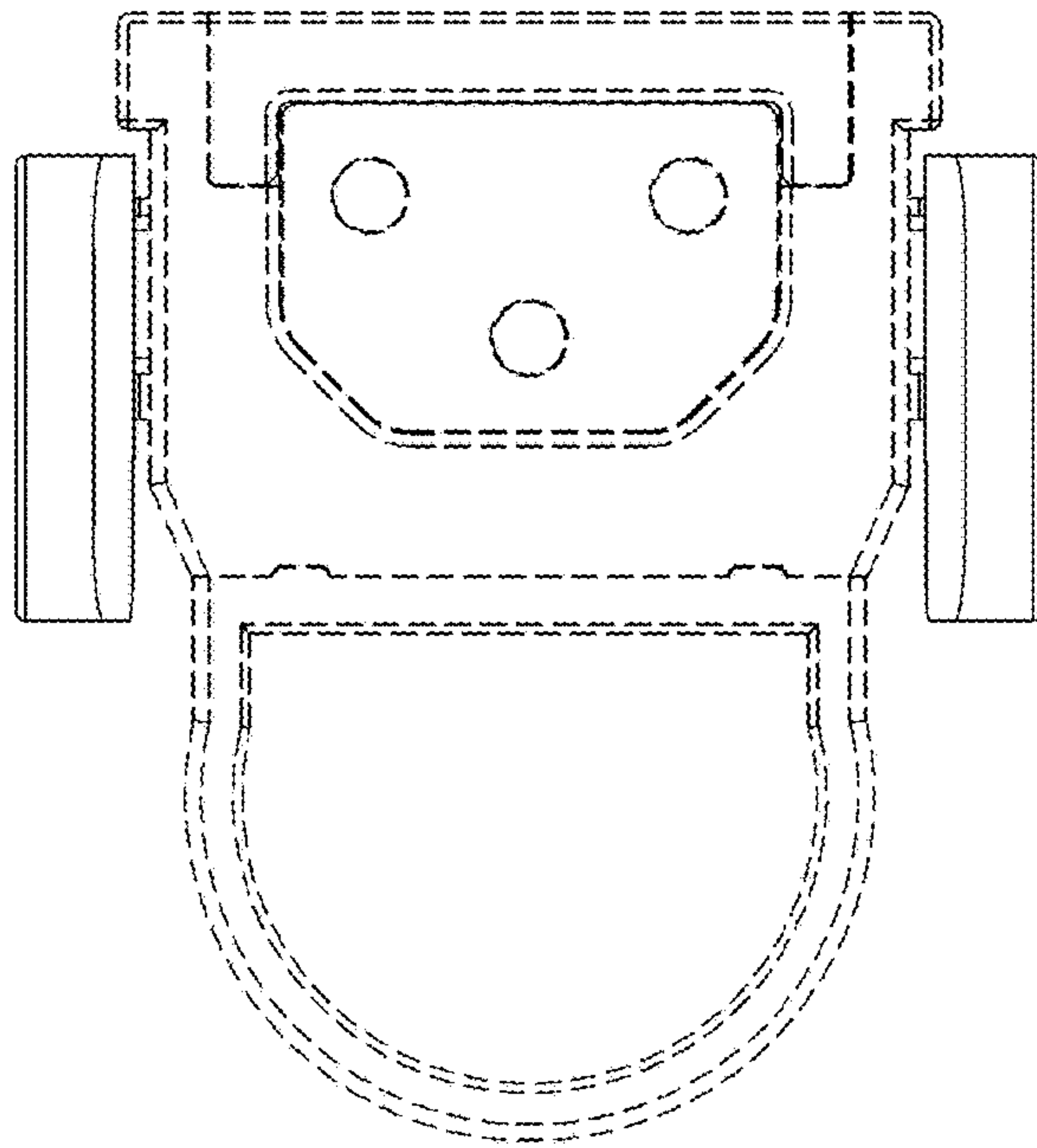


FIG. 6

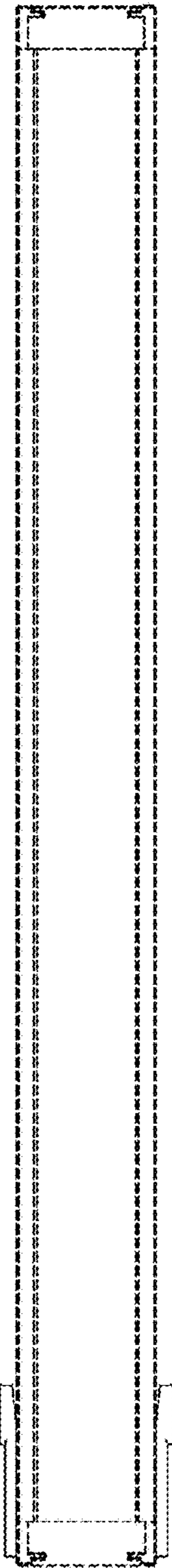


FIG. 7

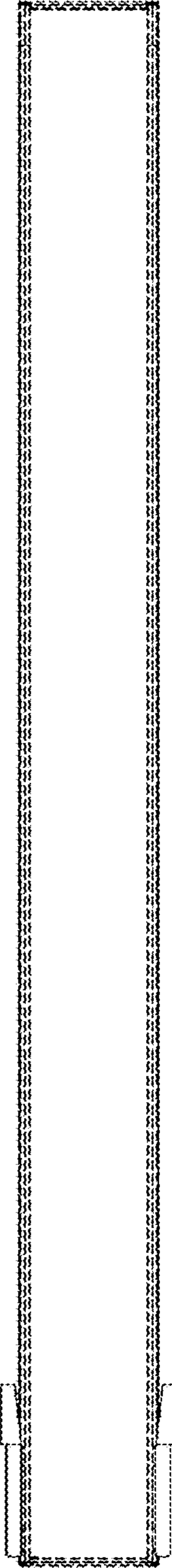


FIG. 8

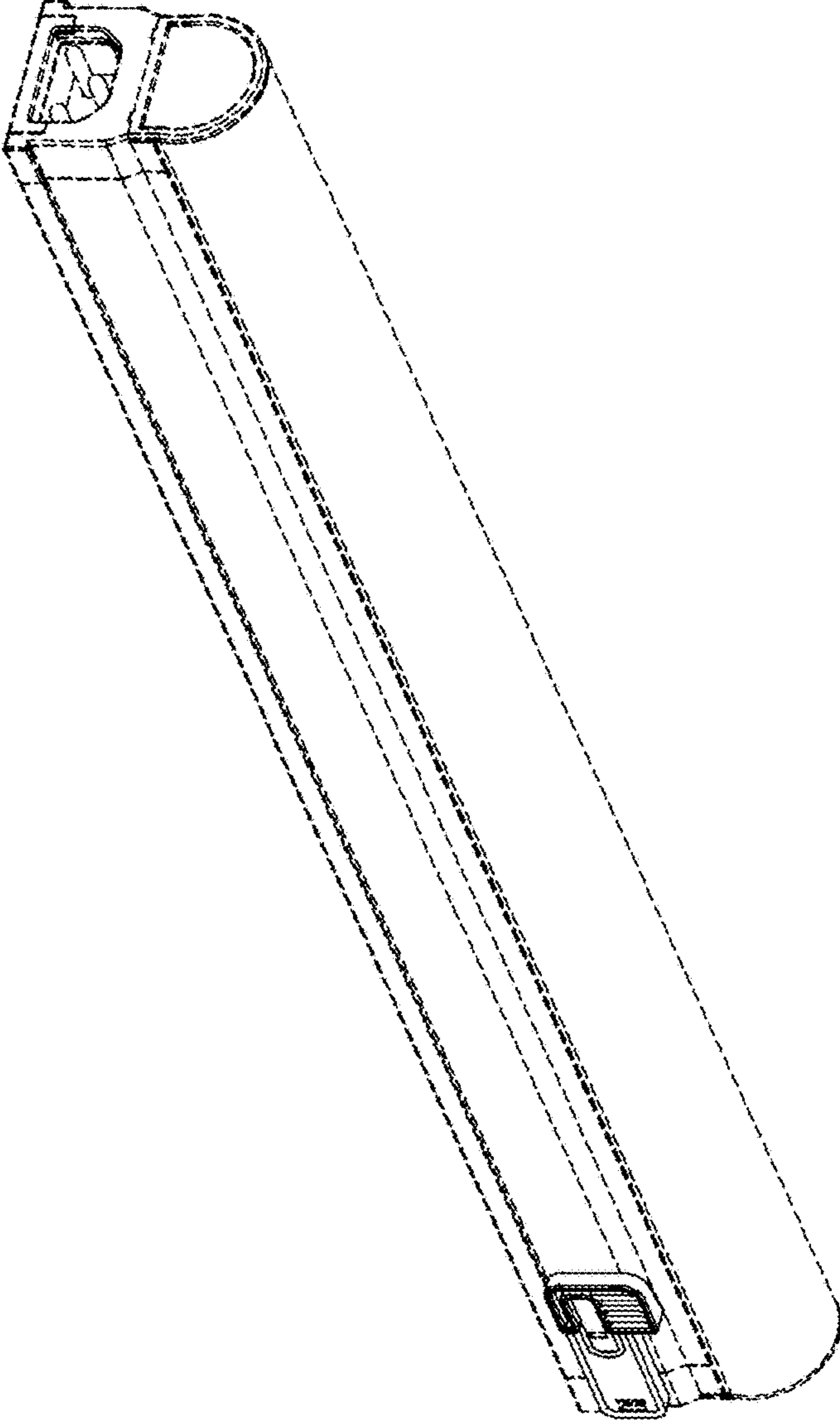


FIG. 9

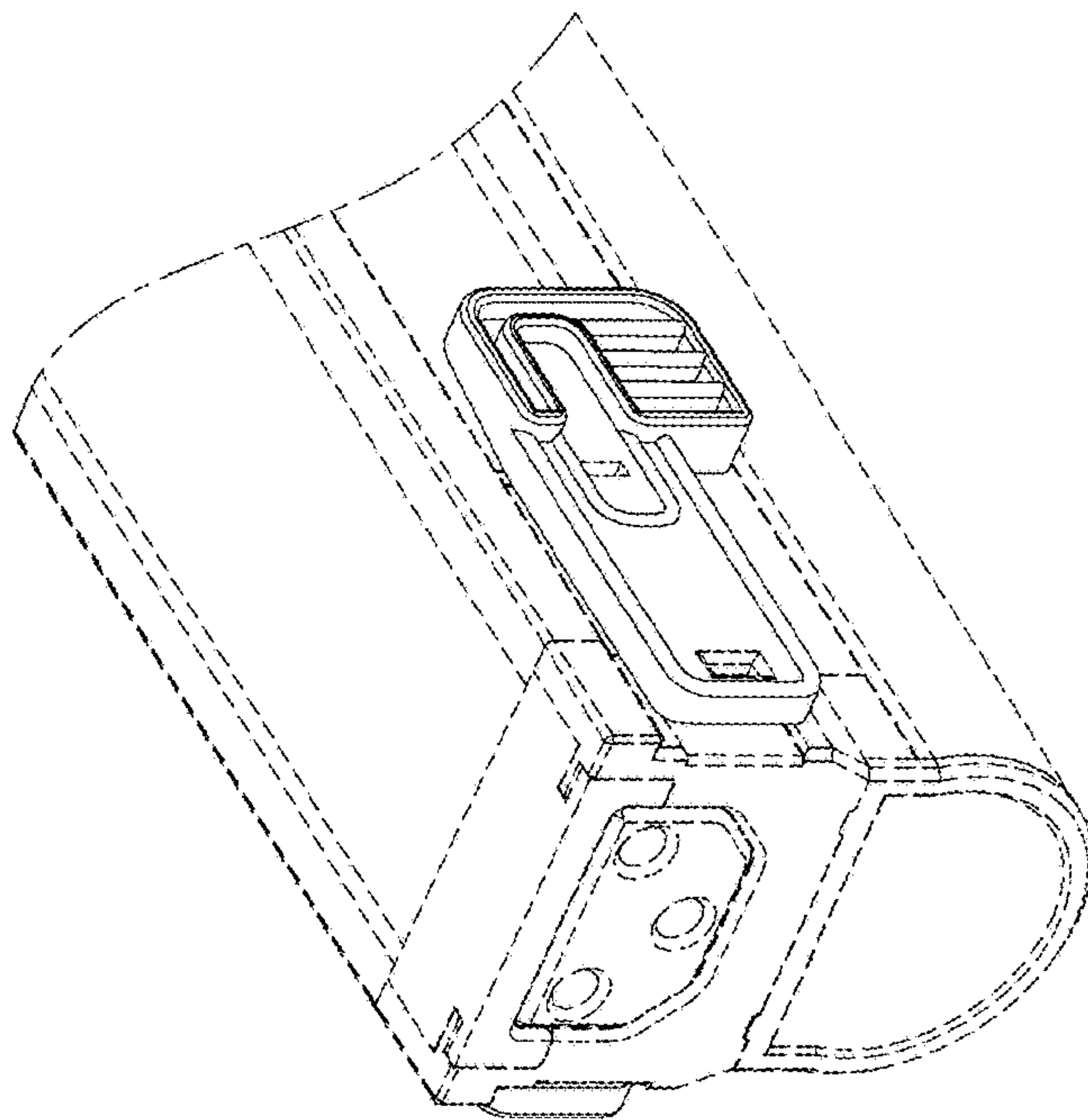


FIG. 10

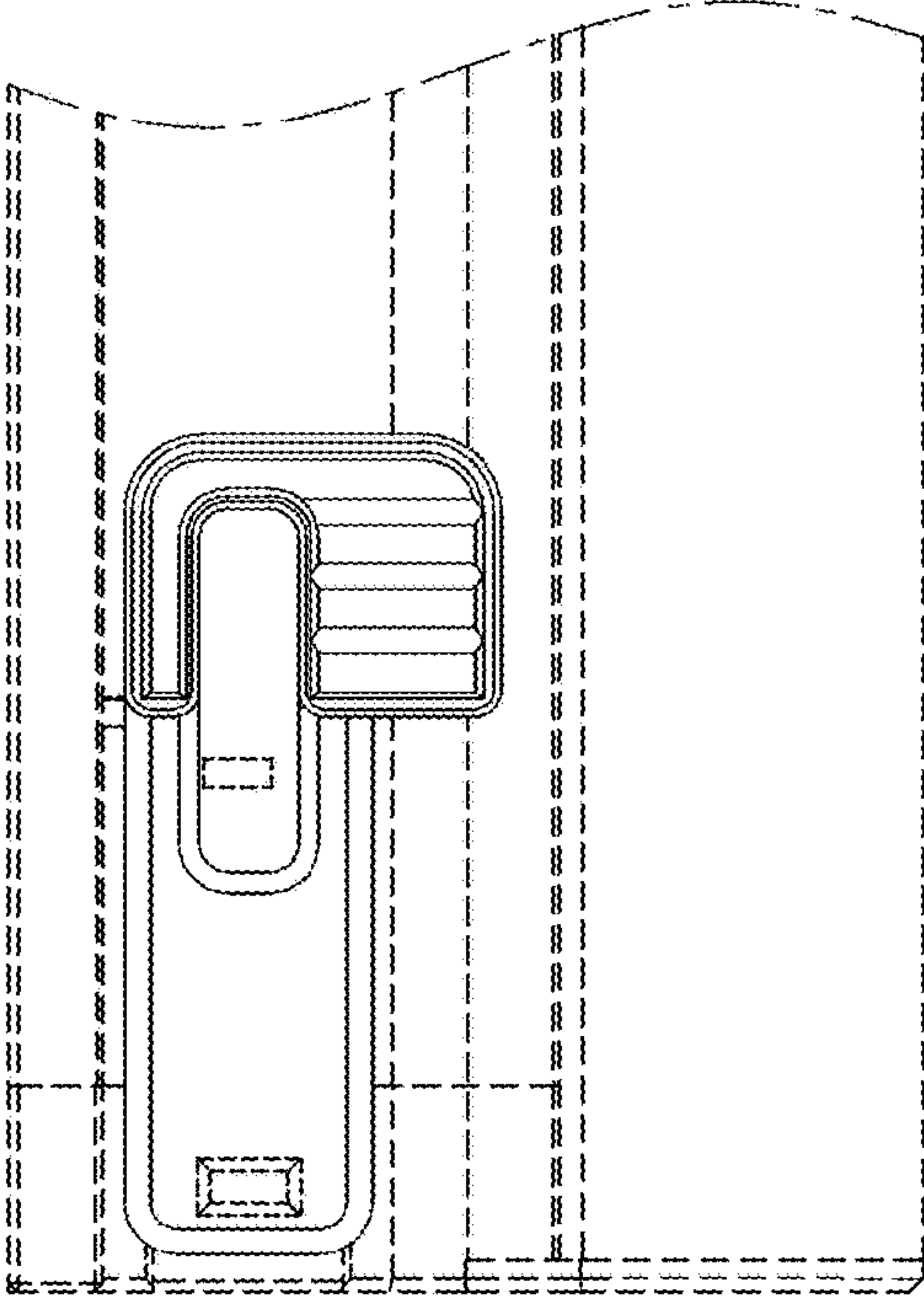


FIG. 11

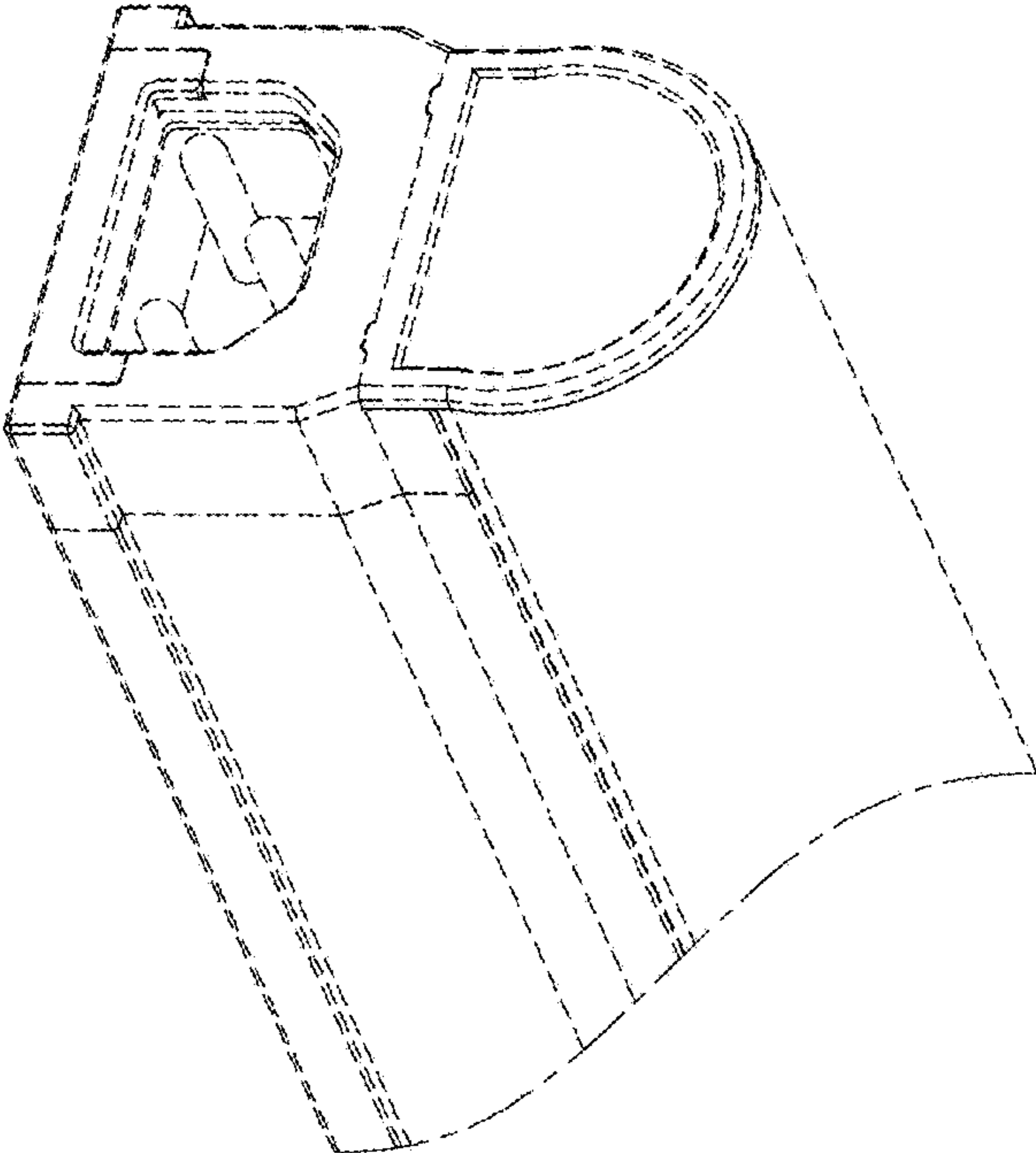


FIG. 12

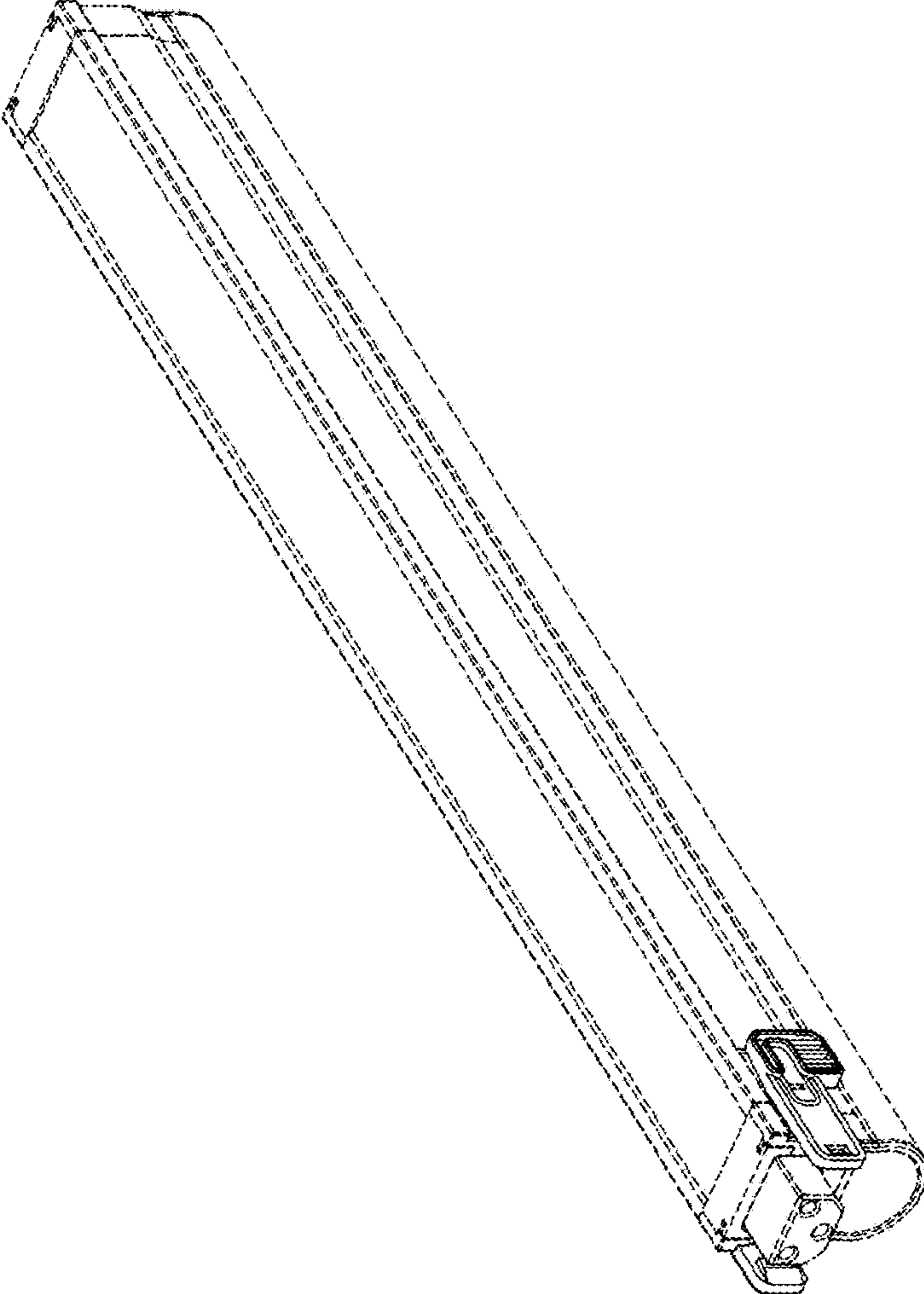


FIG. 13

