



US00D866844S

(12) **United States Design Patent** (10) **Patent No.:** **US D866,844 S**
Anastassiades (45) **Date of Patent:** **** Nov. 12, 2019**

(54) **SUSPENSION LAMP**
(71) Applicant: **FLOS S.P.A.**, Bovezzo (IT)
(72) Inventor: **Michael Anastassiades**, Brescia (IT)
(73) Assignee: **FLOS S.p.A.**, Bovezzo (IT)
(**) Term: **15 Years**
(21) Appl. No.: **35/504,243**
(22) Filed: **Sep. 20, 2017**
(80) **Hague Agreement Data**
Int. Filing Date: **Sep. 20, 2017**
Int. Reg. No.: **DM/098889**
Int. Reg. Date: **Sep. 20, 2017**
Int. Reg. Pub. Date: **Dec. 29, 2017**

(30) **Foreign Application Priority Data**
Mar. 22, 2017 (IT) 402017000031684
(51) **LOC (12) Cl.** **26-03**
(52) **U.S. Cl.**
USPC **D26/88**
CPC **F21V 5/02** (2013.01)
(58) **Field of Classification Search**
USPC D26/68-93
CPC ... F21V 5/008; F21V 5/02; F21V 7/04; F21V
7/041; F21V 7/043; F21V 7/045; F21V
7/046; F21V 7/048; F21V 7/05; F21V
7/06; F21V 7/07; F21V 7/08; F21V 7/09;
F21S 8/04; F21S 8/06; F21S 8/061; F21S
8/063; F21S 8/068
See application file for complete search history.

(56) **References Cited**
U.S. PATENT DOCUMENTS
D267,900 S * 2/1983 Ishii D26/83
D285,978 S * 9/1986 Rice D26/107

D292,525 S * 10/1987 Van Deelen D26/85
D309,792 S * 8/1990 Mangiarotti D26/85
D339,203 S * 9/1993 Namenye D26/85
D342,338 S * 12/1993 Thun D26/63
D390,680 S * 2/1998 Giese D26/63
D429,360 S * 8/2000 Chelf D26/86
D481,484 S * 10/2003 Cuevas D26/84
D503,241 S * 3/2005 Crosby D26/118
D541,970 S * 5/2007 Blackman D26/81
D544,131 S * 6/2007 Blackman D26/85
D548,387 S * 8/2007 McDowell D26/118
D558,379 S * 12/2007 Citterio D26/76
D563,589 S * 3/2008 Hariri D26/84
D565,779 S * 4/2008 Meise D26/84
D567,986 S * 4/2008 Meise D26/84
D575,440 S * 8/2008 Pelzl D26/88
D575,894 S * 8/2008 Lissoni D26/128
D605,329 S * 12/2009 Watt D26/118
D612,531 S * 3/2010 Smith D26/137
D613,449 S * 4/2010 Ngai D26/120

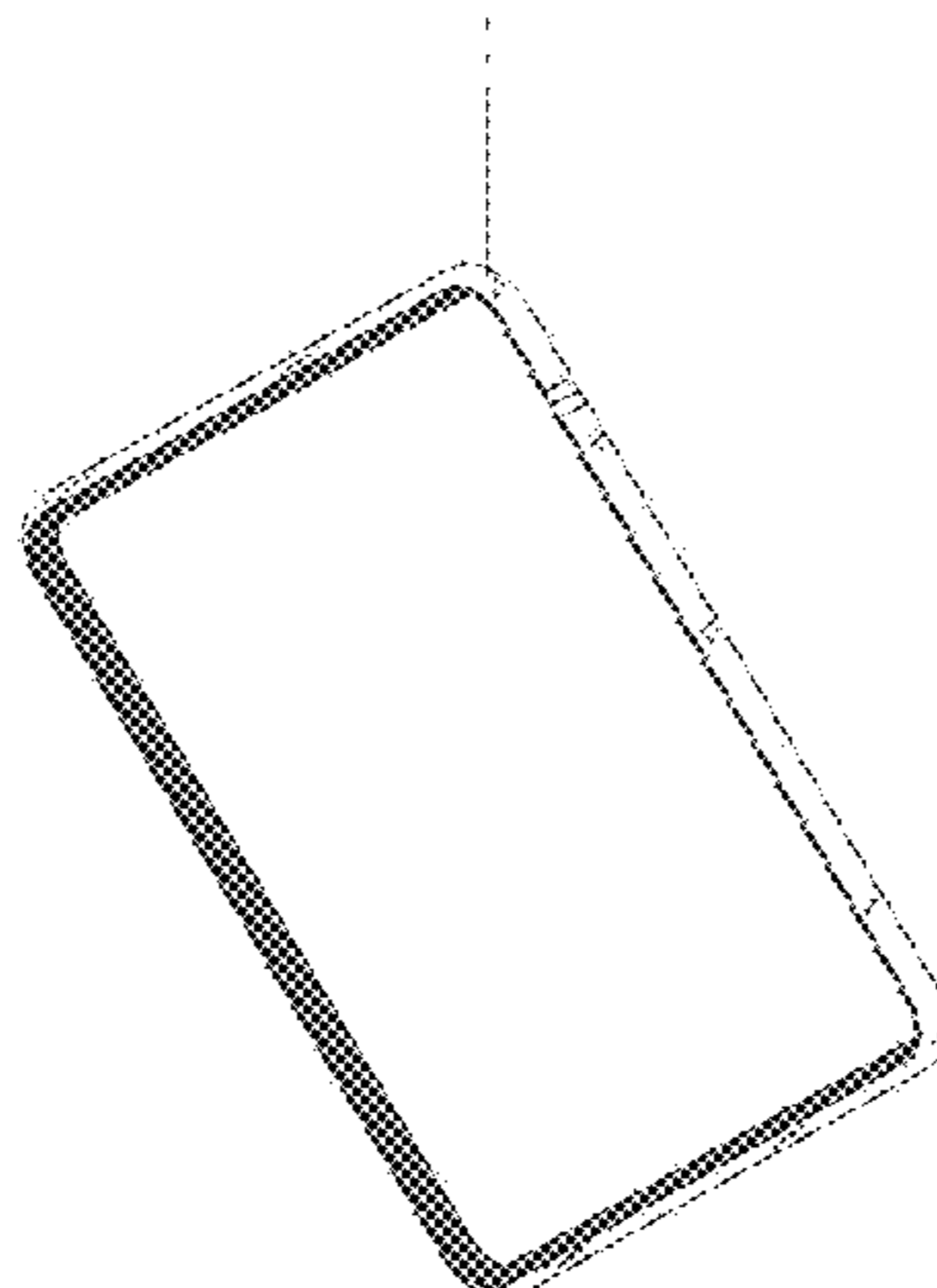
(Continued)

Primary Examiner — Richard E Chilcot
(74) *Attorney, Agent, or Firm* — Thomas|Horstemeyer,
LLP

(57) **CLAIM**
The ornamental design for a suspension lamp, as shown and described.

DESCRIPTION
1.1 is a perspective view of a suspension lamp, showing my new design;
1.2 is a side view thereof;
1.3 is a side view thereof, from a side opposite that of **1.2**;
1.4 is an end view thereof;
1.5 is an end view thereof, from an end opposite that of **1.4**;
1.6 is a top view thereof; and
1.7 is a bottom view thereof.
The suspension cable for the suspension lamp is shown with a symbolic break in length. The appearance of any portion of the cable between the break lines forms no part of the claimed design.

1 Claim, 7 Drawing Sheets



(56)

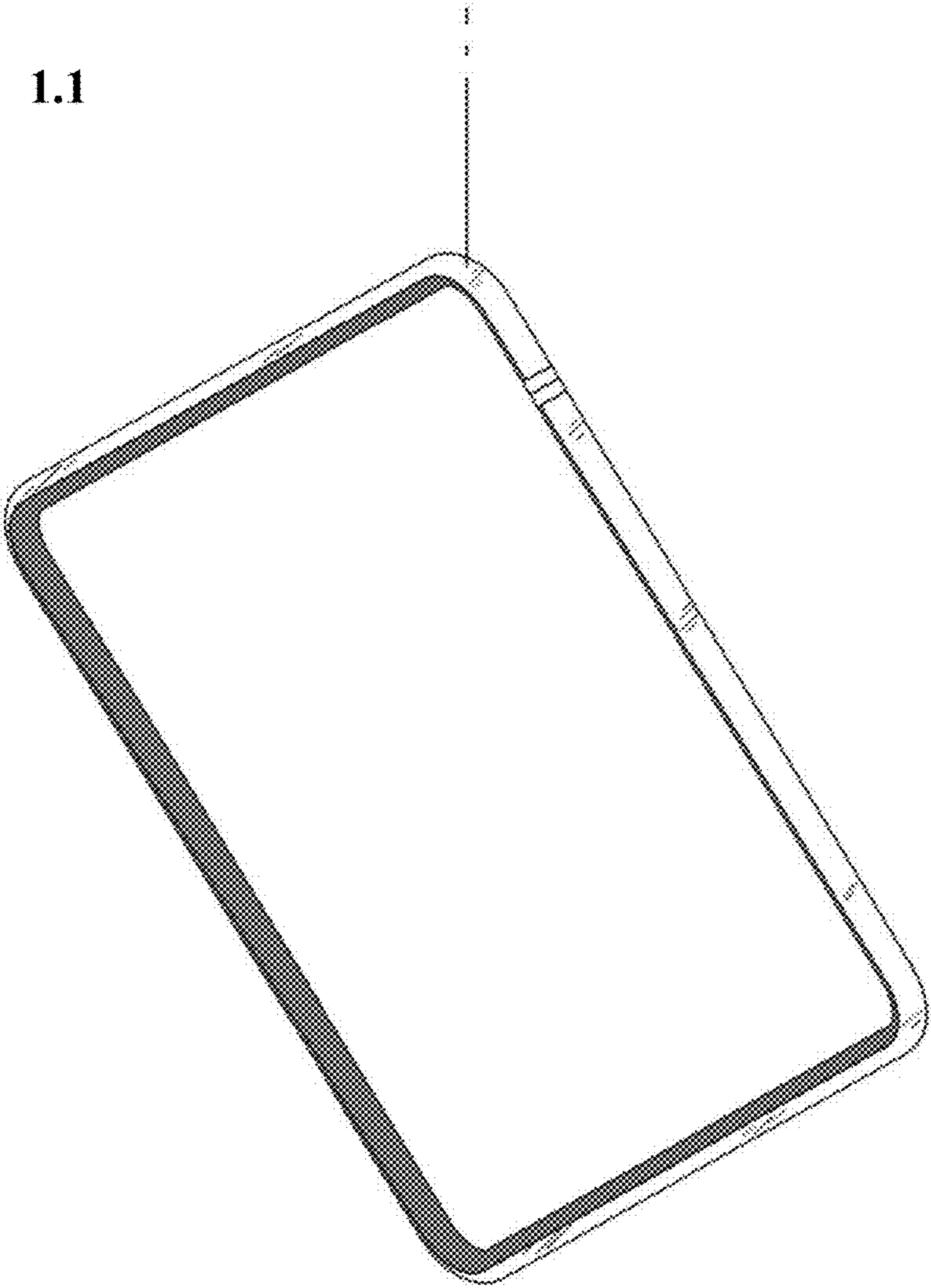
References Cited

U.S. PATENT DOCUMENTS

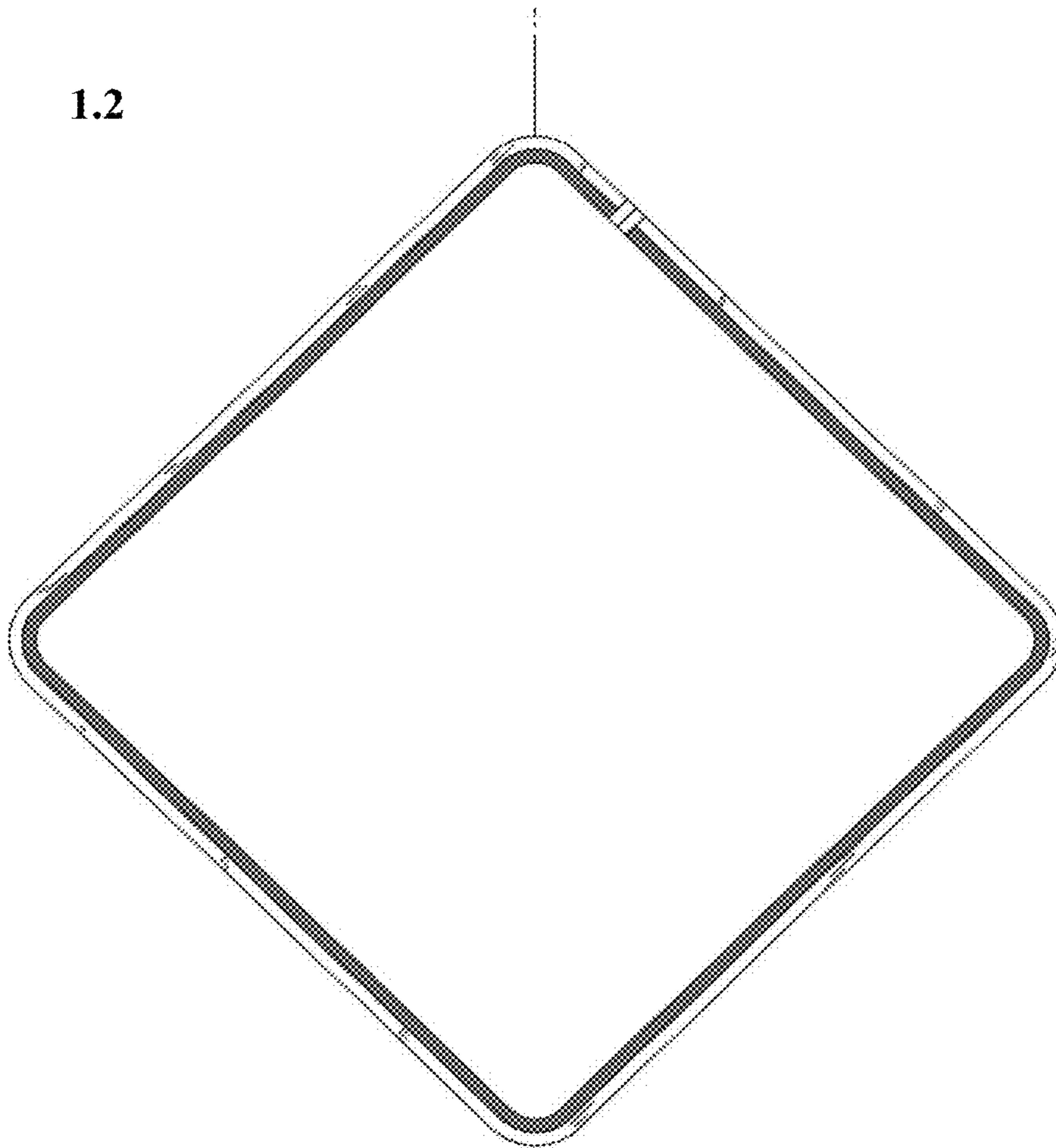
D617,935 S *	6/2010	Miletich	D26/76	D732,723 S *	6/2015	Anastassiades	D26/93
D620,180 S *	7/2010	Sabernig	D26/84	D734,527 S *	7/2015	Anastassiades	D26/93
D623,794 S *	9/2010	Ngai	D26/120	D738,563 S *	9/2015	Martins	D26/118
D623,795 S *	9/2010	Ngai	D26/120	D740,479 S *	10/2015	Beno	D26/118
D626,680 S *	11/2010	Verelst	D26/85	D751,235 S *	3/2016	Sonneman	D26/88
D635,709 S *	4/2011	Federico	D26/84	D754,909 S *	4/2016	Toft Hansen	D26/88
D636,521 S *	4/2011	Lovegrove	D26/88	D764,696 S *	8/2016	Compton	D26/85
D638,570 S *	5/2011	Verelst	D26/90	D764,697 S *	8/2016	Compton	D26/85
D641,910 S *	7/2011	Kong	D26/76	D764,698 S *	8/2016	Orellana	D26/85
D646,423 S *	10/2011	Chiu	D26/85	D769,507 S *	10/2016	Raasch	D26/88
D646,426 S *	10/2011	Wolk	D26/85	D774,682 S *	12/2016	Chen	D26/85
D654,208 S *	2/2012	Marquardt	D26/85	D780,978 S *	3/2017	Bouroullec	D26/88
D664,282 S *	7/2012	Santoro	D26/76	D780,979 S *	3/2017	Urquiola	D26/88
D684,294 S *	6/2013	Goodson	D26/118	D781,484 S *	3/2017	Urquiola	D26/85
D690,873 S *	10/2013	Meise	D26/88	D781,485 S *	3/2017	Bouroullec	D26/88
D695,445 S *	12/2013	Panchisin	D26/118	D791,386 S *	7/2017	Arndt	D26/88
D715,985 S *	10/2014	Anastassiades	D26/88	D793,131 S *	8/2017	Gazit	D6/681.1
D720,491 S *	12/2014	Anastassiades	D26/88	D799,099 S *	10/2017	Gismondi	D26/89
D724,251 S *	3/2015	Anastassiades	D26/93	D802,825 S *	11/2017	Michael	D26/93
D724,252 S *	3/2015	Anastassiades	D26/93	D805,239 S *	12/2017	Arndt	D26/88
D724,253 S *	3/2015	Anastassiades	D26/93	D806,930 S *	1/2018	Santoro	D26/90
D729,431 S *	5/2015	Miller	D26/88	D807,561 S *	1/2018	Ng	D26/88
D731,700 S *	6/2015	Santoro	D26/118	D815,332 S *	4/2018	Santoro	D26/90
D732,228 S *	6/2015	Anastassiades	D26/93	D815,333 S *	4/2018	Santoro	D26/90
D732,229 S *	6/2015	Anastassiades	D26/93	D818,627 S *	5/2018	Santoro	D26/90
D732,230 S *	6/2015	Anastassiades	D26/93	D824,080 S *	7/2018	Dietz	F21V 1/06 D26/102
D732,231 S *	6/2015	Anastassiades	D26/93	D828,606 S *	9/2018	Johnson	D26/80
				D829,958 S *	10/2018	Brennenstuhl	D26/88

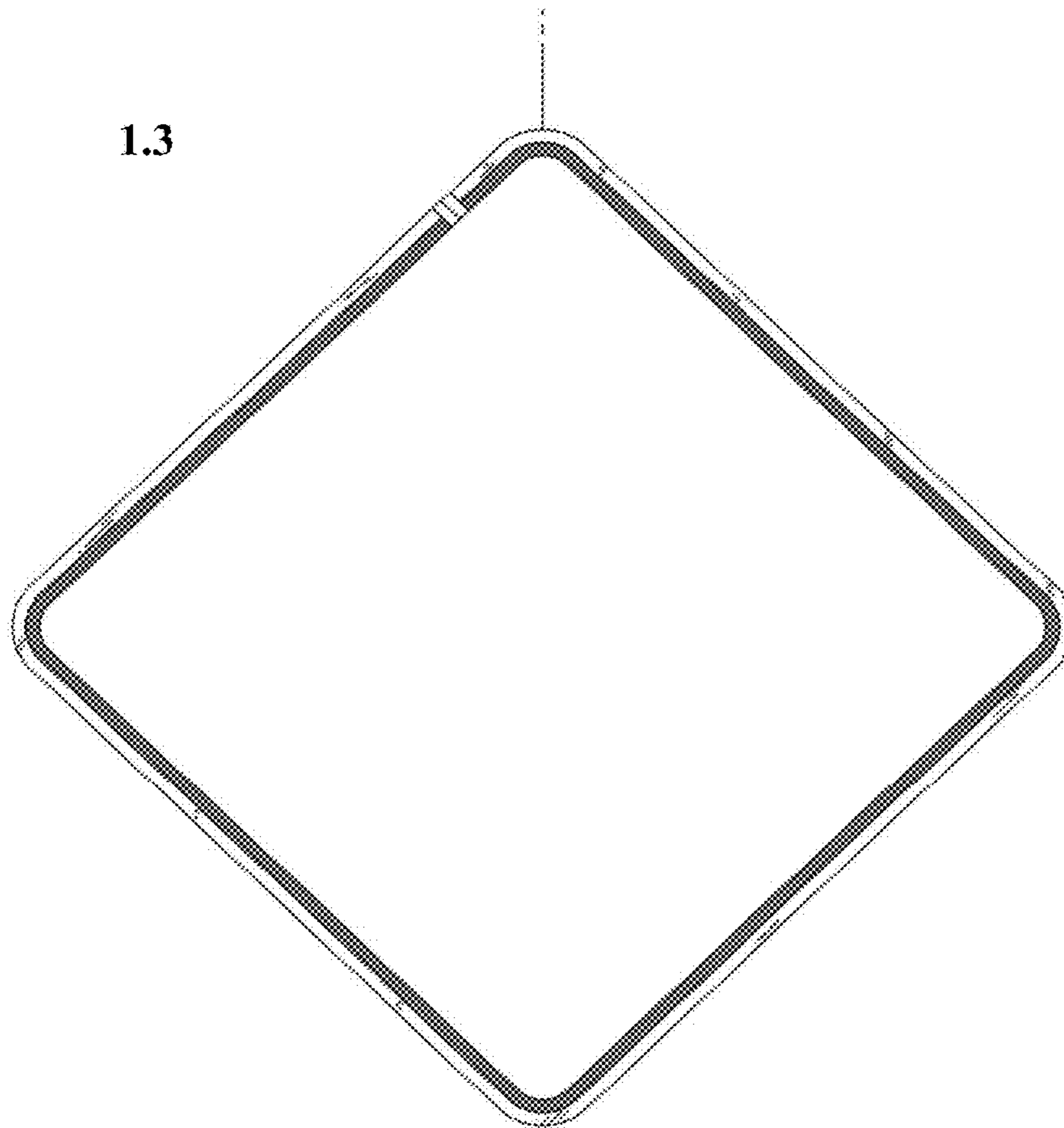
* cited by examiner

1.1



1.2

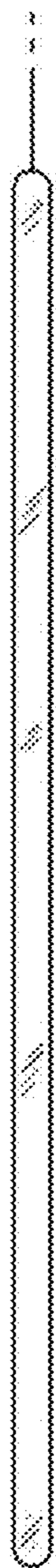




1.4



1.5



1.6



1.7

