



US00D866843S

(12) **United States Design Patent**
Benghozi et al.

(10) **Patent No.:** **US D866,843 S**

(45) **Date of Patent:** **** Nov. 12, 2019**

(54) **LIGHT FIXTURE**

(71) Applicant: **BAZZ INC.**, Ville Saint-Laurent (CA)

(72) Inventors: **Simon Benghozi**, Montreal (CA);
Sebastien Allen, St-Lazare (CA)

(73) Assignee: **BAZZ INC.**, Ville Saint-Laurent (CA)

(**) Term: **15 Years**

(21) Appl. No.: **29/610,870**

(22) Filed: **Jul. 17, 2017**

(51) **LOC (12) Cl.** **26-03**

(52) **U.S. Cl.**
USPC **D26/87**

(58) **Field of Classification Search**
USPC D26/85, 87, 92, 86, 89, 137
CPC F21S 8/03; F21S 8/033; F21S 8/035; F21S
8/036; F21S 8/037; F21S 8/04; F21S
13/02; F21V 21/02; F21W 2121/004;
F21W 2131/109
See application file for complete search history.

(56) **References Cited**

U.S. PATENT DOCUMENTS

D119,854 S *	4/1940	Gross	D26/24
D228,146 S *	8/1973	Schwartz	D26/82
D253,853 S	1/1980	Gerber		
4,317,164 A *	2/1982	Karaktin	F21S 8/08 362/147
D294,645 S *	3/1988	Ewing	D26/24
D316,303 S	4/1991	Layne		
D322,140 S *	12/1991	Dacanay	D10/111
5,246,285 A *	9/1993	Redburn	F21S 9/02 312/223.5
6,402,337 B1	6/2002	LeVasseur et al.		
D468,042 S	12/2002	Volpe		
D487,814 S *	3/2004	Hoernig	D26/82
D520,143 S *	5/2006	Yoneda	D24/209

D549,383 S *	8/2007	Duggan	D26/85
D554,790 S	11/2007	Graham et al.		
D558,381 S *	12/2007	Horn	D26/85
D574,539 S	8/2008	Sanoner		
D599,931 S	9/2009	Klinken		
D634,049 S *	3/2011	Wauters	D26/85
D646,426 S *	10/2011	Wolk	D26/85
D671,666 S	11/2012	Chen		
D703,359 S	4/2014	Thomas et al.		
D731,694 S *	6/2015	Tomlinson	D26/128
D742,576 S *	11/2015	Blum	D26/87
D760,939 S *	7/2016	Hoang	D26/85
D766,483 S	9/2016	Khubani et al.		
D777,963 S	1/2017	Helms		
D812,280 S	3/2018	Lechtenberg		
D827,898 S	9/2018	Li		
D827,899 S	9/2018	Li		

(Continued)

OTHER PUBLICATIONS

Comi Spot Light IP65 B3A-B0106 from COMI Landscape Lighting
©2018 (Year: 2018).

(Continued)

Primary Examiner — Clare E Heflin

(74) *Attorney, Agent, or Firm* — Gonzalo Lavin

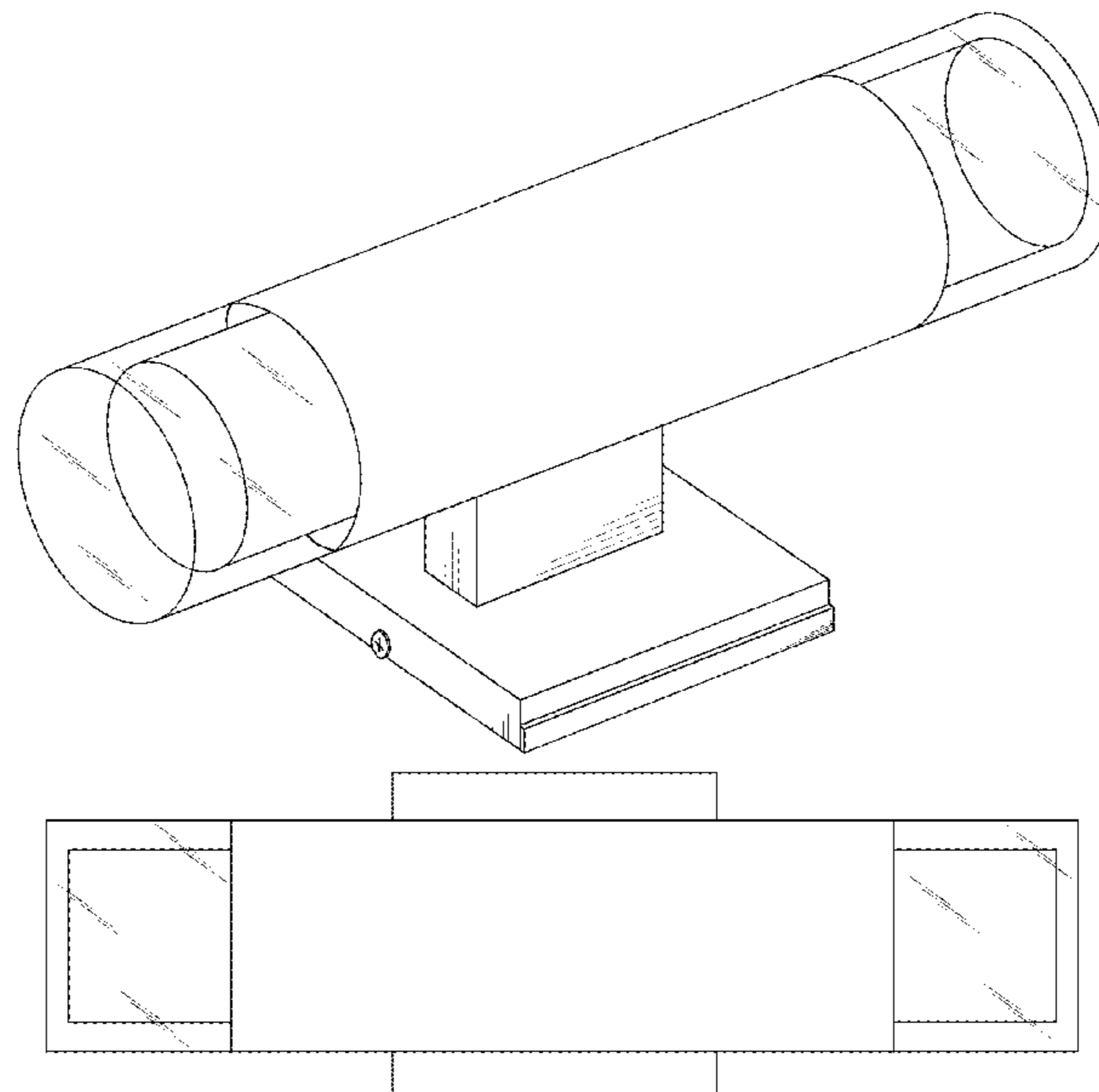
(57) **CLAIM**

The ornamental design for a light fixture, as shown and described.

DESCRIPTION

FIG. 1 is a top, front perspective view of the light fixture according to the new design;
FIG. 2 is a left side view of the light fixture of FIG. 1;
FIG. 3 is a right side view of the light fixture of FIG. 1;
FIG. 4 is a top view of the light fixture of FIG. 1; and,
FIG. 5 is a rear view of the light fixture of FIG. 1.
All surfaces not shown form no part of the claimed design.

1 Claim, 5 Drawing Sheets



(56)

References Cited

U.S. PATENT DOCUMENTS

D833,056 S * 11/2018 Sonneman D26/86
D848,653 S 5/2019 Gines
D851,312 S 6/2019 Hwa et al.
2004/0156189 A1 8/2004 Opolka
2012/0287610 A1 11/2012 Krogman
2017/0167695 A1 6/2017 Erdener
2017/0198887 A1 7/2017 Veloskey et al.
2019/0101265 A1 4/2019 Steele

OTHER PUBLICATIONS

Intermatic CL635R Malibu Low Voltage Metal Capped 20-Watt Landscape Bollard Light, available at amazon.com as early as Jun. 30, 2006 (Year: 2006).

LED outdoor spotlight Anton with ground spike from lights.ie, visited Jul. 19, 2019 (Year: 2019).

SUNWIND LED Solar Pathway Lights—6 Pack Silver Stainless Steel Solar Landscape Lights Garden Outdoor Bollard Decorative Lighting for Path/Yard/Garden/Patio/Lawn/Home. Available at amazon.com as early as Oct. 22, 2018 Year: (2018).

* cited by examiner

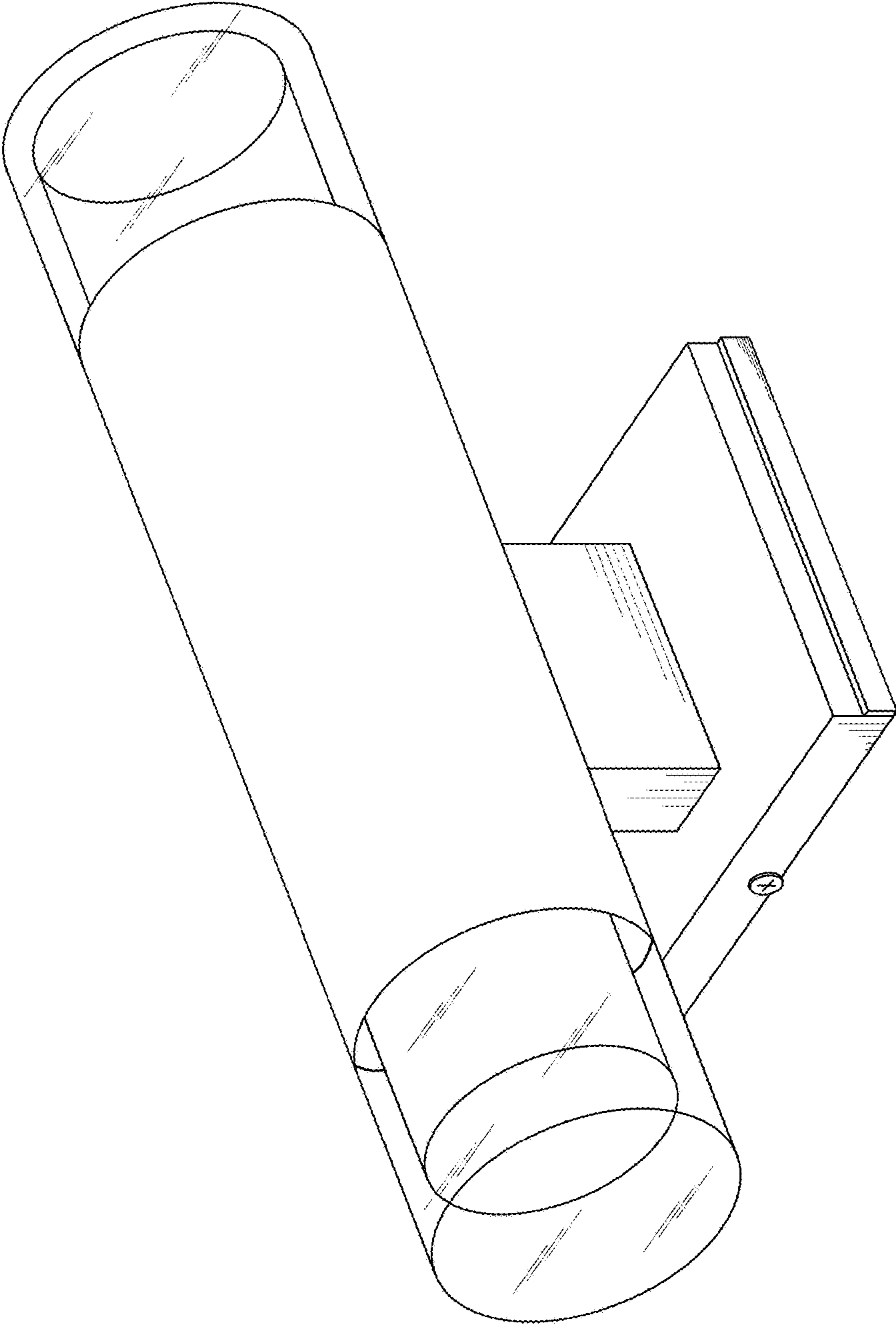


FIG. 1

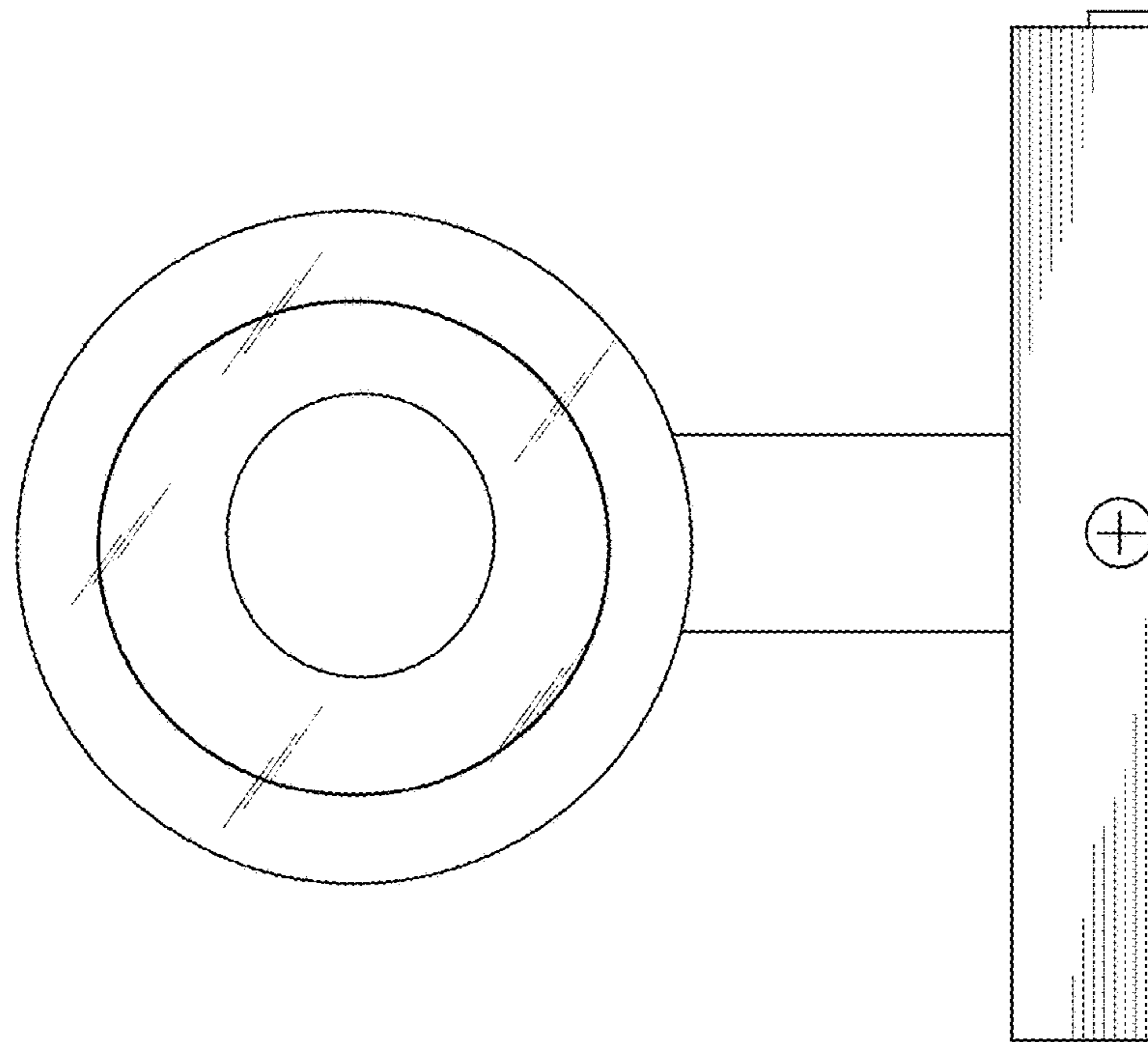


FIG. 2

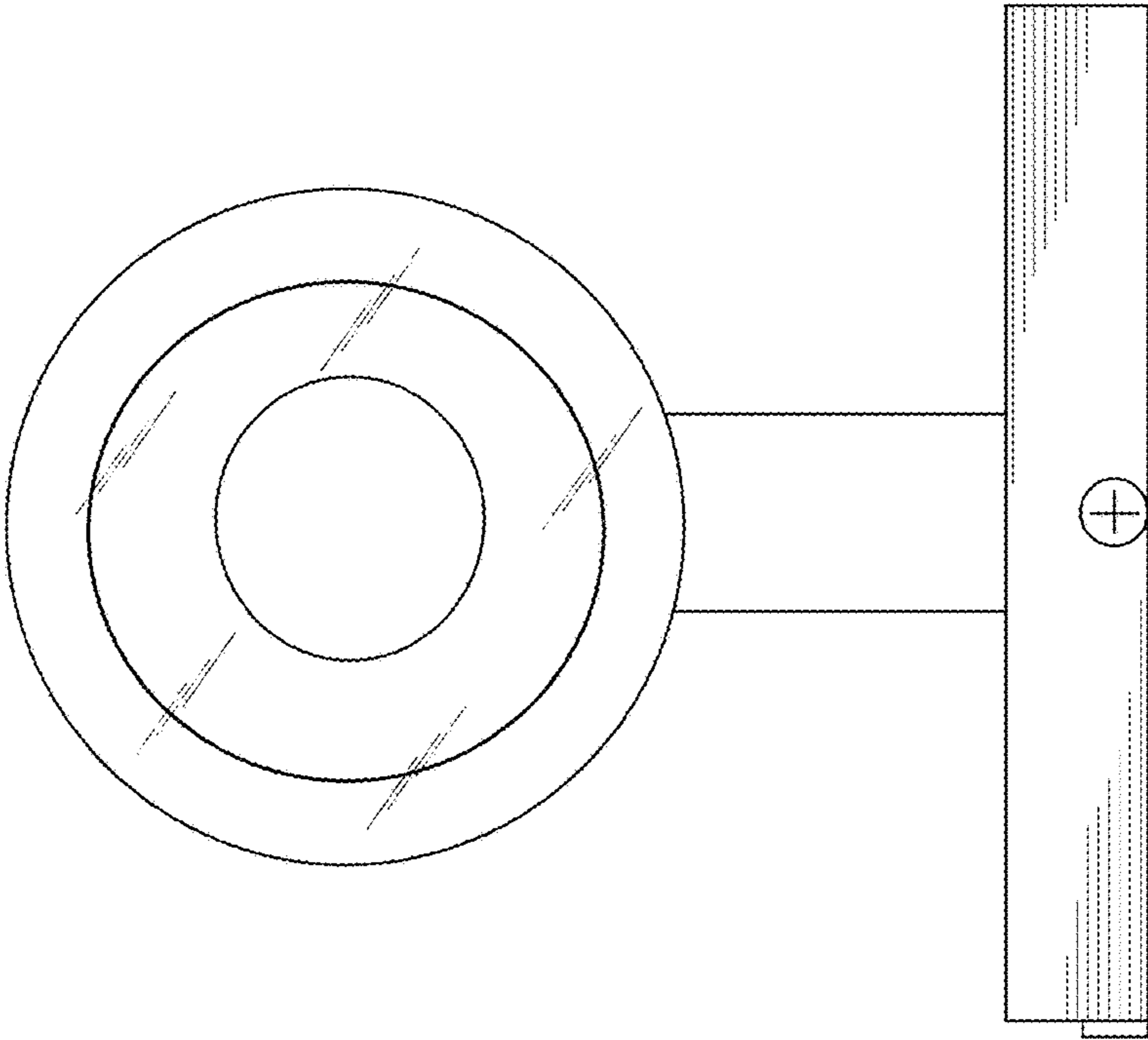


FIG. 3

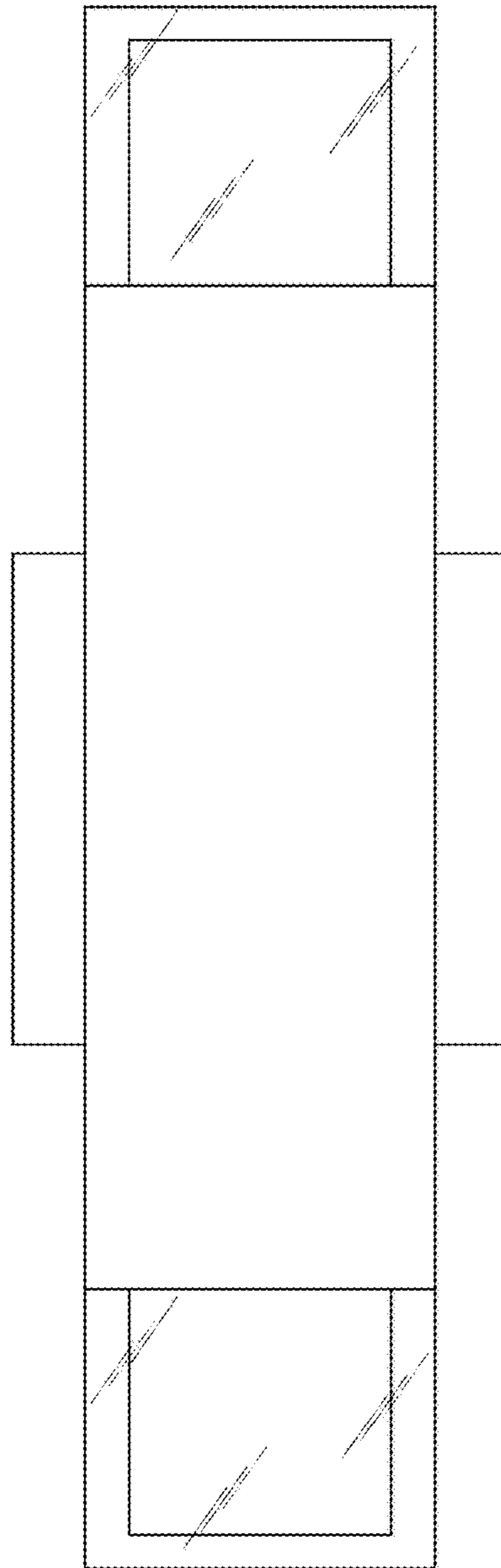


FIG. 4

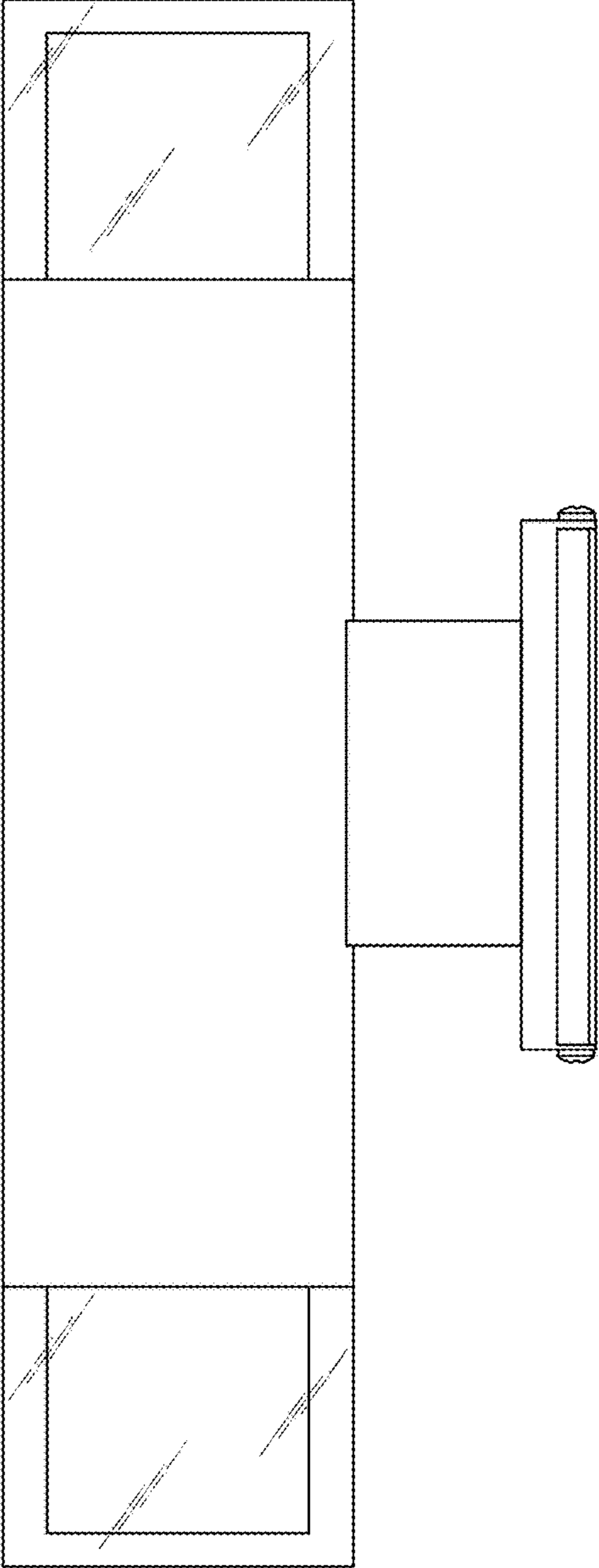


FIG. 5