



US00D866842S

(12) **United States Design Patent**
Wang

(10) **Patent No.:** **US D866,842 S**

(45) **Date of Patent:** **** Nov. 12, 2019**

(54) **LIGHTING FIXTURE**

(71) Applicant: **Hua Wang**, Xi'an (CN)

(72) Inventor: **Hua Wang**, Xi'an (CN)

(**) Term: **15 Years**

(21) Appl. No.: **29/653,756**

(22) Filed: **Jun. 18, 2018**

(51) **LOC (12) Cl.** **26-03**

(52) **U.S. Cl.**
USPC **D26/85**

(58) **Field of Classification Search**

USPC D26/72, 80, 85, 89; D10/106.6, 106.8

CPC F21S 8/03; F21S 8/033; F21S 8/036; F21S

8/037; F21S 9/022; F21S 9/024; F21S

9/03; F21S 9/035; F21S 9/037; F21W

2131/107; G08B 13/193

See application file for complete search history.

(56) **References Cited**

U.S. PATENT DOCUMENTS

4,015,163 A * 3/1977 Iacobelli F21S 8/033
312/238

D284,109 S * 6/1986 Seal, Jr. D26/24

D380,572 S * 7/1997 Bodell D26/85

D445,709 S * 7/2001 Falk D10/106.6

D816,259 S * 4/2018 Liu D26/85

D822,874 S * 7/2018 Hu D26/85

D829,359 S * 9/2018 Zhang D26/85

D844,213 S * 3/2019 Liu D26/85

D848,658 S * 5/2019 Tan D26/85

D849,988 S * 5/2019 Li D26/85

2017/0321877 A1 * 11/2017 Polidoro F21S 8/033

OTHER PUBLICATIONS

100 LED Solar Lights Outdoor, Waterproof Motion Sensor Solar
Wall Lights, Super Bright Wireless Solar Powered Security Light

with Wide Angle Illumination for Wall, Driveway, Patio, Garden, 2
Pack by Avaspot. Available at amazon.com Apr. 3, 2019. (Year :
2019).*

Solar Lights Outdoor, 100 LED Solar Lights, 270° Wider Angle,
120° & 17Ft RIP Motion Sensor light, IP65 Waterproof, Security
Night Light for Pathway, Garage, Garden, Patio, Deck, Fence, Yard,
2 Pack by NUUR. Available at amazon.com Jan. 21, 2019. (Year:
2019).*

Solar Motion Sensor/Stay on Light Outdoor 2 Pack, Durable IP67
Waterproof 32 LED Night Light with 270° Wide Angle, Easy to
Install Solar Powered Security Lights for Door, Pathway, Garage,
Garden by Panicky. Available at amazon.com Apr. 11, 2019. (Year:
2019).*

* cited by examiner

Primary Examiner — Clare E Heflin

(74) *Attorney, Agent, or Firm* — Che-Yang Chen; Law
Offices of Scott Warmuth

(57) **CLAIM**

The ornamental design for a lighting fixture, as shown and
described.

DESCRIPTION

FIG. 1 is a perspective view of the lighting fixture showing
my new design;

FIG. 2 is a front elevational view thereof;

FIG. 3 is a rear elevational view thereof;

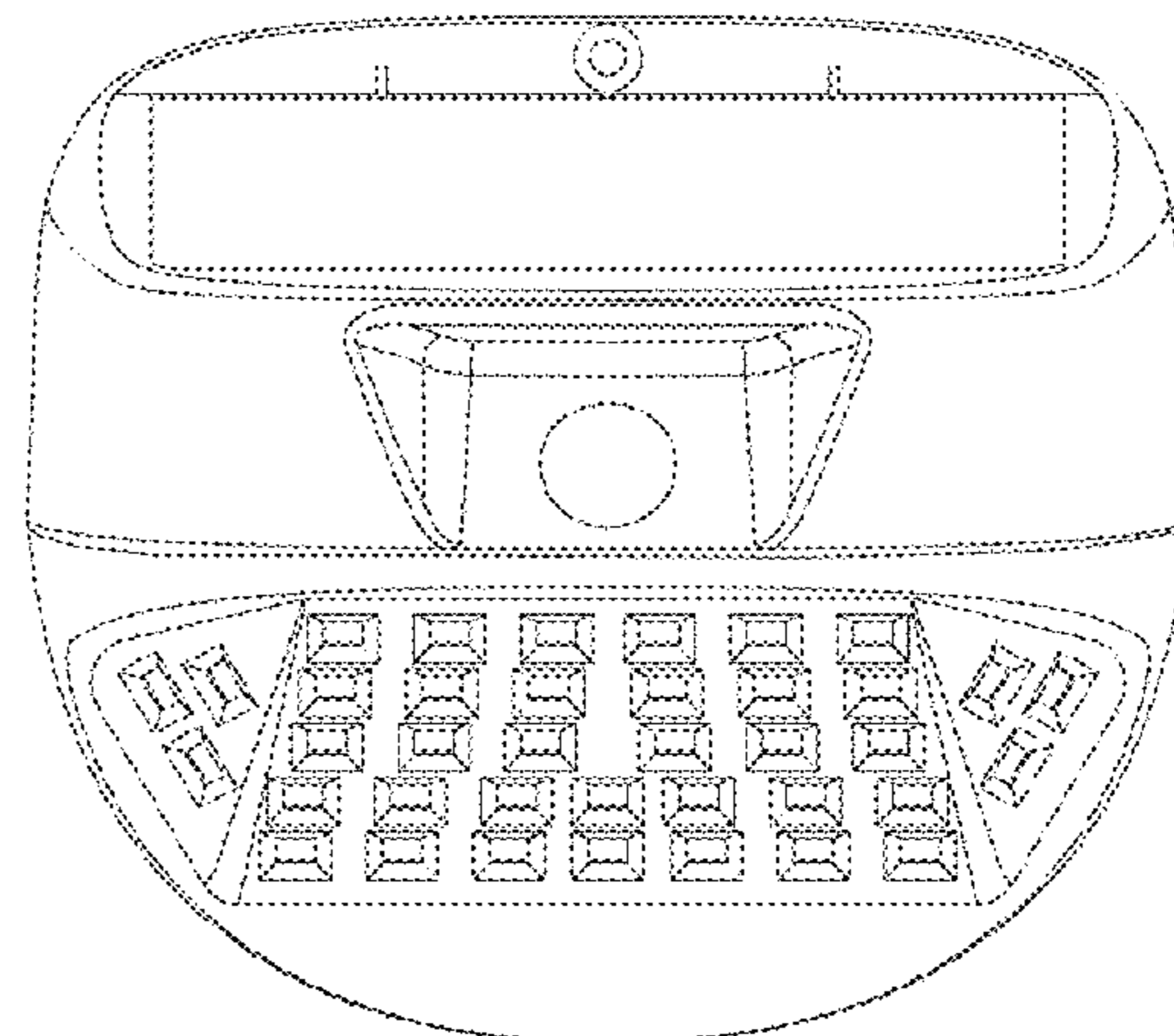
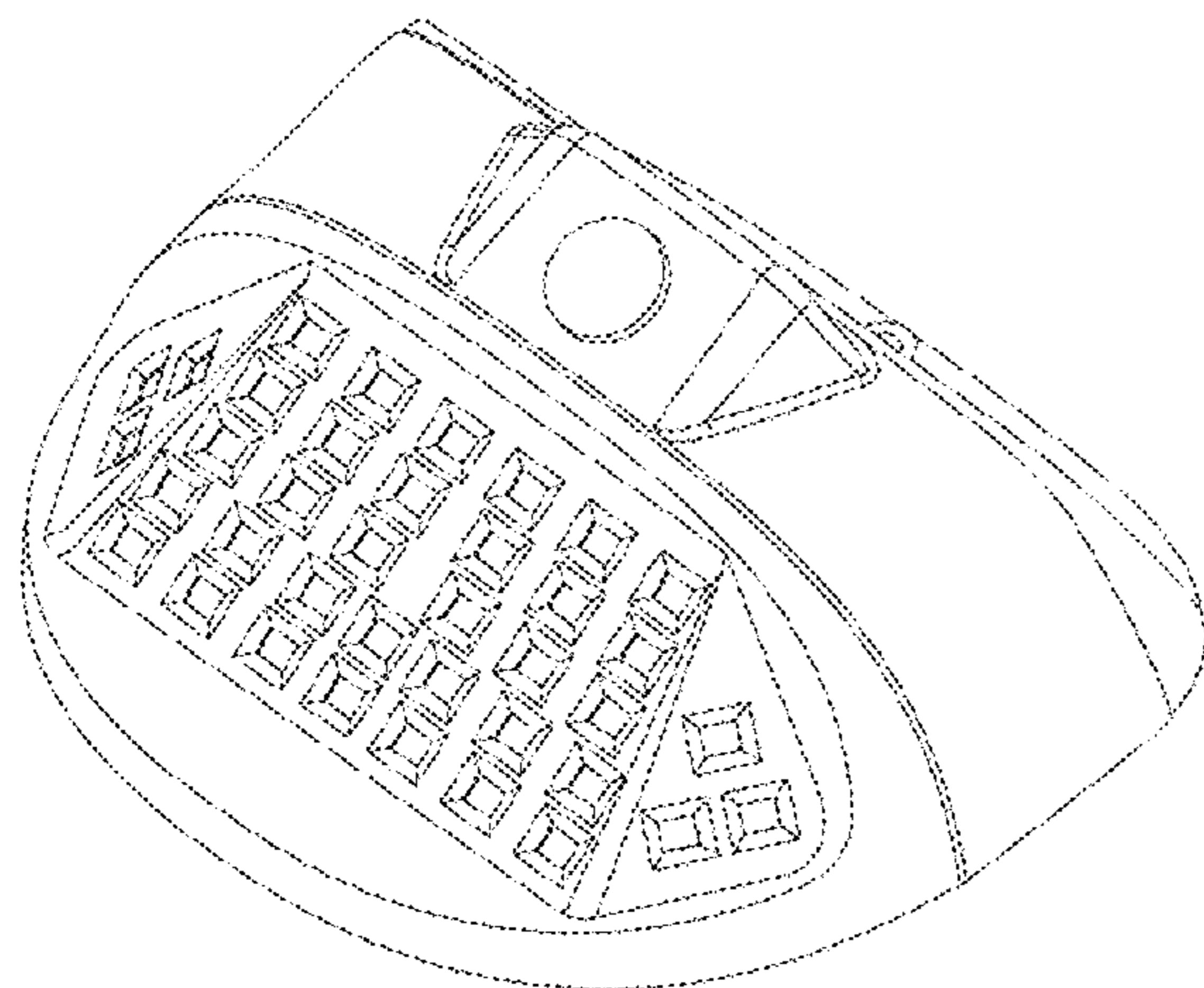
FIG. 4 is a left side elevational view thereof;

FIG. 5 is a right side elevational view thereof;

FIG. 6 is a top plan view thereof; and,

FIG. 7 is a bottom plan view thereof.

1 Claim, 7 Drawing Sheets



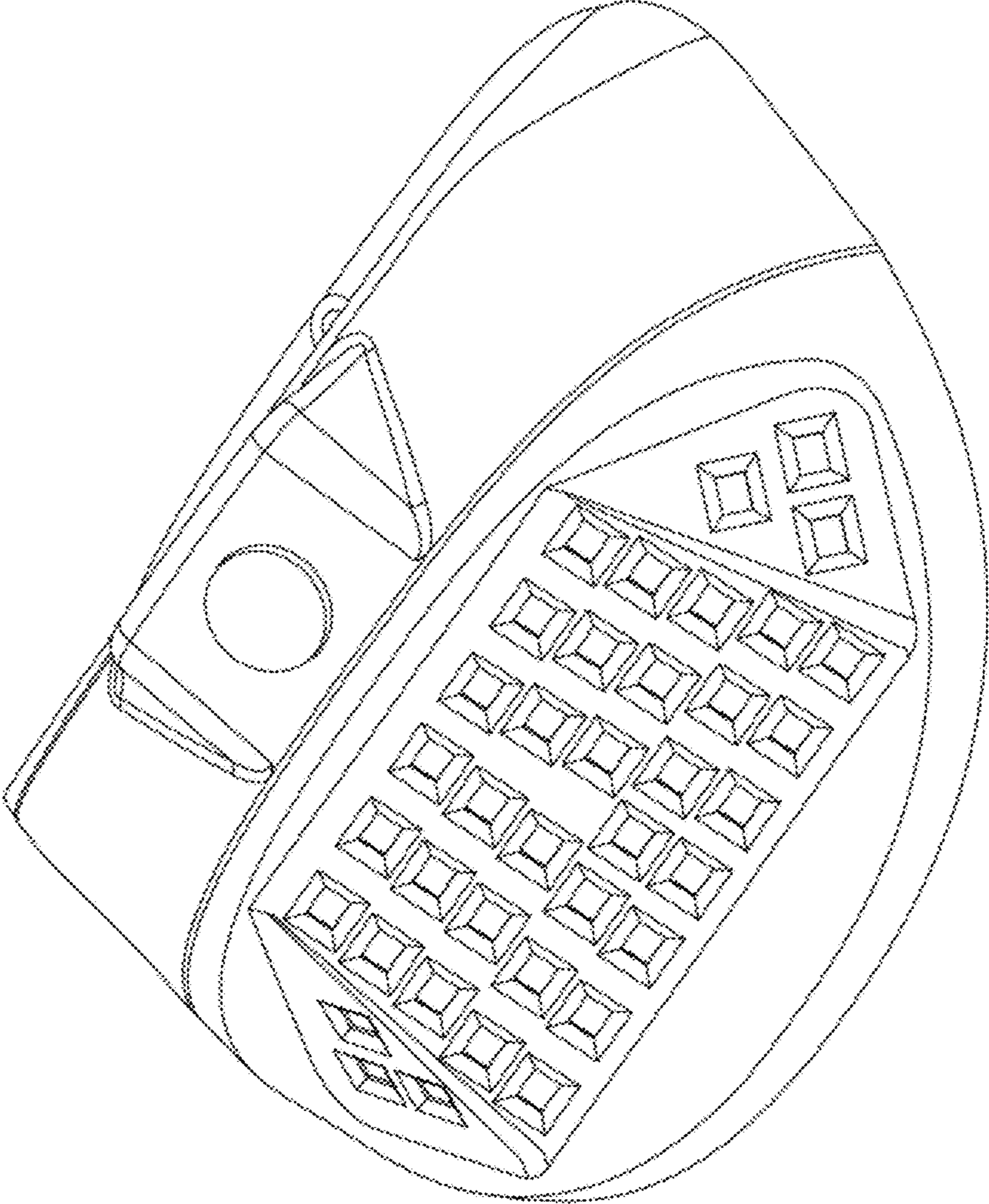


FIG. 1

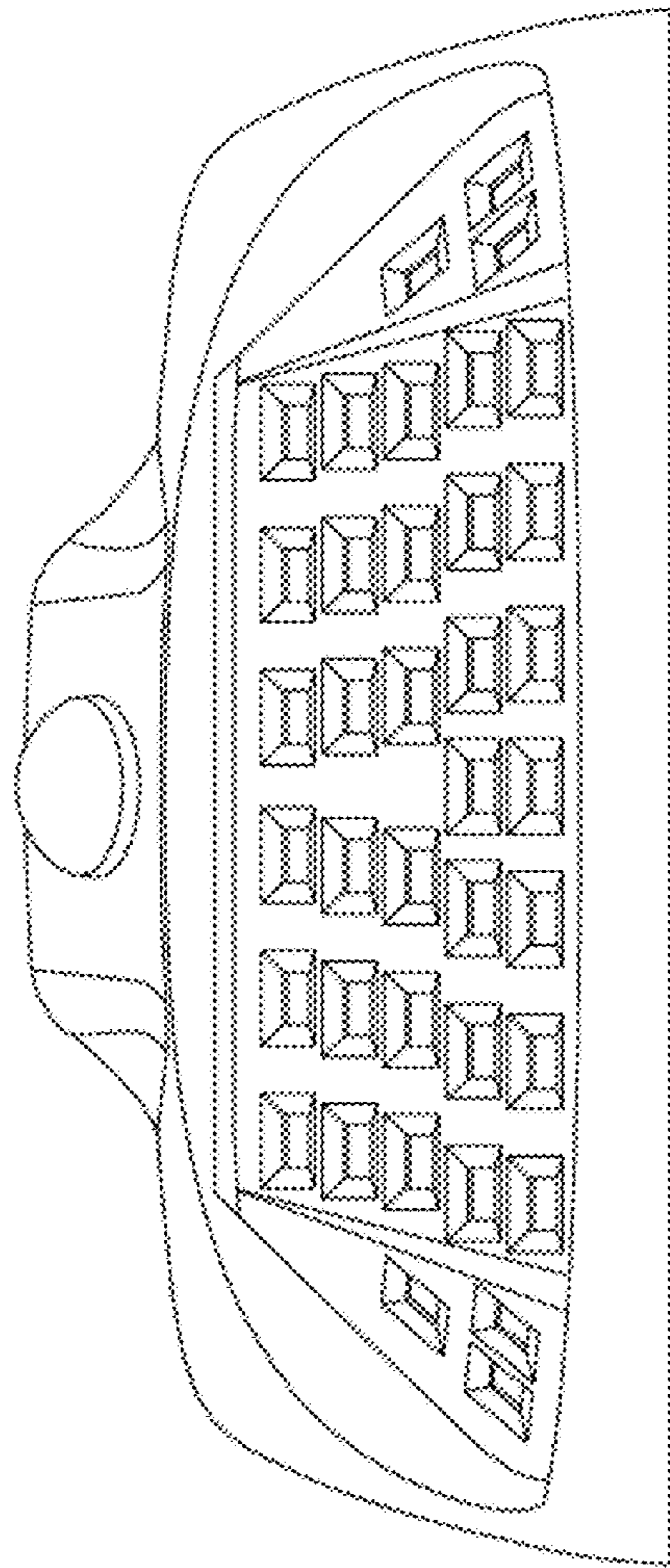


FIG. 2

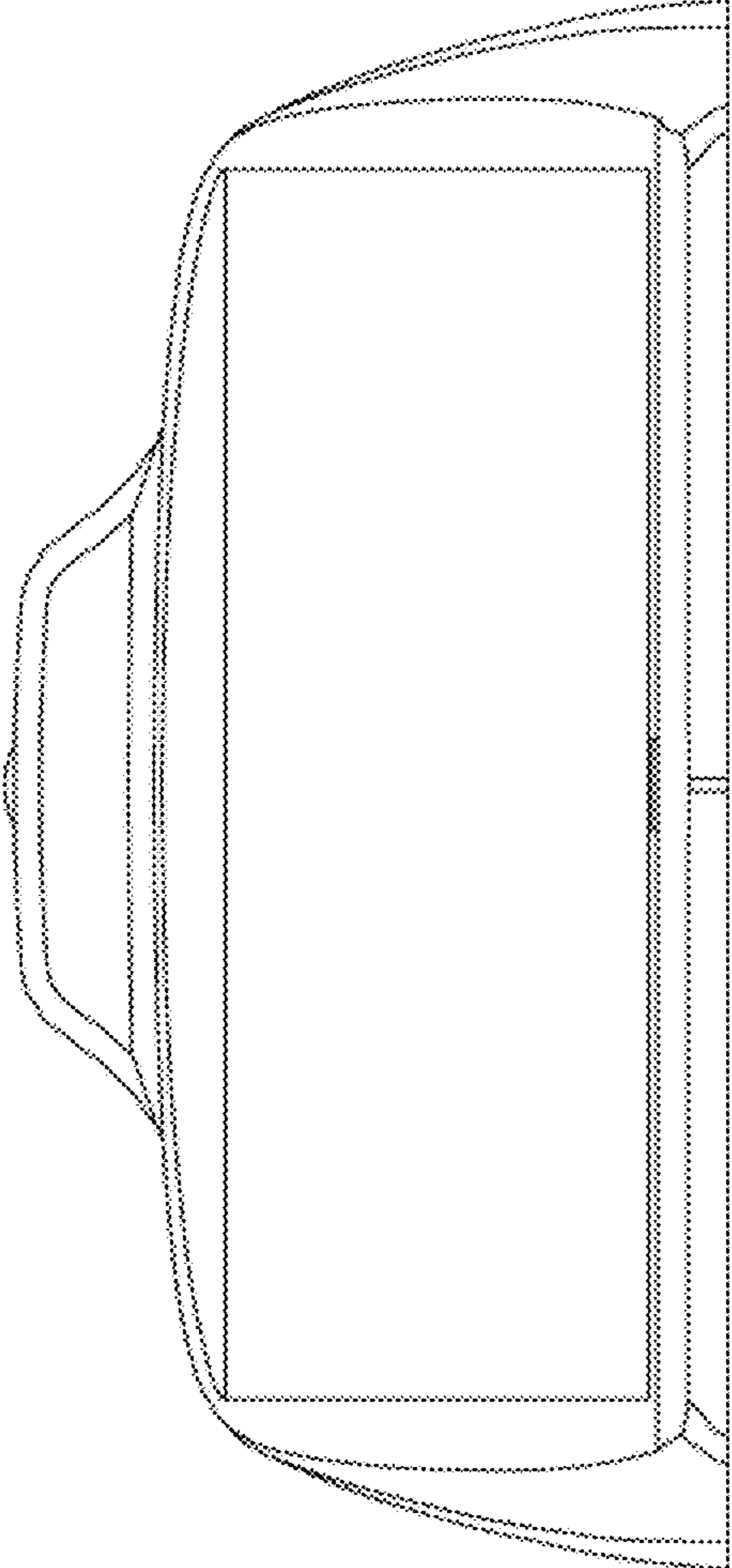


FIG. 3

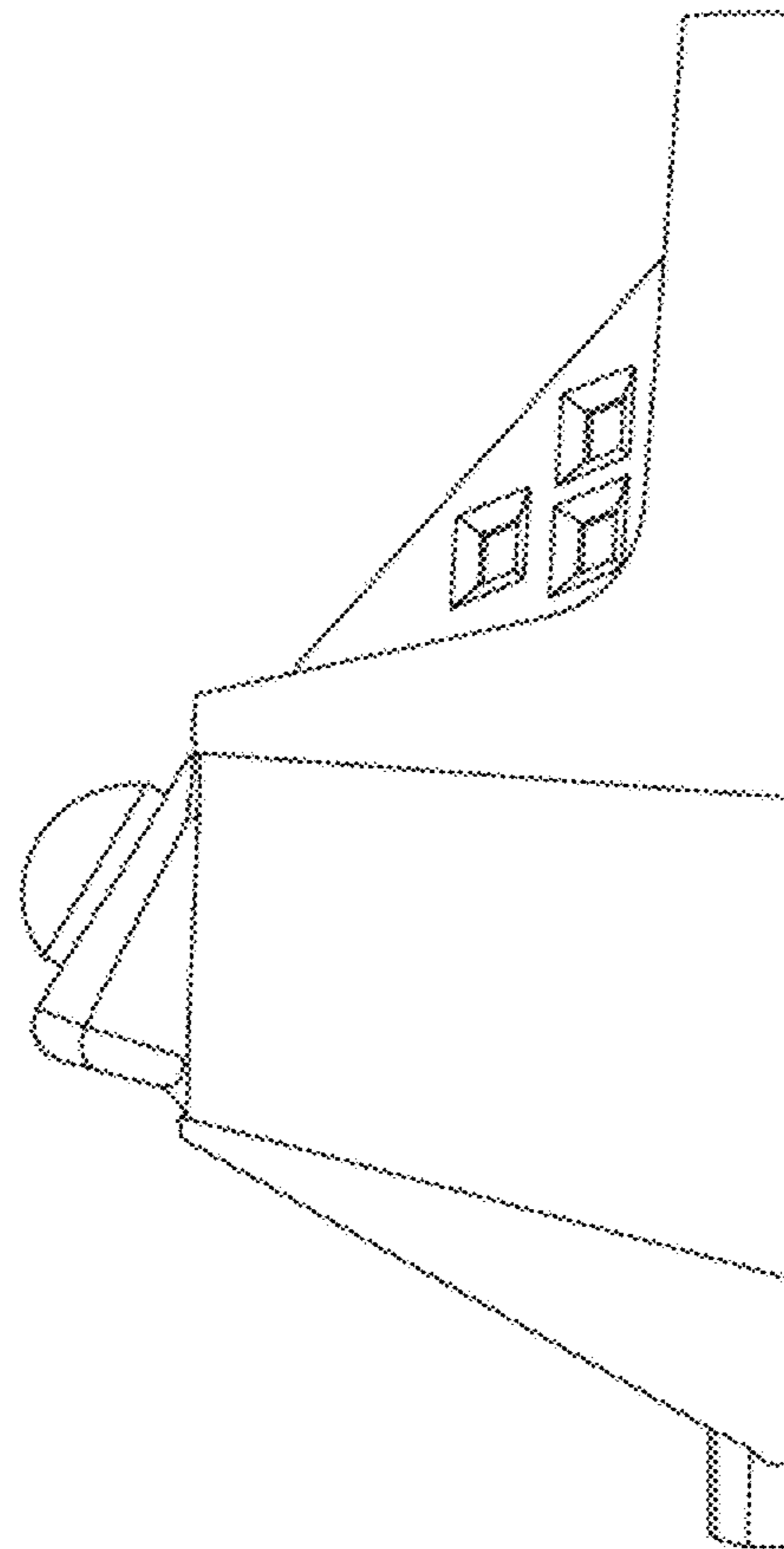


FIG. 4

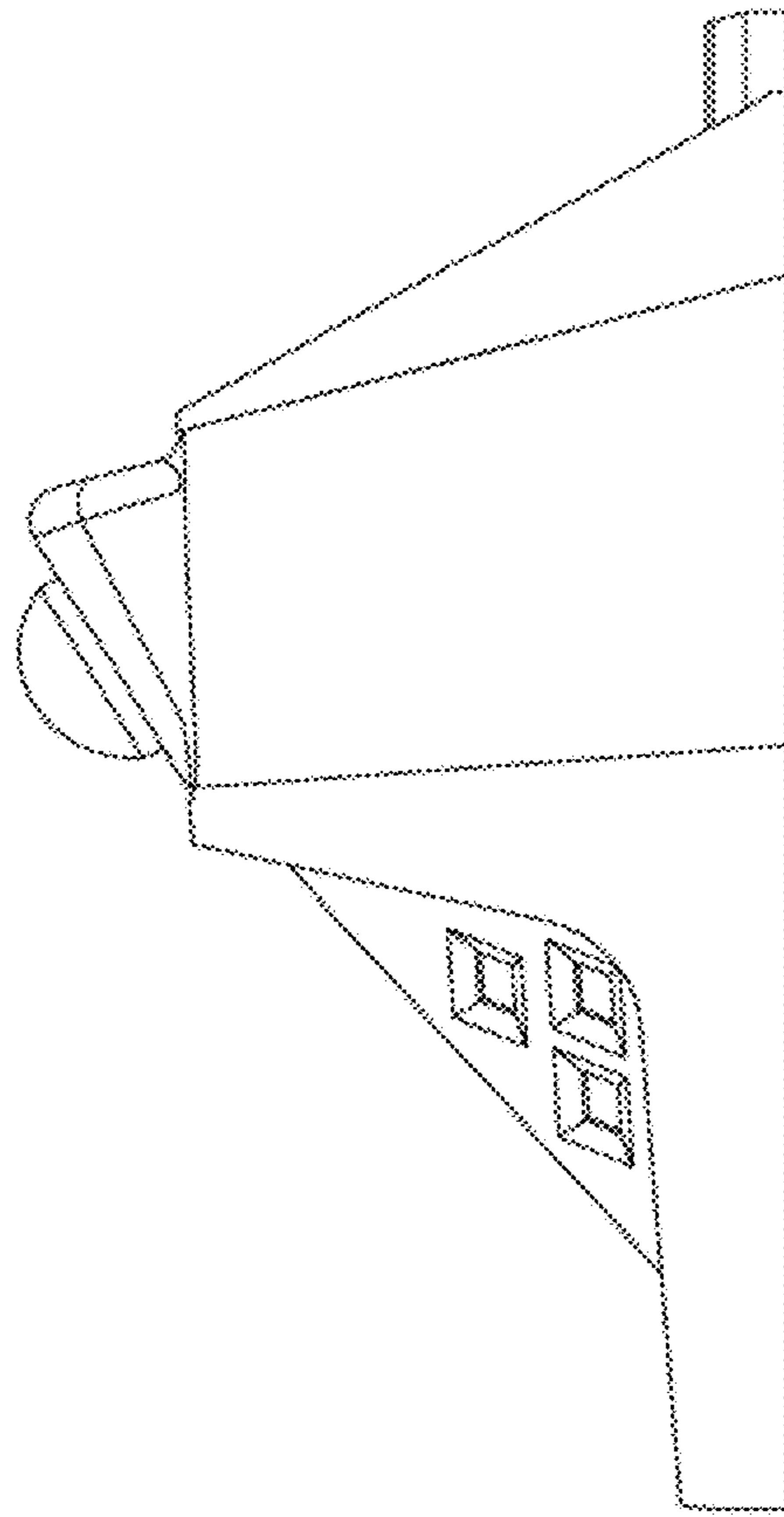


FIG. 5

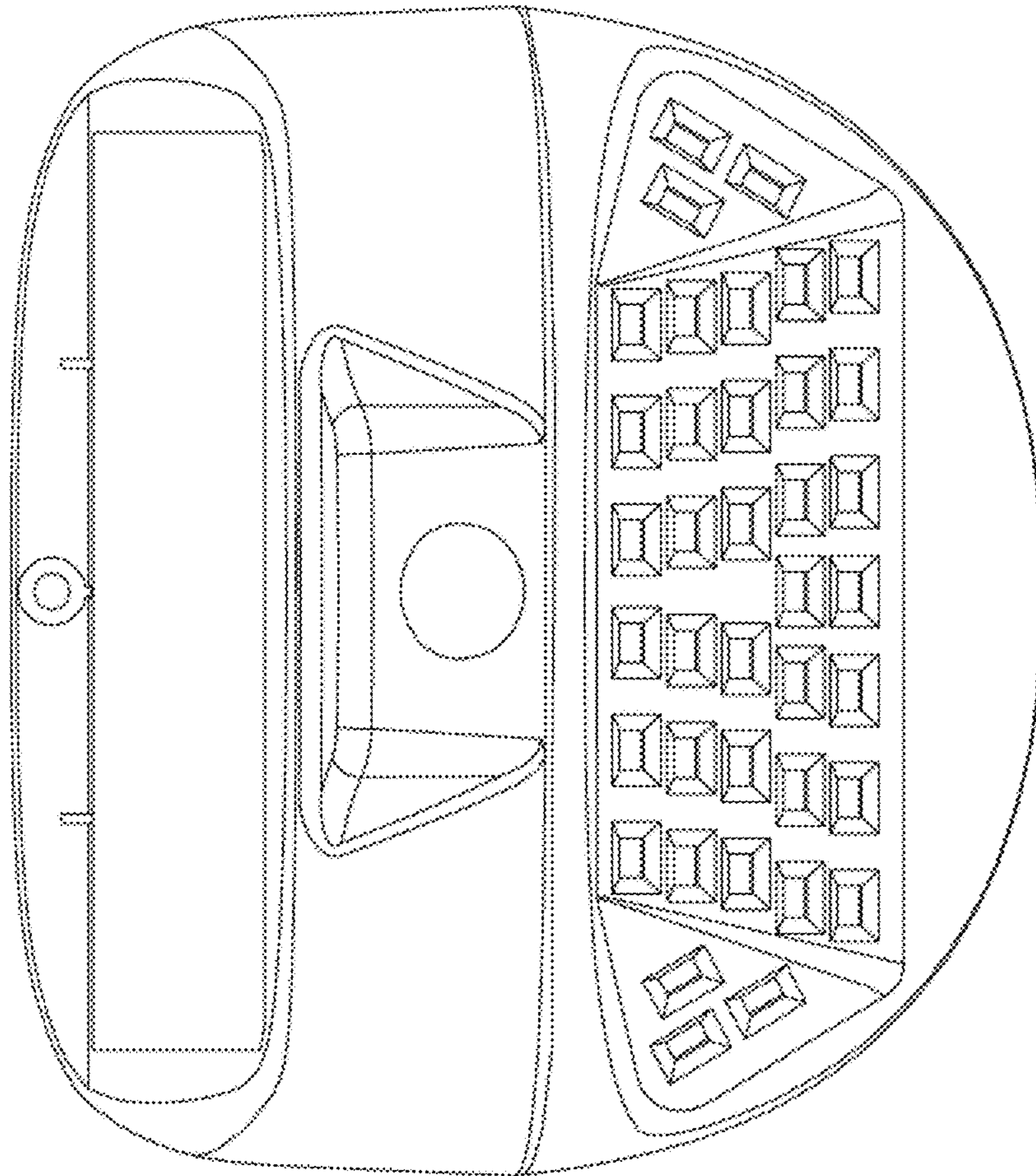


FIG. 6

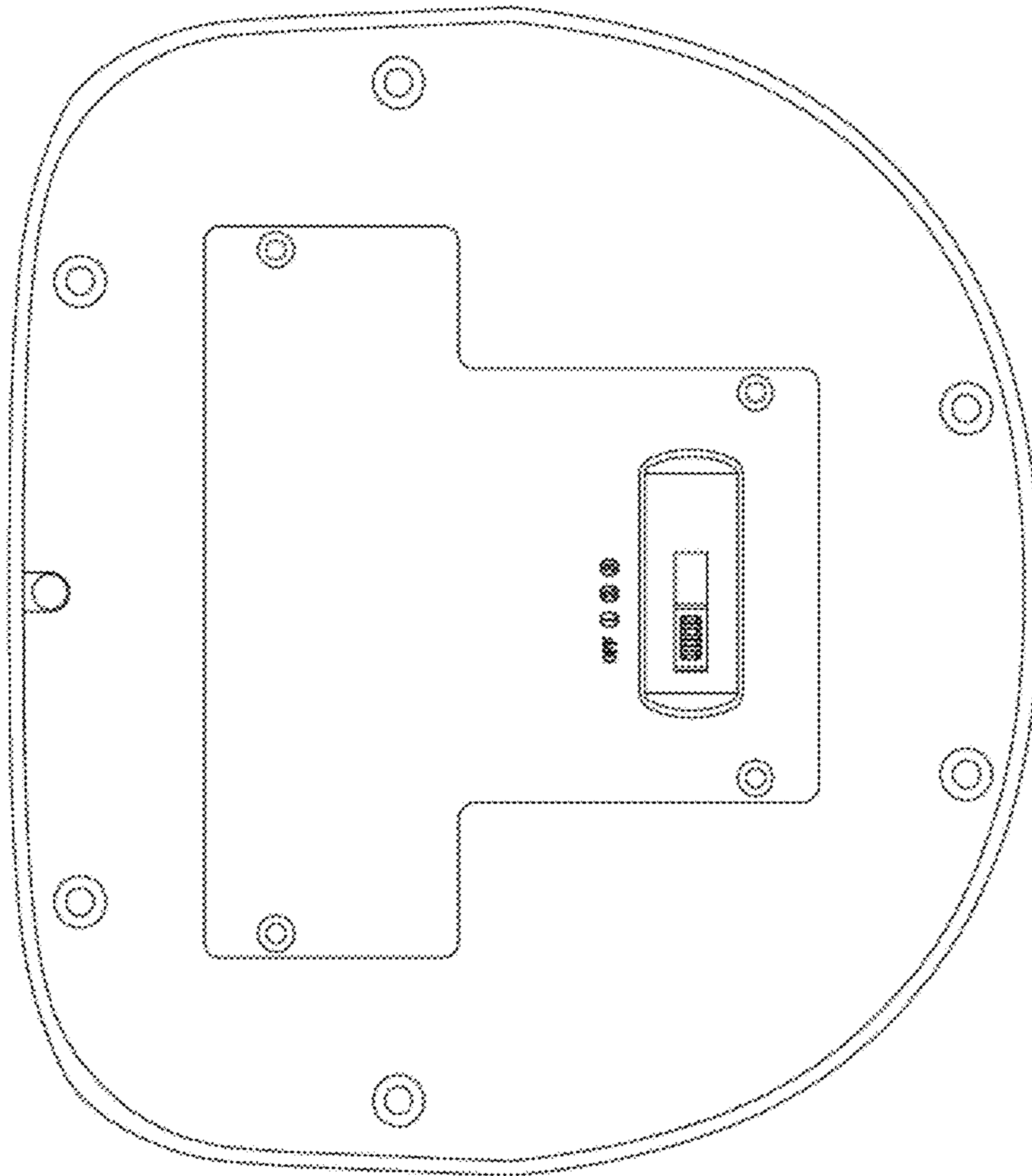


FIG. 7