



US00D866841S

(12) **United States Design Patent** (10) **Patent No.:** **US D866,841 S**
Vasylyev (45) **Date of Patent:** **** Nov. 12, 2019**

(54) **EDGE-LIT LED LIGHTING FIXTURE**

(71) Applicant: **Sergiy Vasylyev**, Elk Grove, CA (US)

(72) Inventor: **Sergiy Vasylyev**, Elk Grove, CA (US)

(73) Assignee: **SVV TECHNOLOGY INNOVATIONS, INC.**, Sacramento, CA (US)

(**) Term: **15 Years**

(21) Appl. No.: **29/593,723**

(22) Filed: **Feb. 11, 2017**

(51) **LOC (12) Cl.** **26-05**

(52) **U.S. Cl.**
USPC **D26/85; D26/124**

(58) **Field of Classification Search**
USPC D26/72, 85-87, 124, 118, 135, 137, 120
CPC F21V 1/00; F21V 5/00; F21V 5/02; F21V 5/043; F21V 21/00; F21V 21/02; F21V 7/041; F21V 7/043; F21S 8/03; F21S 8/033; F21S 8/036; F21S 8/037; F21S 8/04; F21S 9/037; F21W 2131/107
See application file for complete search history.

(56) **References Cited**

U.S. PATENT DOCUMENTS

D31,763 S * 10/1899 Locke D25/109
D114,329 S * 4/1939 Gregg D26/86
(Continued)

OTHER PUBLICATIONS

RIWL1BPT Wall Sconce, Canarm.com, (c) 2015, site visited Feb. 21, 2018, available online at http://www.canarm.com/Residential/Residential_Lighting/Wall/RIWL151 (Year: 2015).*

Primary Examiner — Cathron C Brooks

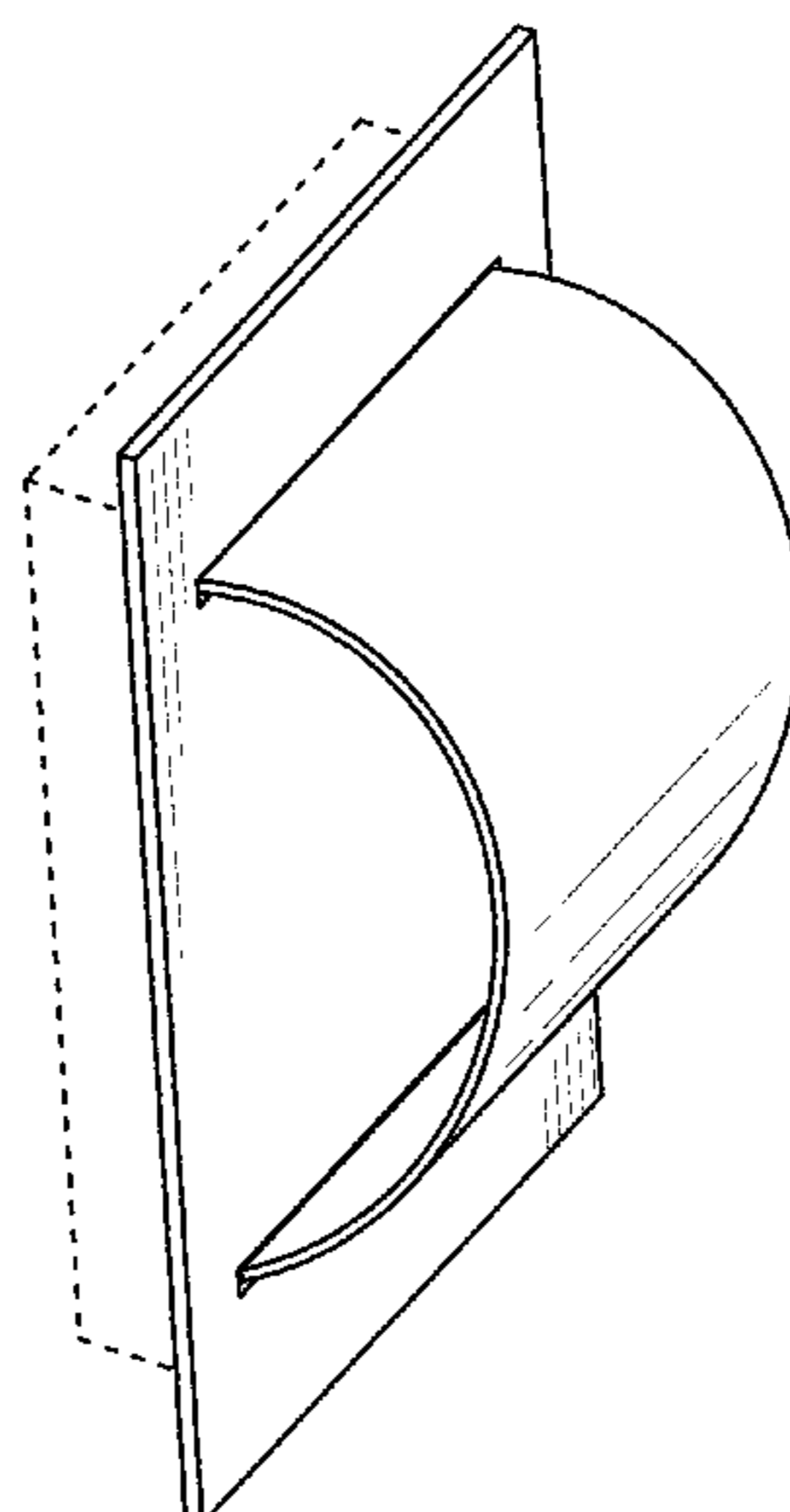
(57) **CLAIM**

The ornamental design for an edge-lit LED lighting fixture, as shown and described.

DESCRIPTION

FIG. 1 is a front, top and left side perspective view of an edge-lit LED lighting fixture showing a first embodiment of my new design;
FIG. 2 is a front view thereof;
FIG. 3 is a rear view thereof;
FIG. 4 is a left side view thereof, the right side view being a mirror image thereof;
FIG. 5 is a top view thereof, the bottom view being a mirror image thereof;
FIG. 6 is a front, top and left side perspective view of a second embodiment thereof;
FIG. 7 is a front view thereof;
FIG. 8 is a rear view thereof;
FIG. 9 is a left side view thereof, the right side view being a mirror image thereof;
FIG. 10 is a top view thereof, the bottom view being a mirror image thereof;
FIG. 11 is a front, top and left side perspective view of a third embodiment thereof, in a non-illuminated state;
FIG. 12 is a front view thereof;
FIG. 13 is a rear view thereof;
FIG. 14 is a left side view thereof, the right side view being a mirror image thereof;
FIG. 15 is a top view thereof, the bottom view being a mirror image thereof;
FIG. 16 is a front, top and left side perspective view of the edge-lit LED lighting fixture of FIGS. 11-15, in an illuminated state;
FIG. 17 is a front view thereof;
FIG. 18 is a rear view thereof;
FIG. 19 is a left side view thereof, the right side view being a mirror image thereof; and,
FIG. 20 is a top view thereof, the bottom view being a mirror image thereof.
The broken lines represent portions of the edge-lit LED lighting fixture, and form no part of the claimed design.

1 Claim, 8 Drawing Sheets



(56)

References Cited

U.S. PATENT DOCUMENTS

D162,345 S *	3/1951	Roney	D23/366	D605,330 S *	12/2009	Miranda	D26/85
2,640,913 A *	6/1953	Little	F21S 8/033	D610,296 S	2/2010	Boissevain et al.		
				362/307	D630,792 S *	1/2011	Schwinkowski	D26/85
D286,206 S *	10/1986	Joosten	D26/76	D633,247 S	2/2011	Kong et al.		
D349,173 S	6/1994	Fellinger			D646,425 S *	10/2011	Crosby	D26/85
D394,728 S *	5/1998	Alexander	D26/109	D652,982 S *	1/2012	Chen	D26/118
D422,107 S *	3/2000	Meier	362/147	D664,702 S *	7/2012	Senkyr	D26/85
D430,326 S *	8/2000	Littman	D26/85	D668,810 S	10/2012	Bryant		
D452,031 S *	12/2001	Brunner	D26/87	D692,176 S	10/2013	Parres		
D456,932 S *	5/2002	Crosby	D26/85	D700,726 S	3/2014	Kim et al.		
D459,827 S *	7/2002	Yang	D26/86	D705,974 S	5/2014	Blessitt et al.		
D469,910 S *	2/2003	St-Pierre	D26/85	8,827,505 B1 *	9/2014	Senkyr	F21S 8/036
D486,600 S *	2/2004	Coe	D26/73					362/351
D492,799 S *	7/2004	Friedman	D26/26	D728,153 S	4/2015	Blessitt		
D514,246 S	1/2006	Hoering et al.			D729,435 S *	5/2015	Arndt	D26/118
D550,392 S	9/2007	Guercio et al.			D735,401 S	7/2015	Clements		
D562,491 S	2/2008	DiCola			D751,239 S *	3/2016	Chen	D26/118
D564,125 S *	3/2008	Chandler	D26/85	D751,648 S	3/2016	Gongola et al.		
D566,877 S *	4/2008	Chandler	D26/85	D783,880 S *	4/2017	McVey	D26/85
D578,241 S *	10/2008	Montalbano	D26/85	D785,851 S *	5/2017	Sonneman	D26/118
D589,196 S *	3/2009	Stone	D26/72	D804,086 S *	11/2017	Miller	D26/120
7,588,345 B1 *	9/2009	Davis	F21S 8/02	D822,893 S *	7/2018	McVey	D26/142
				362/223	2014/0218909 A1 *	8/2014	Tetsuo	F21V 5/043
									362/231

* cited by examiner

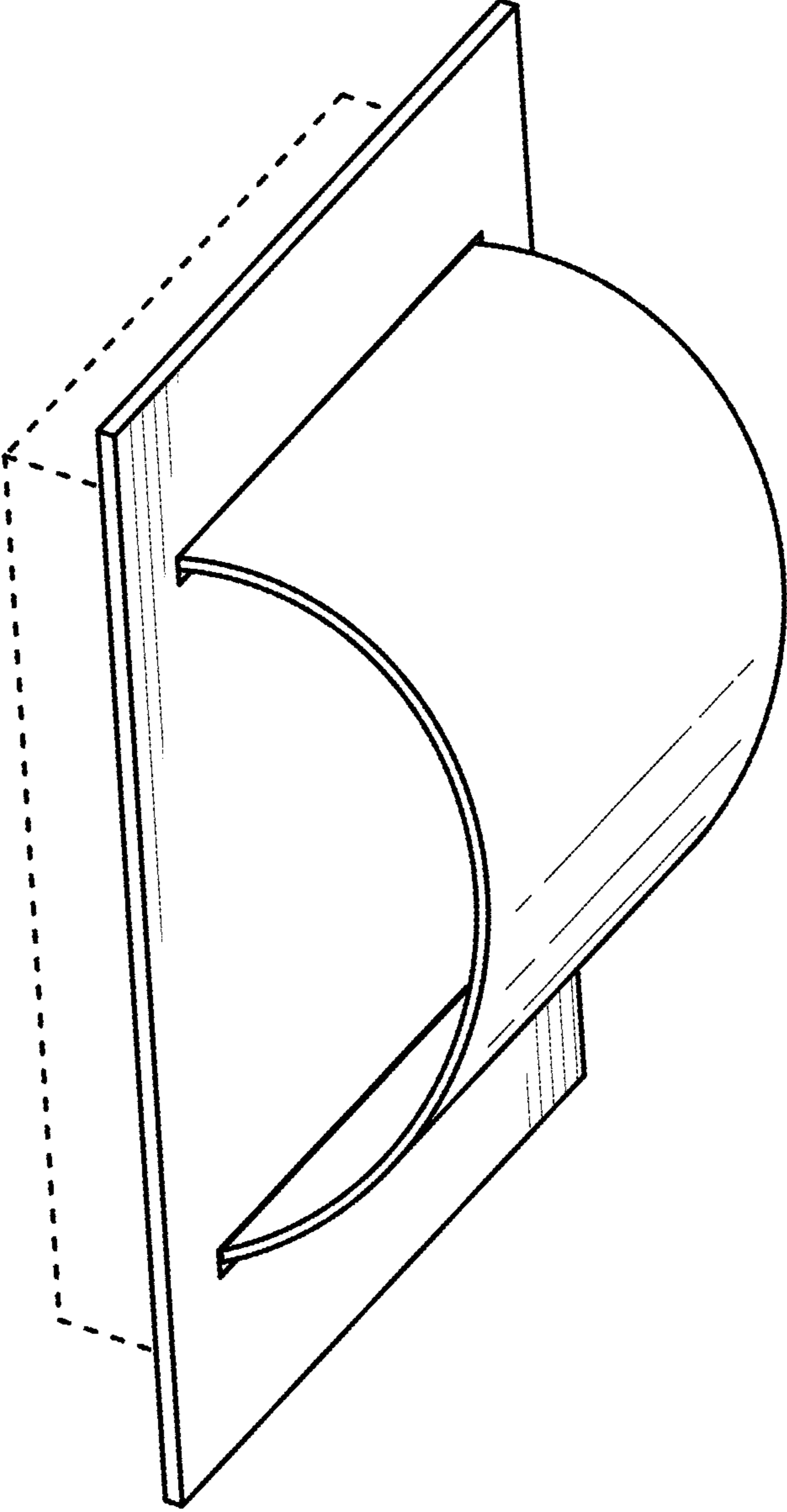


FIG. 1

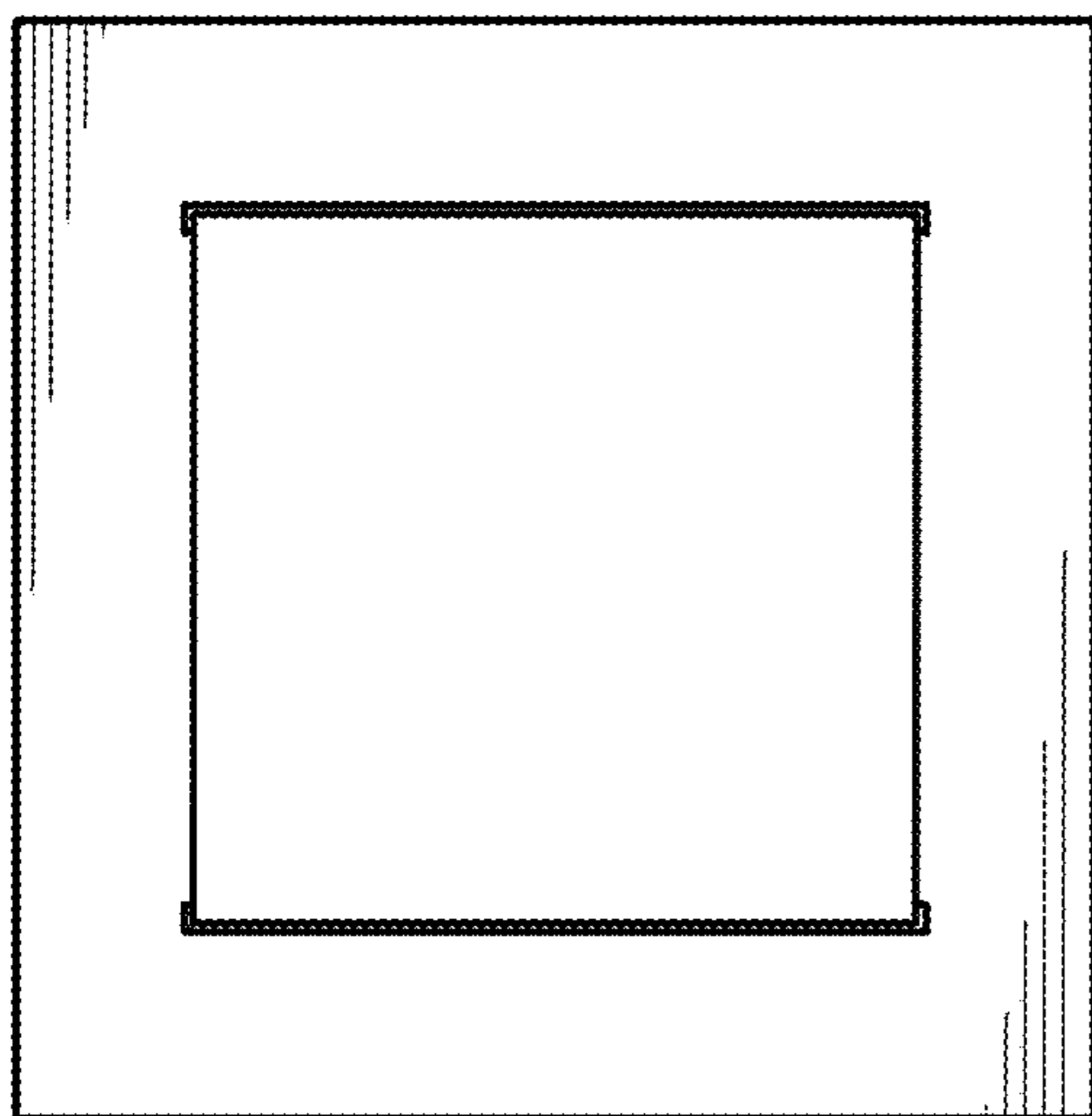


FIG. 2

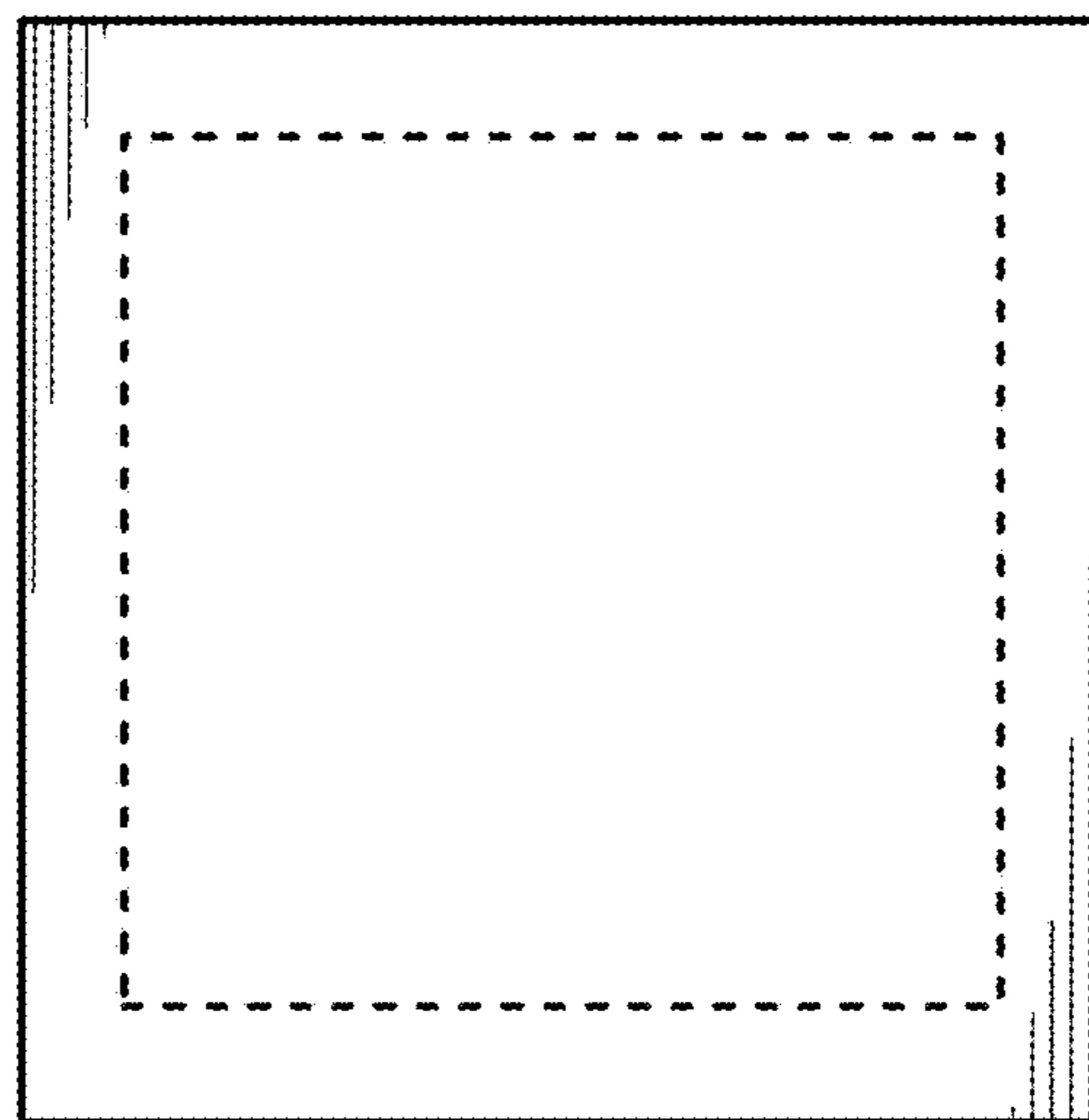


FIG. 3

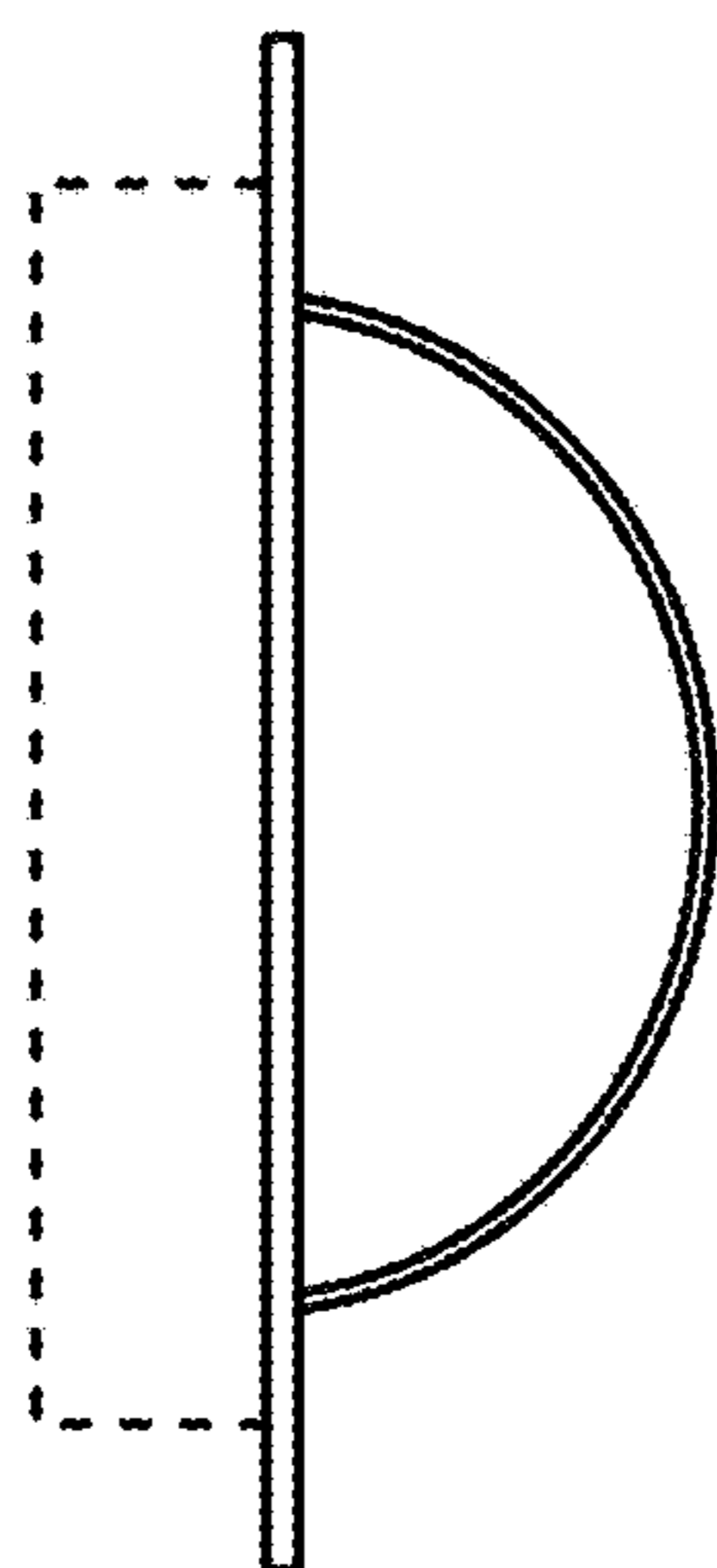


FIG. 4

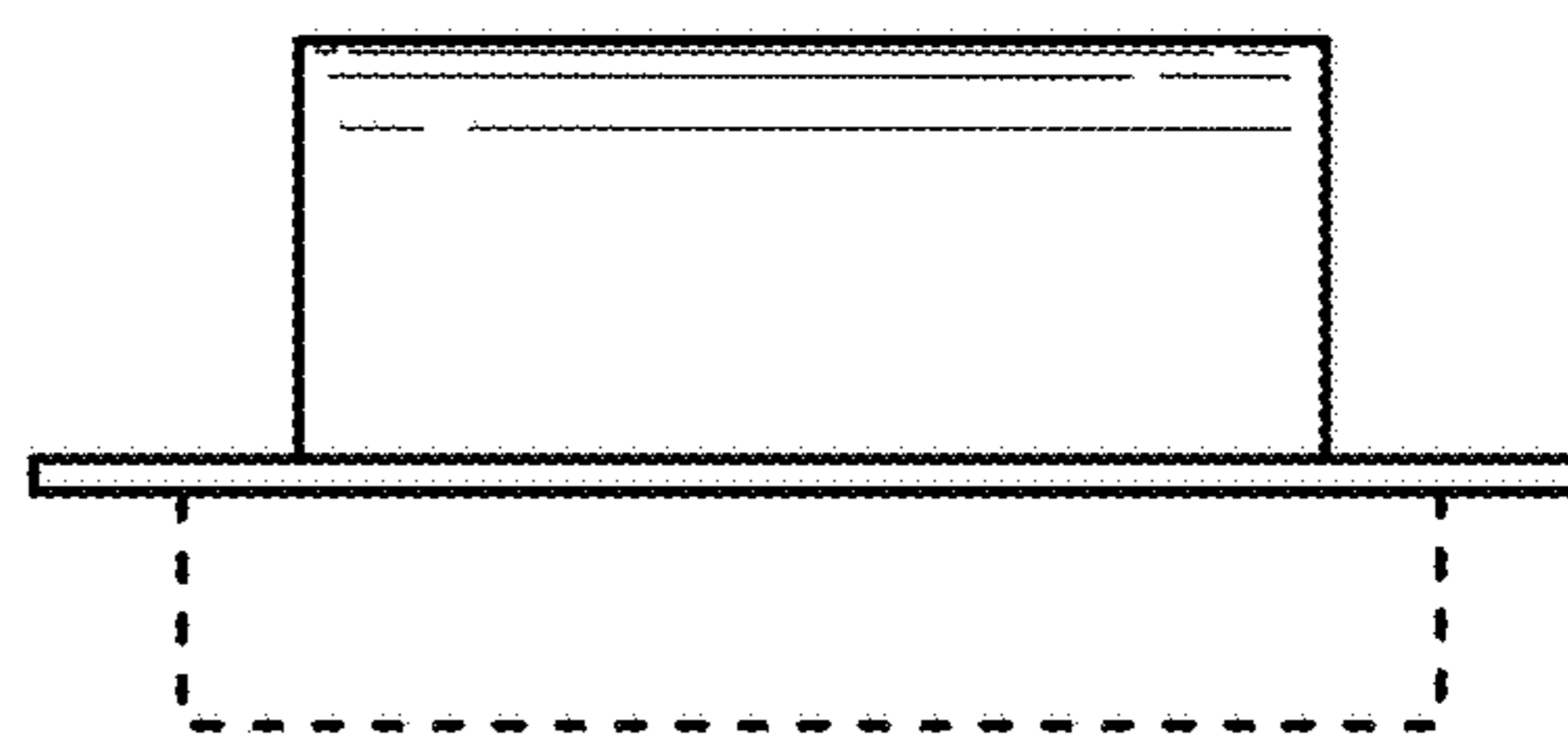


FIG. 5

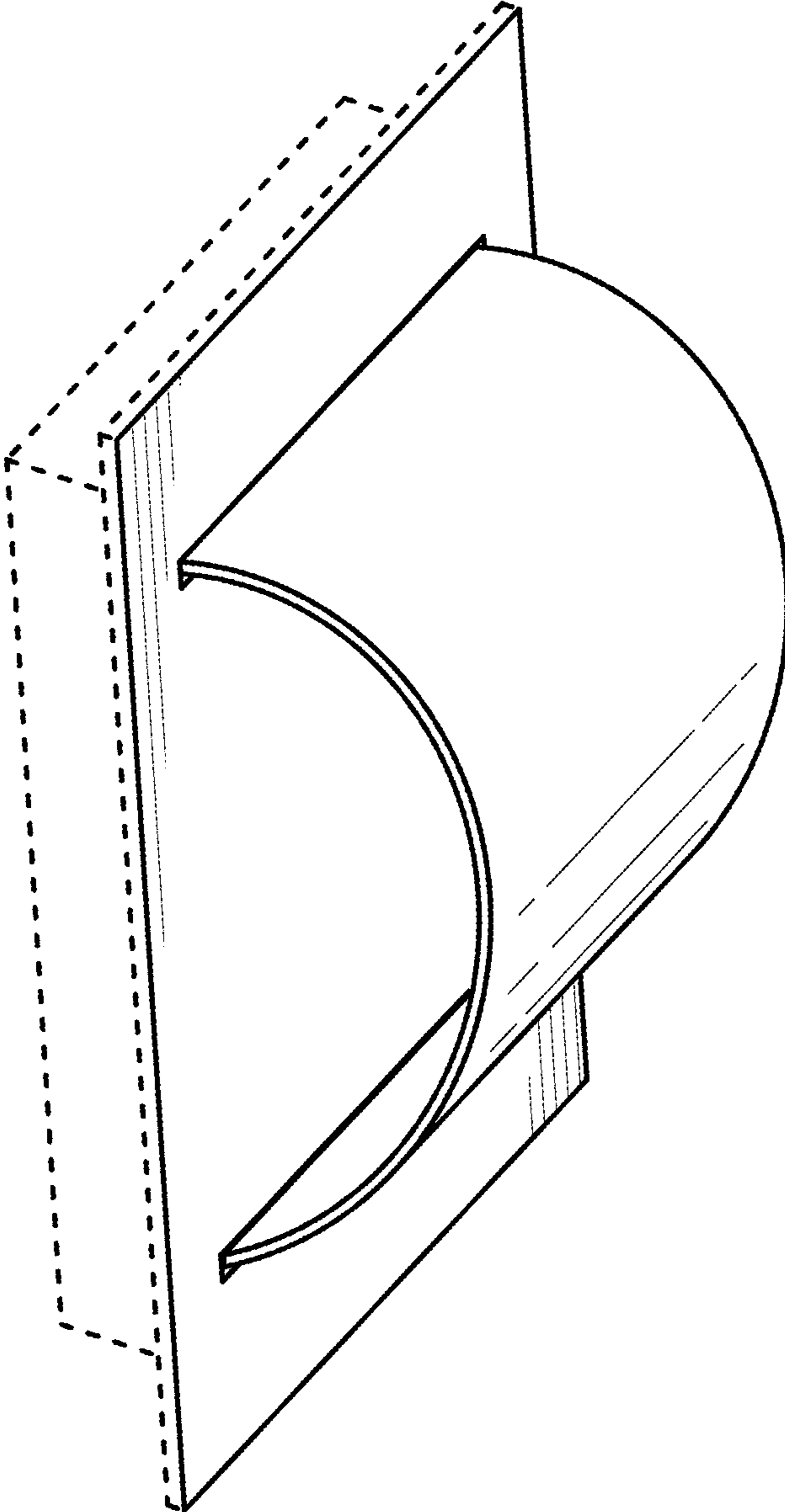


FIG. 6

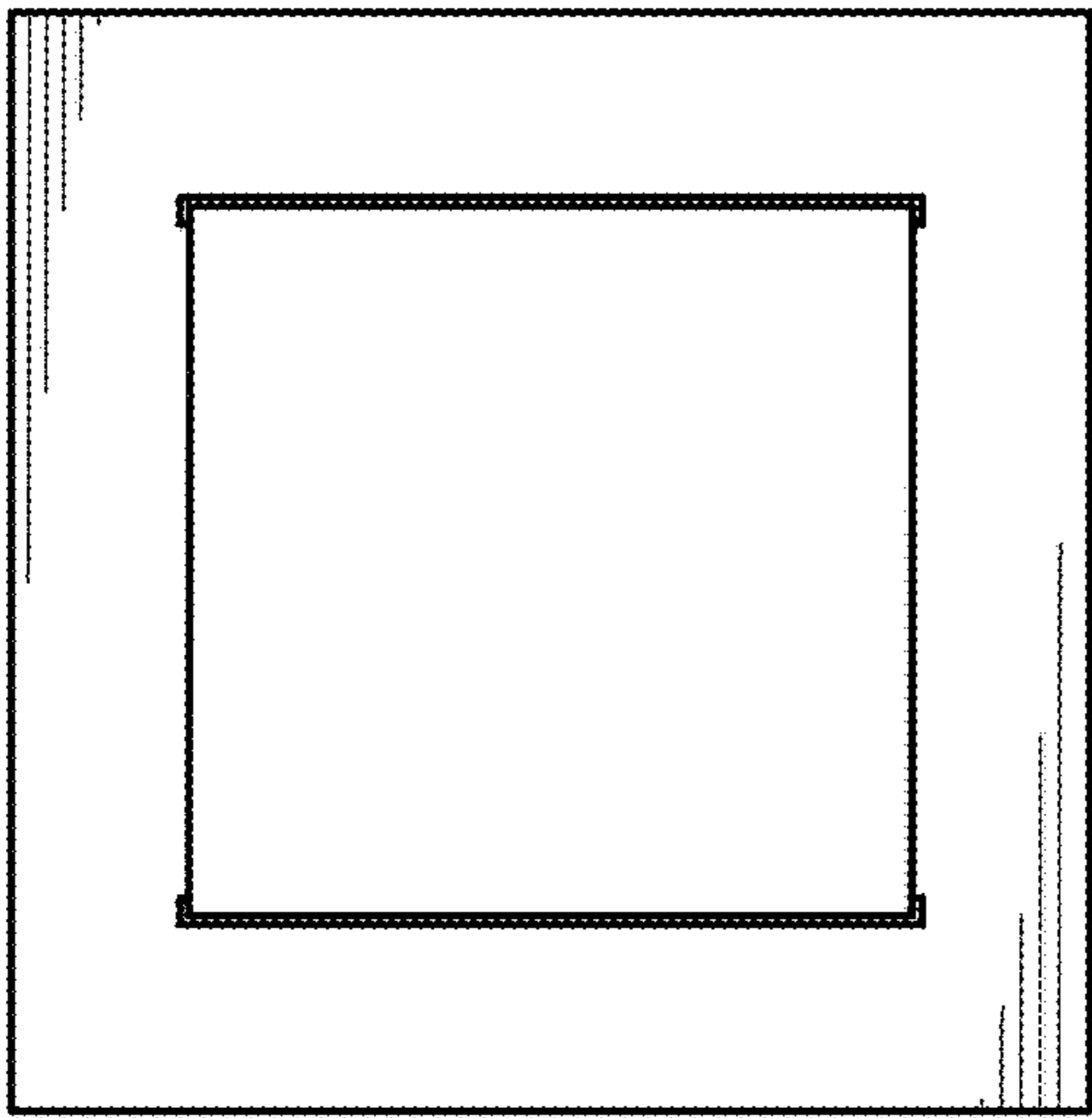


FIG. 7

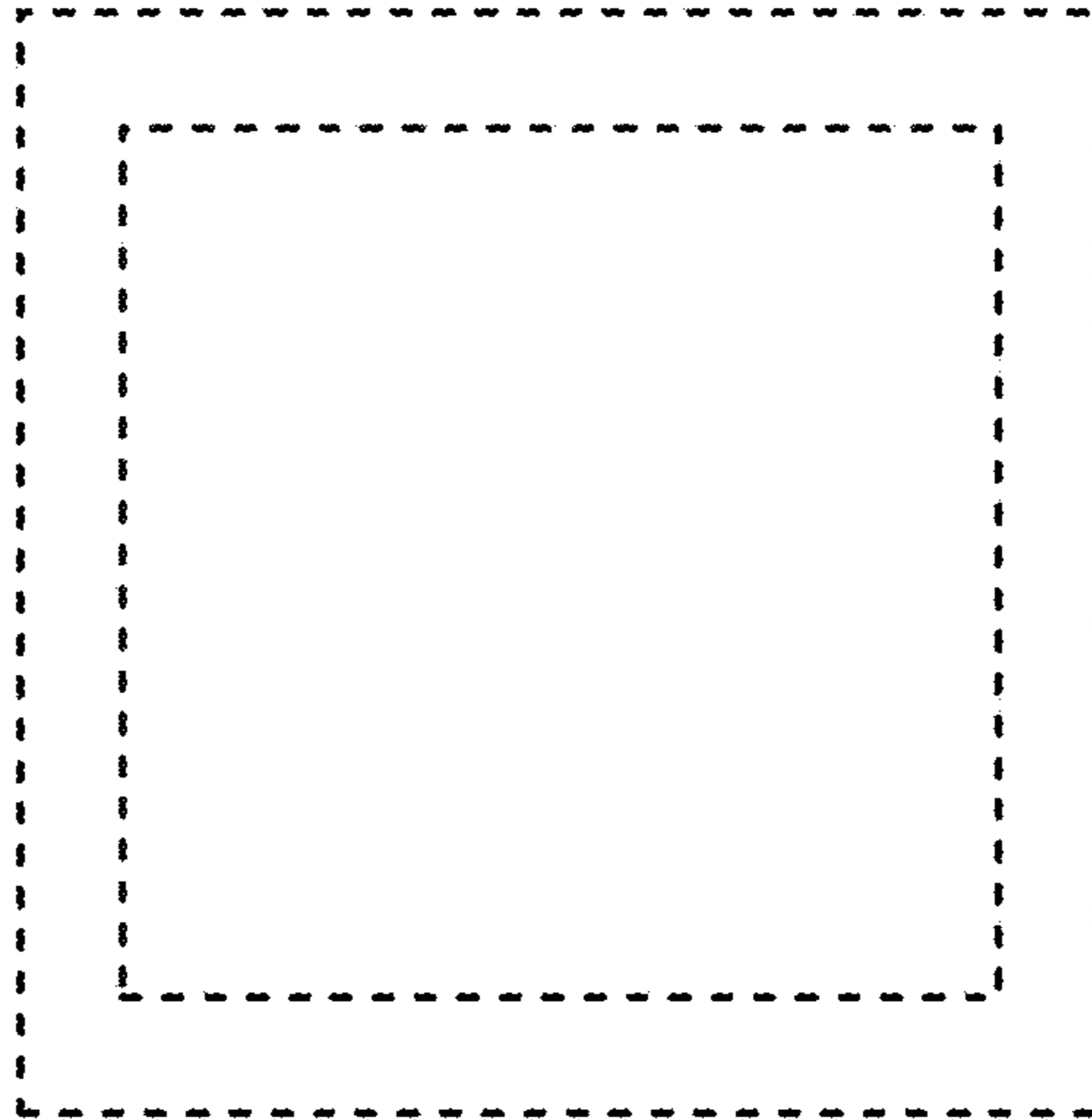


FIG. 8

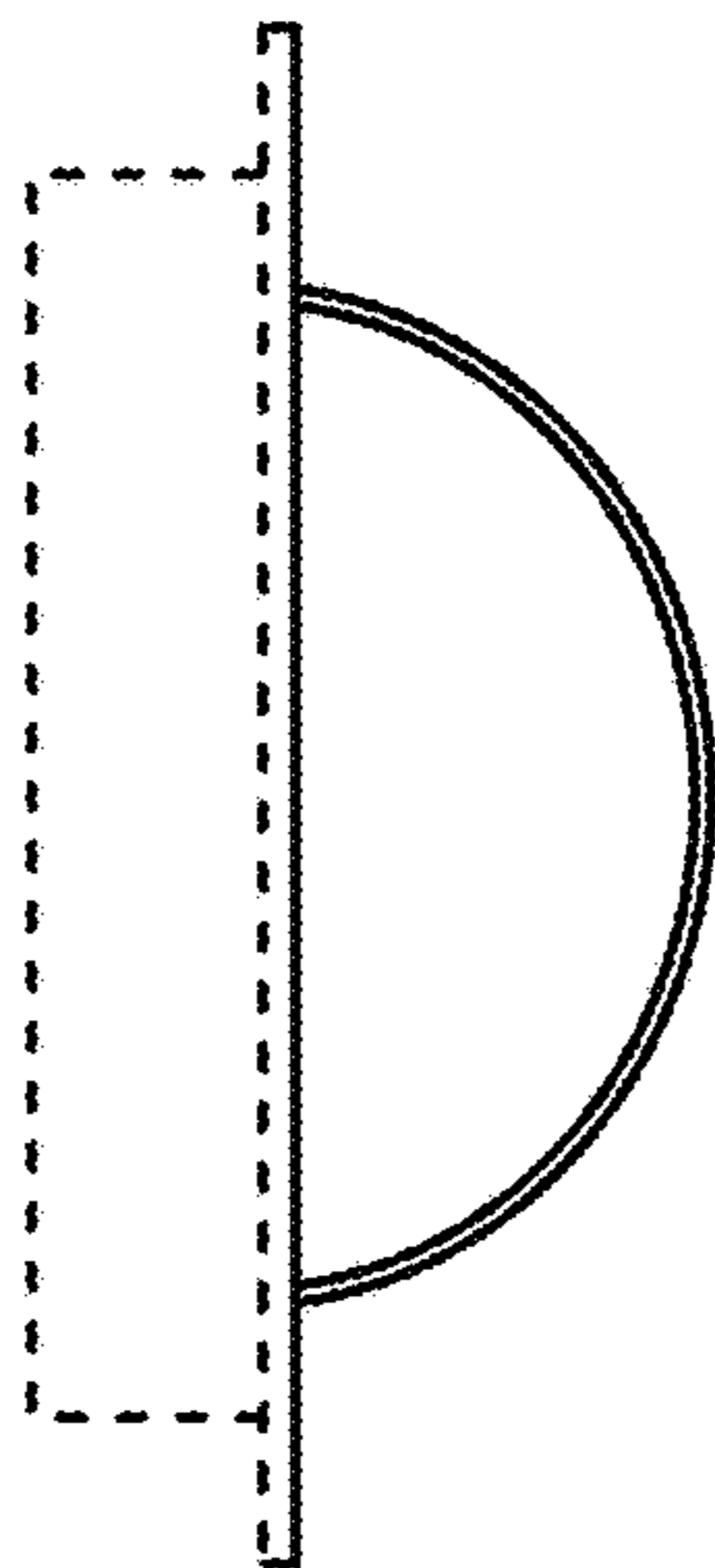


FIG. 9

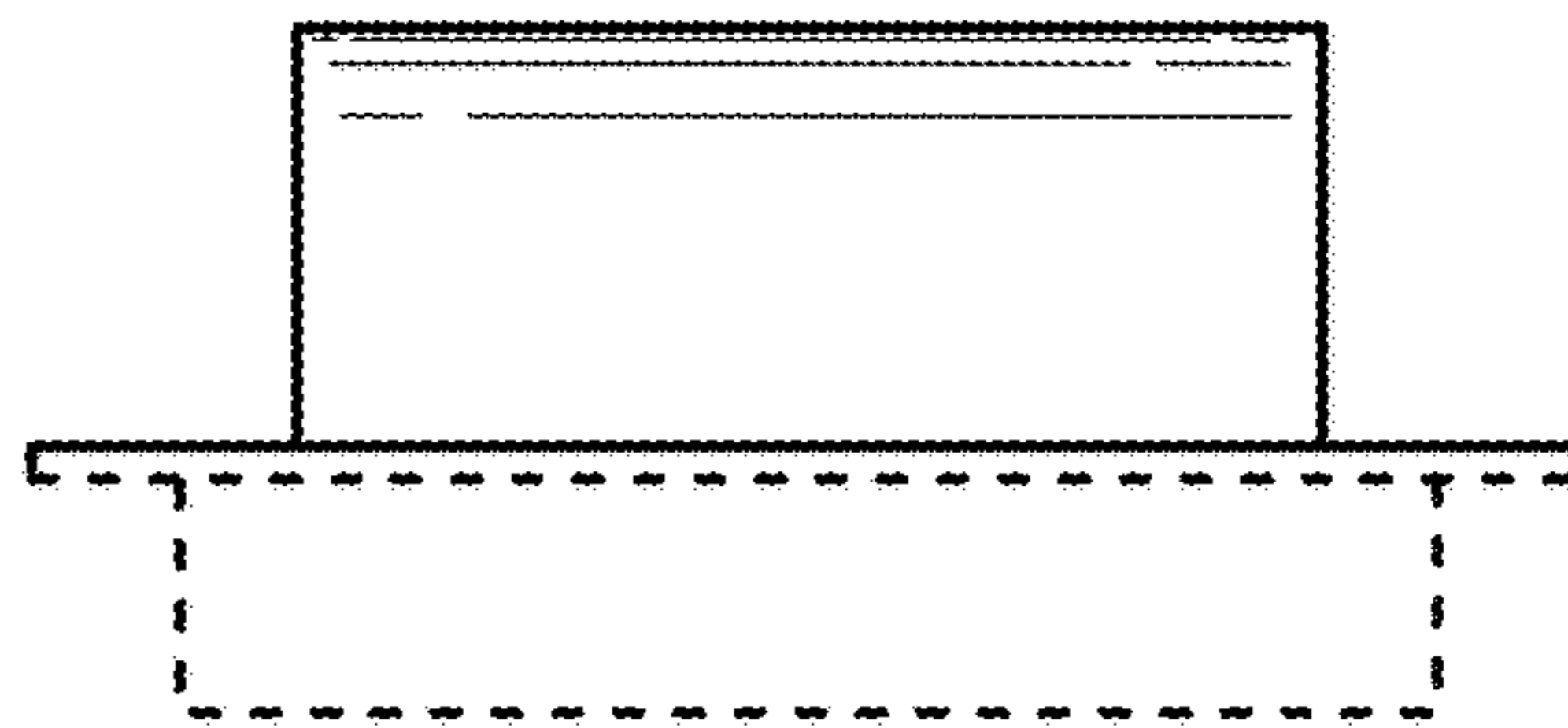


FIG. 10

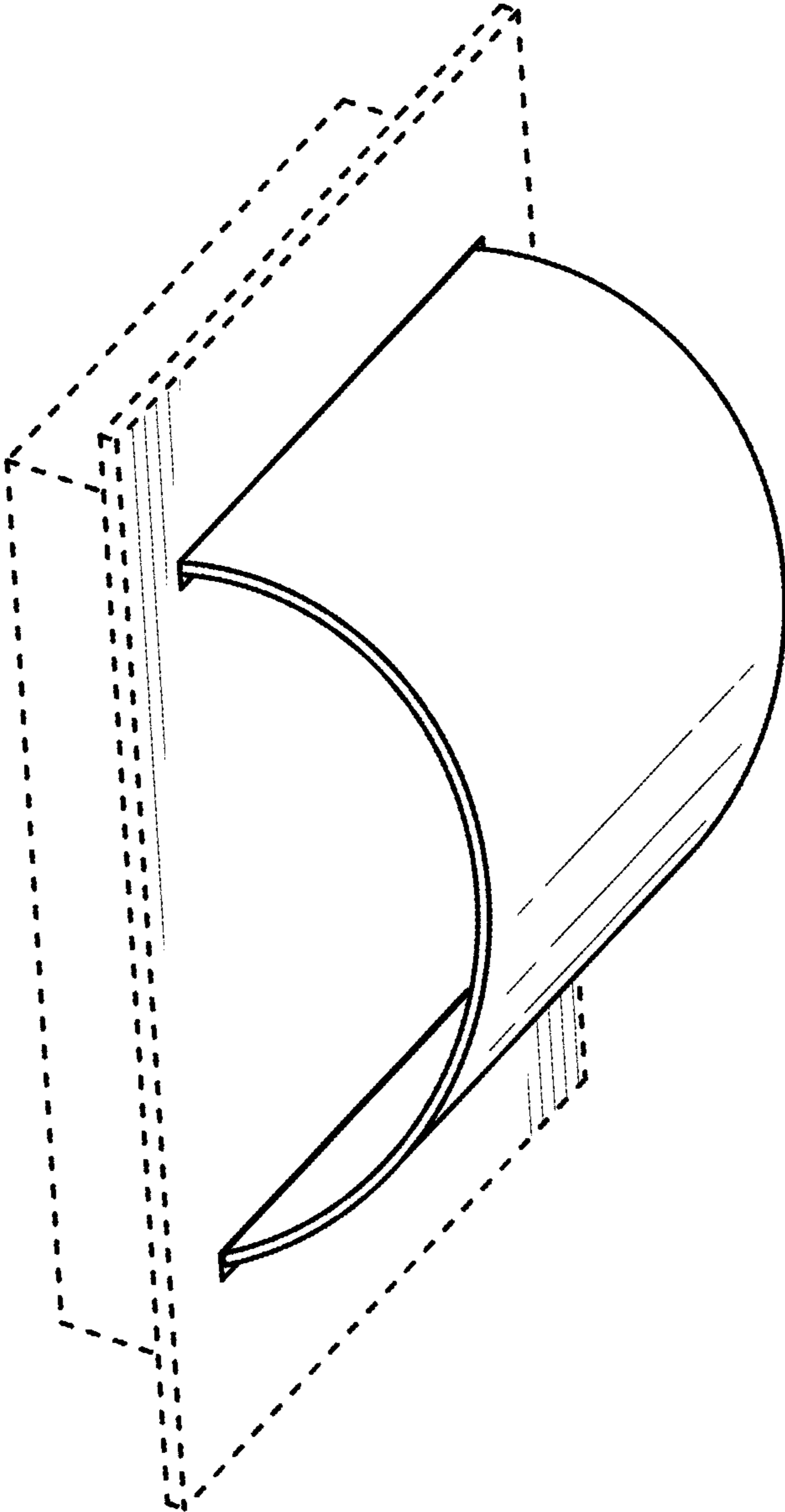


FIG. 11

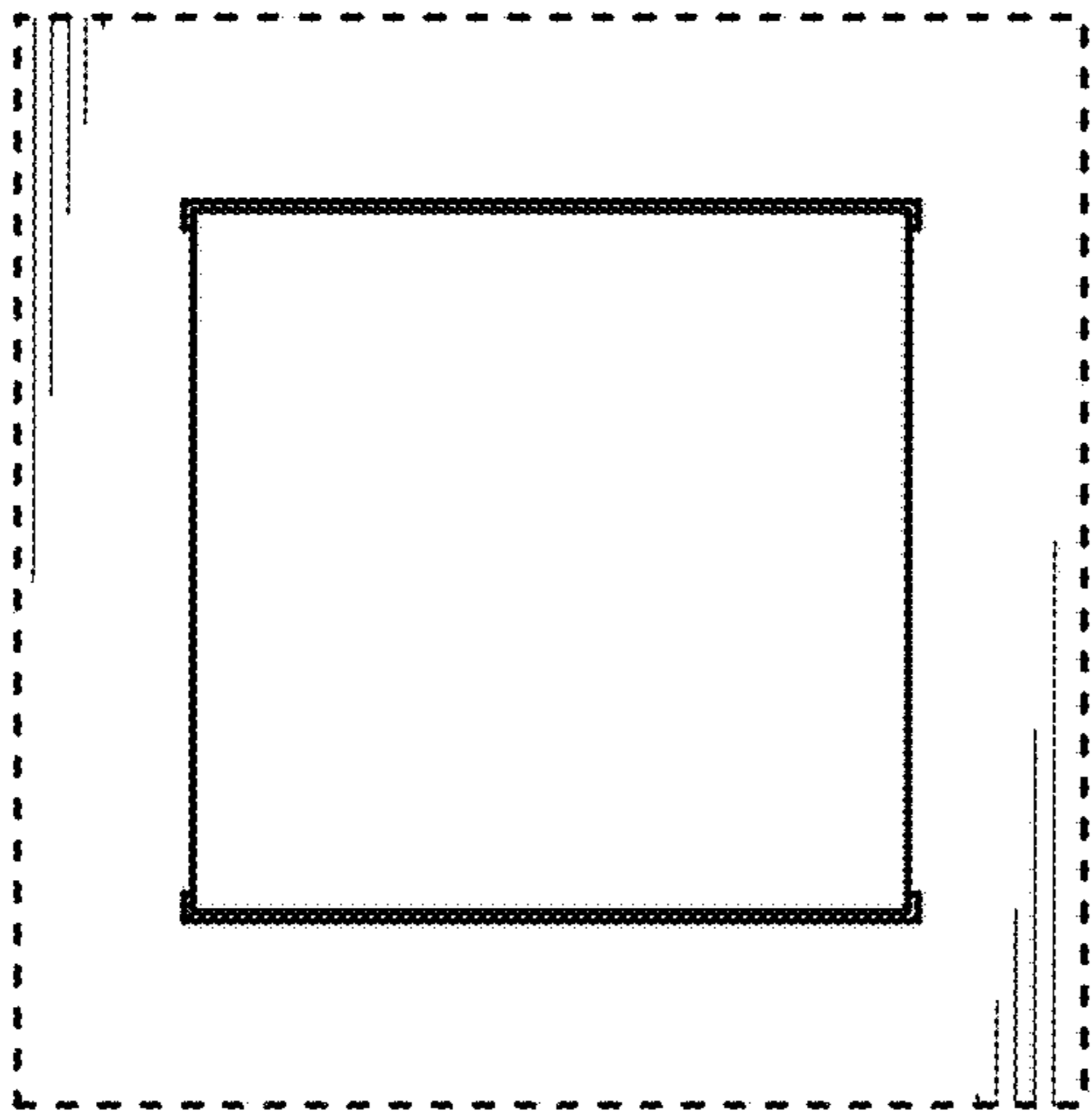


FIG. 12

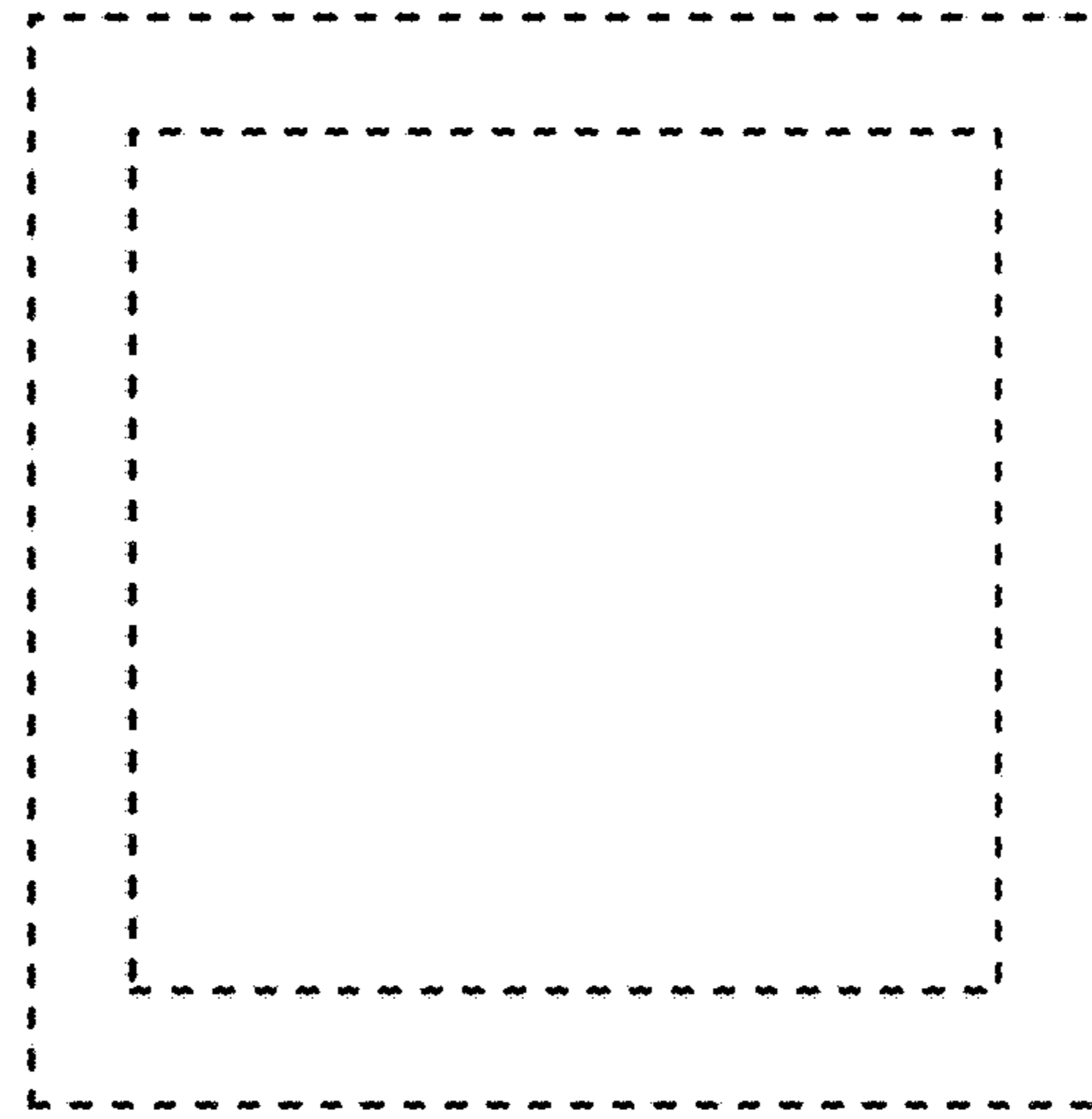


FIG. 13

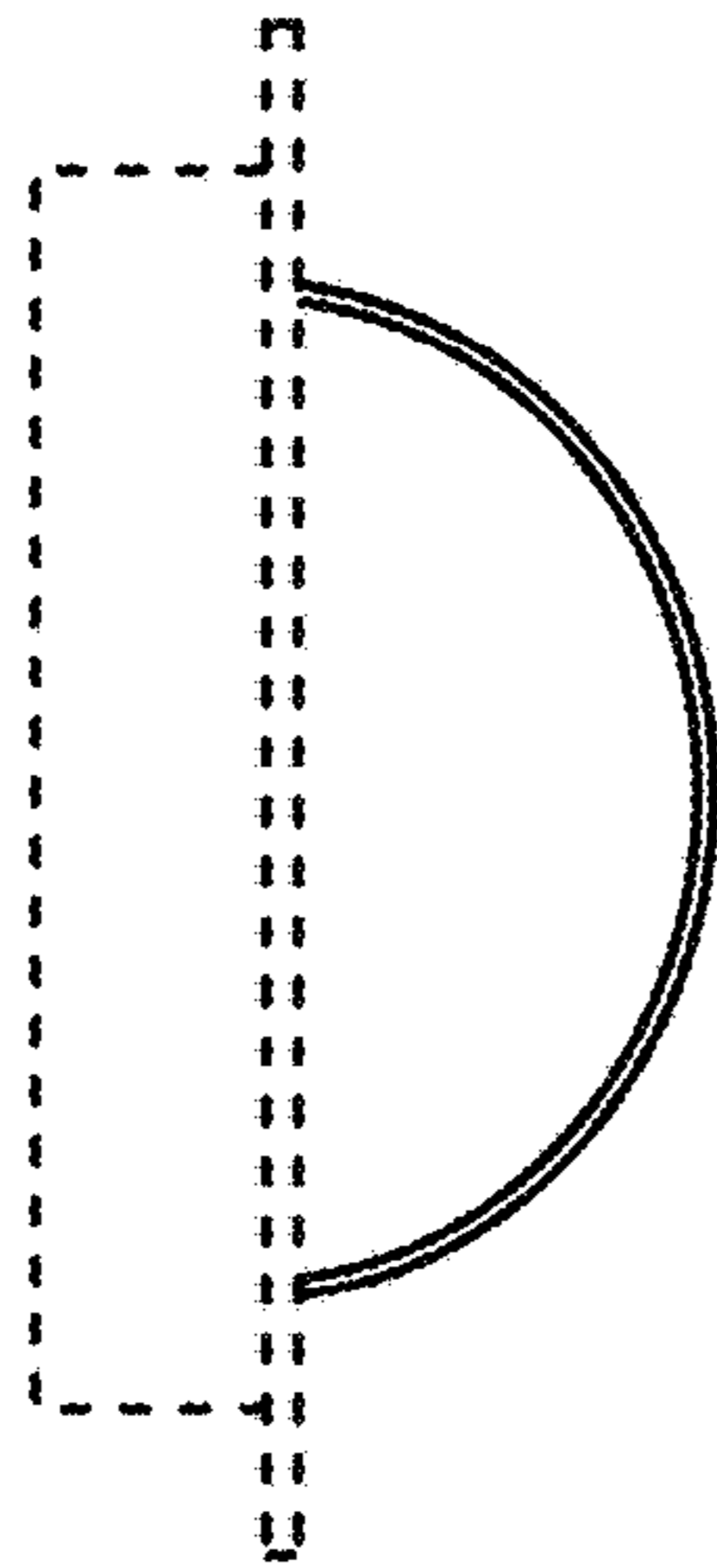


FIG. 14

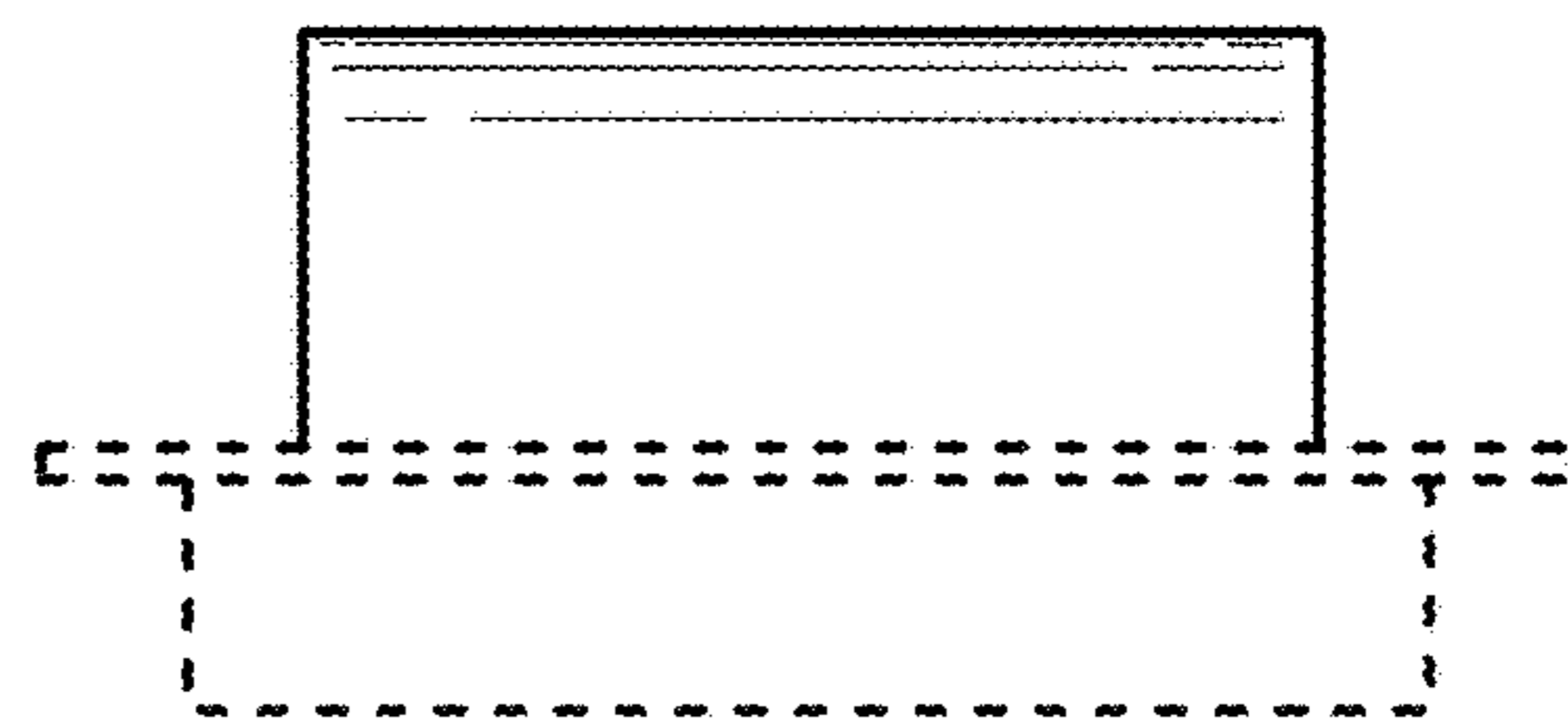


FIG. 15

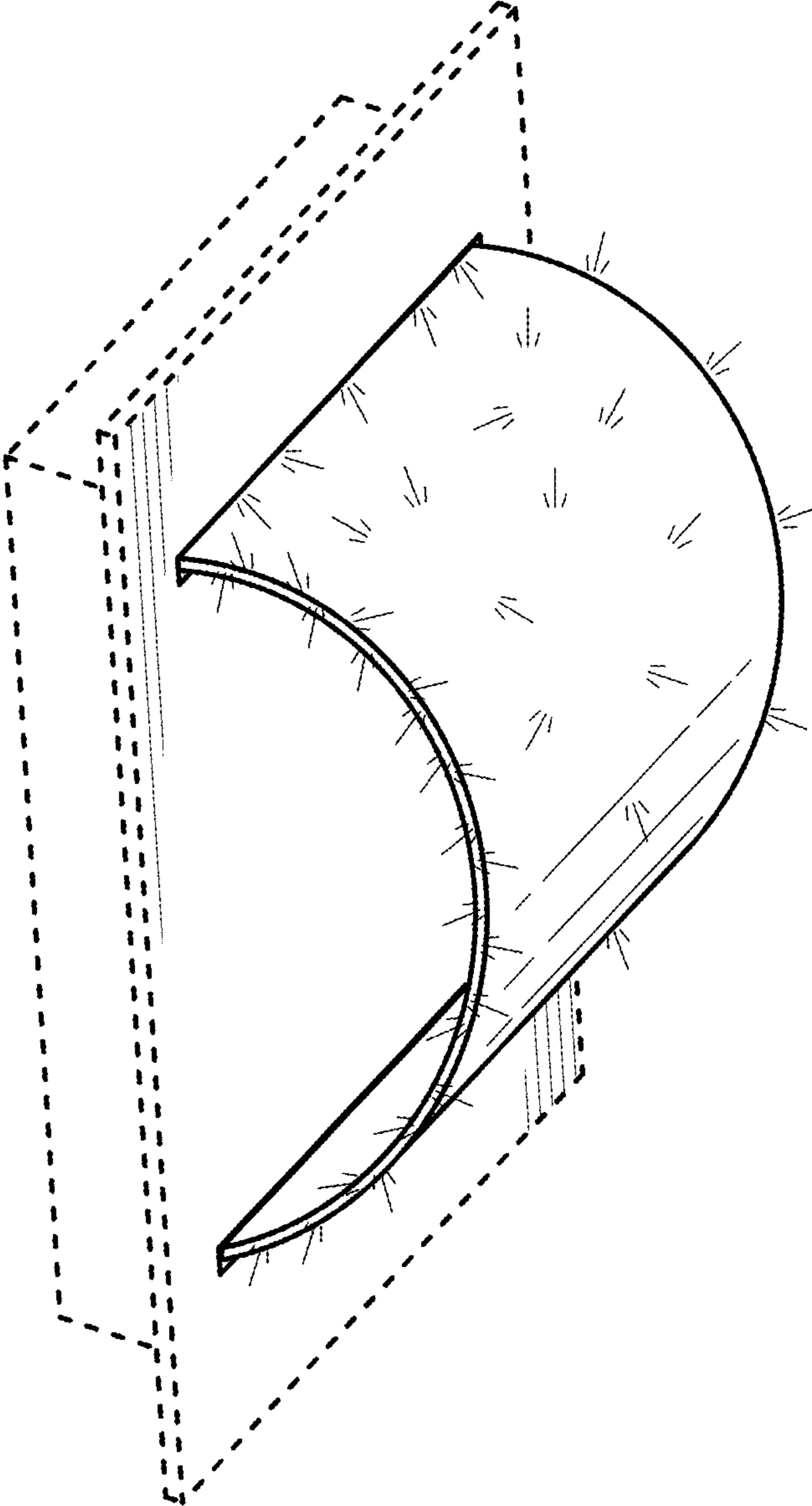


FIG. 16

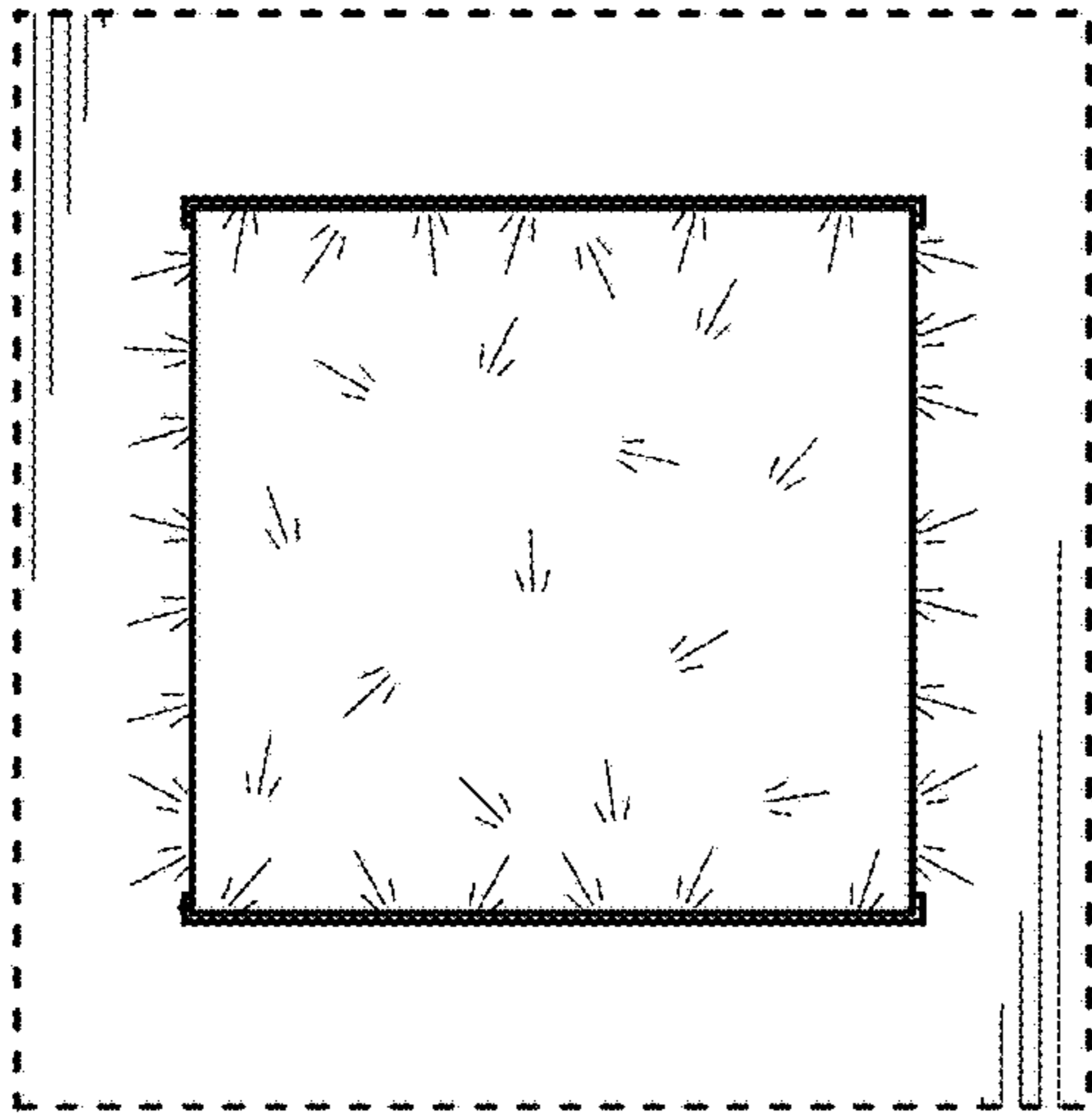


FIG. 17

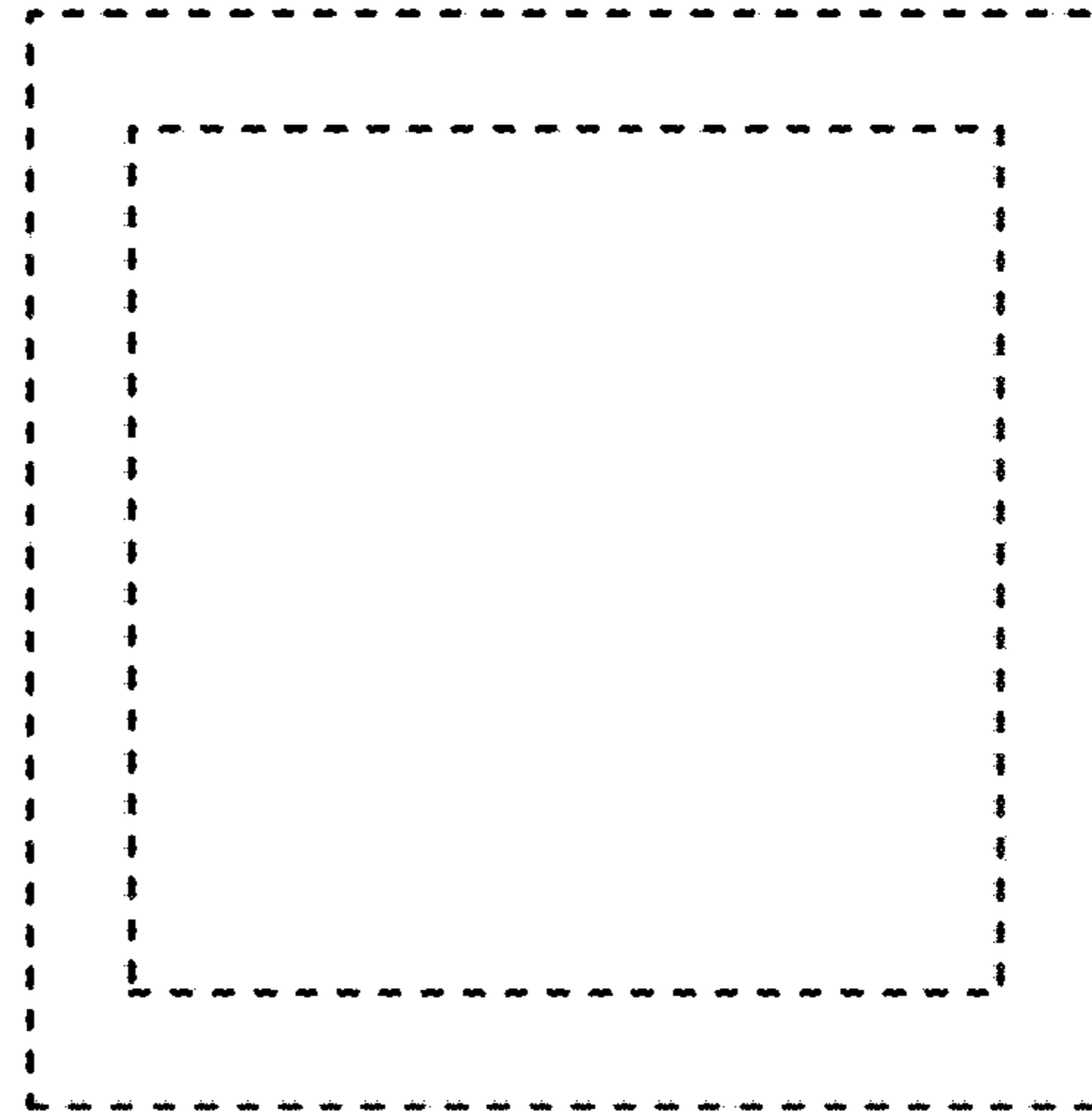


FIG. 18

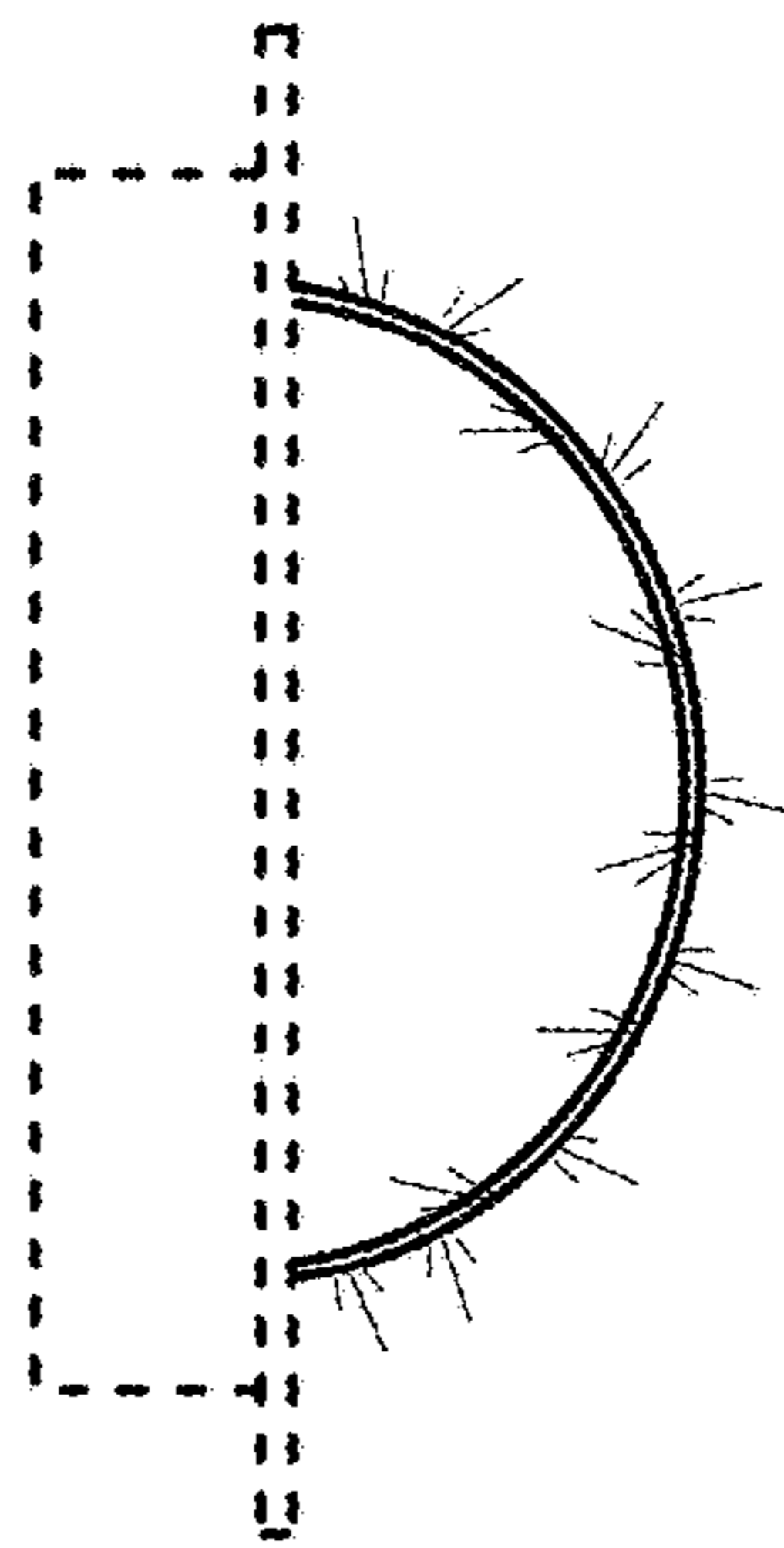


FIG. 19

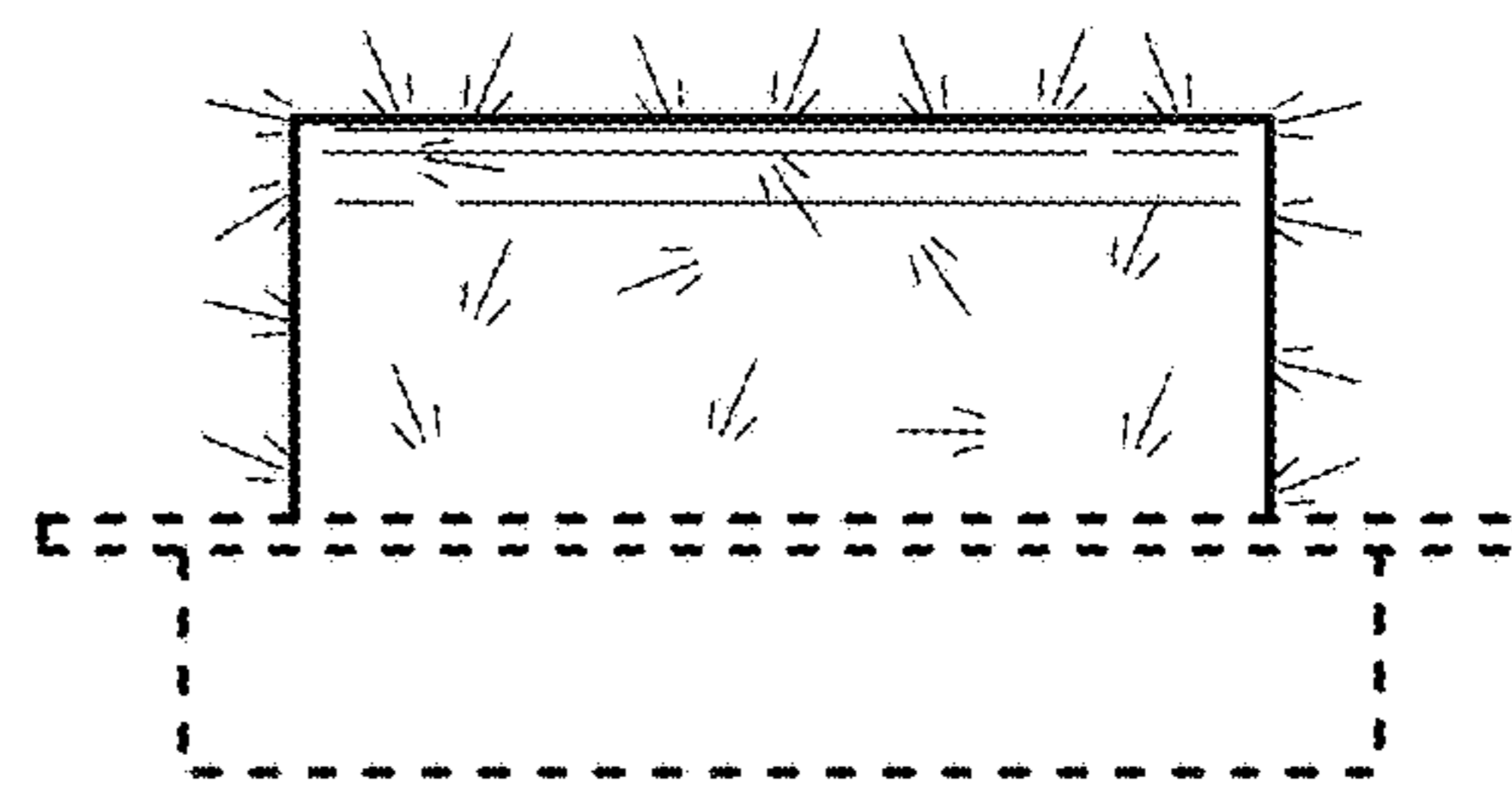


FIG. 20