

US00D866839S

(12) **United States Design Patent** (10) **Patent No.:** **US D866,839 S**  
**Yan** (45) **Date of Patent:** **\*\* Nov. 12, 2019**

(54) **SOLAR LIGHT**

(71) Applicant: **Wei Yan**, Zhejiang (CN)

(72) Inventor: **Wei Yan**, Zhejiang (CN)

(\*\*) Term: **15 Years**

(21) Appl. No.: **29/698,415**

(22) Filed: **Jul. 16, 2019**

(51) **LOC (12) Cl.** ..... **26-05**

(52) **U.S. Cl.**  
USPC ..... **D26/67**

(58) **Field of Classification Search**  
USPC ..... D26/67-70  
CPC .. F21S 8/081; F21S 8/083; F21S 8/088; F21S 8/032; F21S 9/037; F21V 3/023; F21V 21/0824; F21W 2111/023; F21W 2131/109

See application file for complete search history.

(56) **References Cited**

**U.S. PATENT DOCUMENTS**

D605,326 S	*	12/2009	Sanoner	.....	D26/68
D616,129 S	*	5/2010	Sanoner	.....	D26/67
D642,722 S	*	8/2011	Oberpriller	.....	D26/67
D698,061 S	*	1/2014	Burke	.....	D26/67
D822,253 S	*	7/2018	Wu	.....	D26/68
D829,357 S		9/2018	Chen		
D834,515 S	*	11/2018	Zhang	.....	D13/102
D834,736 S		11/2018	Liu		

D836,811 S	*	12/2018	Shundong	.....	D26/67
D841,873 S	*	2/2019	Hollinger	.....	D26/118
D841,879 S	*	2/2019	Hollinger	.....	D26/142
D844,212 S		3/2019	Chen		
2017/0159927 A1	*	6/2017	Hui	.....	F21V 31/00
2019/0128486 A1	*	5/2019	Hollinger	.....	F21L 4/04

**OTHER PUBLICATIONS**

Solmore Solar Ground Lights Outdoor, at amazon.com Apr. 12, 2019. (Year: 2019).\*  
Solar Garden Lights, 20 LED Waterproof Solar Garden Disk Lights with Light Sensor sold by OKing at amazon.com Jul. 28, 2019. (Year: 2019).\*

\* cited by examiner

*Primary Examiner* — Clare E Heflin

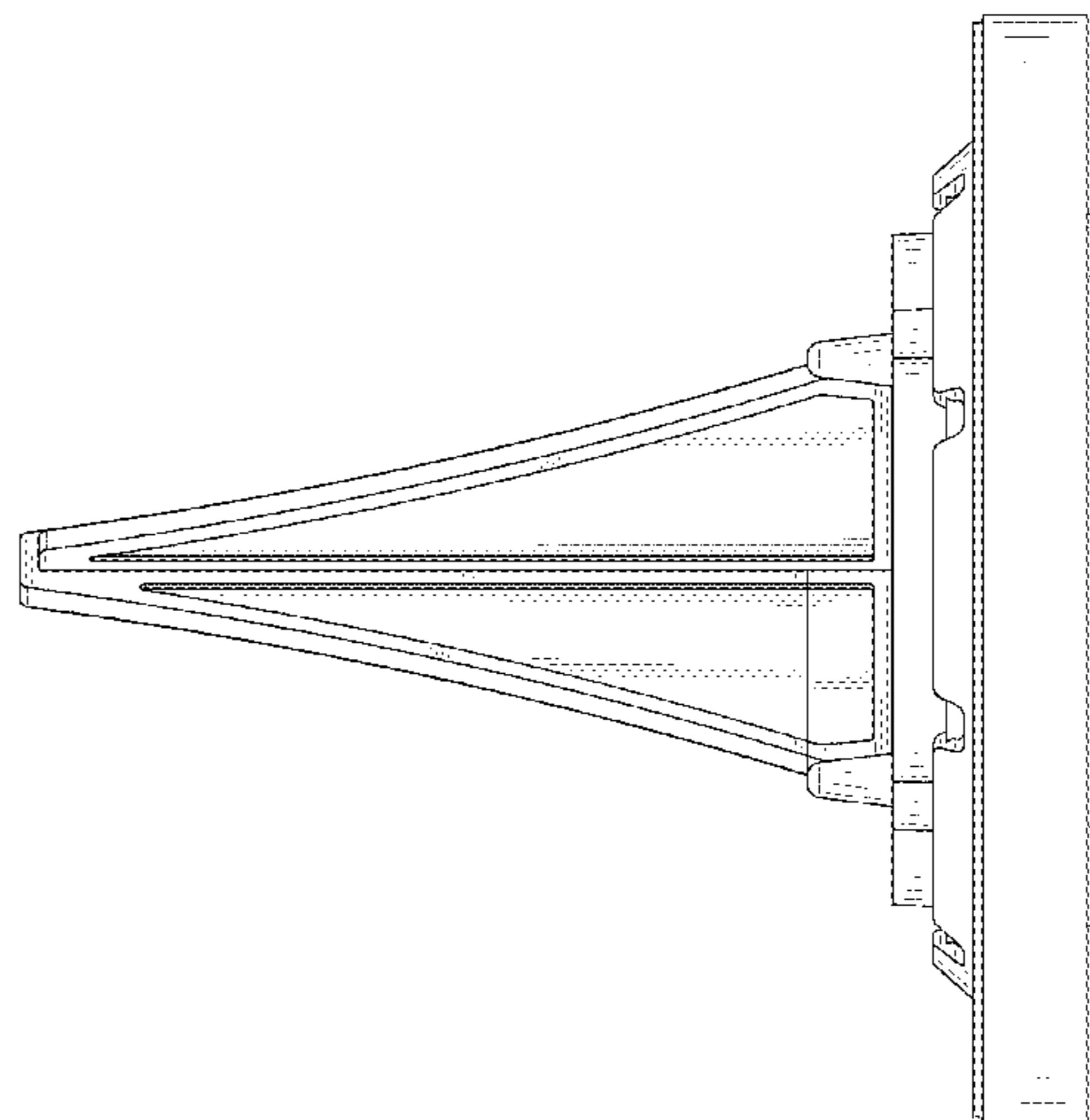
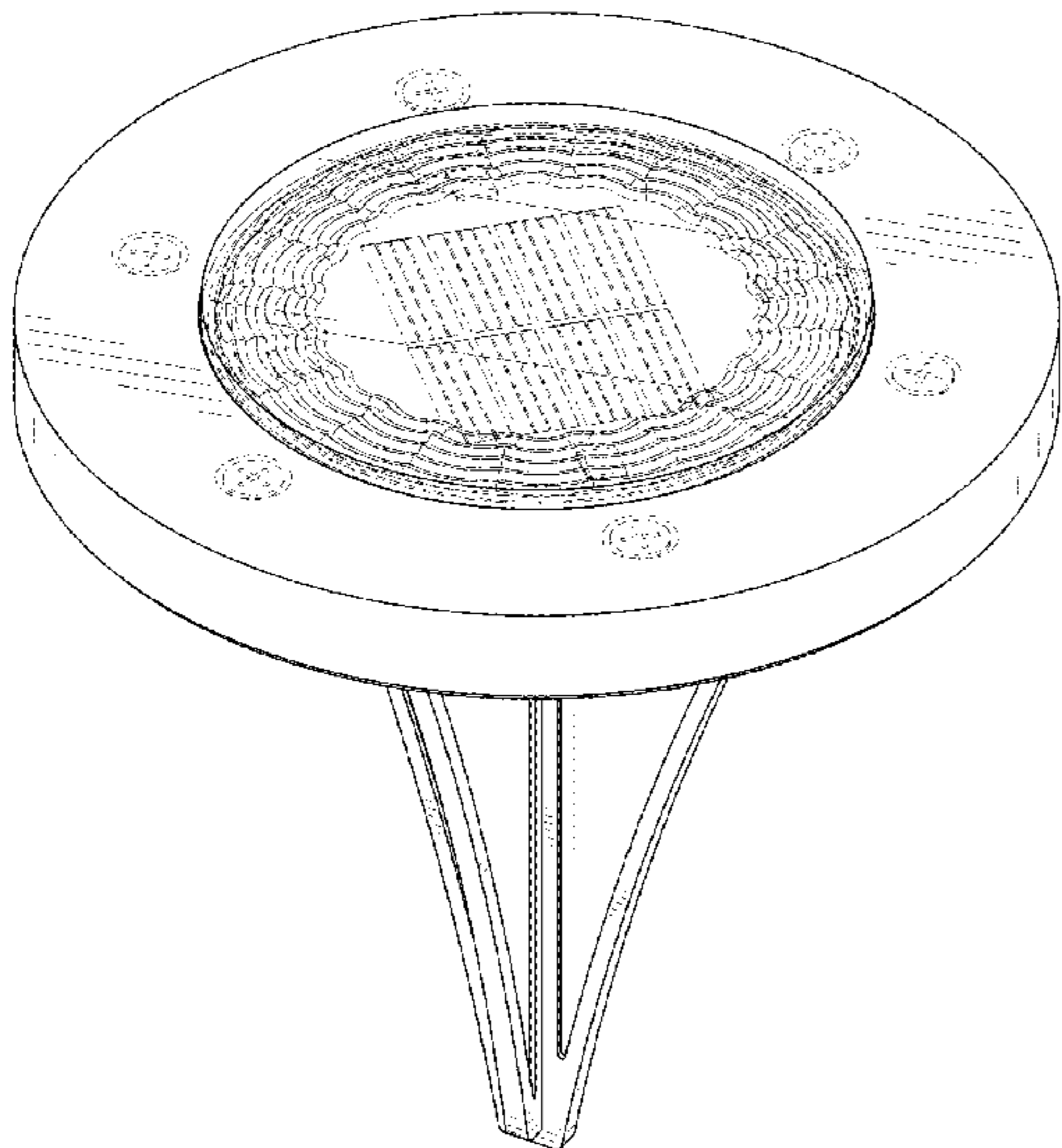
(57) **CLAIM**

The ornamental design for a solar light, as shown and described.

**DESCRIPTION**

FIG. 1 is a front perspective view of a solar light, showing my new design;  
FIG. 2 is a back perspective view thereof;  
FIG. 3 is a front view thereof;  
FIG. 4 is a back view thereof;  
FIG. 5 is a left side view thereof;  
FIG. 6 is a right side view thereof;  
FIG. 7 is a top view thereof; and,  
FIG. 8 is a bottom view thereof.  
The broken lines in the figures illustrate portions of the solar light that form no part of the claimed design.

**1 Claim, 8 Drawing Sheets**



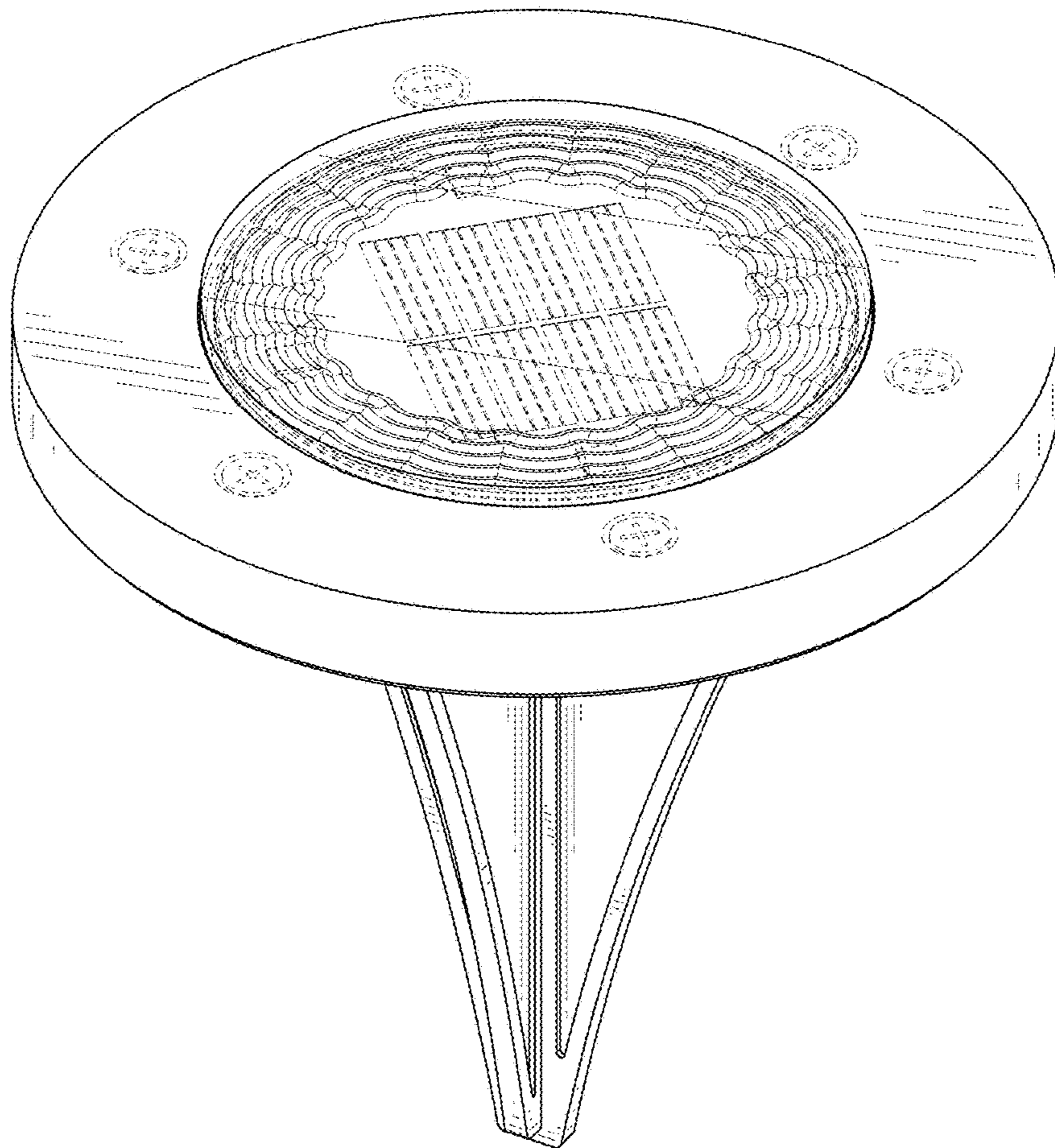


FIG. 1

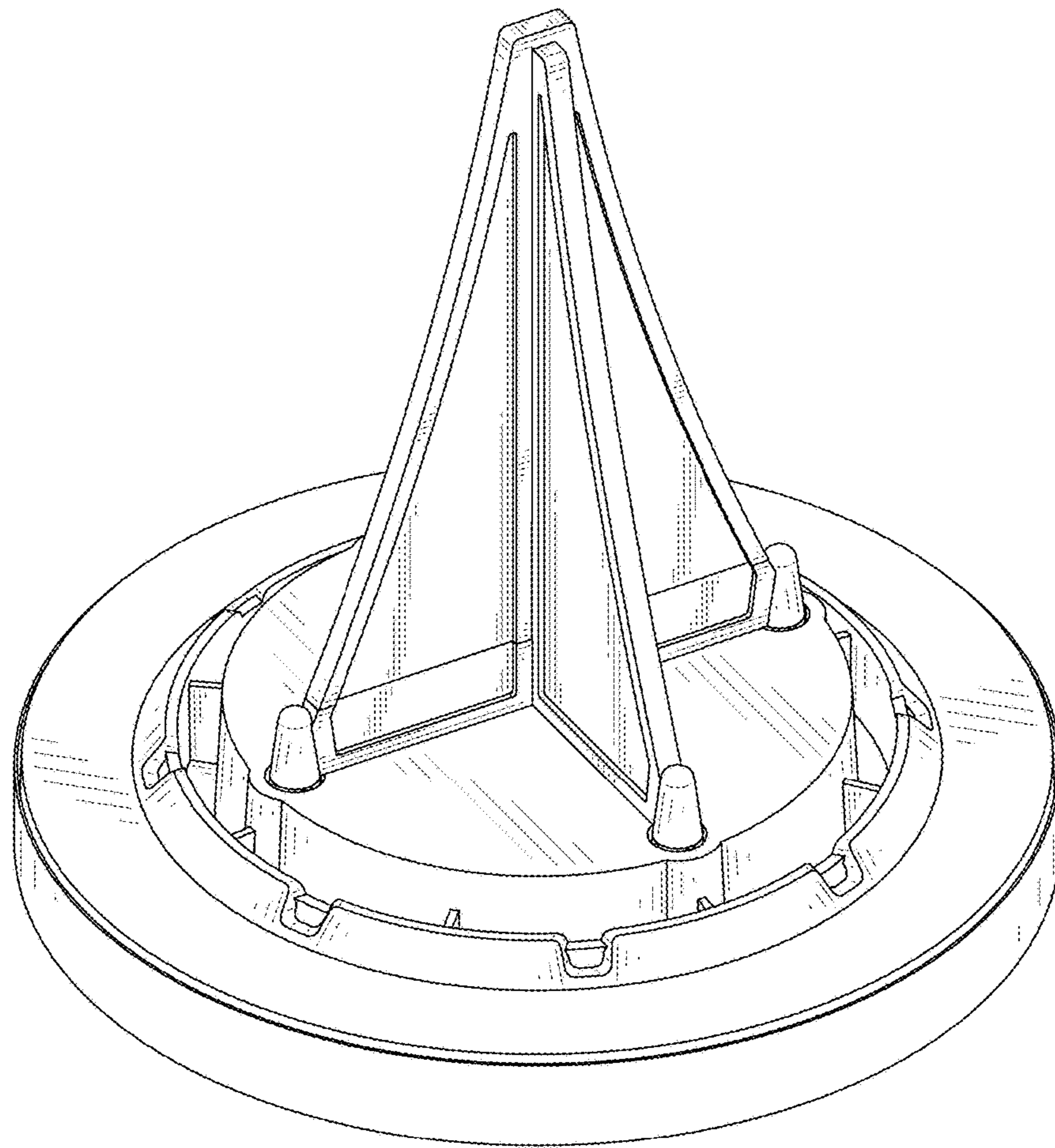


FIG. 2

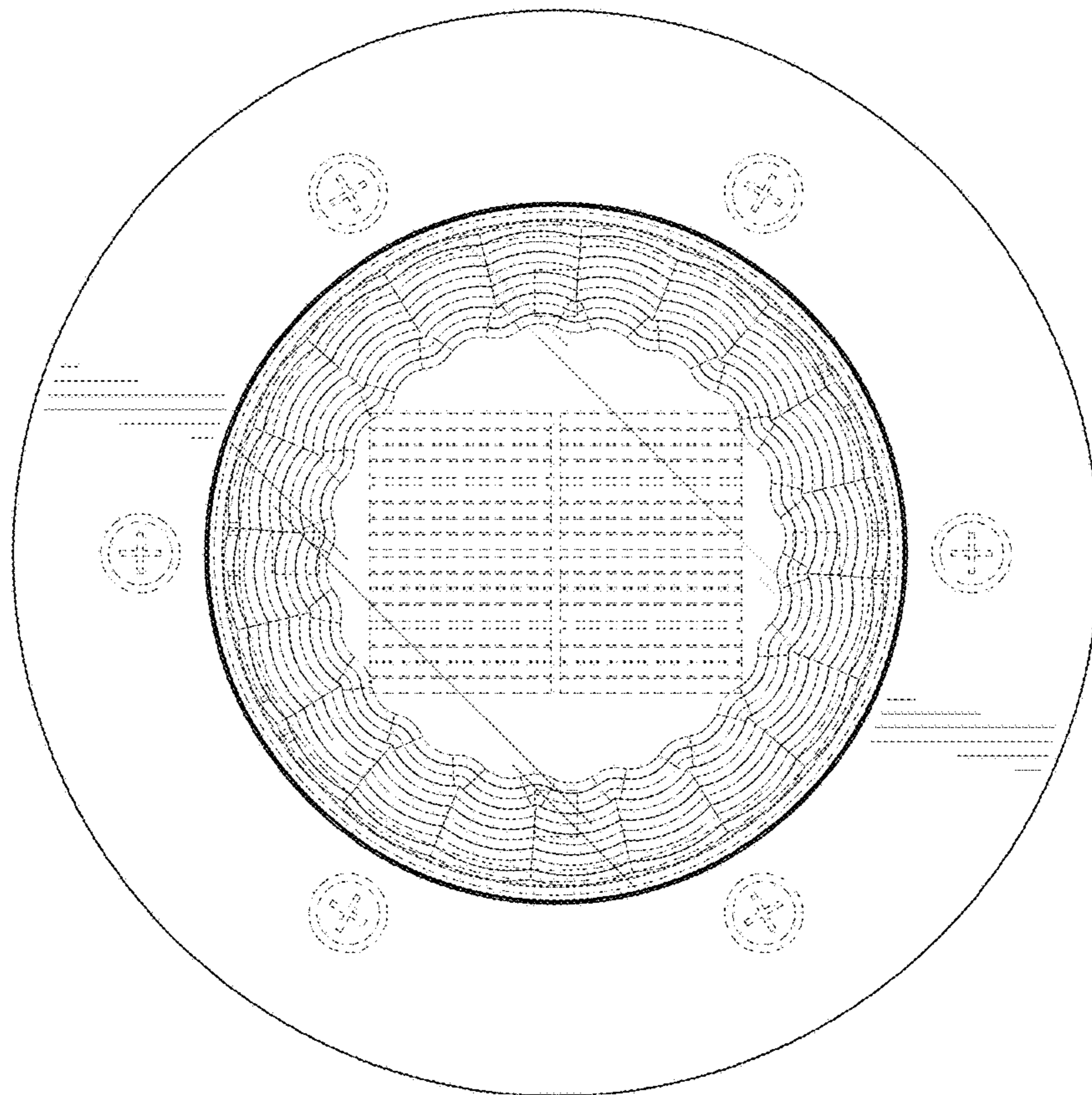


FIG. 3

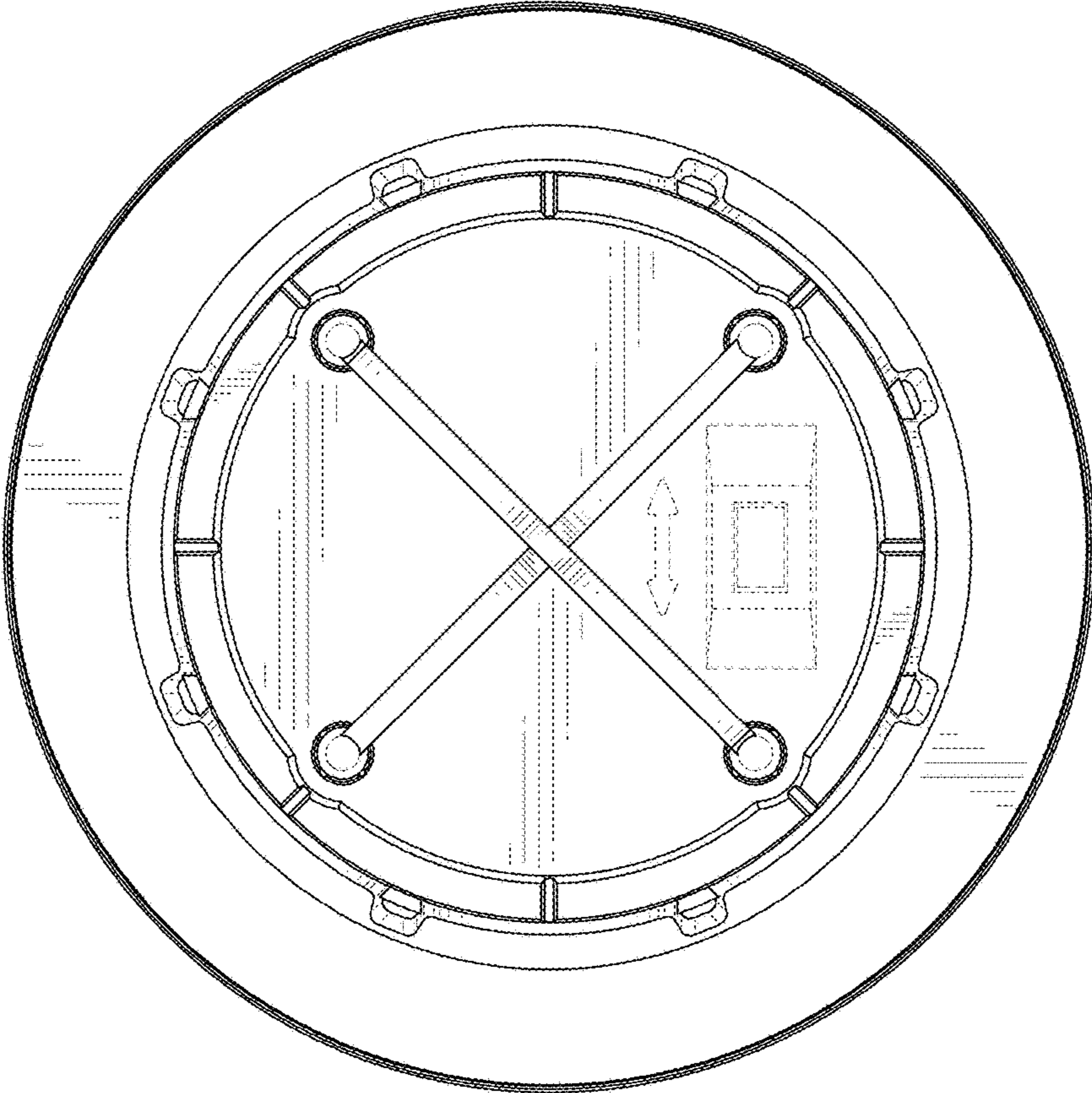


FIG. 4

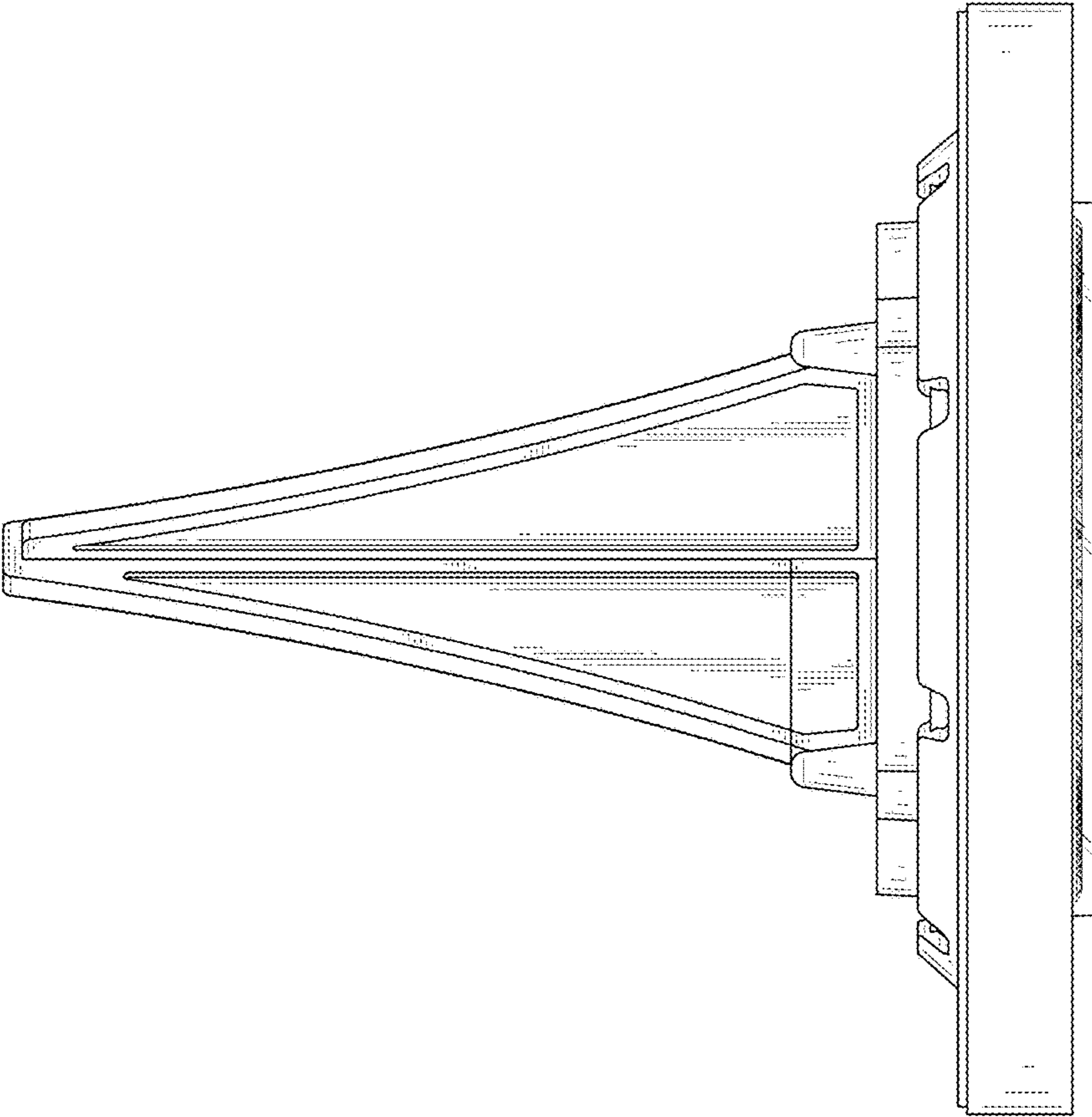


FIG. 5

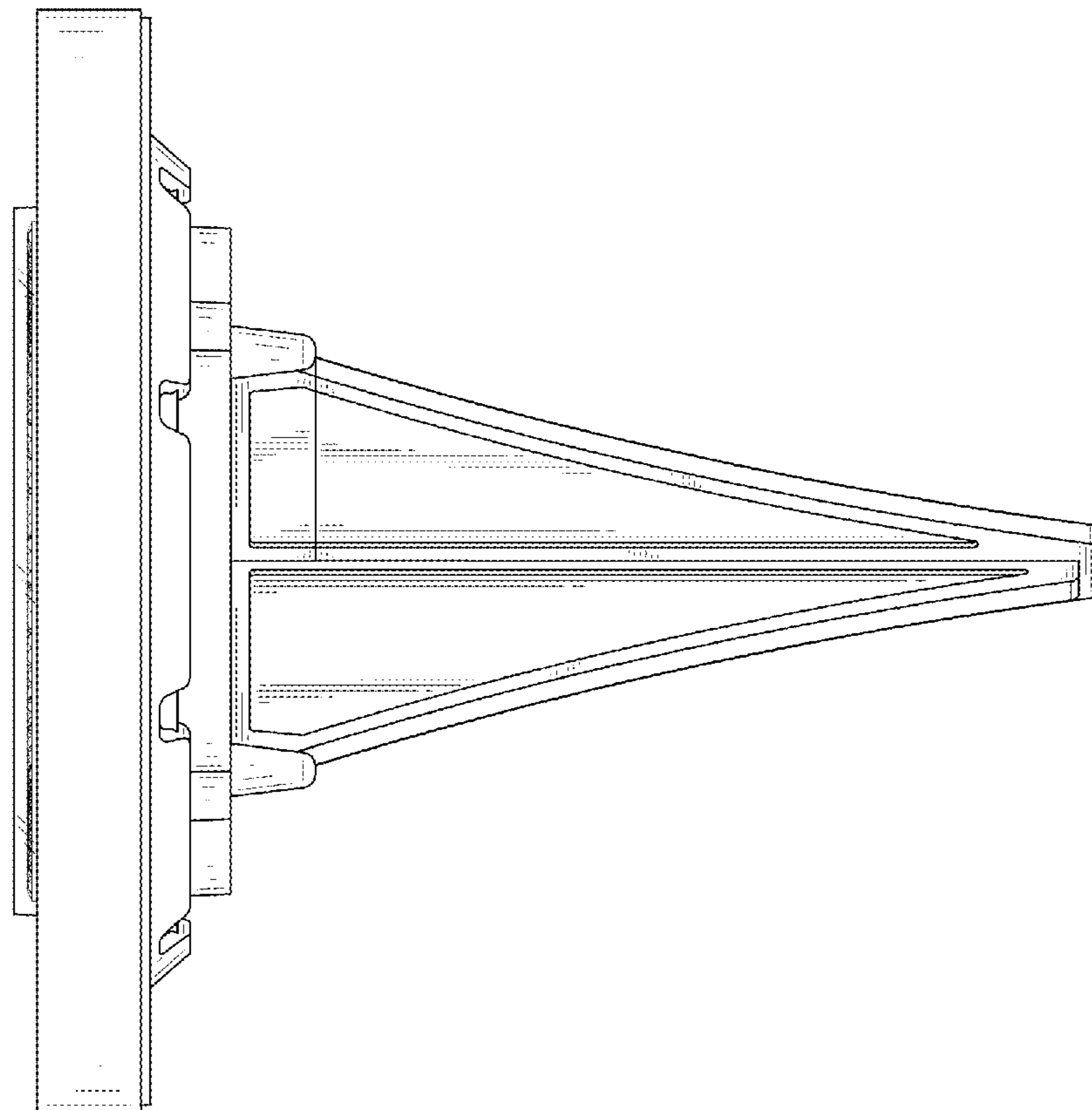


FIG. 6

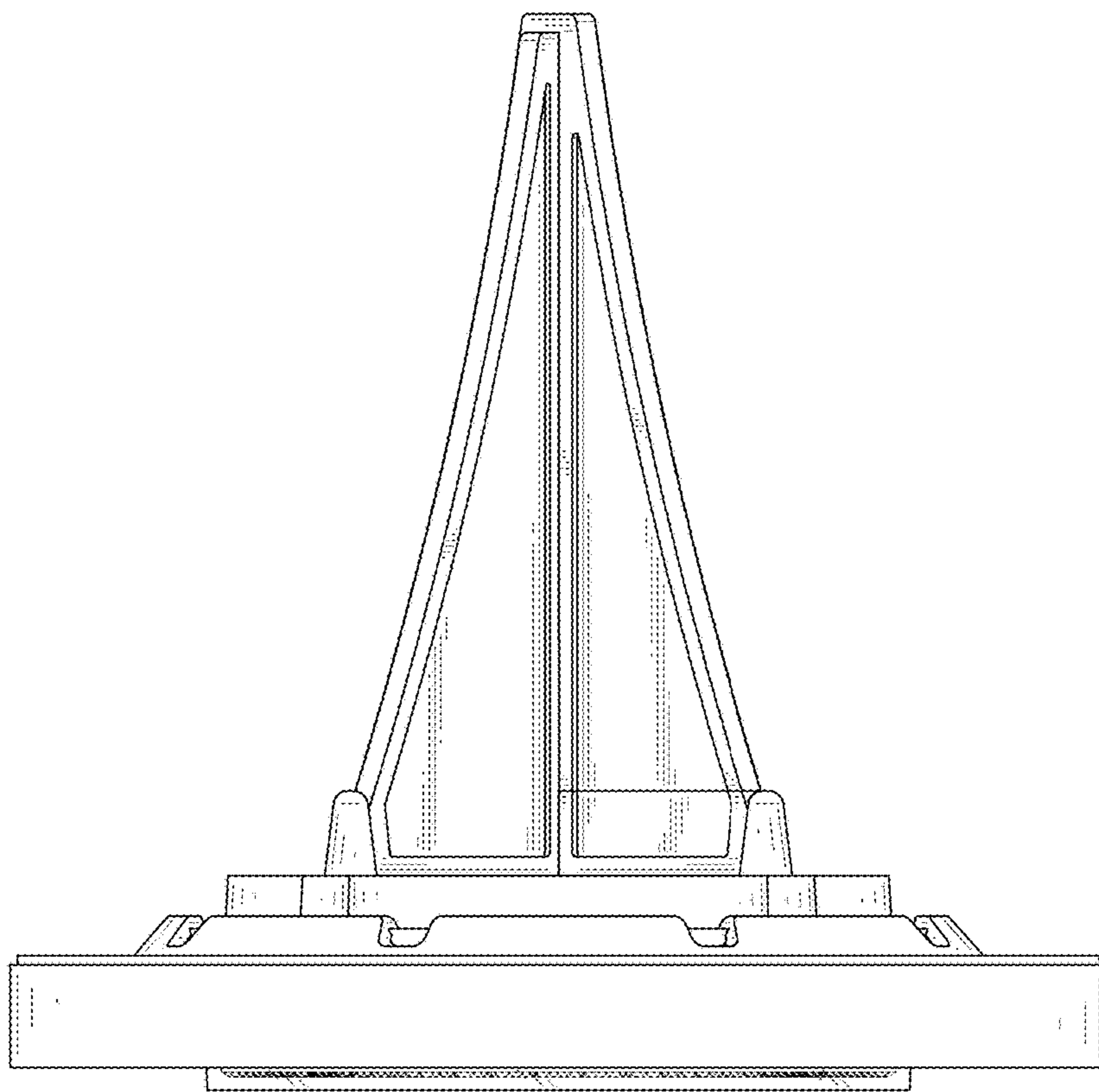


FIG. 7



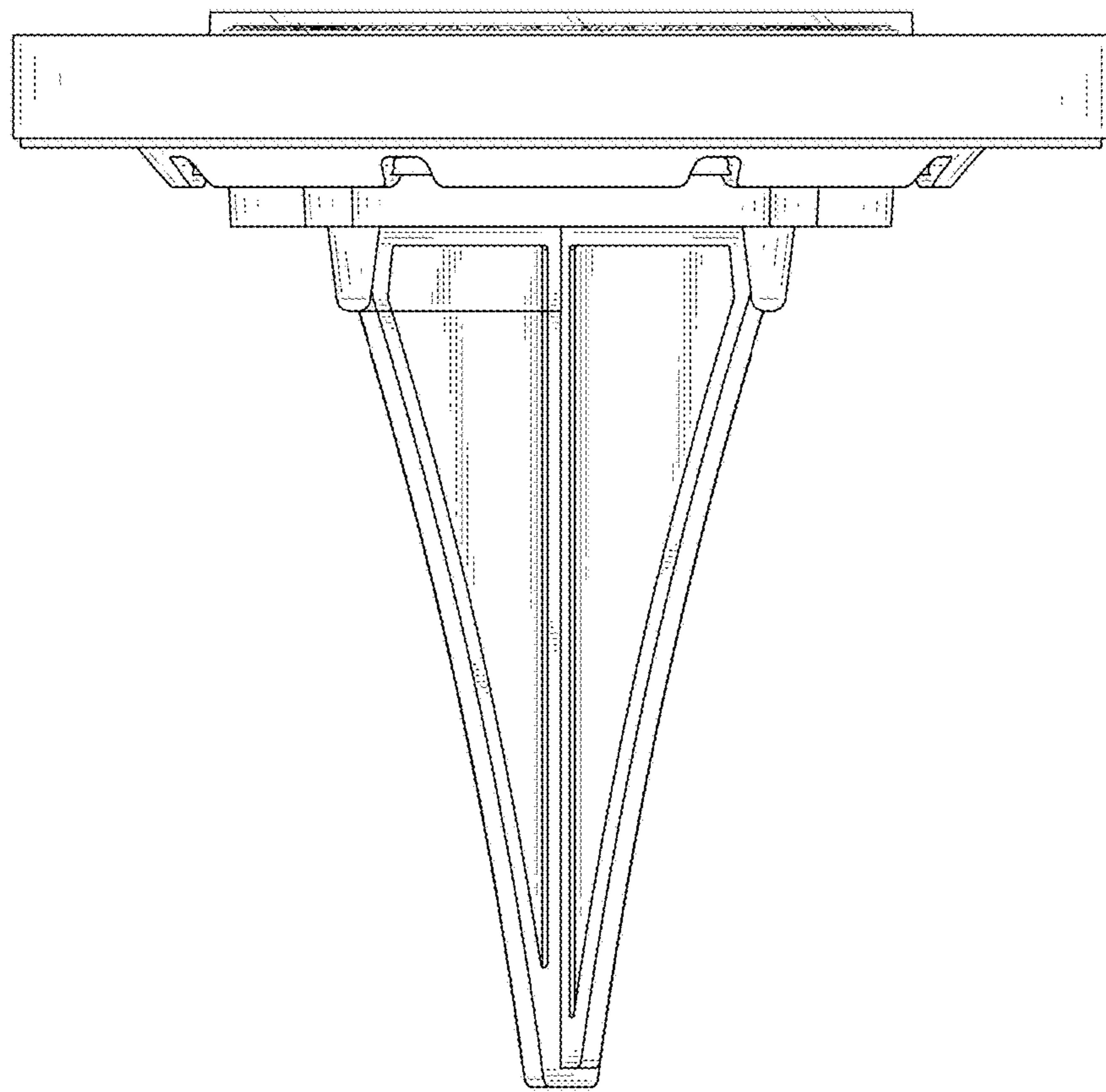


FIG. 8