

US00D866837S

(12) **United States Design Patent** (10) **Patent No.:** **US D866,837 S**
Subramanian et al. (45) **Date of Patent:** **** Nov. 12, 2019**

(54) **LIGHTING UNIT**

CPC F21V 21/14; F21V 15/01; F21V 14/02;
 F21V 21/30; F21V 21/00; F21V 14/00;
 F21S 8/00; F21S 8/003; F21S 8/043;
 F21Y 2105/001; F04B 39/042
 See application file for complete search history.

(71) Applicant: **Eaton Intelligent Power Limited**,
Dublin (IE)

(72) Inventors: **Parthiban Subramanian**, Soest (DE);
Jens Burmeister, Eberbach (DE)

(73) Assignee: **Eaton Intelligent Power Limited**,
Dublin (IE)

(**) Term: **15 Years**

(21) Appl. No.: **29/684,840**

(22) Filed: **Mar. 25, 2019**

Related U.S. Application Data

(62) Division of application No. 29/612,017, filed on Jul.
27, 2017, now Pat. No. Des. 844,209.

(30) **Foreign Application Priority Data**

Jan. 27, 2017 (EM) 003718527-0001
 Jan. 27, 2017 (EM) 003718527-0002
 Jan. 27, 2017 (EM) 003718527-0003
 Jan. 27, 2017 (EM) 003718527-0004

(51) **LOC (12) Cl.** **26-03**

(52) **U.S. Cl.**
USPC **D26/63**

(58) **Field of Classification Search**
USPC D26/1, 24, 61, 63, 65, 85, 92, 138

(56) **References Cited**

U.S. PATENT DOCUMENTS

D799,729 S * 10/2017 Zhong D26/63
 D819,857 S * 6/2018 Kotovsky D26/63
 D821,013 S * 6/2018 Mizobe D26/63

* cited by examiner

Primary Examiner — Brian N. Vinson

(74) *Attorney, Agent, or Firm* — Stinson LLP

(57) **CLAIM**

The ornamental design for a lighting unit, as shown and described.

DESCRIPTION

FIG. 1 is a front perspective of a lighting unit;
 FIG. 2 is a rear perspective of the lighting unit of FIG. 1;
 FIG. 3 is a front view of the lighting unit of FIG. 1;
 FIG. 4 is a rear view of the lighting unit of FIG. 1;
 FIG. 5 is a top plan view of the lighting unit of FIG. 1; and,
 FIG. 6 is a right side view of the lighting unit of FIG. 1, the
 left side view being a mirror image thereof.
 The drawings are executed in grayscale.

1 Claim, 6 Drawing Sheets

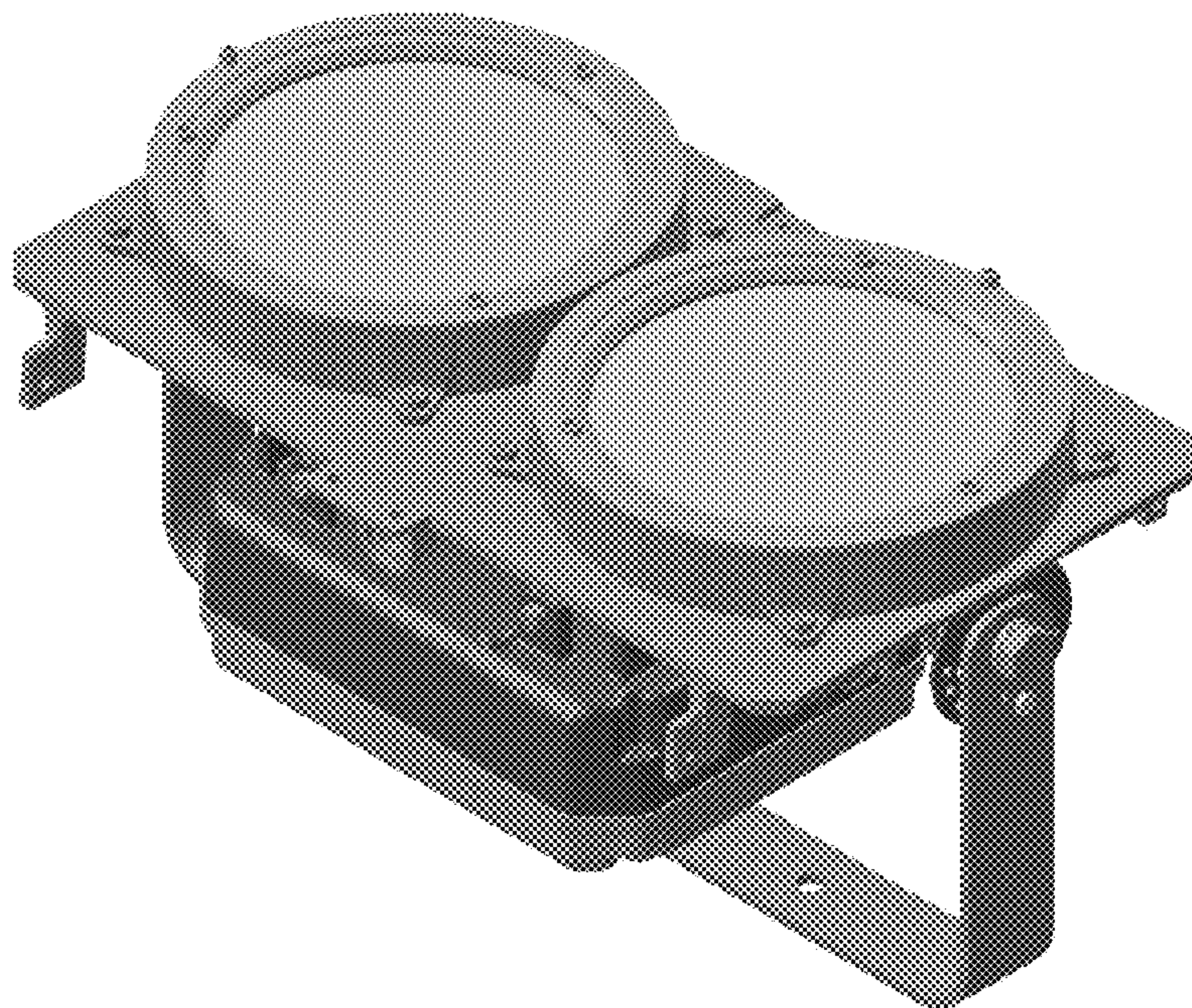


FIG. 1

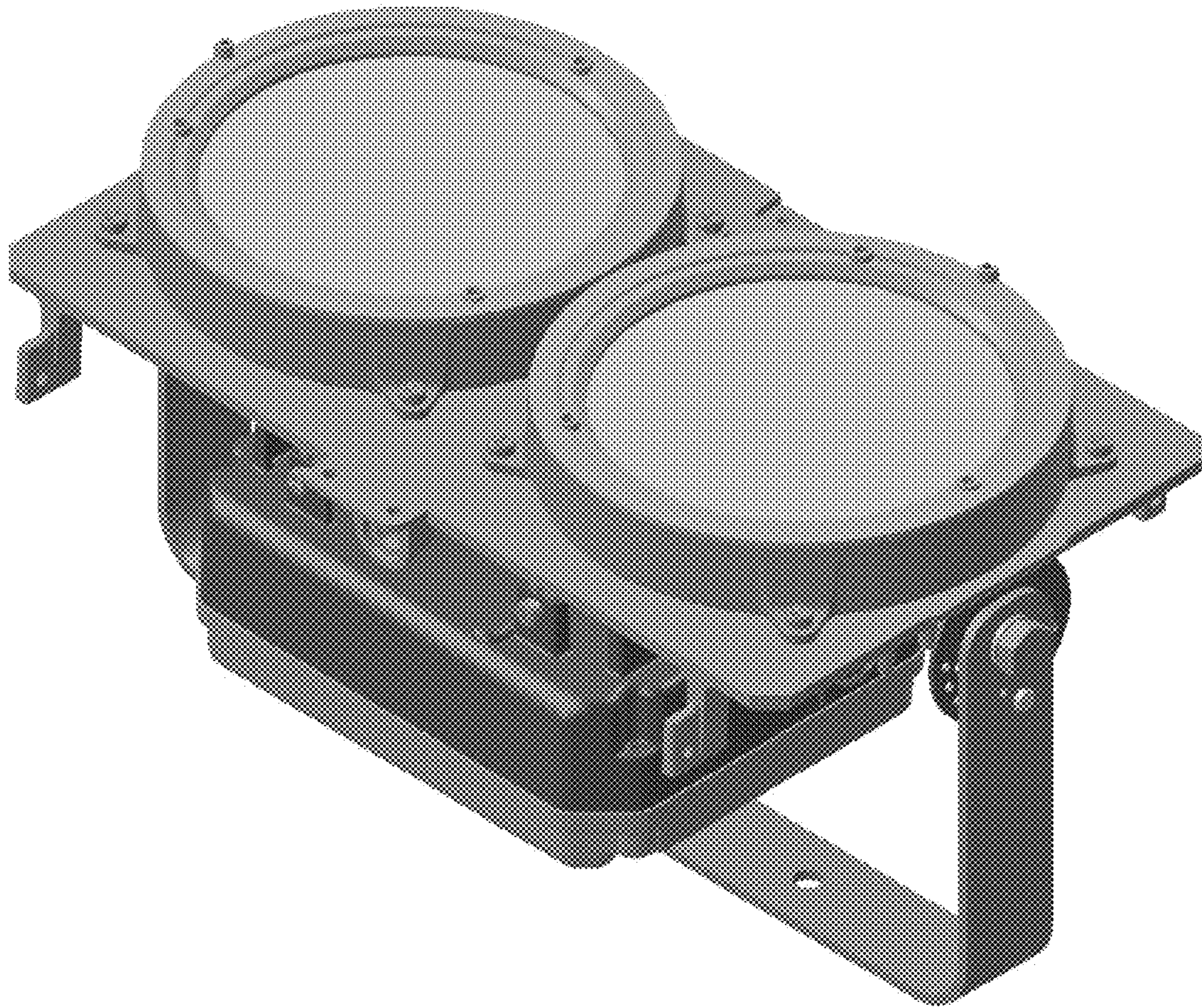


FIG. 2

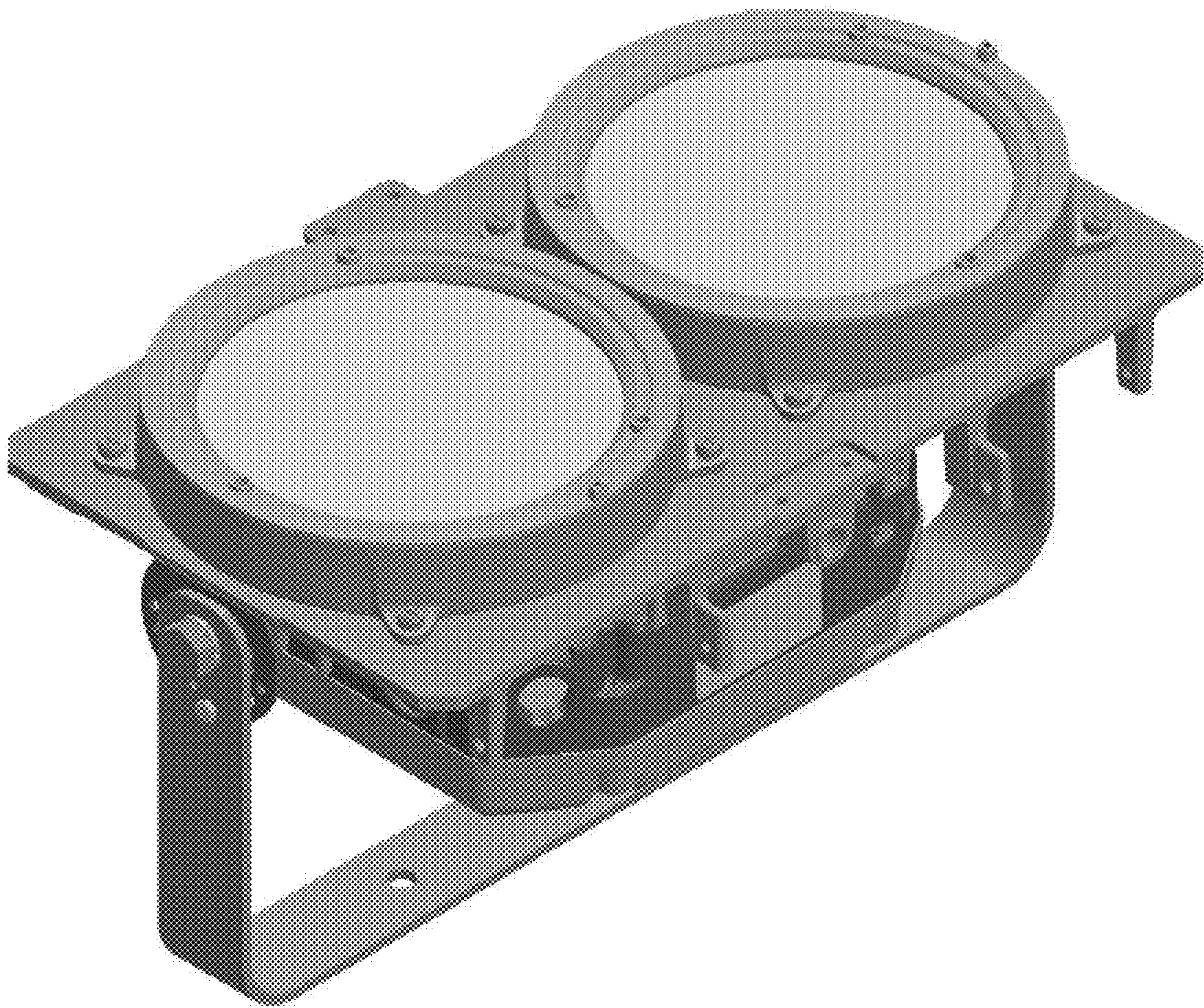


FIG. 3

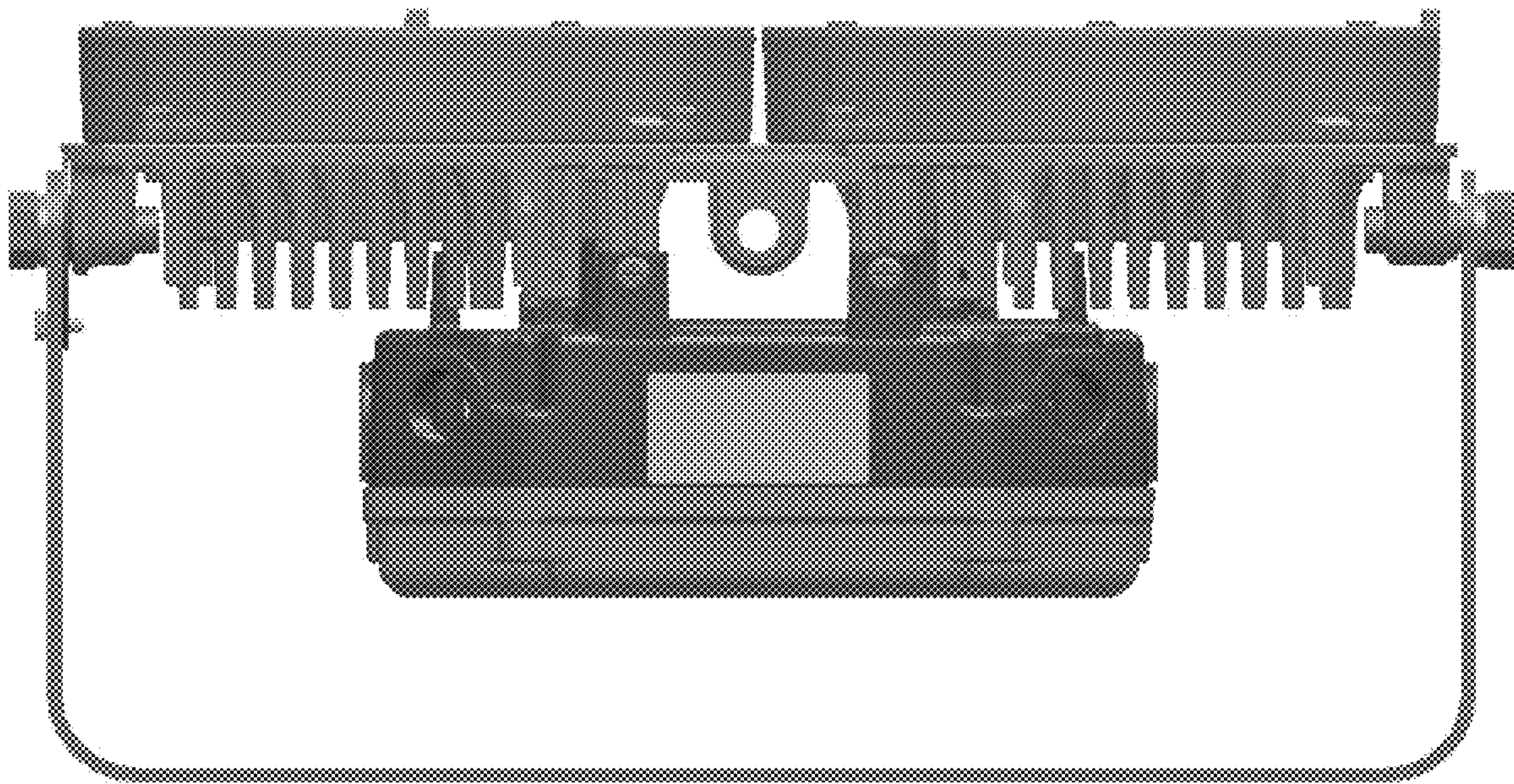


FIG. 4

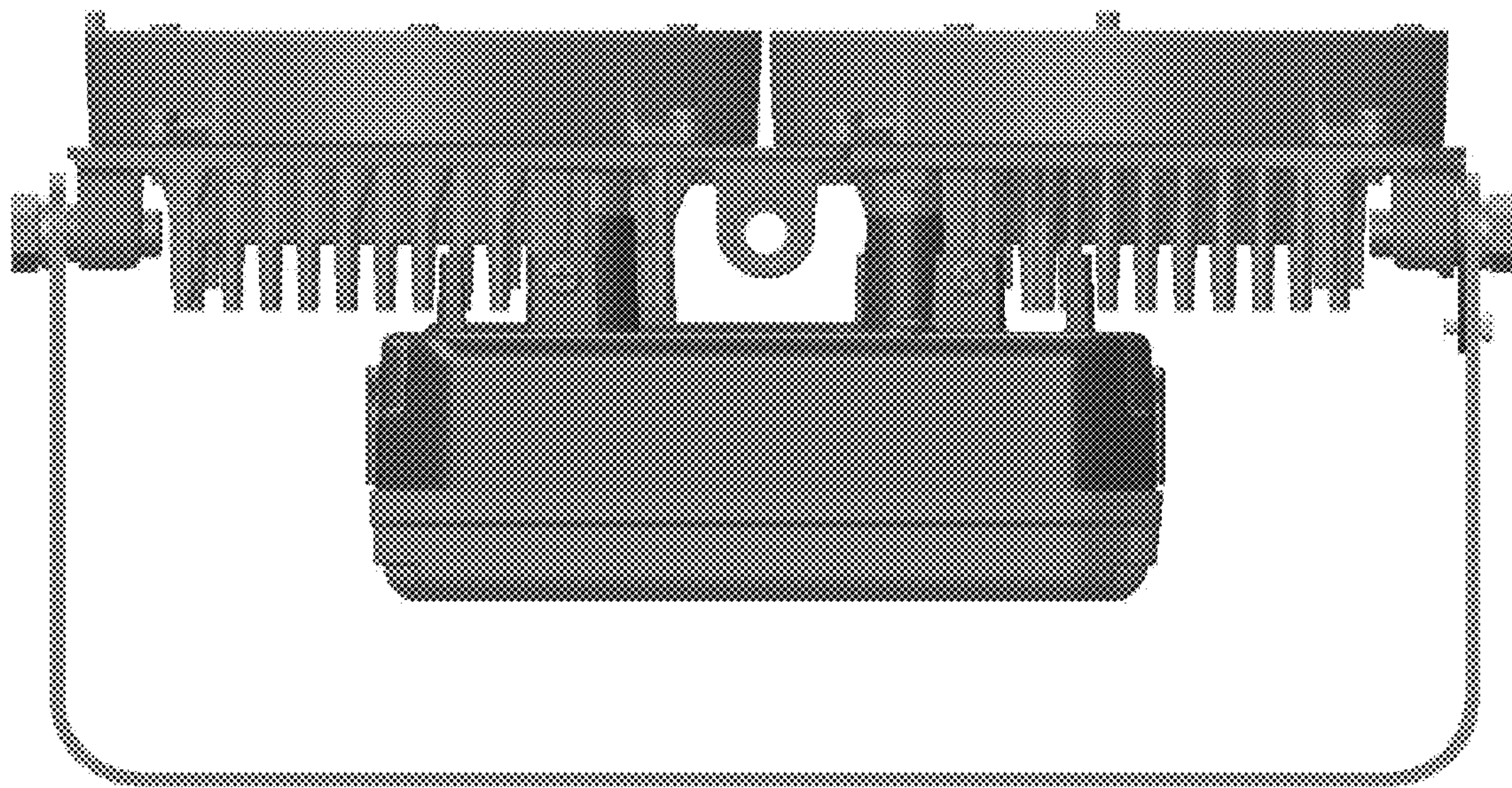


FIG. 5

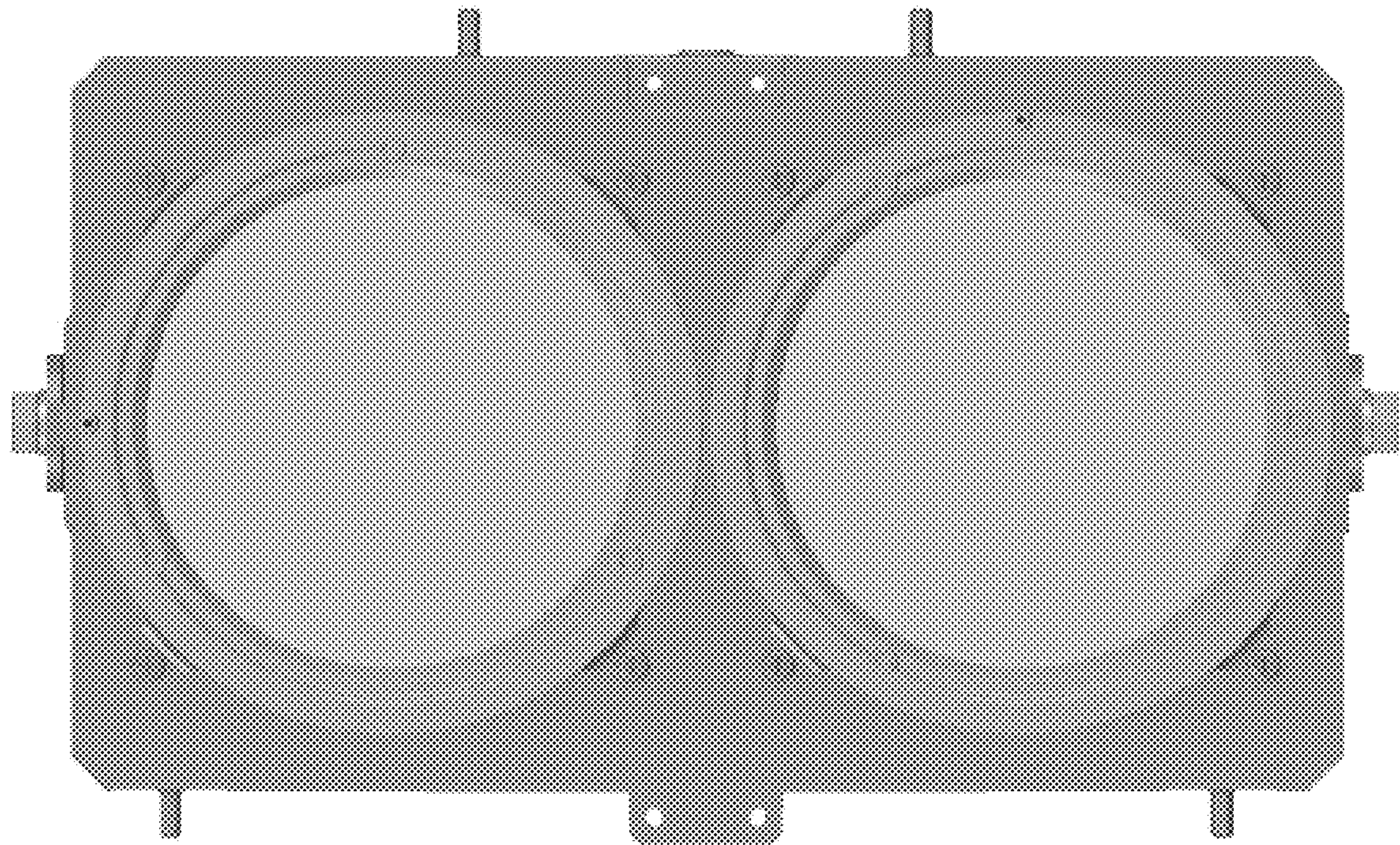


FIG. 6

