

US00D866836S

(12) **United States Design Patent**  
**Ji**

(10) **Patent No.:** **US D866,836 S**

(45) **Date of Patent:** **\*\* Nov. 12, 2019**

(54) **OUTDOOR LAWN LANDSCAPE LAMP**

(71) Applicant: **Shaoqi Ji**, Hunan (CN)

(72) Inventor: **Shaoqi Ji**, Hunan (CN)

(\*\*) Term: **15 Years**

(21) Appl. No.: **29/657,424**

(22) Filed: **Jul. 23, 2018**

(51) **LOC (12) Cl.** ..... **26-05**

(52) **U.S. Cl.**  
USPC ..... **D26/63; D26/67**

(58) **Field of Classification Search**  
USPC ..... D26/63, 67-71  
CPC .... F21S 8/08; F21S 8/081; F21S 8/083; F21S 8/088; F21S 9/03; F21S 9/037; F21V 21/0824; F21V 21/26; F21V 21/30; F21W 2111/023; F21W 2111/02; F21W 2131/109

See application file for complete search history.

(56) **References Cited**

**U.S. PATENT DOCUMENTS**

9,857,061 B1 \* 1/2018 Deng ..... F21V 14/06  
D814,090 S \* 3/2018 Deng ..... D26/63

D838,889 S \* 1/2019 Liu ..... D26/63  
D838,890 S \* 1/2019 Xiong ..... D26/63  
2004/0119951 A1 \* 6/2004 Vitantonio ..... F16M 11/10  
353/119  
2016/0341379 A1 \* 11/2016 Hoffman ..... F21V 17/007  
2017/0227200 A1 \* 8/2017 Zhang ..... F21V 21/06  
2018/0283657 A1 \* 10/2018 Xiong ..... F21V 14/06  
2018/0283663 A1 \* 10/2018 Zhang ..... F21V 21/06

\* cited by examiner

*Primary Examiner* — Clare E Heflin

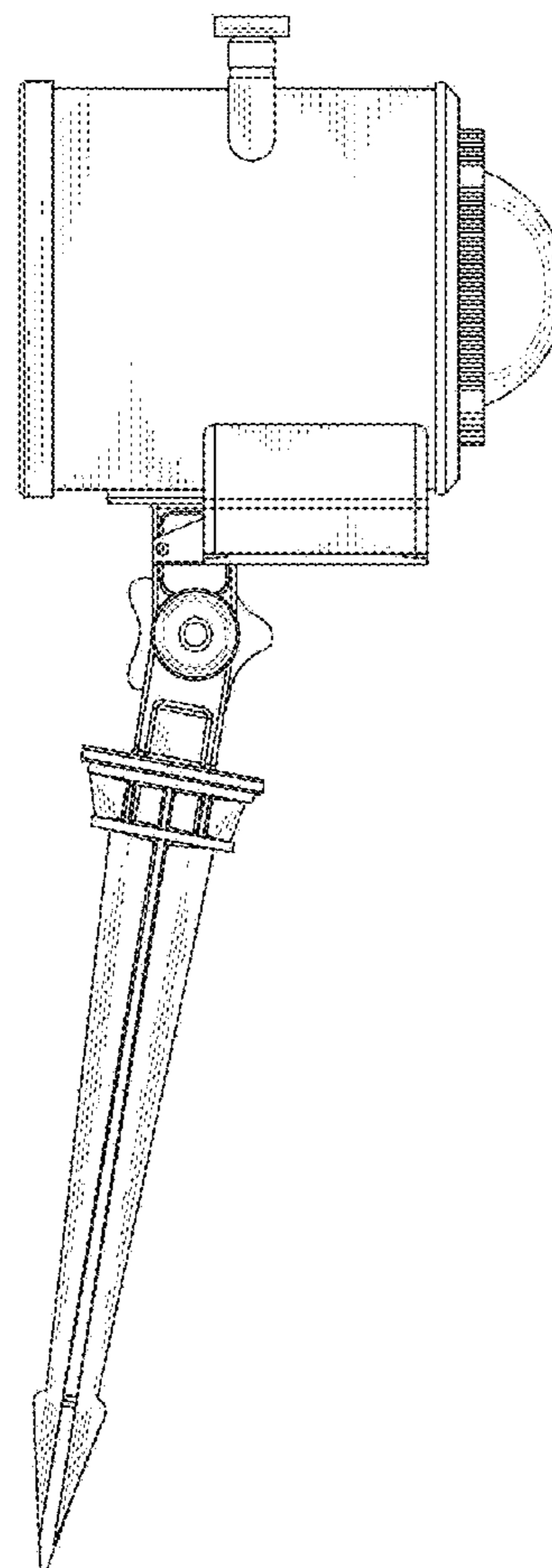
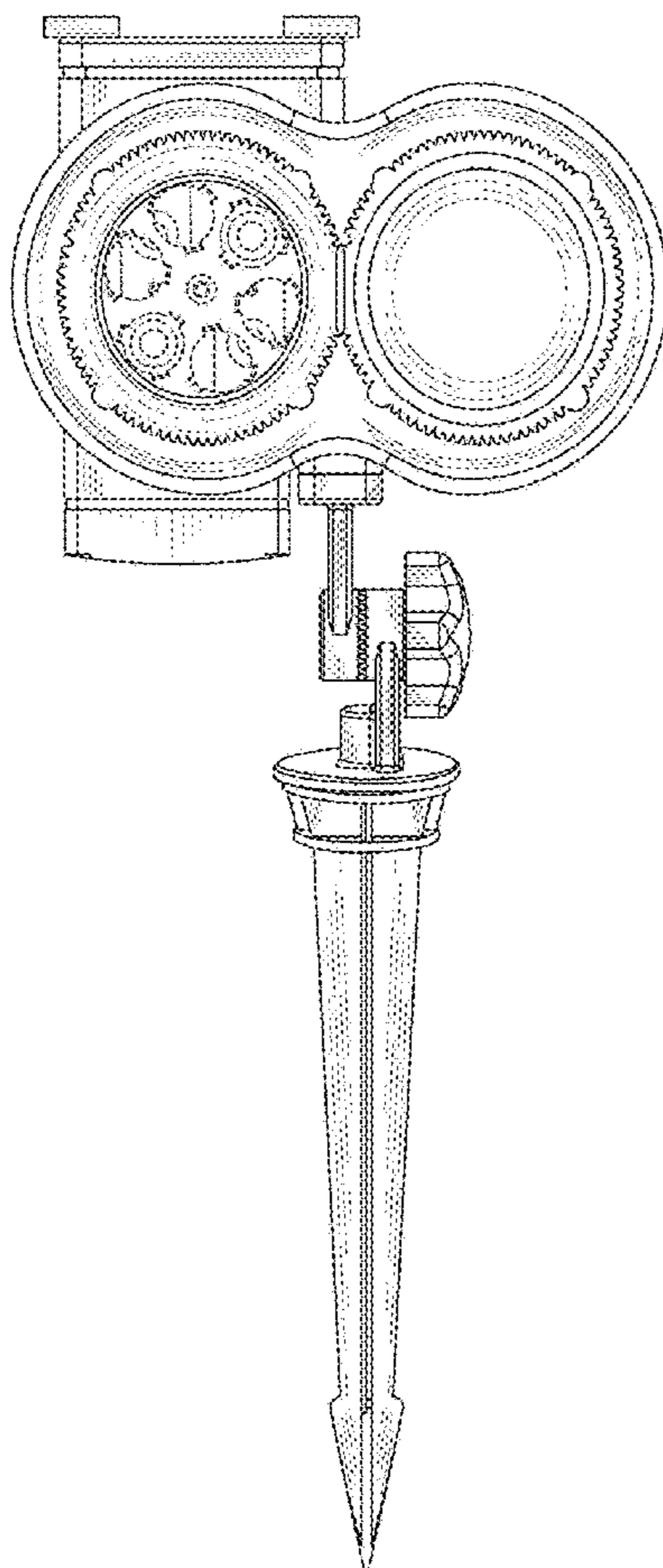
(57) **CLAIM**

The ornamental design for a outdoor lawn landscape lamp, as shown and described.

**DESCRIPTION**

FIG. 1 is a front elevational view of a outdoor lawn landscape lamp showing my new design; FIG. 2 is a rear elevational view thereof; FIG. 3 is a left side elevational view thereof; FIG. 4 is a right side elevational view thereof; FIG. 5 is a top plan view thereof; and, FIG. 6 is a bottom plan view thereof. The broken lines shown in drawings are for the purpose of illustrating portions of the outdoor lawn landscape lamp and form no part of the claimed design.

**1 Claim, 6 Drawing Sheets**



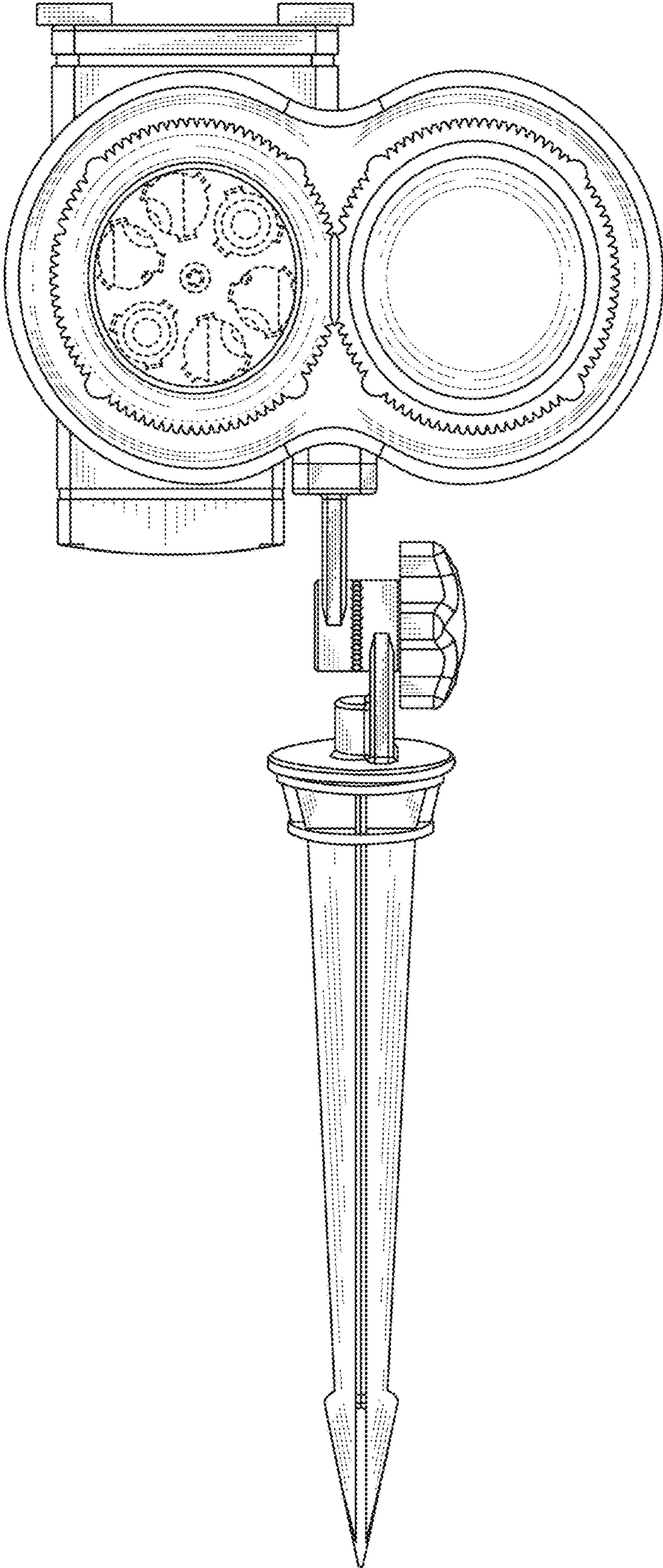


FIG.1

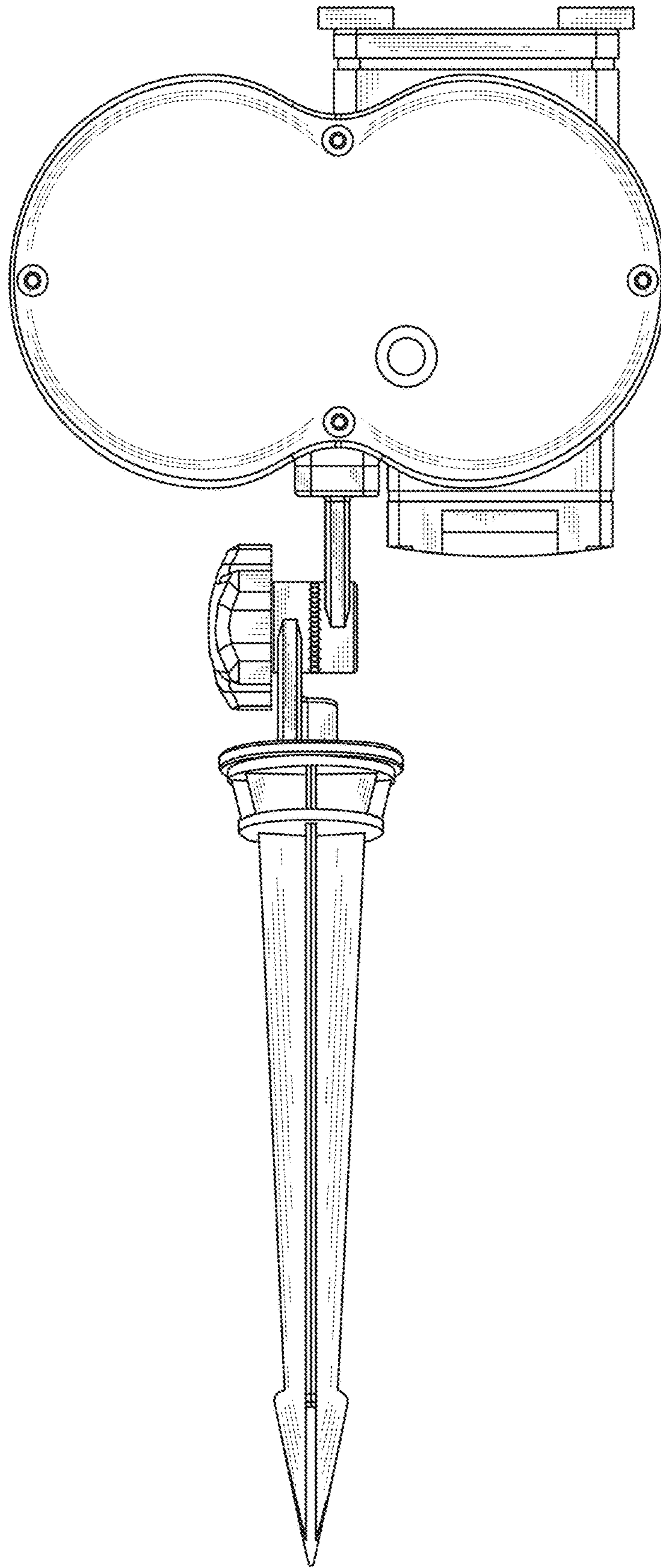


FIG.2

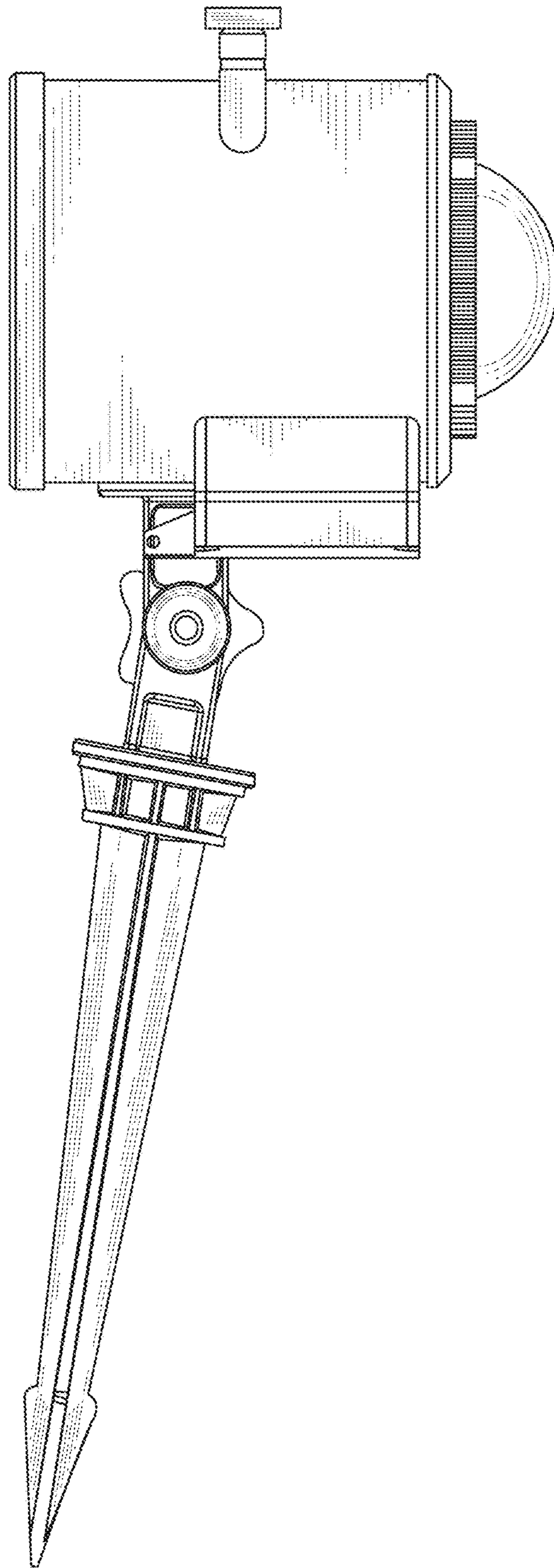


FIG.3

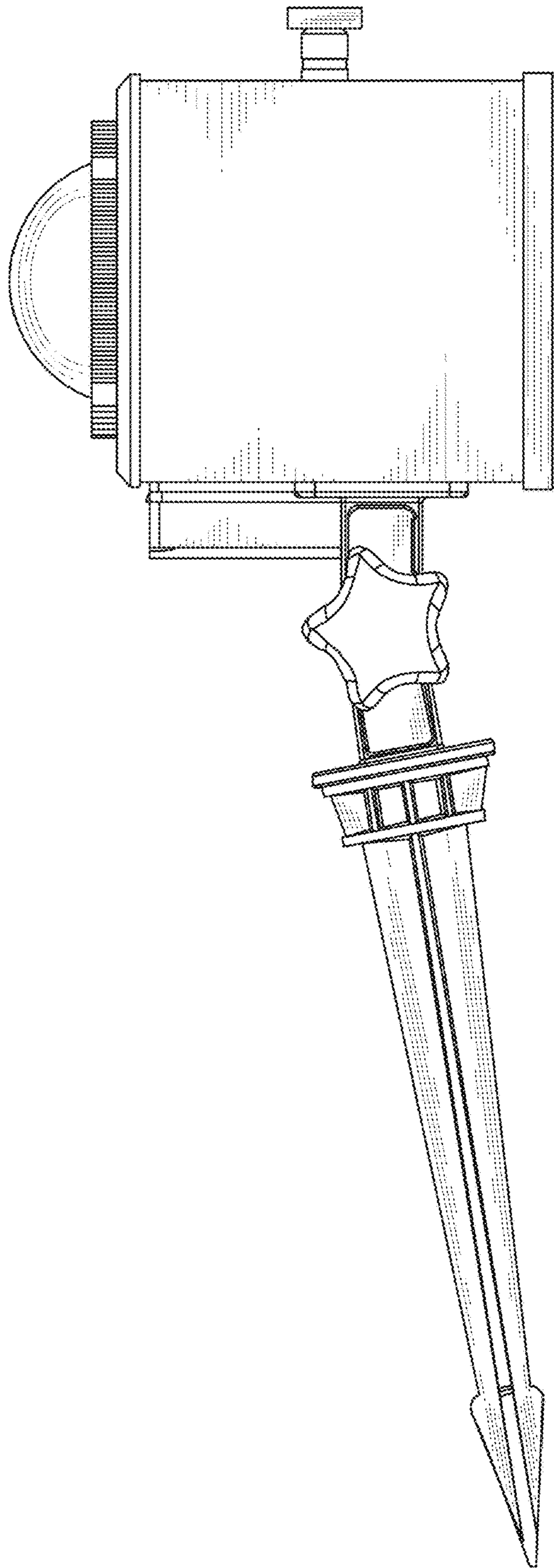


FIG.4

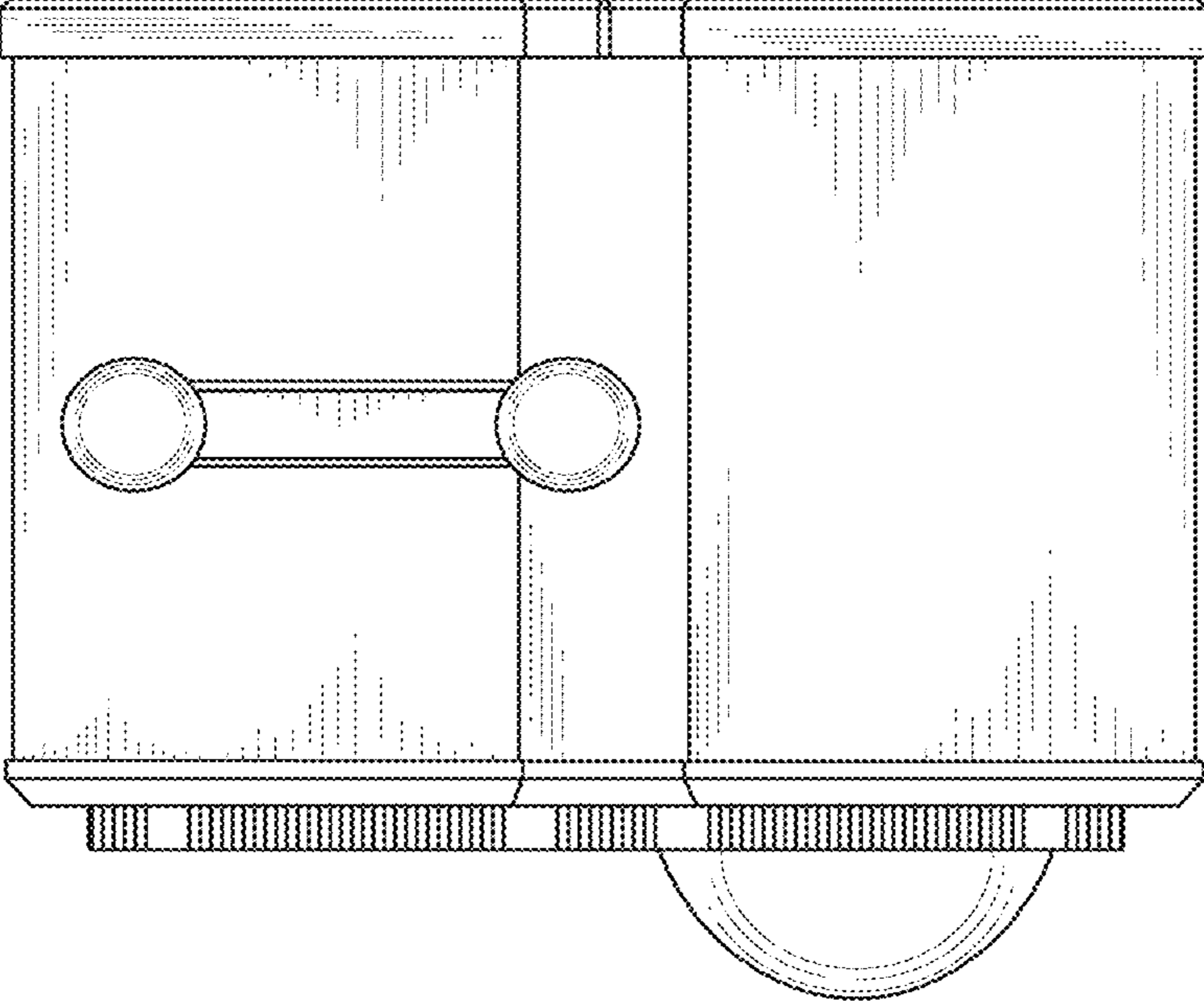


FIG.5

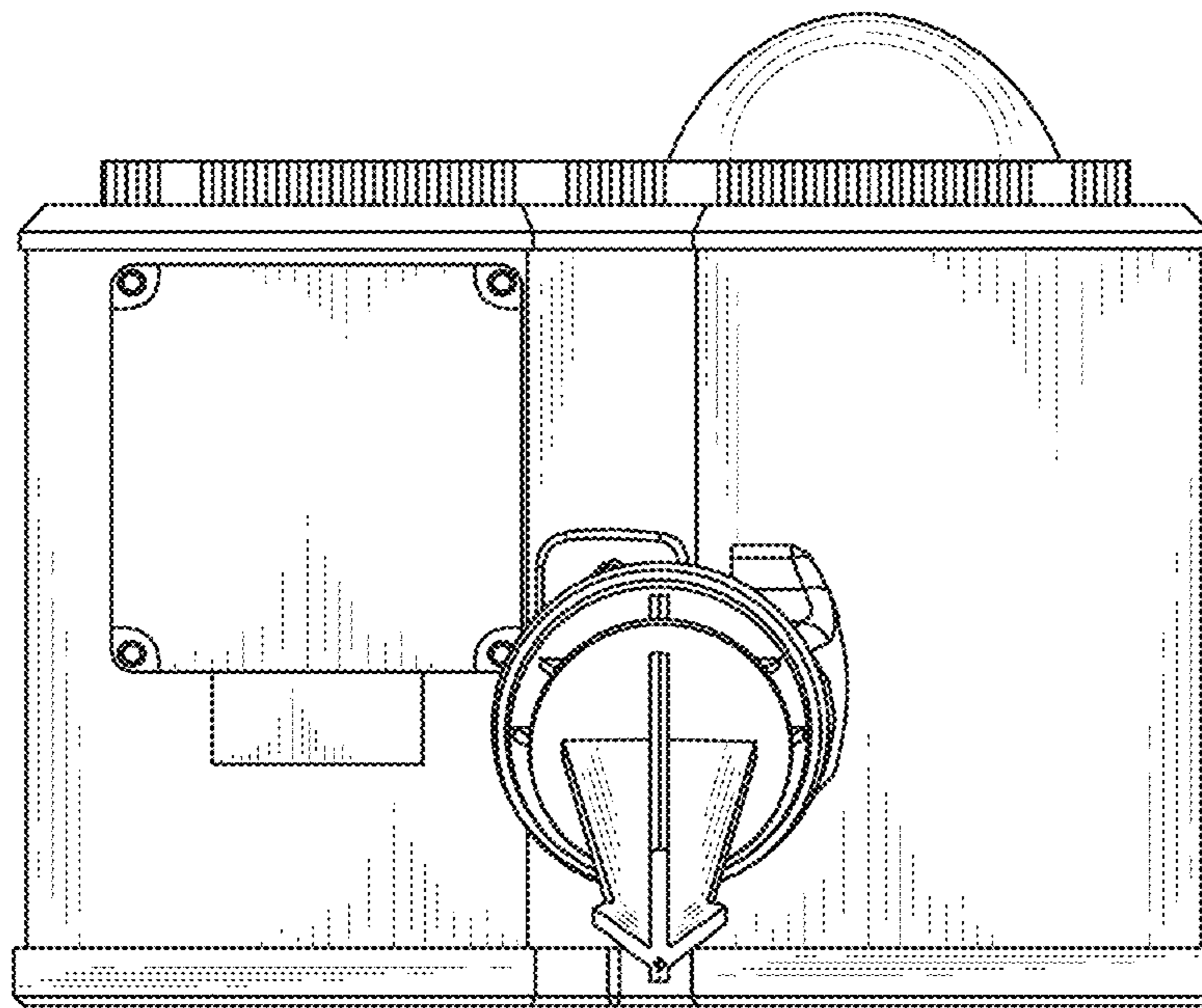


FIG.6