



US00D866833S

(12) **United States Design Patent**  
**Amin**

(10) **Patent No.:** **US D866,833 S**

(45) **Date of Patent:** **\*\* Nov. 12, 2019**

(54) **LAMP**

(71) Applicant: **ARVA, LLC**, Rock Hill, SC (US)

(72) Inventor: **Harry Amin**, Rock Hill, SC (US)

(\*\*) Term: **15 Years**

(21) Appl. No.: **29/641,330**

(22) Filed: **Mar. 21, 2018**

(51) **LOC (12) Cl.** ..... **26-03**

(52) **U.S. Cl.**  
USPC ..... **D26/63**

(58) **Field of Classification Search**  
USPC ..... D26/60-66, 72, 85, 87, 92  
CPC . F21K 9/00; F21V 5/007; F21V 7/005; F21V  
7/0083; F21V 11/04; F21V 11/14; F21V  
15/01; F21V 19/001; F21V 21/002; F21V  
21/06; F21V 21/0885; F21V 21/145;  
F21V 21/30; F21V 33/0024; F21V 7/05  
See application file for complete search history.

(56) **References Cited**

**U.S. PATENT DOCUMENTS**

D567,422 S *	4/2008	Gordin	.....	D26/63
D573,285 S *	7/2008	Zettl	.....	D26/63
D580,577 S *	11/2008	Wang	.....	D26/63
D634,871 S *	3/2011	Wooh	.....	D26/63
D733,333 S	6/2015	Lee		
D733,941 S	7/2015	Chen et al.		
D735,384 S *	7/2015	Ehsani	.....	D26/63
D739,975 S	9/2015	Campos et al.		
D763,478 S	8/2016	Lee		
D767,191 S *	9/2016	DeMaio	.....	D26/63
D782,082 S	3/2017	Shalvi		
D789,581 S *	6/2017	Peard	.....	D26/61
D815,769 S *	4/2018	Gong	.....	D26/63
D818,171 S *	5/2018	Brynjolfsson	.....	D26/63
D825,806 S *	8/2018	Jurik	.....	D26/63
D825,829 S *	8/2018	Guo	.....	D26/63

D827,877 S	9/2018	Cai		
D830,585 S	10/2018	Grandadam		
D838,398 S *	1/2019	Joye	.....	D26/63

**OTHER PUBLICATIONS**

Amin, Harry; Notice of Allowance for U.S. Appl. No. 29/610,139, filed Jul. 10, 2017, dated Apr. 1, 2019, 7 pgs.  
Amin, Harry; Restriction Requirement for U.S. Appl. No. 29/641,329, filed Mar. 21, 2018, dated Mar. 8, 2019, 5 pages.  
Amin, Harry; Restriction Requirement for U.S. Appl. No. 29/641,333, filed Mar. 21, 2018, dated Mar. 8, 2019, 5 pages.  
Amin, Harry; Restriction Requirement for U.S. Appl. No. 29/641,335, filed Mar. 21, 2018, dated Mar. 11, 2019, 5 pages.

\* cited by examiner

*Primary Examiner* — Brian N. Vinson  
(74) *Attorney, Agent, or Firm* — Taylor English Duma LLP

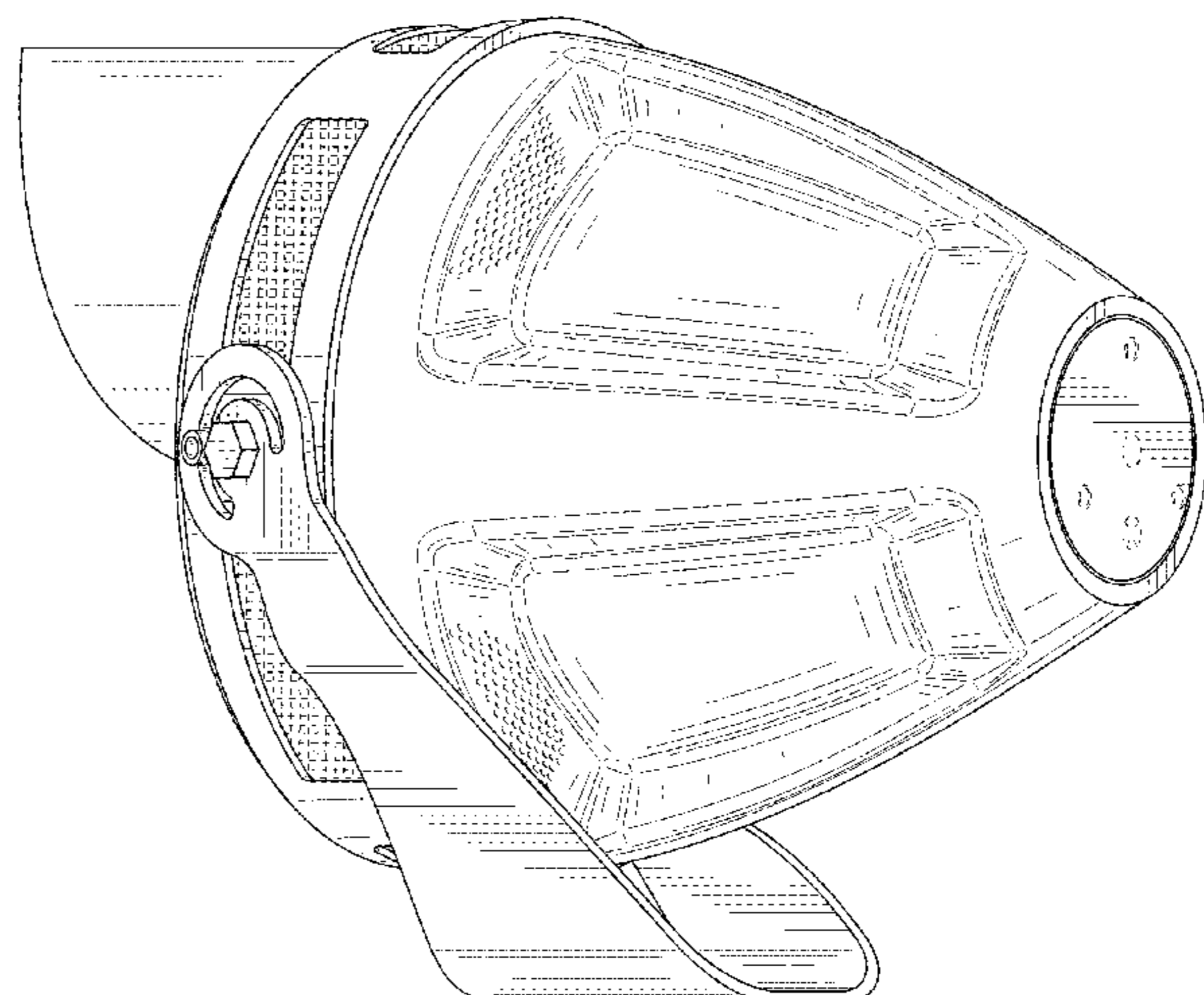
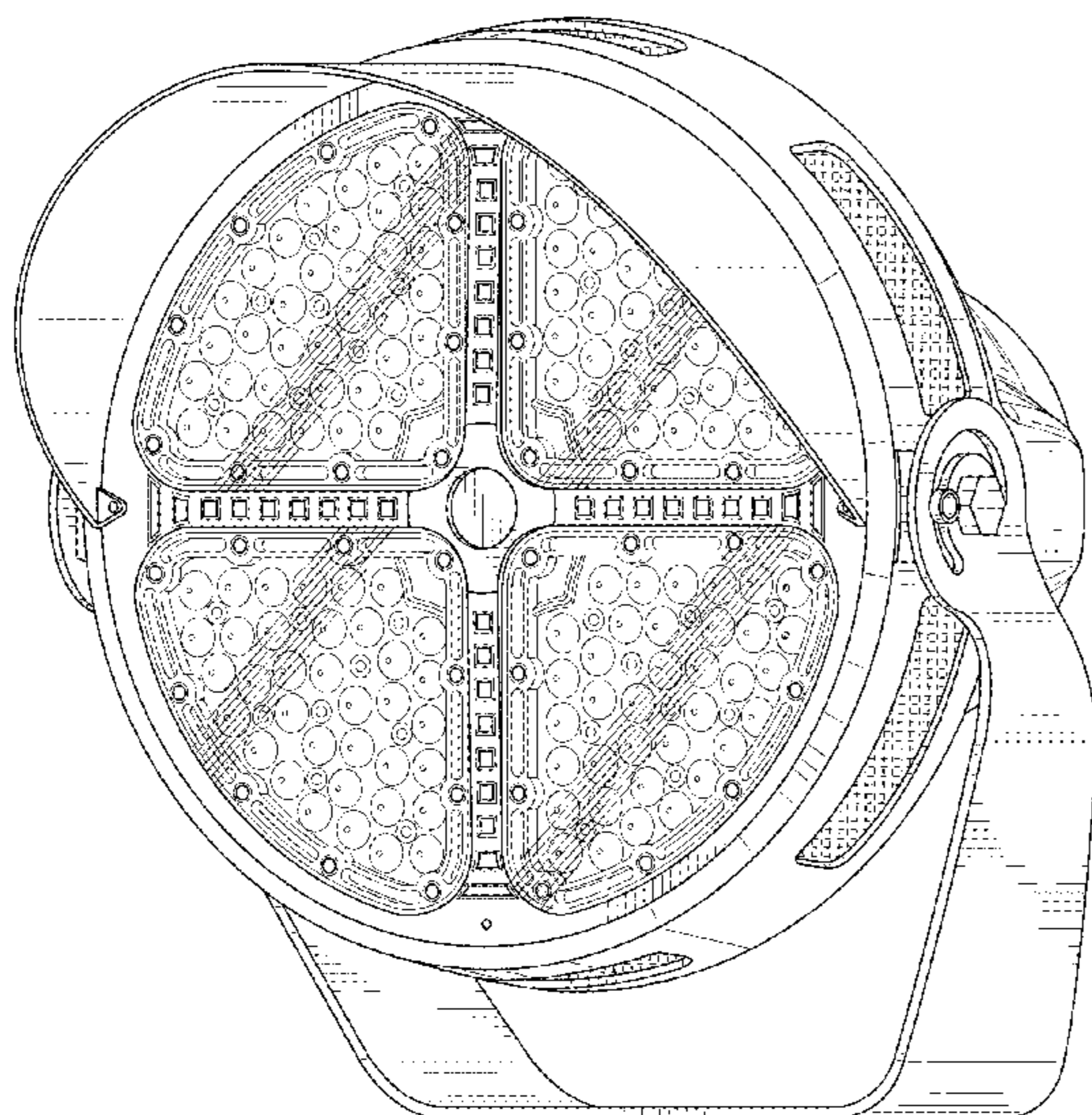
(57) **CLAIM**

The ornamental design for a lamp, as shown and described.

**DESCRIPTION**

FIG. 1 is a front perspective view of another embodiment of a lamp showing my new design.  
FIG. 2 is a rear perspective view of the lamp as shown in FIG. 1 showing my new design.  
FIG. 3 is a front elevation view of the lamp as shown in FIG. 1 showing my new design.  
FIG. 4 is a rear elevation view of the lamp as shown in FIG. 1 showing my new design.  
FIG. 5 is a left side elevation view of the lamp as shown in FIG. 1 showing my new design, the right side elevation view being a mirror image thereof.  
FIG. 6 is a top plan view of the lamp as shown in FIG. 1 showing my new design; and,  
FIG. 7 is a bottom plan view of the lamp as shown in FIG. 1 showing my new design.

**1 Claim, 7 Drawing Sheets**





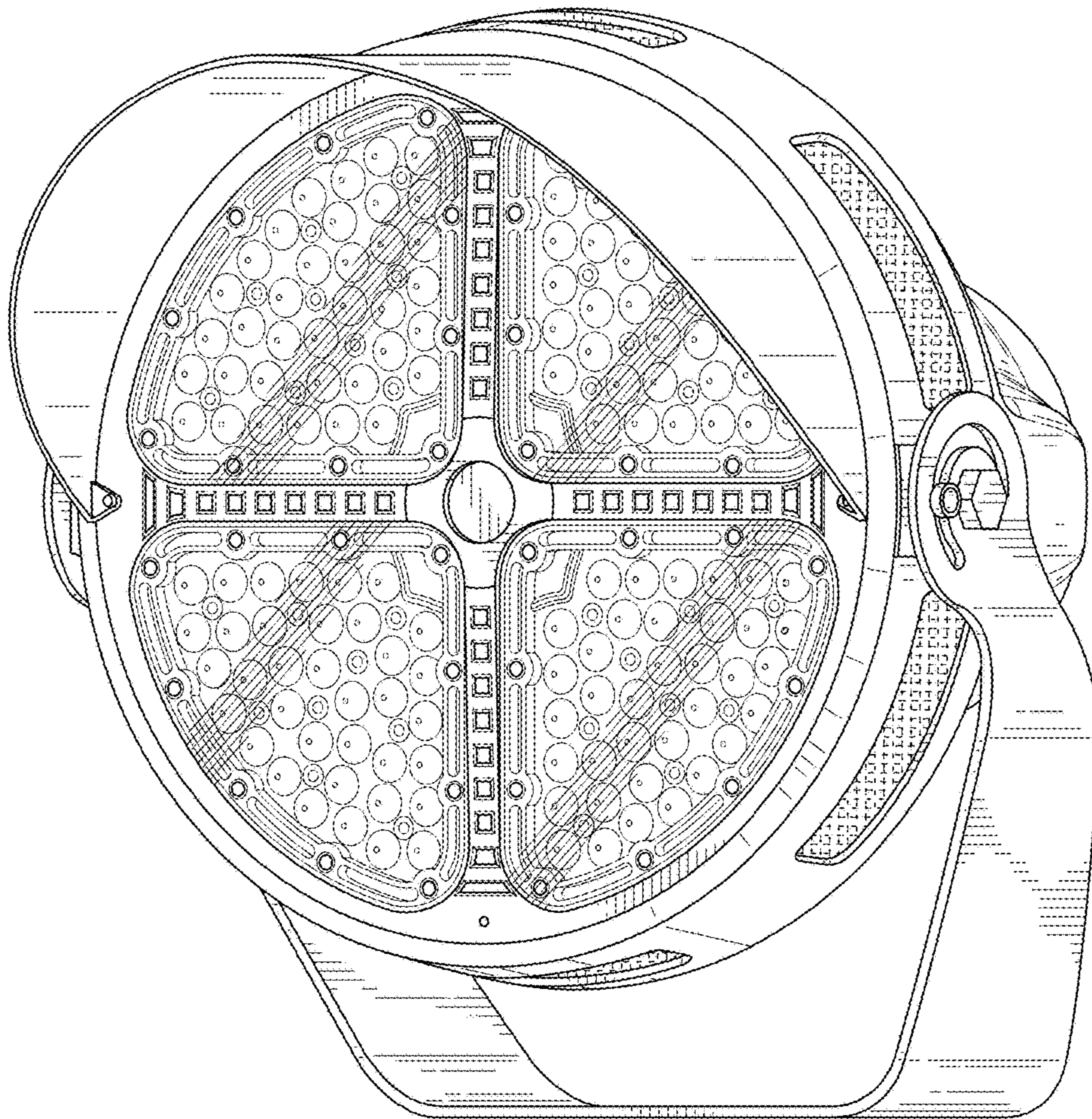


FIG. 1

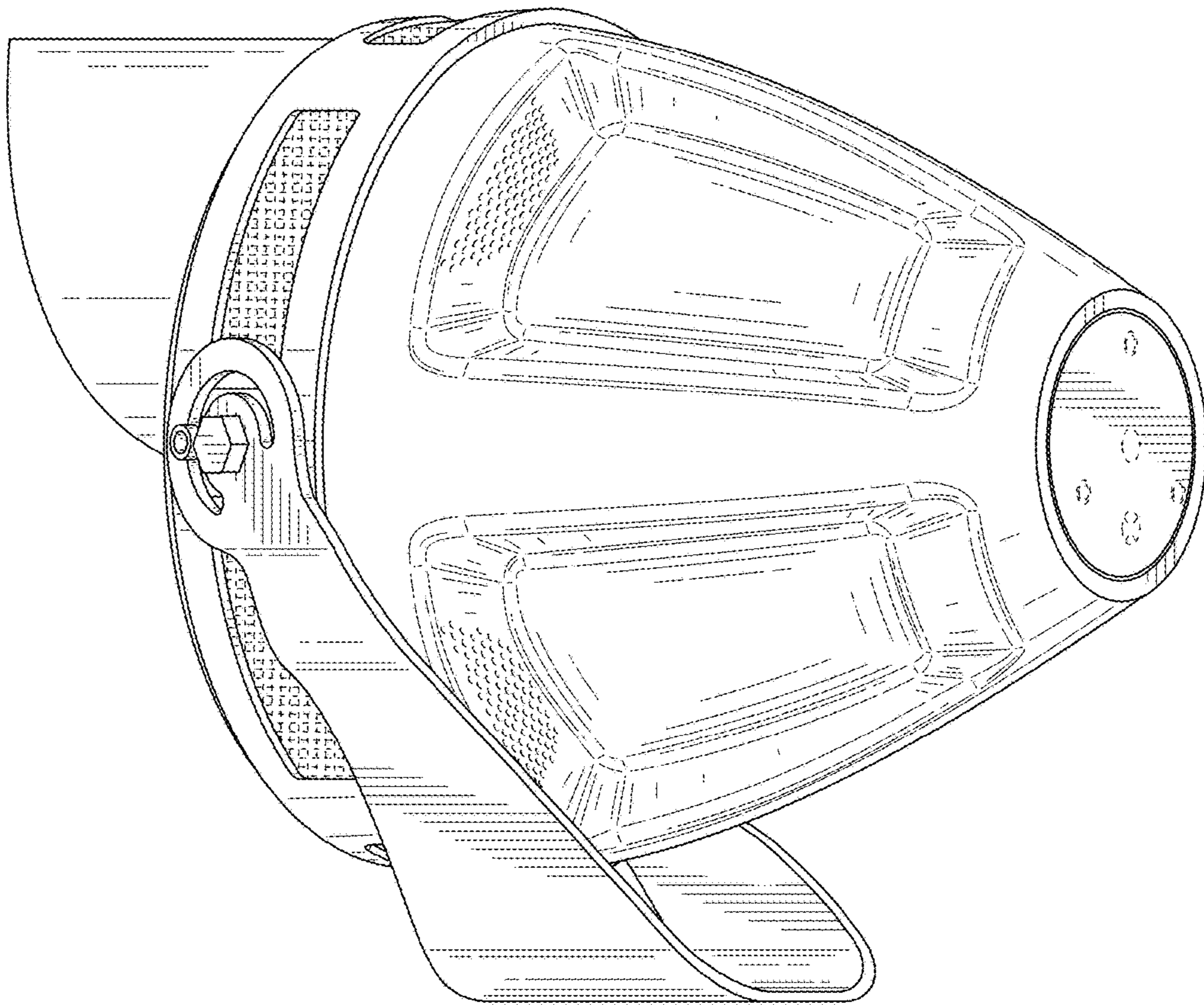


FIG. 2



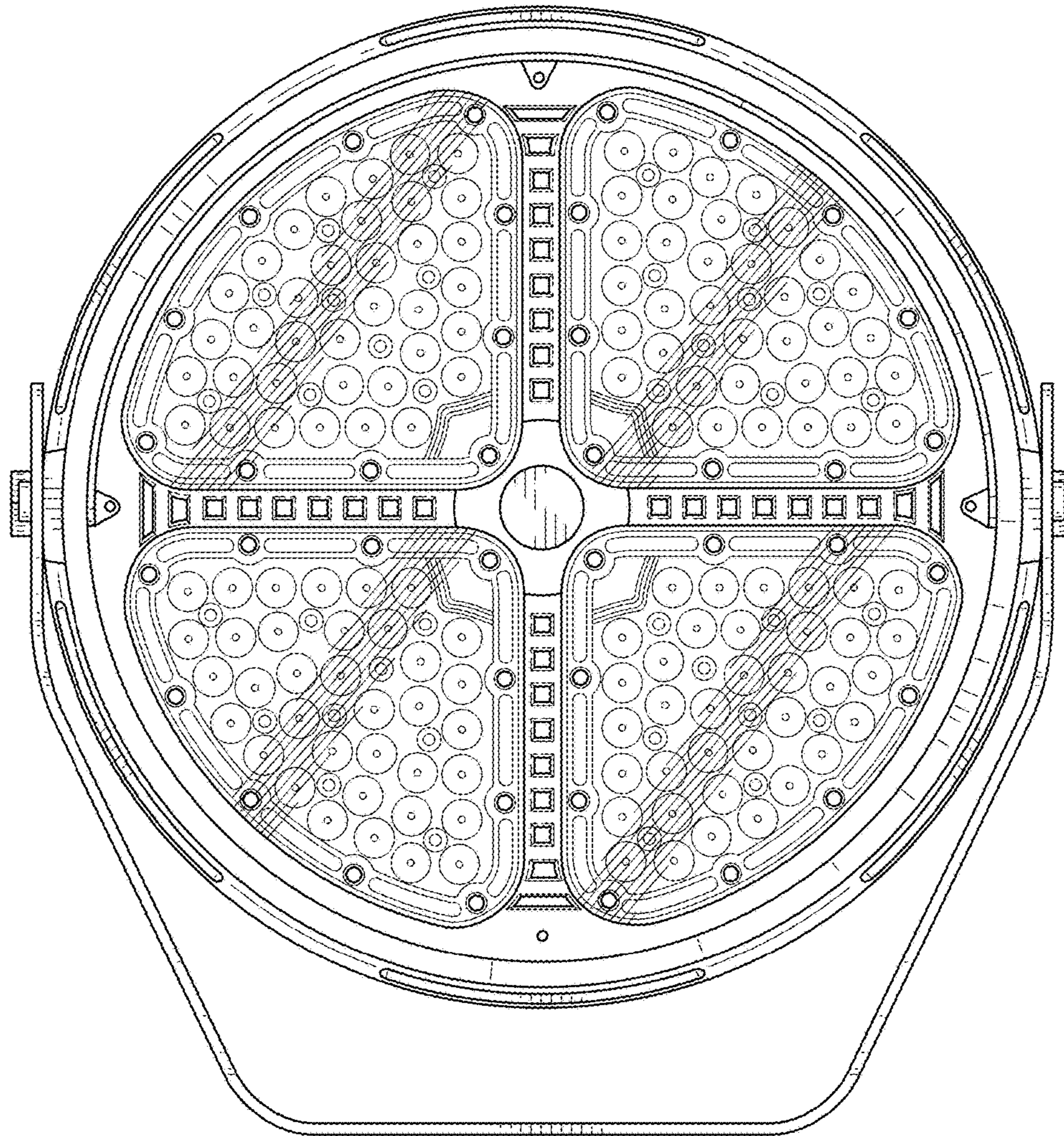


FIG. 3

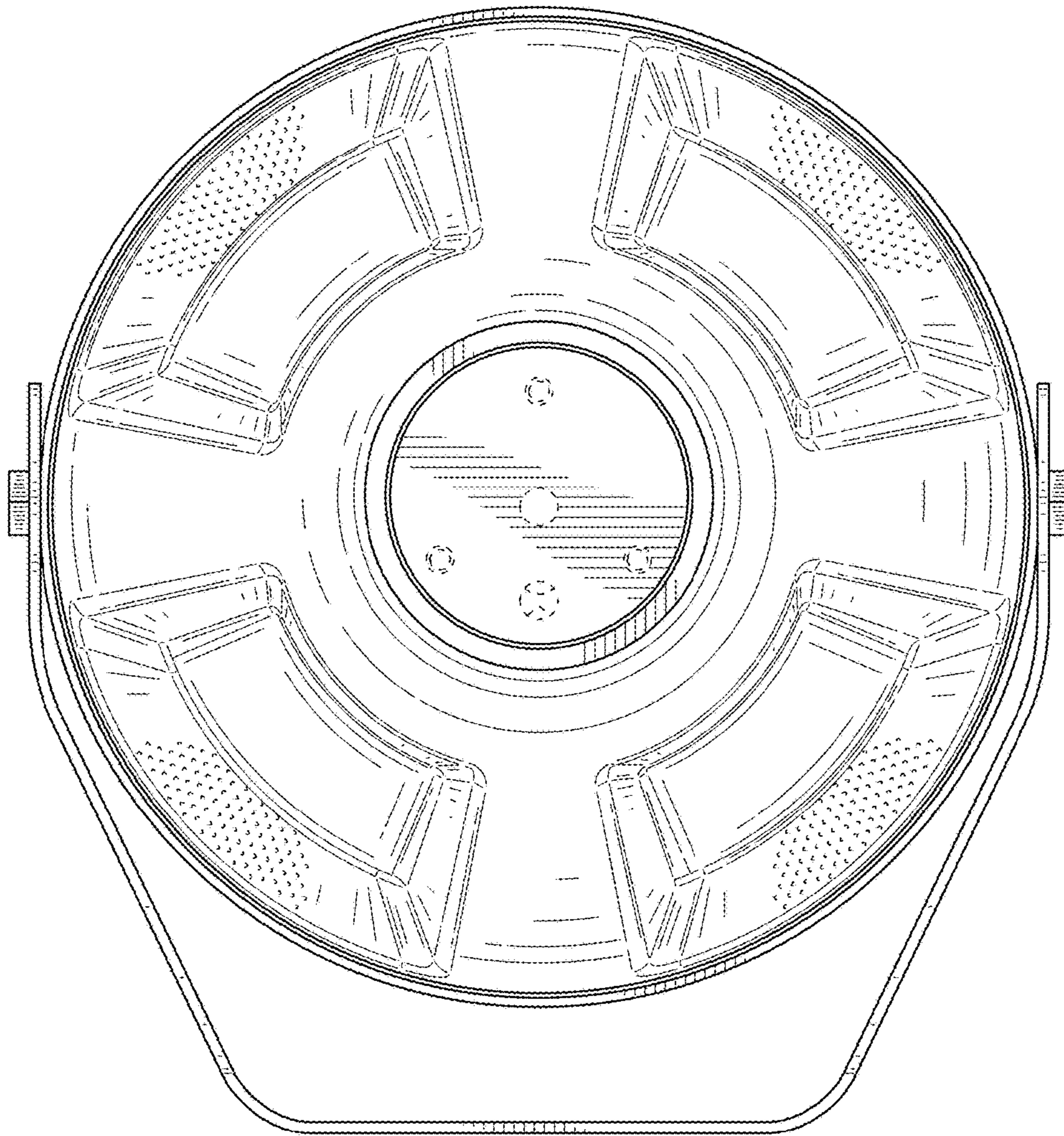


FIG. 4



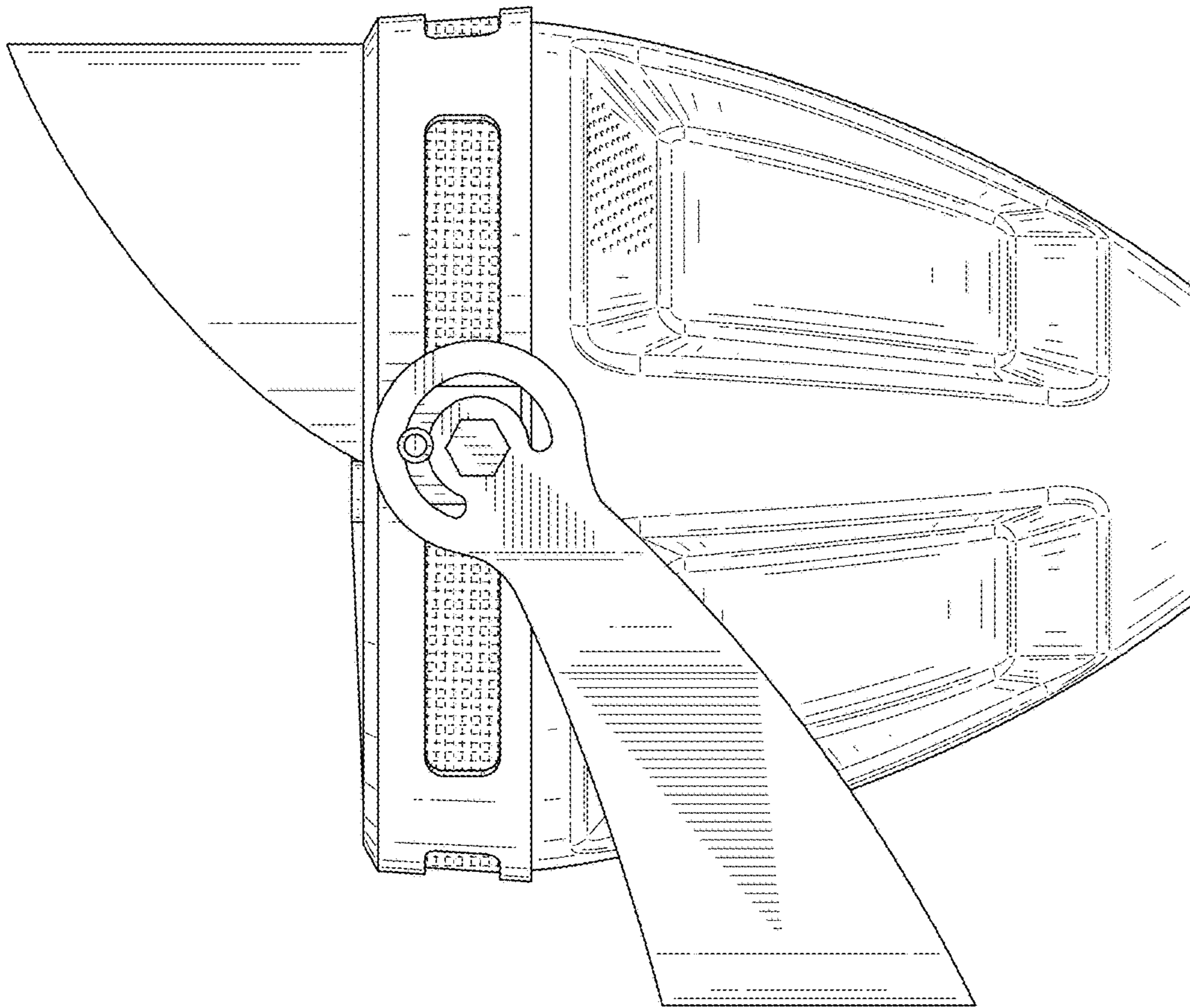


FIG. 5

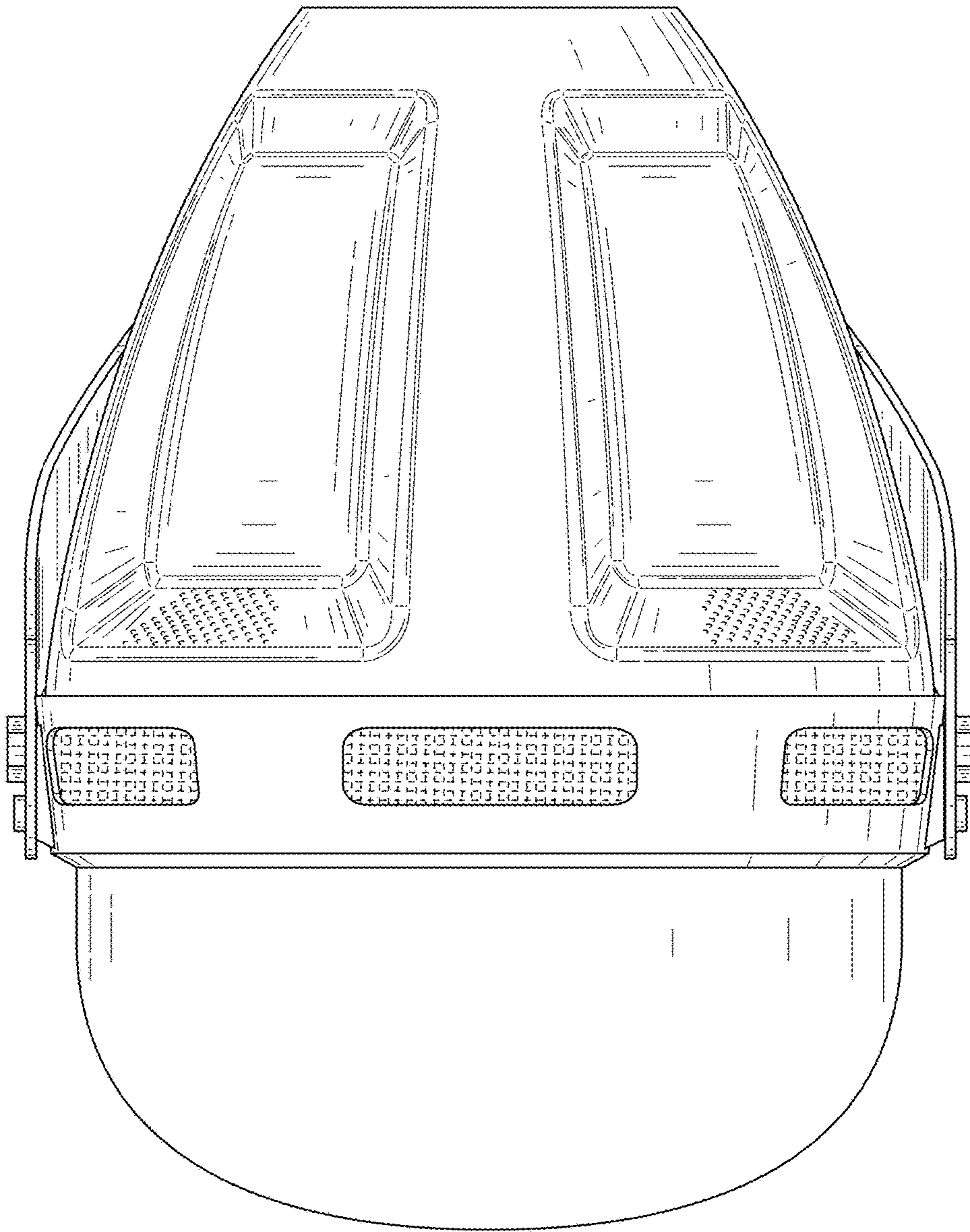


FIG. 6

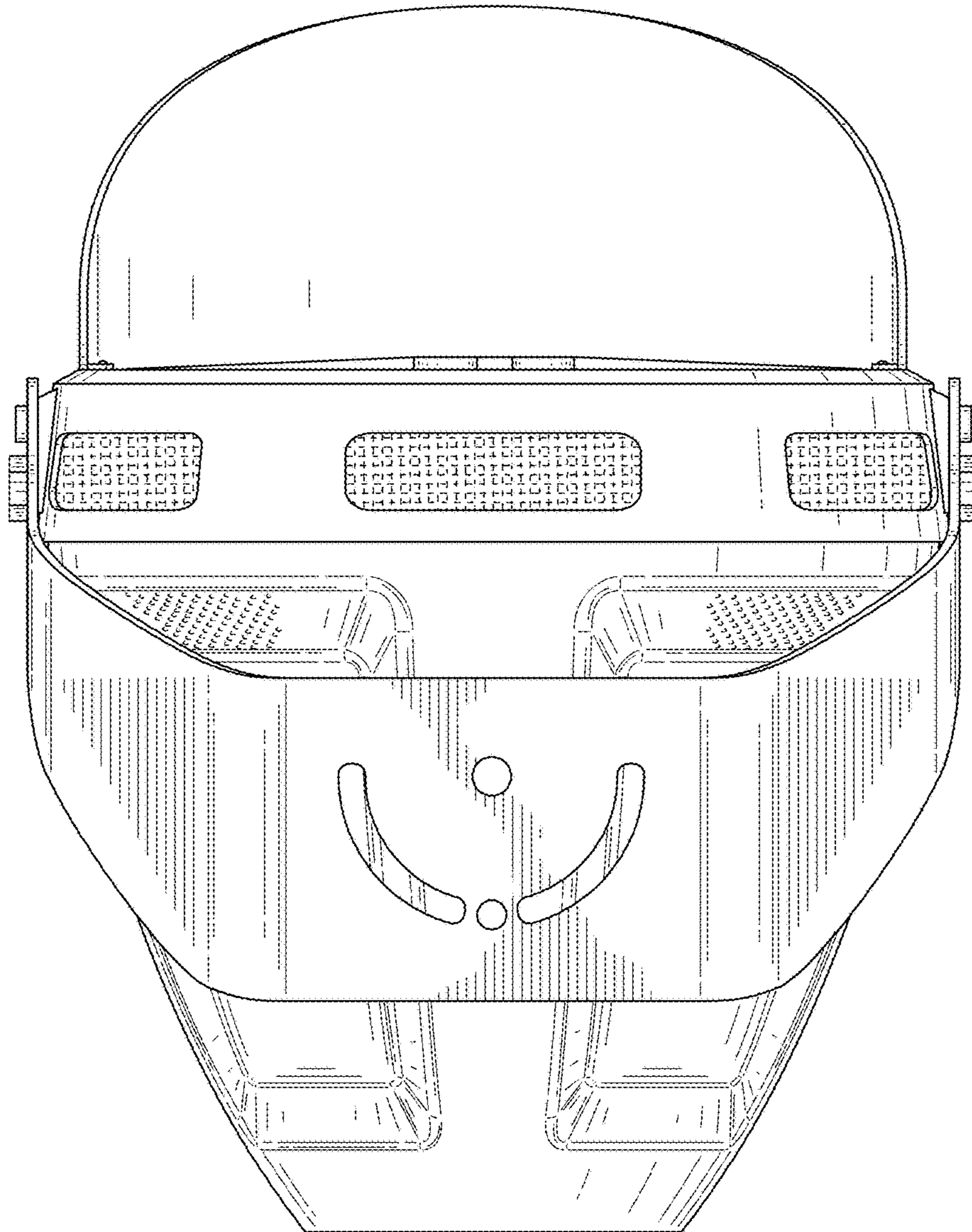


FIG. 7