

US00D866829S

(12) **United States Design Patent** (10) **Patent No.:** **US D866,829 S**  
**Green et al.** (45) **Date of Patent:** **\*\* \*Nov. 12, 2019**

(54) **FLASHLIGHT**

(71) Applicant: **HOME DEPOT PRODUCT AUTHORITY, LLC**, Atlanta, GA (US)

(72) Inventors: **Adam R. Green**, Marietta, GA (US);  
**Darryl W. Ticken**, Woodstock, GA (US)

(73) Assignee: **Home Depot Product Authority, LLC**, Atlanta, GA (US)

(\*) Notice: This patent is subject to a terminal disclaimer.

(\*\*) Term: **15 Years**

(21) Appl. No.: **29/544,147**

(22) Filed: **Oct. 30, 2015**

(51) **LOC (12) Cl.** ..... **26-02**

(52) **U.S. Cl.**  
USPC ..... **D26/49**

(58) **Field of Classification Search**  
USPC ..... D26/37, 38, 44, 42, 43, 46, 48, 49, 51  
(Continued)

(56) **References Cited**

**U.S. PATENT DOCUMENTS**

D197,082 S \* 12/1963 Oakley ..... D26/49  
D430,323 S \* 8/2000 Yuen ..... D26/46  
(Continued)

**OTHER PUBLICATIONS**

Office Action received in Chinese Counterpart Application 201630153665.6 dated Aug. 12, 2016 (3 pages).

(Continued)

*Primary Examiner* — Lakiya G Rogers

*Assistant Examiner* — Carissa C Fitts

(74) *Attorney, Agent, or Firm* — Greenberg Traurig, LLP

(57) **CLAIM**

The ornamental design for a flashlight, as shown and described.

**DESCRIPTION**

FIG. 1 is a perspective view of a first embodiment of our design;

FIG. 2 is a front view thereof;

FIG. 3 is a back view thereof;

FIG. 4 is a left side view thereof;

FIG. 5 is a right side view thereof;

FIG. 6 is a top view thereof;

FIG. 7 is a bottom view thereof;

FIG. 8 is a perspective view of a second embodiment of our design;

FIG. 9 is a front view thereof;

FIG. 10 is a back view thereof;

FIG. 11 is a left side view thereof;

FIG. 12 is a right side view thereof;

FIG. 13 is a top view thereof;

FIG. 14 is a bottom view thereof;

FIG. 15 is a perspective view of a third embodiment of our design;

FIG. 16 is a front view thereof;

FIG. 17 is a back view thereof;

FIG. 18 is a left side view thereof;

FIG. 19 is a right side view thereof;

FIG. 20 is a top view thereof;

FIG. 21 is a bottom view thereof;

FIG. 22 is a perspective view of a fourth embodiment of our design;

FIG. 23 is a front view thereof;

FIG. 24 is a back view thereof;

FIG. 25 is a left side view thereof;

FIG. 26 is a right side view thereof;

FIG. 27 is a top view thereof;

FIG. 28 is a bottom view thereof;

FIG. 29 is a perspective view of a fifth embodiment of our design;

FIG. 30 is a front view thereof;

FIG. 31 is a back view thereof;

(Continued)

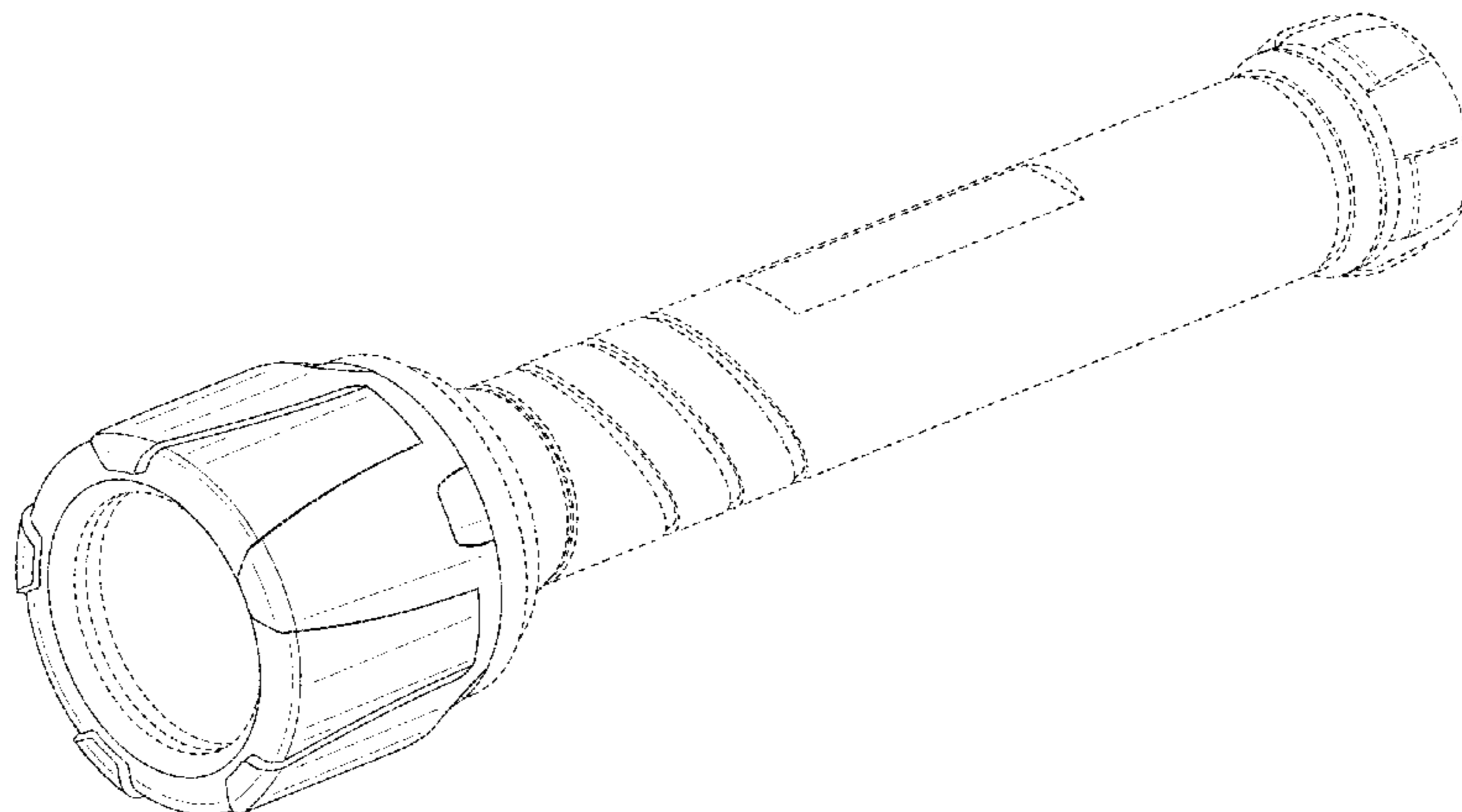


FIG. 32 is a left side view thereof;  
 FIG. 33 is a right side view thereof;  
 FIG. 34 is a top view thereof; and,  
 FIG. 35 is a bottom view thereof.  
 The dashed lines in the figures form no part of the claimed design.

**1 Claim, 20 Drawing Sheets**

(58) **Field of Classification Search**

CPC ..... F21L 2003/00; F21L 4/00; F21L 4/005;  
 F21L 4/02; F21L 4/025; F21L 4/027;  
 F21L 4/04; F21L 4/08; F21L 2005/00;  
 F21L 7/00; F21L 11/00; F21L 13/00;  
 F21L 13/04; F21L 13/08; F21L 14/02;  
 F21L 17/00

See application file for complete search history.

(56) **References Cited**

U.S. PATENT DOCUMENTS

D481,147 S	10/2003	Yang	
D481,482 S *	10/2003	Mah	D26/37
D486,937 S	2/2004	Shiu	
D488,877 S	4/2004	Shin	
D495,442 S	8/2004	Packard	
D496,115 S	9/2004	Lin	
D506,559 S	6/2005	Chen	
D512,525 S	12/2005	Yang	
D527,476 S	8/2006	Craft	
D565,769 S	4/2008	Shiu	
D566,314 S *	4/2008	Jen	D26/49
D566,315 S *	4/2008	Shiu	D26/49
D574,982 S	8/2008	Lau	
D574,984 S	8/2008	Hesse	
D579,135 S	10/2008	Shiu	
D579,594 S	10/2008	Hesse	
D589,635 S *	3/2009	Rugendyke	D26/49
D590,972 S *	4/2009	Palmer	D26/49
D604,437 S	11/2009	Yang	
D608,033 S	1/2010	Hesse	
D608,034 S	1/2010	Hesse	
D610,727 S *	2/2010	Nyssen	D26/46
D617,022 S	6/2010	Kung	

D619,743 S *	7/2010	Liu	D26/49
D623,323 S *	9/2010	Kung	D26/45
D625,865 S *	10/2010	Poon	D26/48
D629,544 S	12/2010	Deguglimo	
D629,938 S *	12/2010	Yuen	D26/45
D640,400 S	6/2011	Huang	
D645,592 S	9/2011	Brands	
D656,261 S	3/2012	Lee	
D659,270 S	5/2012	Nguyen	
D659,272 S	5/2012	Nguyen	
D671,249 S	11/2012	Sheikh	
D689,225 S	9/2013	Yeh	
D689,226 S	9/2013	Yeh	
D709,231 S *	7/2014	Nguyen	D26/49
D710,526 S	8/2014	Lee	
D713,078 S *	9/2014	Shen	D26/41
D733,951 S *	7/2015	Kent	D26/39
D734,519 S *	7/2015	Shen	D26/49
D740,988 S *	10/2015	Robinson	D26/49
D745,200 S	12/2015	Inskeep	
D745,987 S *	12/2015	Nawaz	D22/117
D748,837 S *	2/2016	Cacciabeve	D26/49
D750,305 S	2/2016	Sheikh et al.	
D750,306 S	2/2016	Windom et al.	
D752,263 S *	3/2016	Keeley	F21L 4/027 D26/44
D757,319 S *	5/2016	Green	D26/49
D767,188 S *	9/2016	Jigamian	D26/113
D769,495 S *	10/2016	Bertken	D26/49
D769,496 S *	10/2016	Inskeep	D26/49

OTHER PUBLICATIONS

Office Action received in Chinese Counterpart Application 2016301453657.1 dated Aug. 12, 2016 (3 pages).  
 U.S. Appl. No. 29/500,242, filed Aug. 2014, Green.  
 U.S. Appl. No. 29/500,257, filed Aug. 2014, Green.  
 U.S. Appl. No. 29/544,142, filed Oct. 2015, Green et al.  
 U.S. Appl. No. 29/544,146, filed Oct. 2015, Green et al.  
 U.S. Appl. No. 29/544,154, filed Oct. 2015, Green et al.  
 Images of RAYOVAC Indestructible 2 AA Flashlight, DIY2AA-B, publicly available prior to Aug. 22, 2014.  
 Office action received in related U.S. Appl. No. 29/544,154 dated Mar. 24, 2017, ten pages.  
 Office Action received in related U.S. Appl. No. 29/544,154, dated Aug. 21, 2017, 14 pgs.  
 United States Patent and Trademark Office, Office Action issued on U.S. Appl. No. 29/544,146, dated Apr. 5, 2017, 9 pgs.

\* cited by examiner

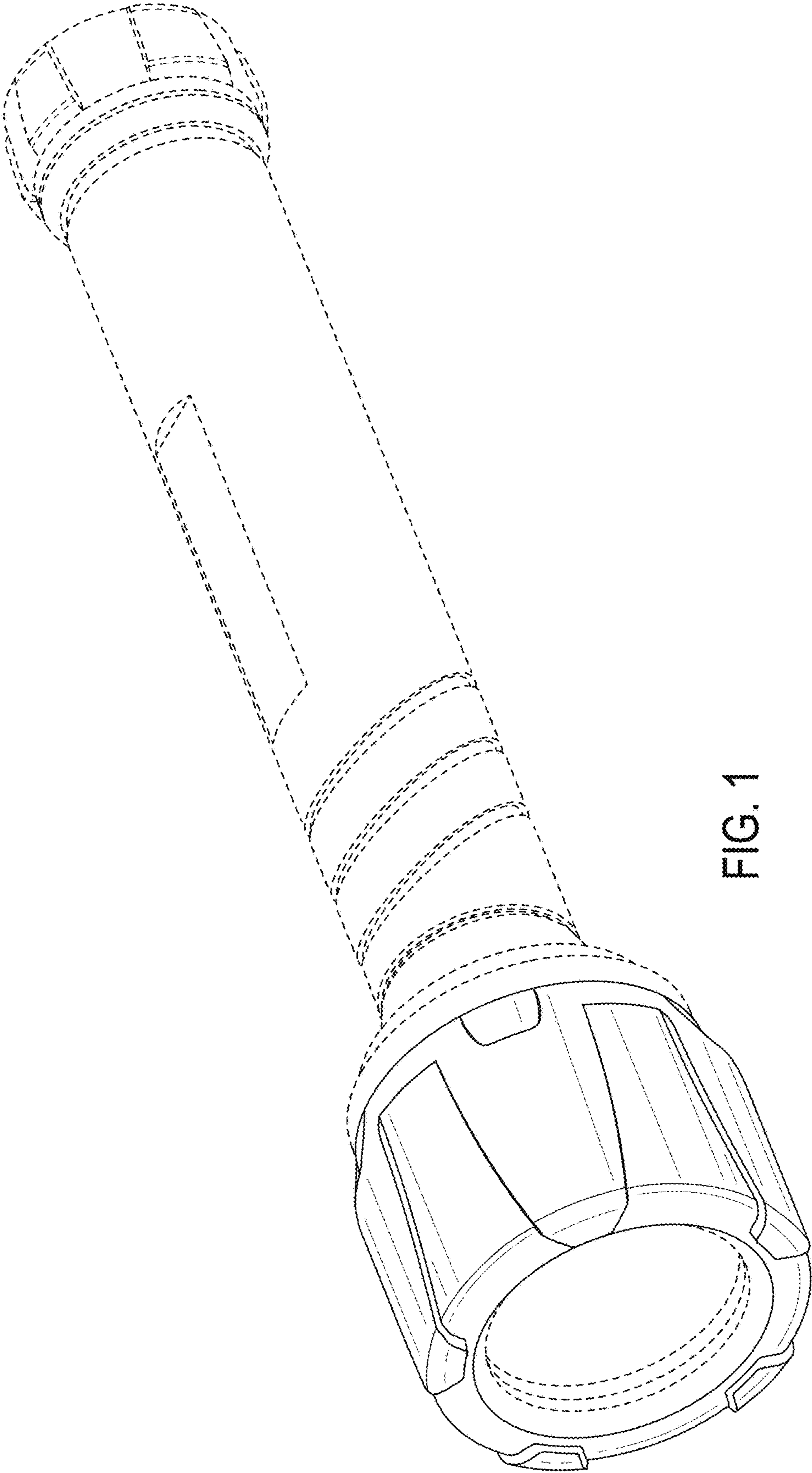


FIG. 1

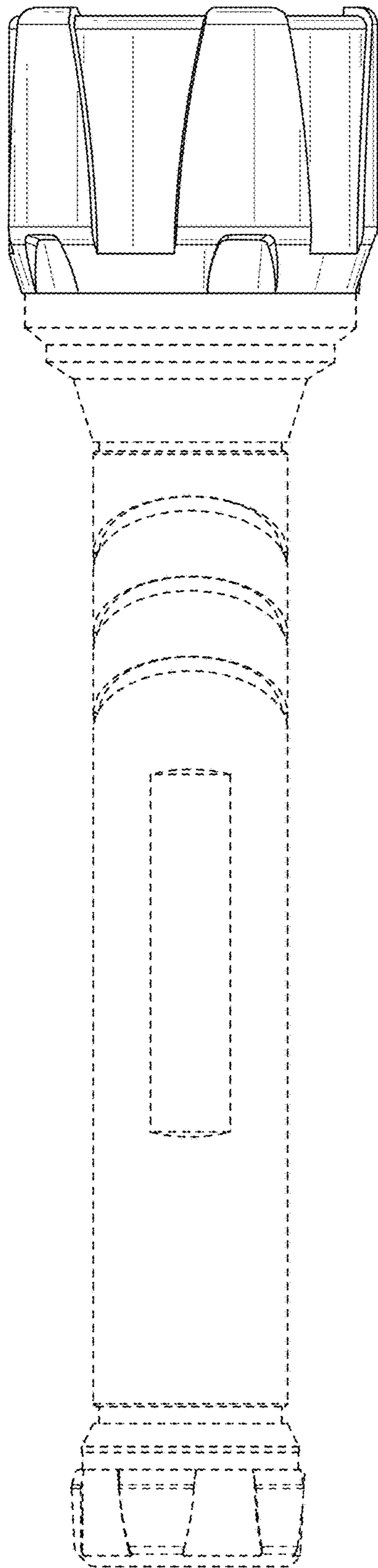


FIG. 2

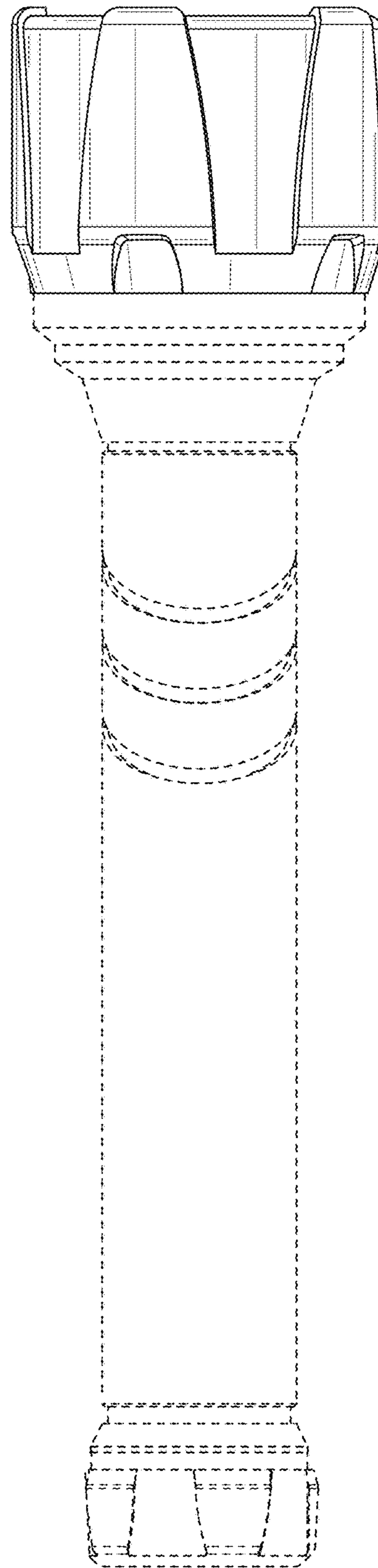


FIG. 3

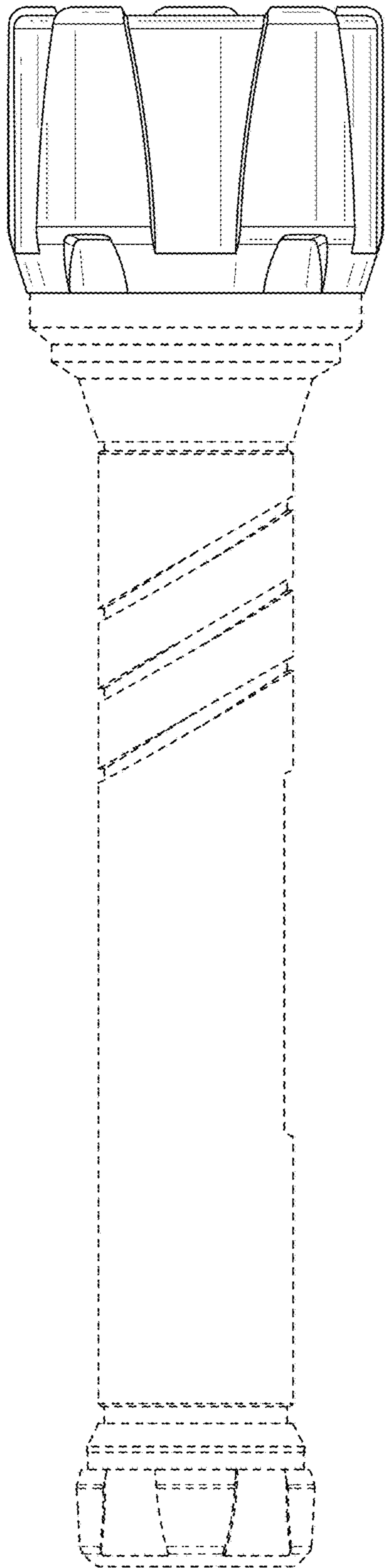


FIG. 4

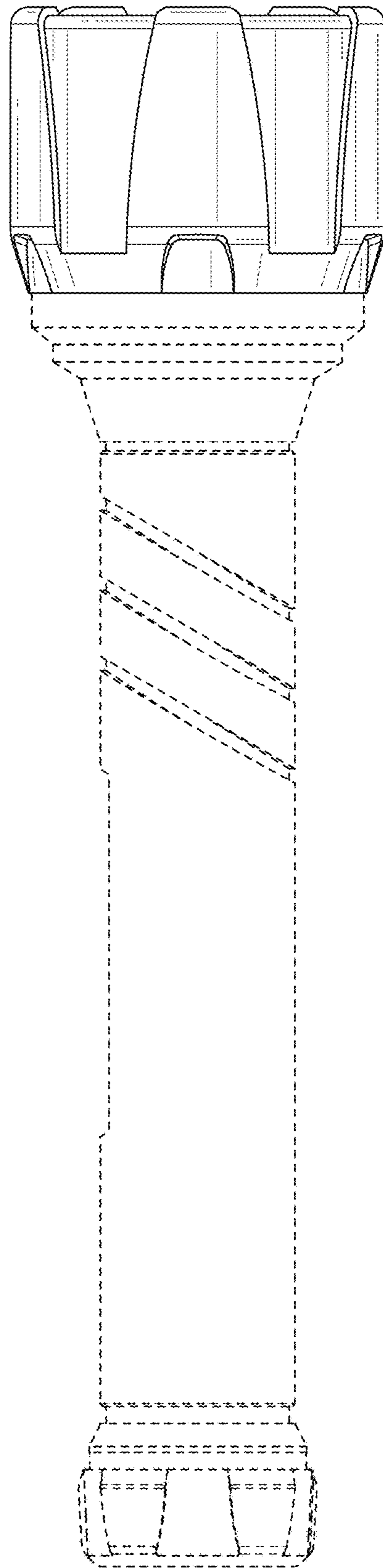


FIG. 5

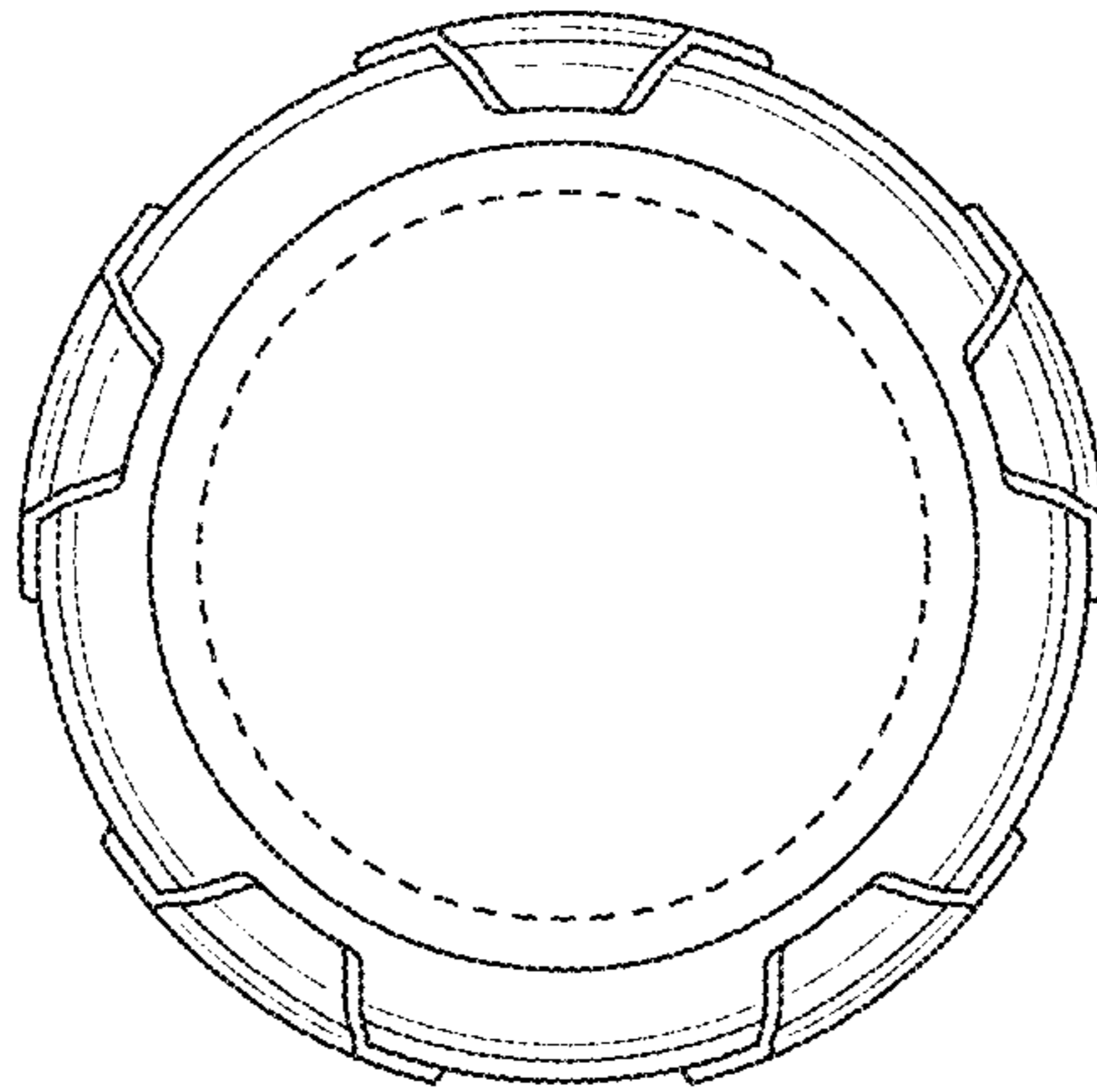


FIG. 6

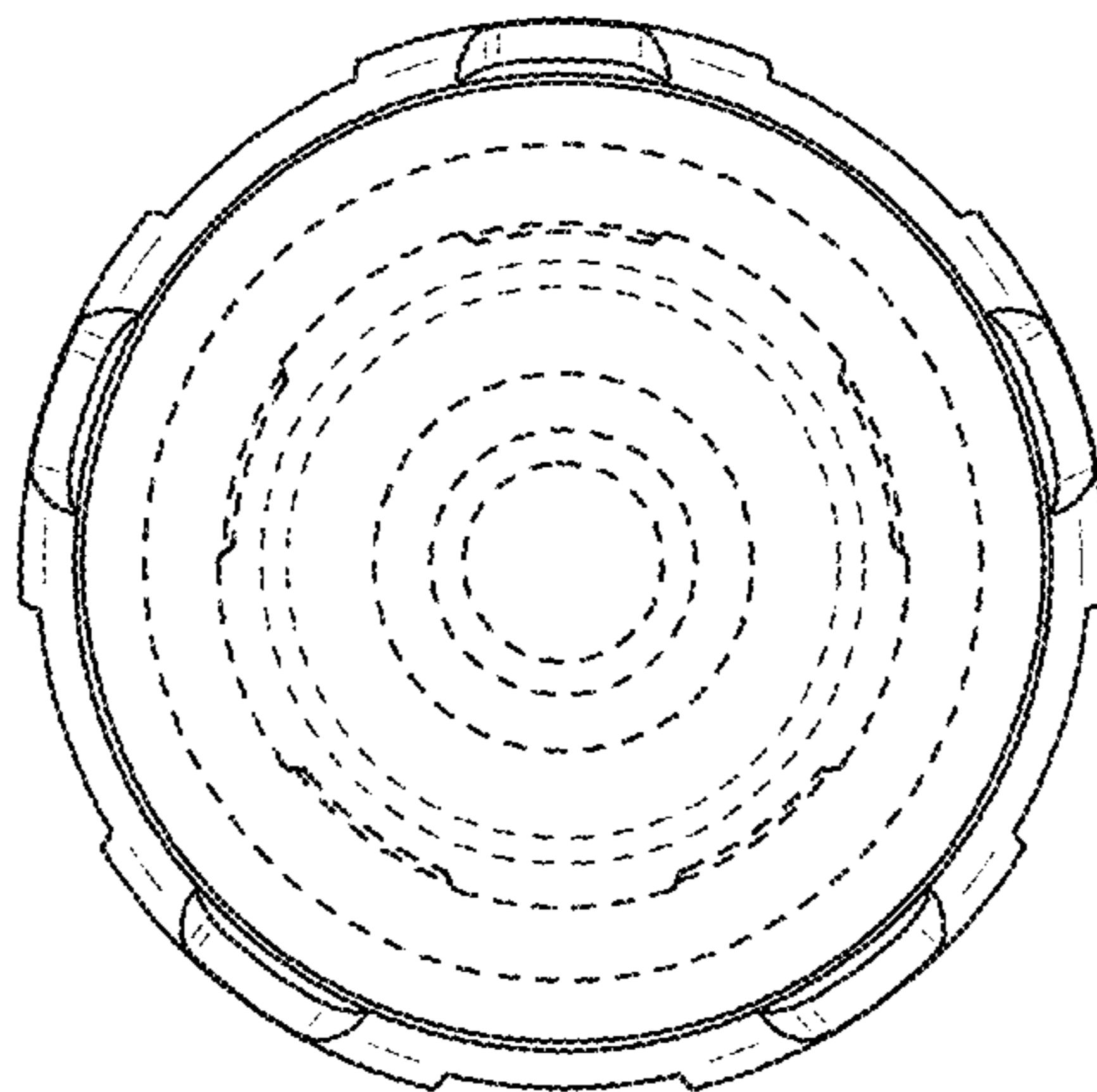


FIG. 7

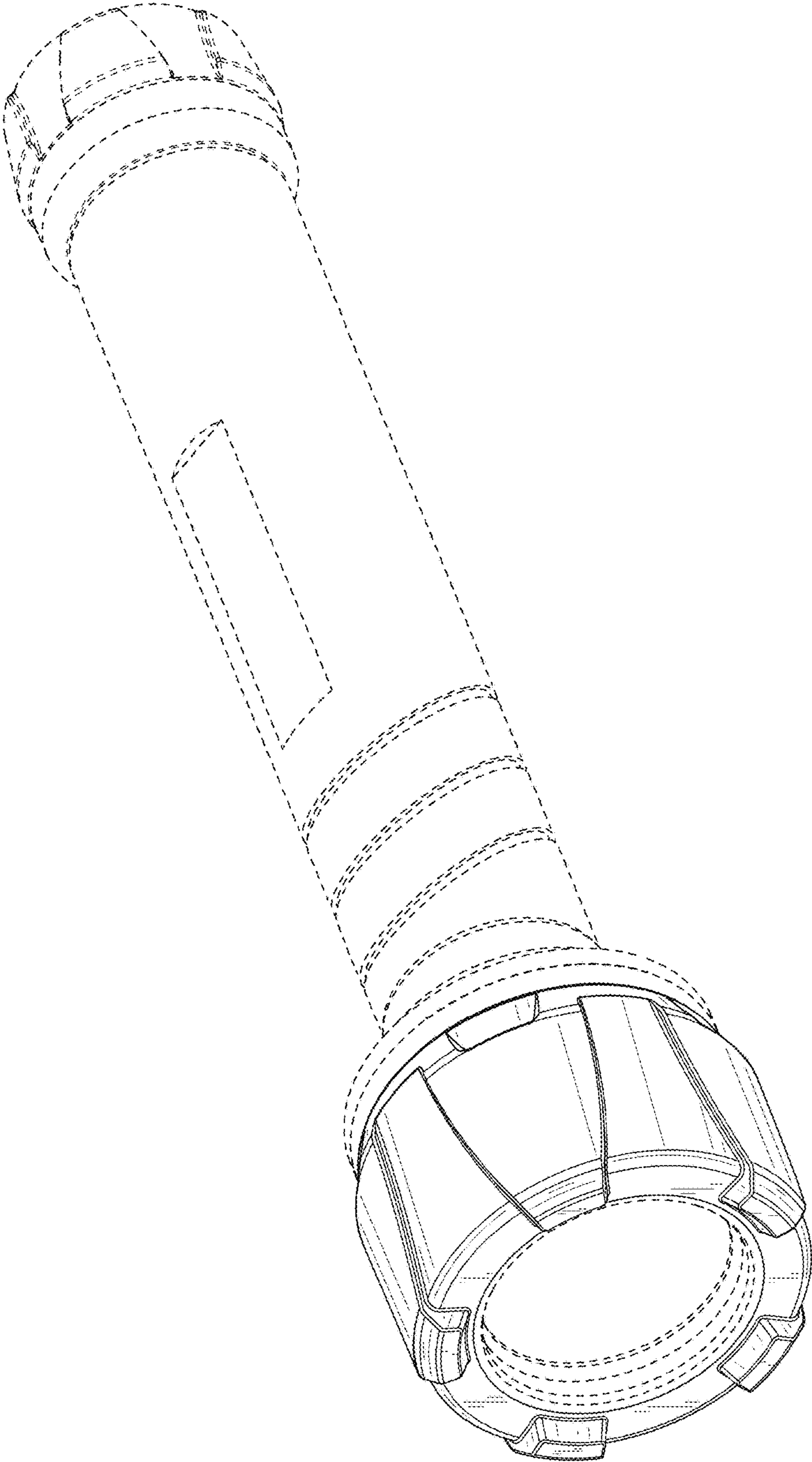


FIG. 8

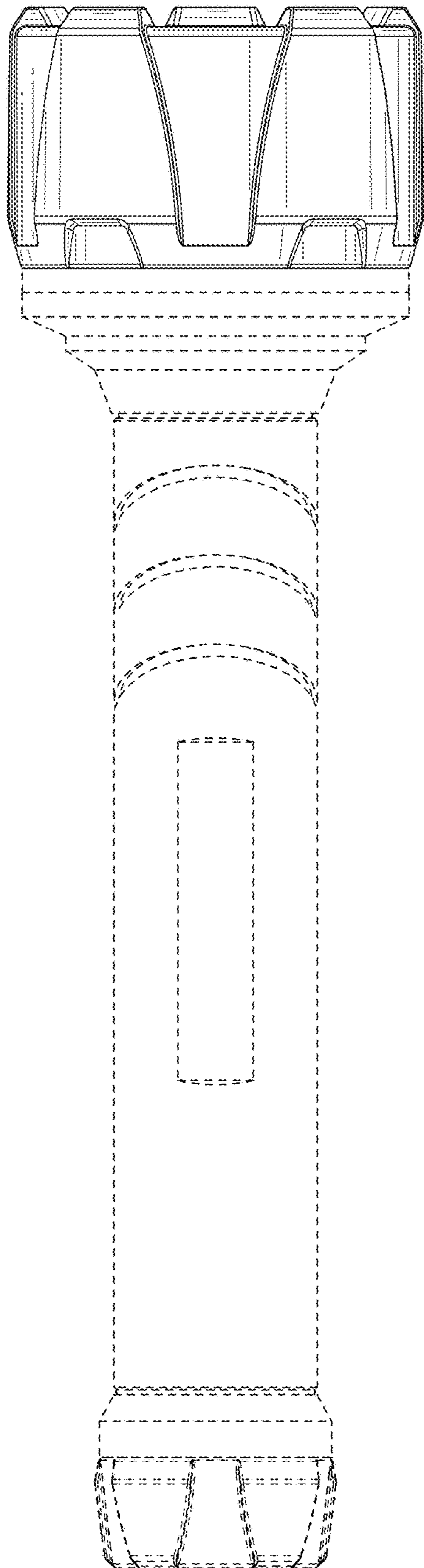


FIG. 9

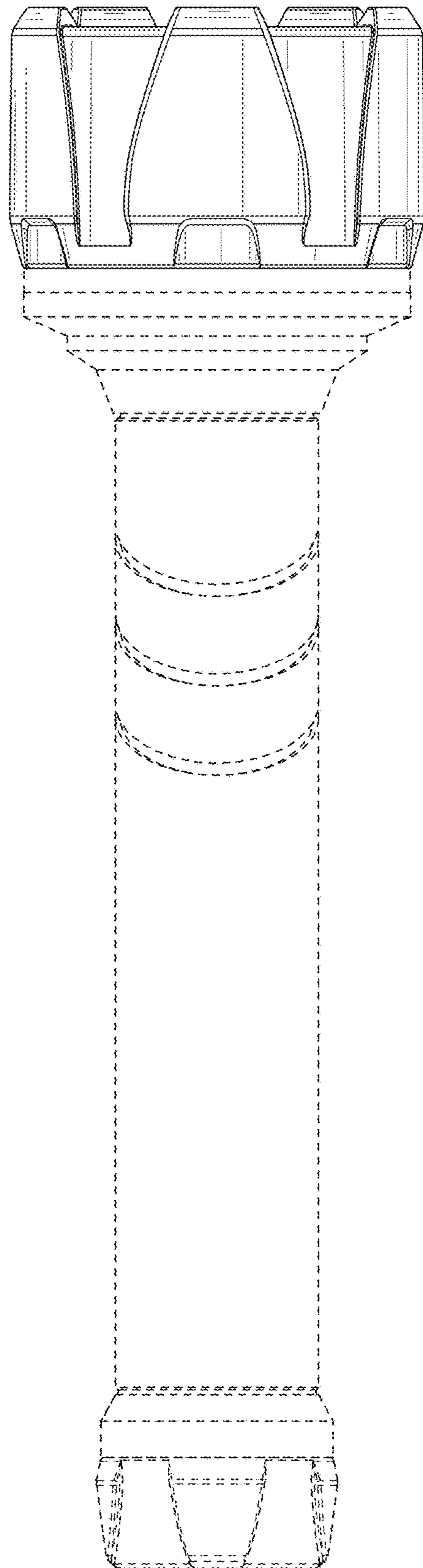


FIG. 10



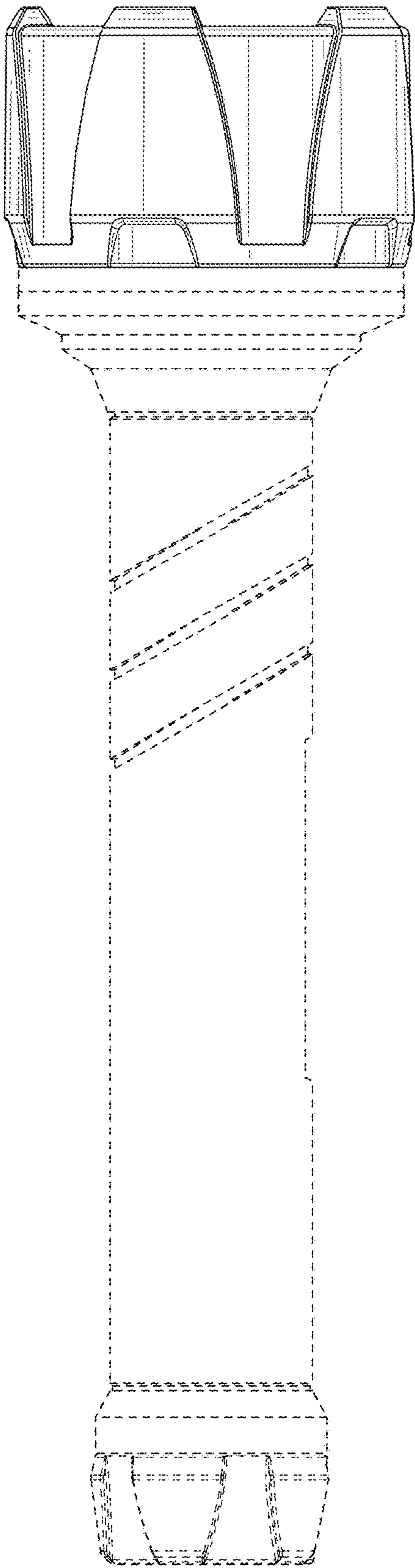


FIG. 11

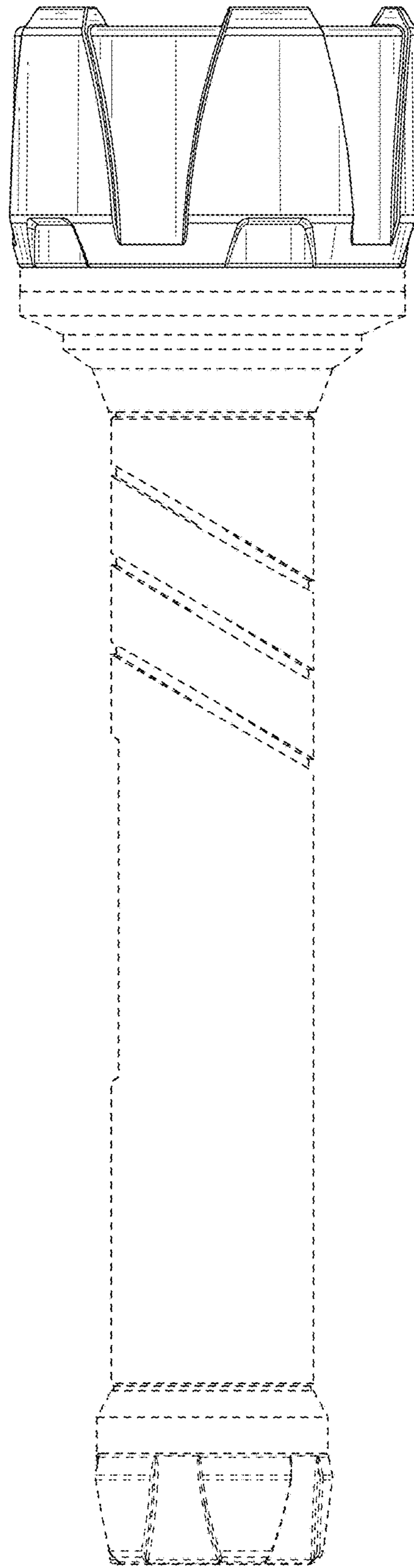


FIG. 12

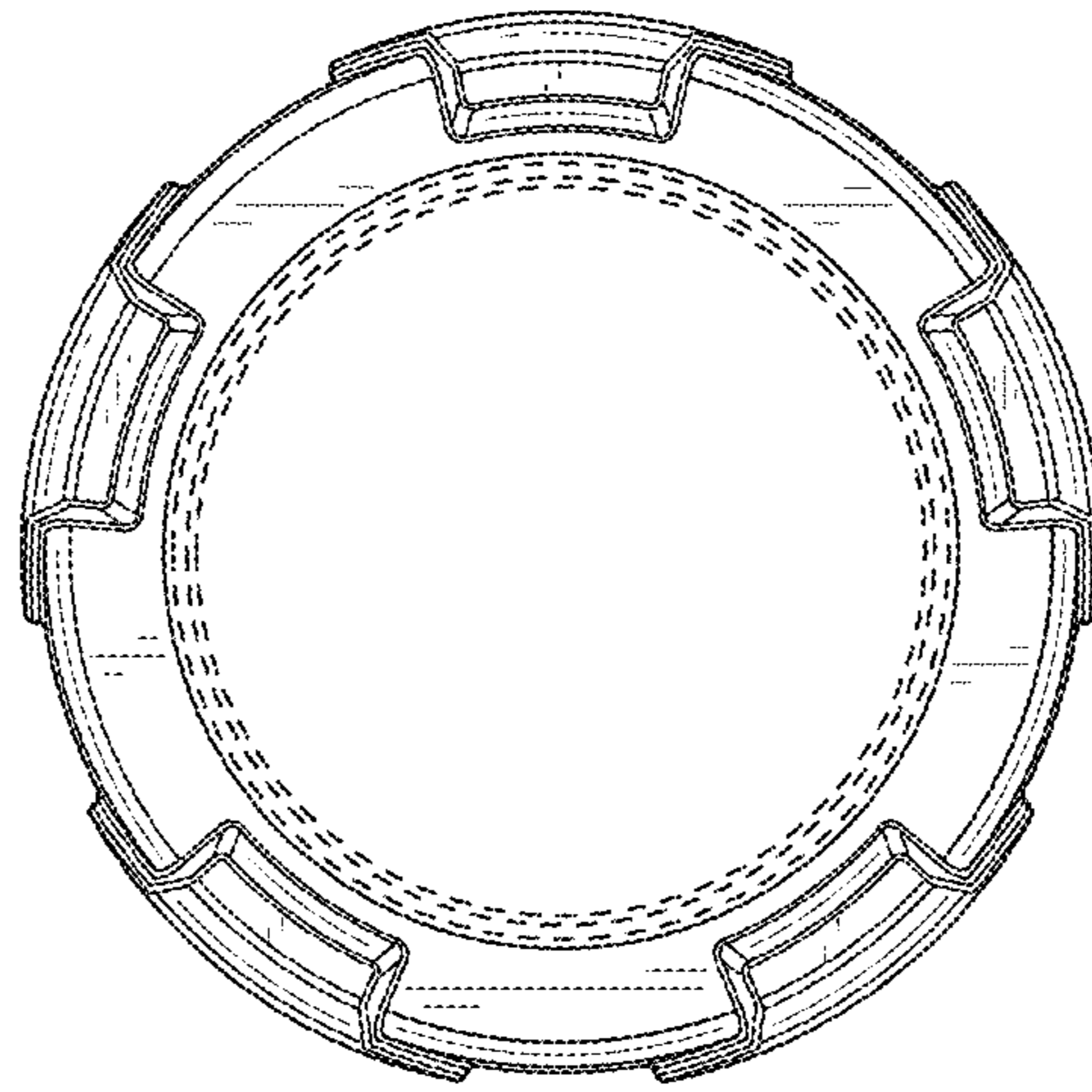


FIG. 13

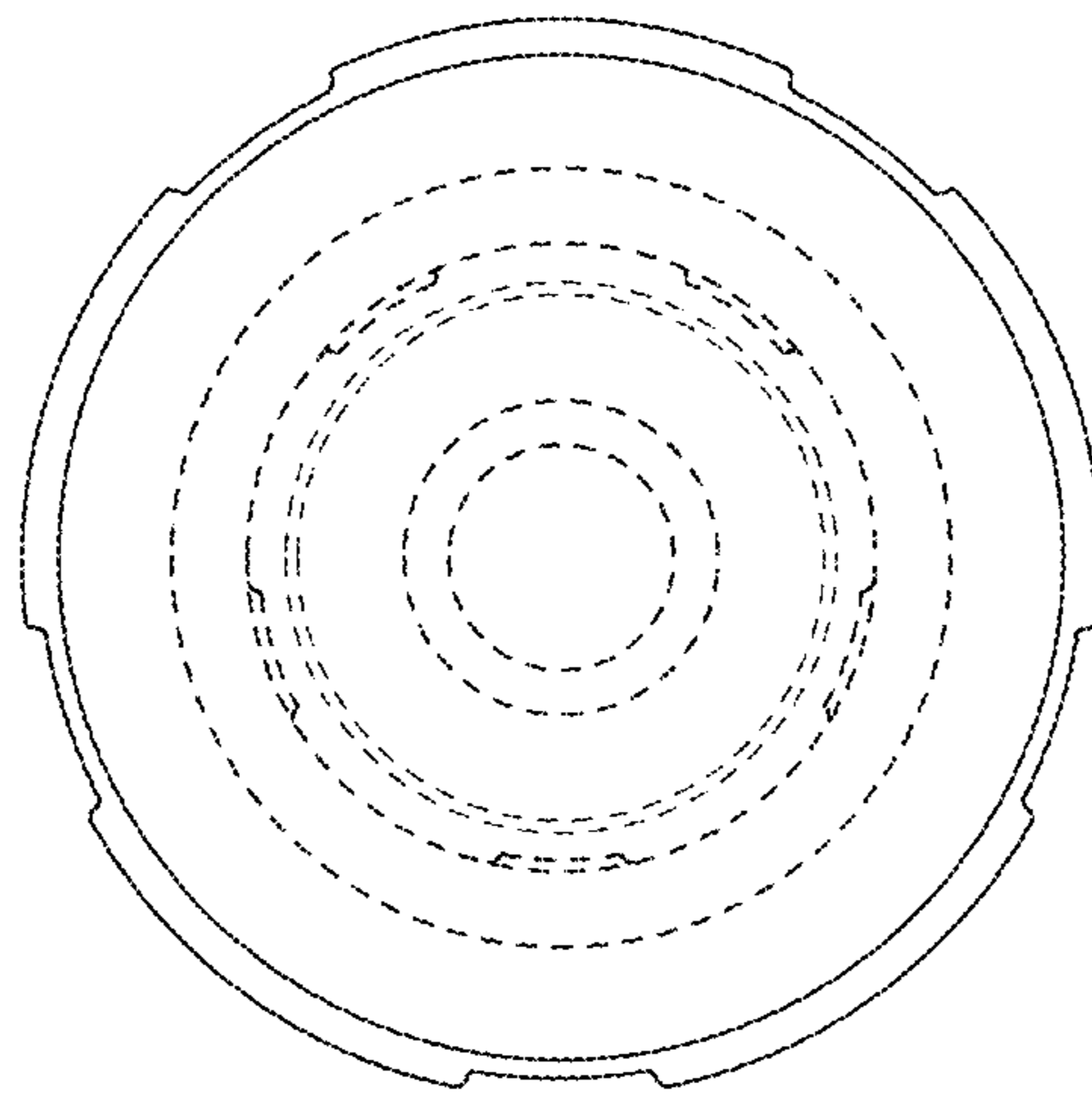


FIG. 14

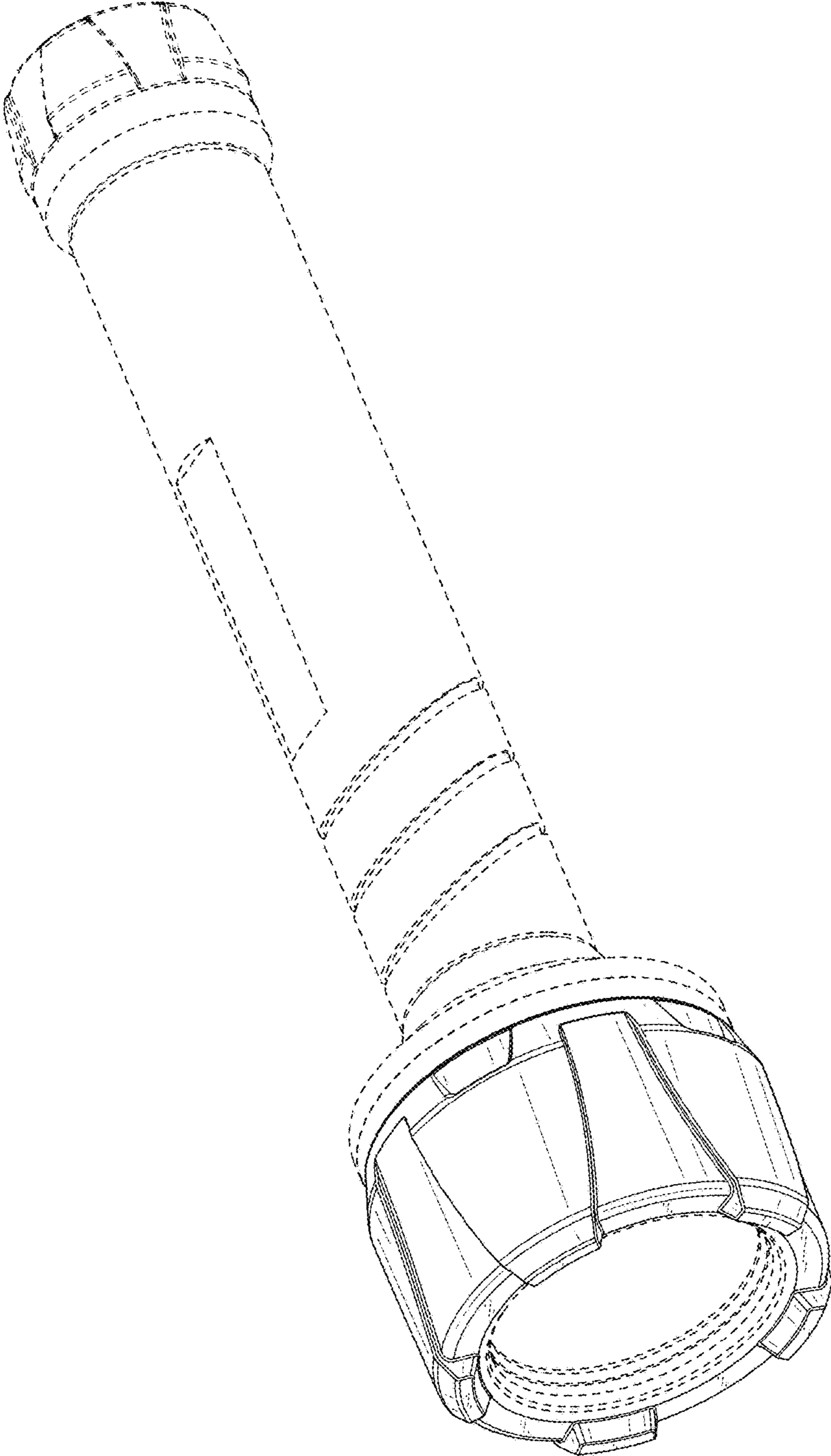


FIG. 15

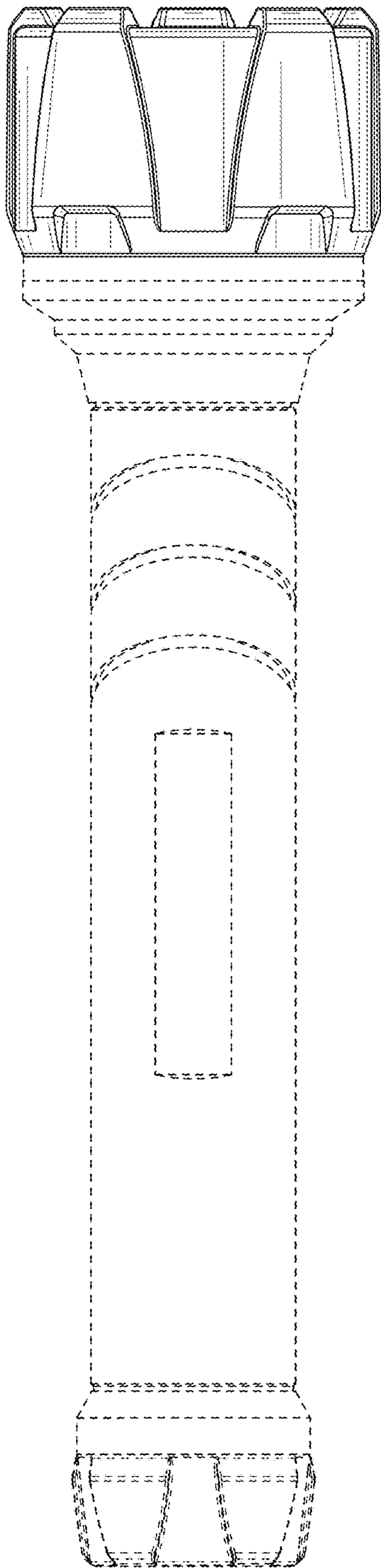


FIG. 16

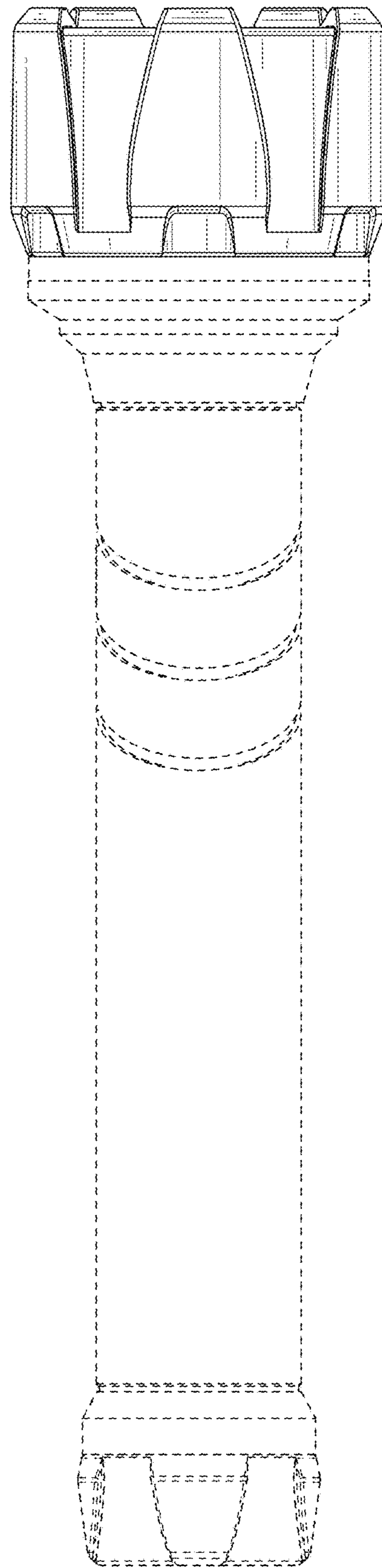


FIG. 17

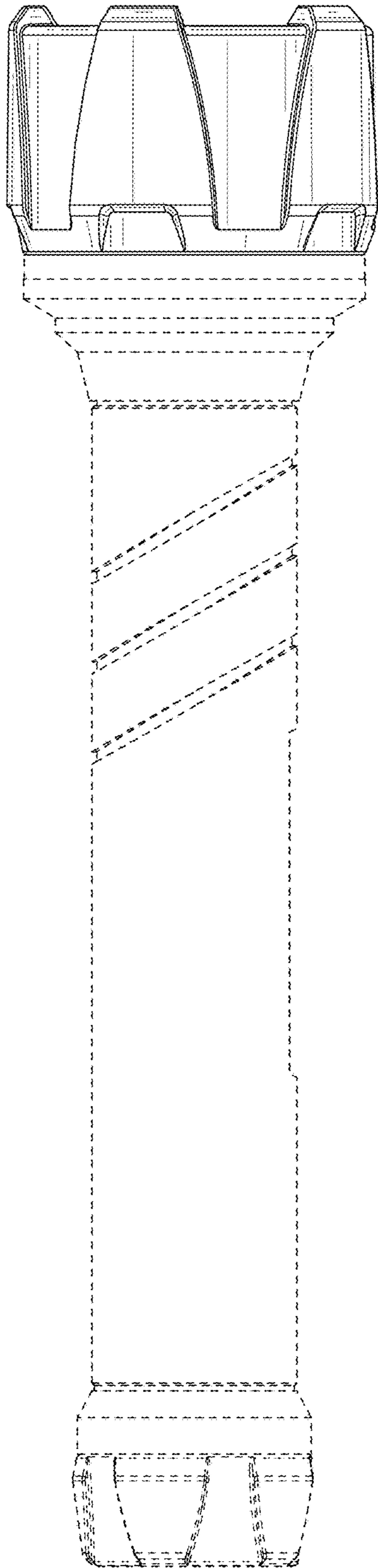


FIG. 18

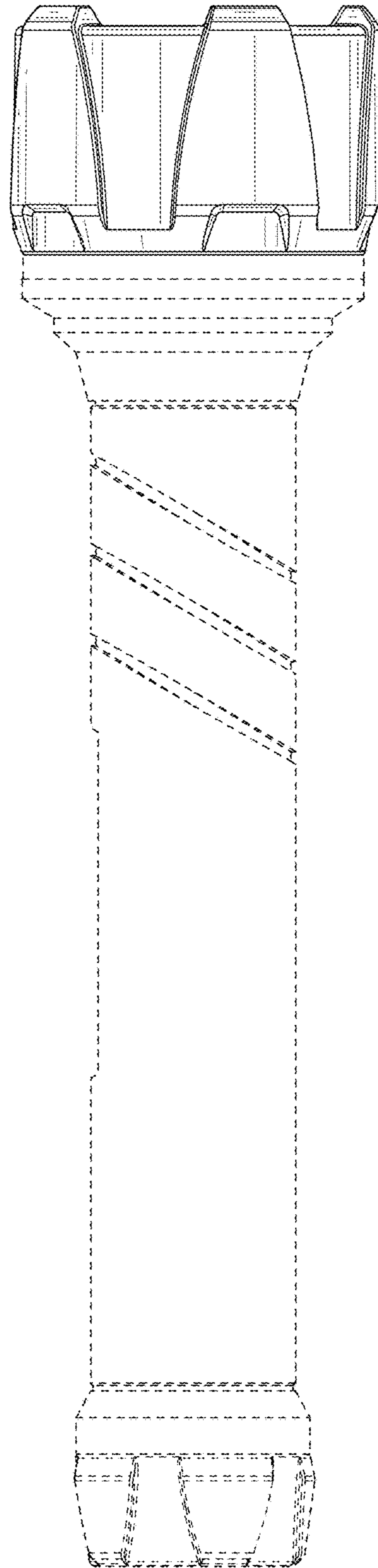


FIG. 19

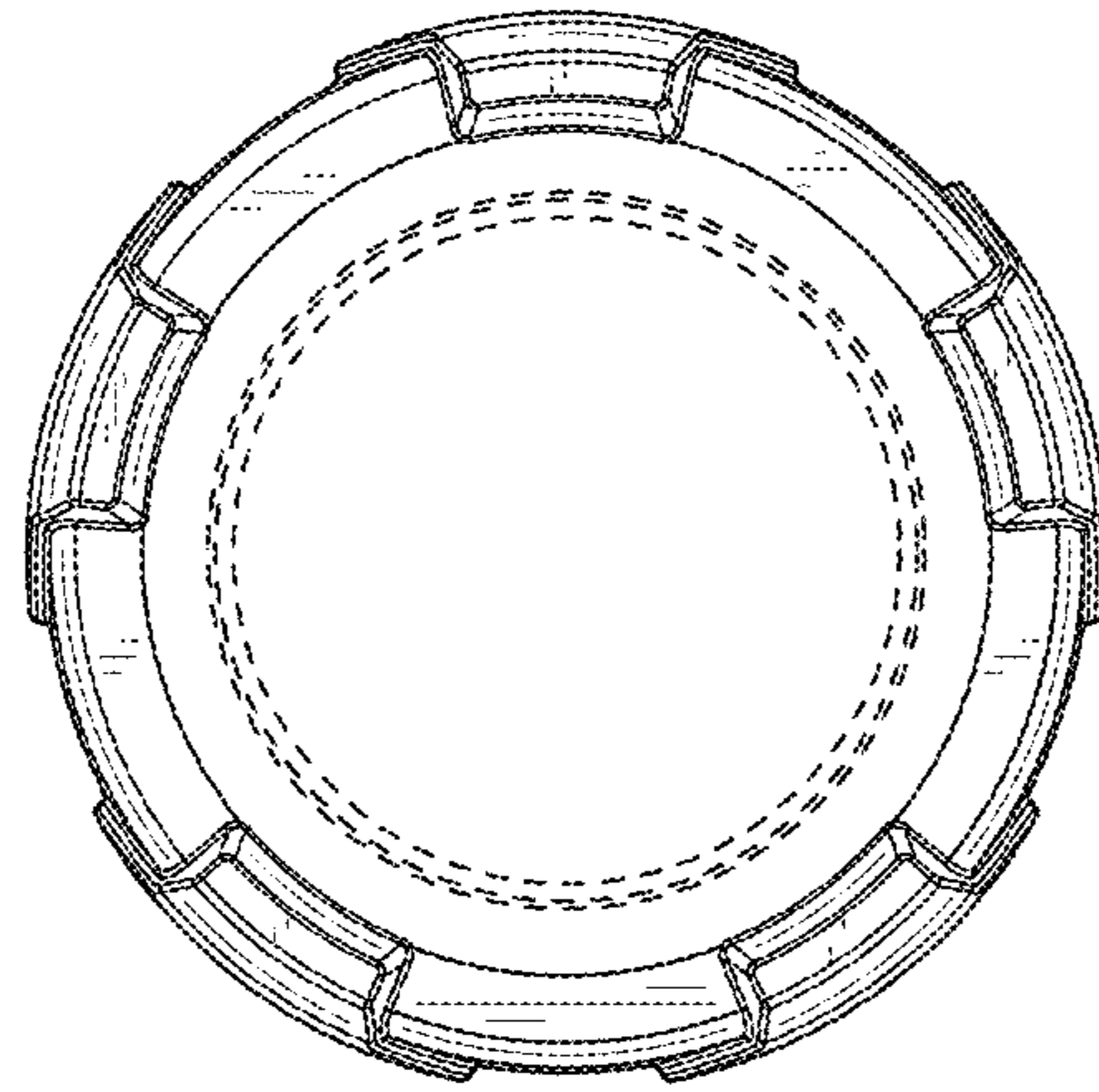


FIG. 20

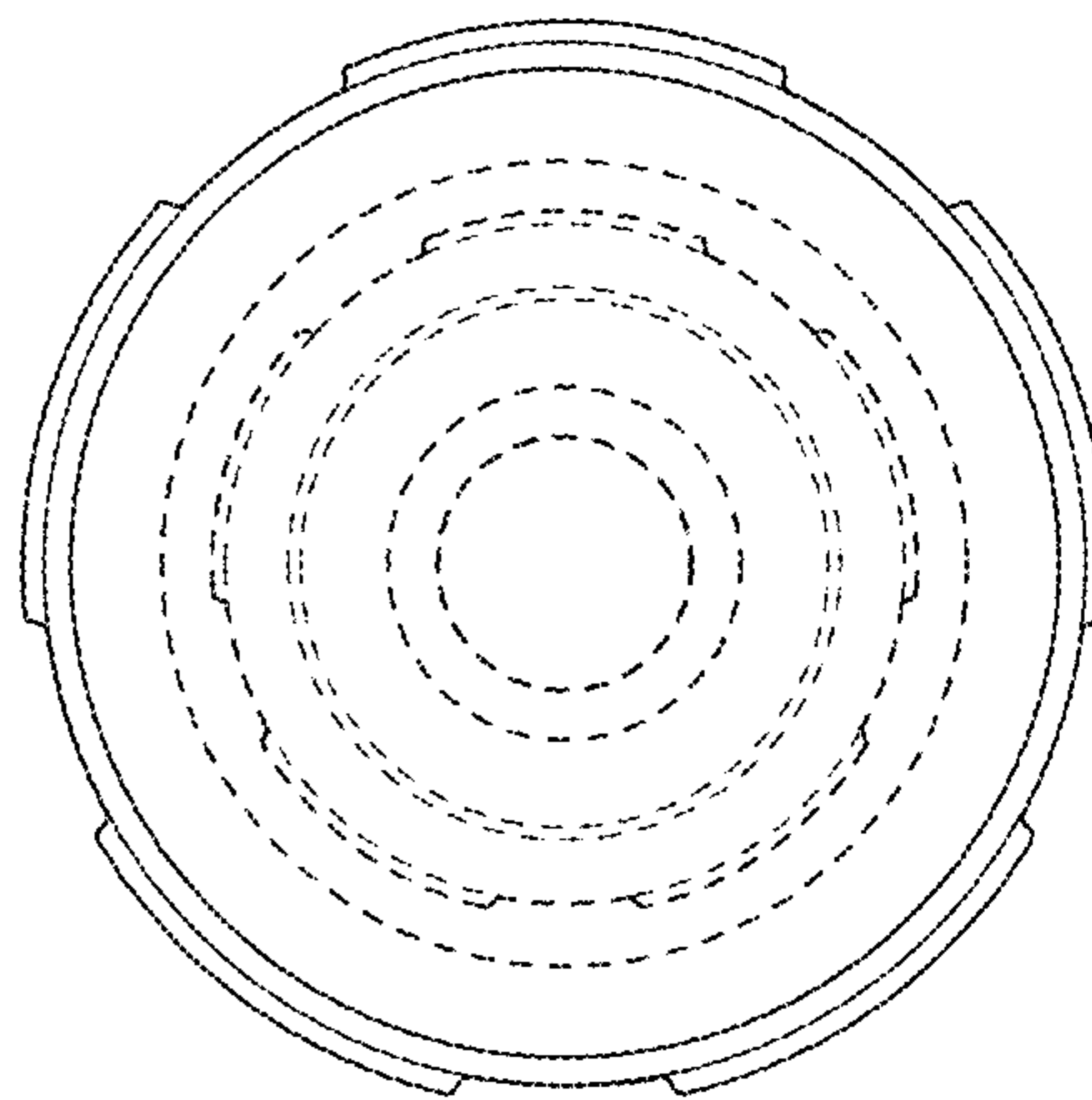


FIG. 21

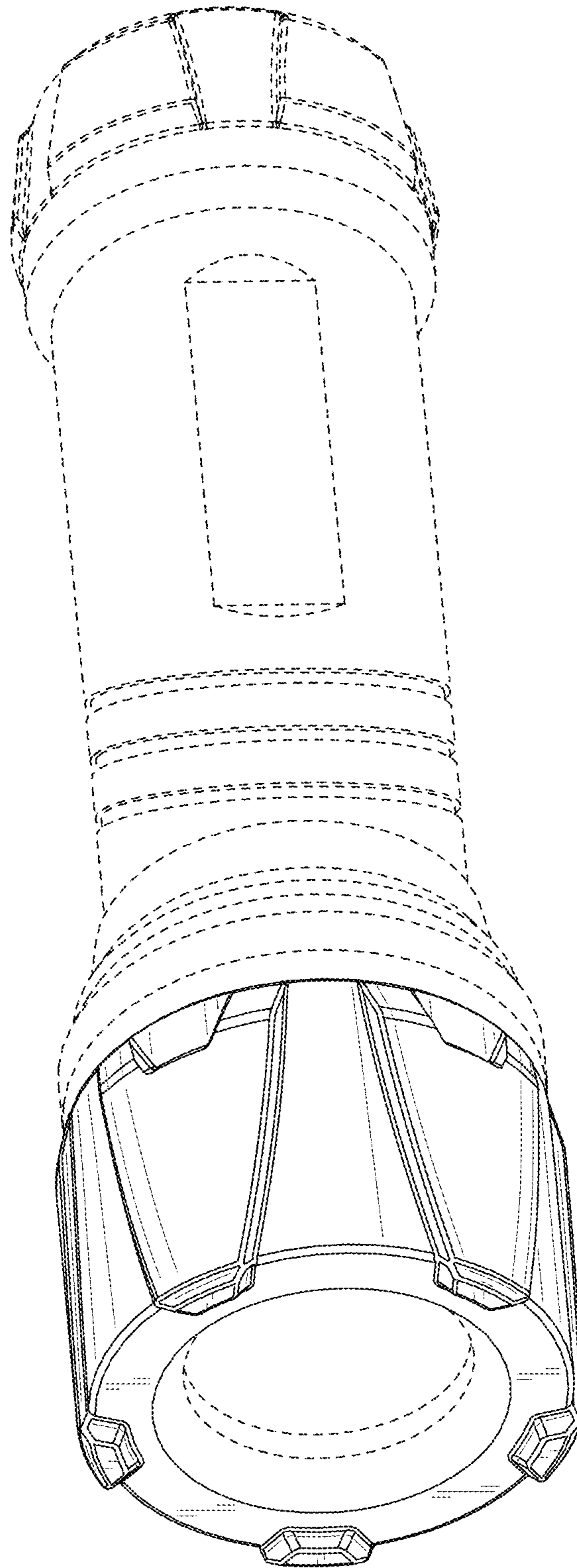


FIG. 22

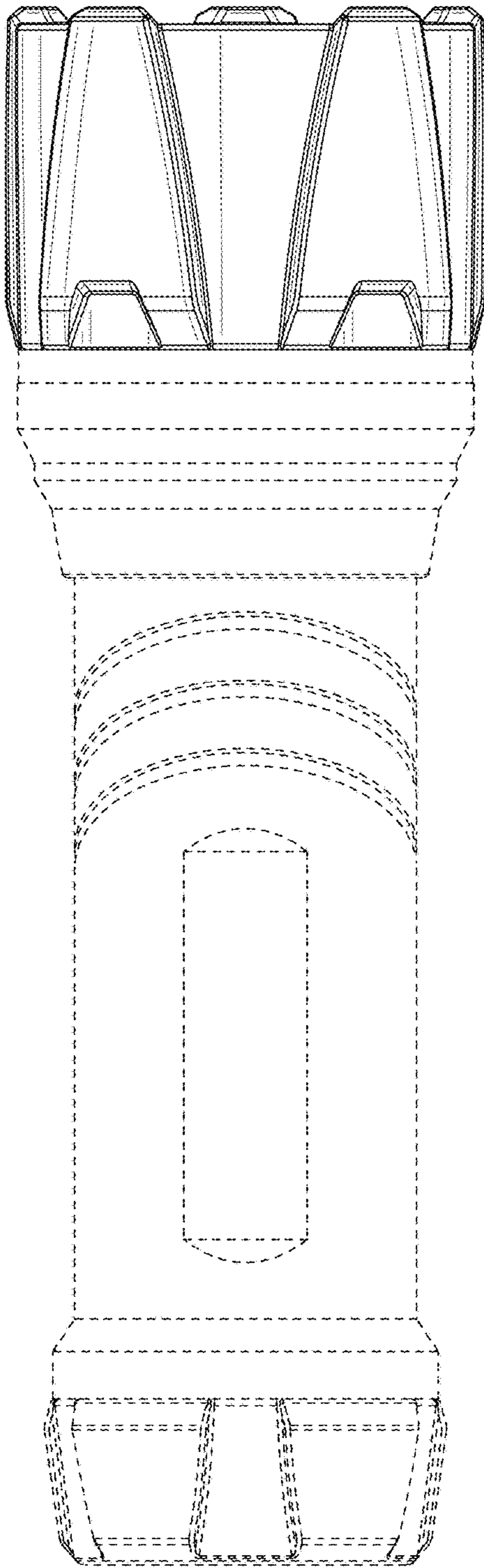


FIG. 23

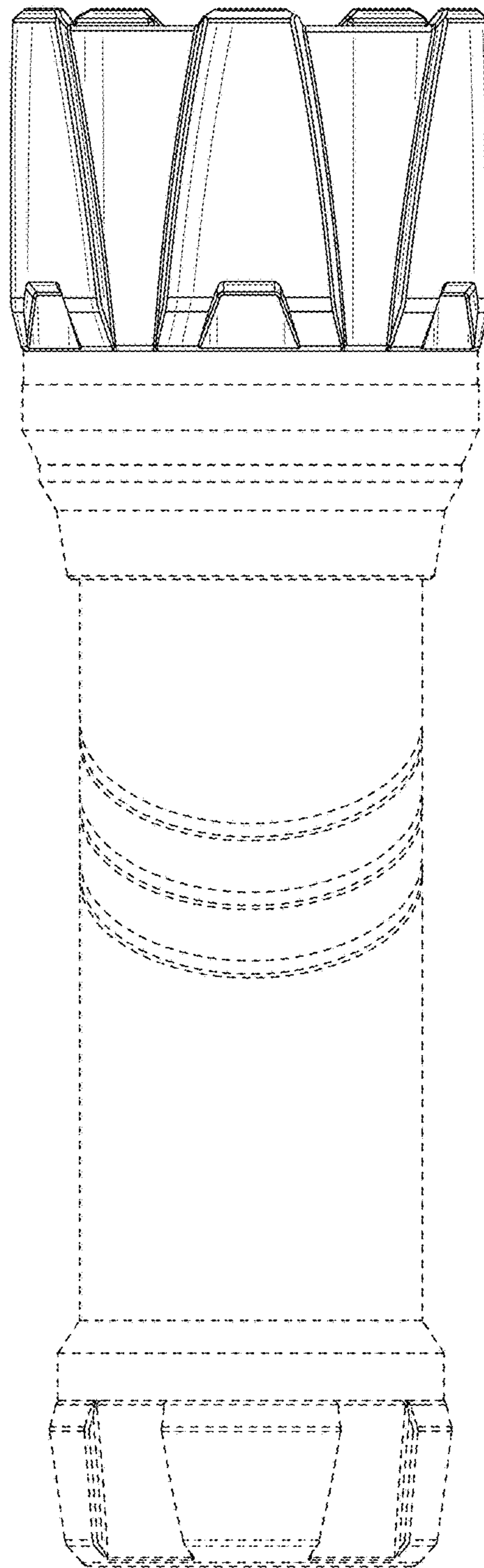


FIG. 24



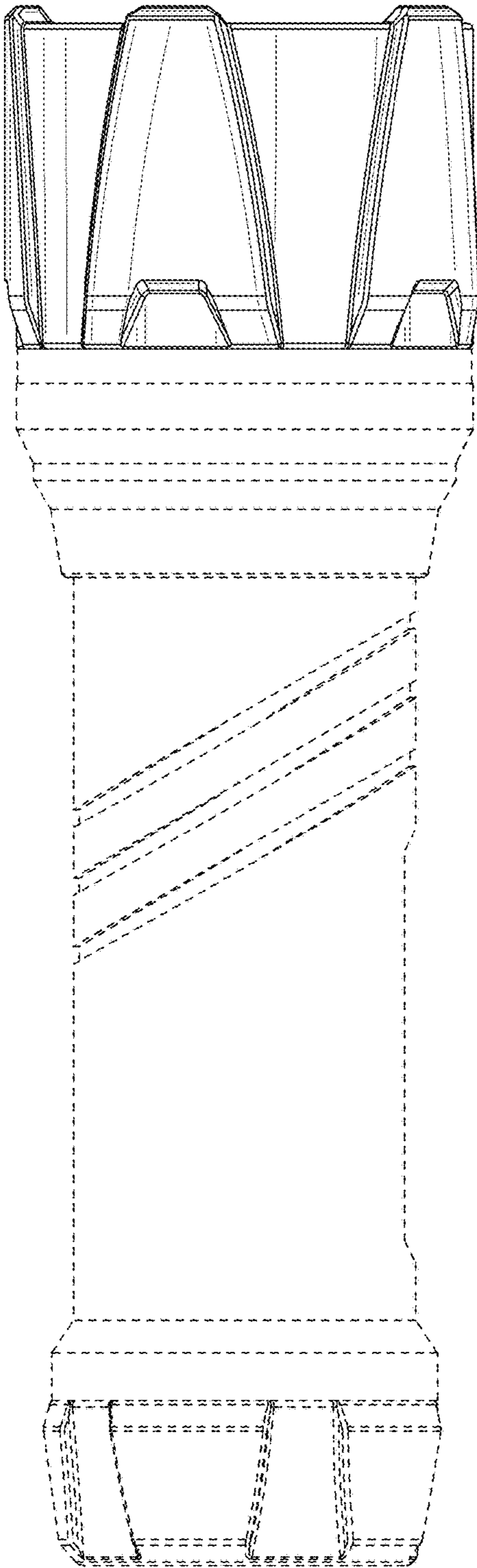


FIG. 25

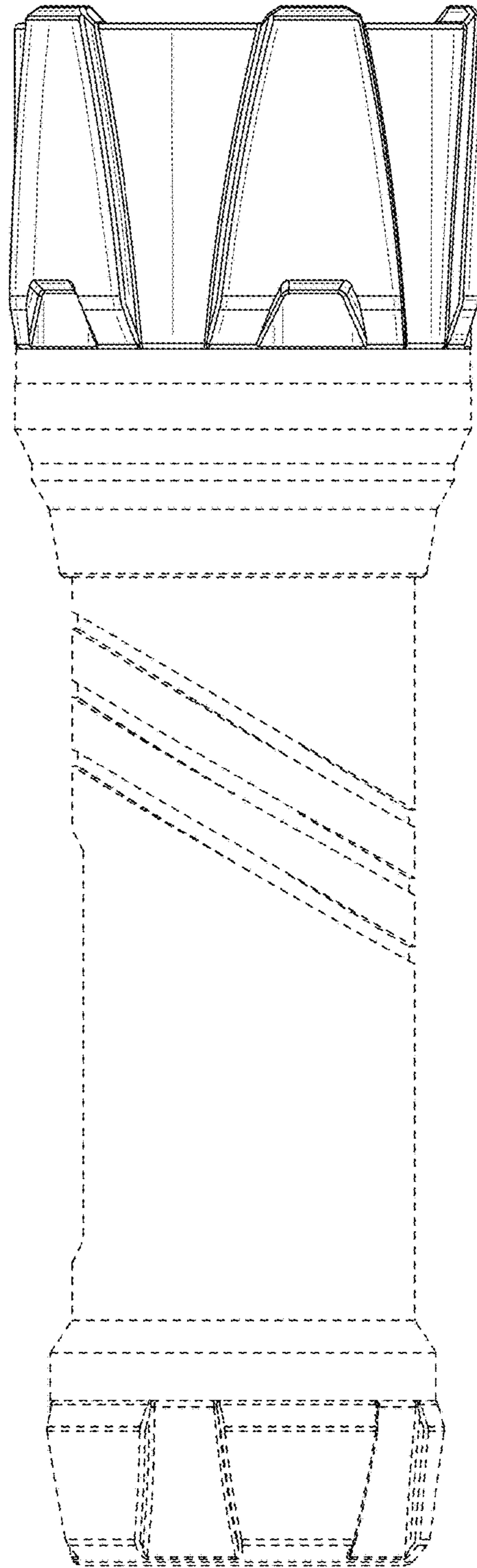


FIG. 26

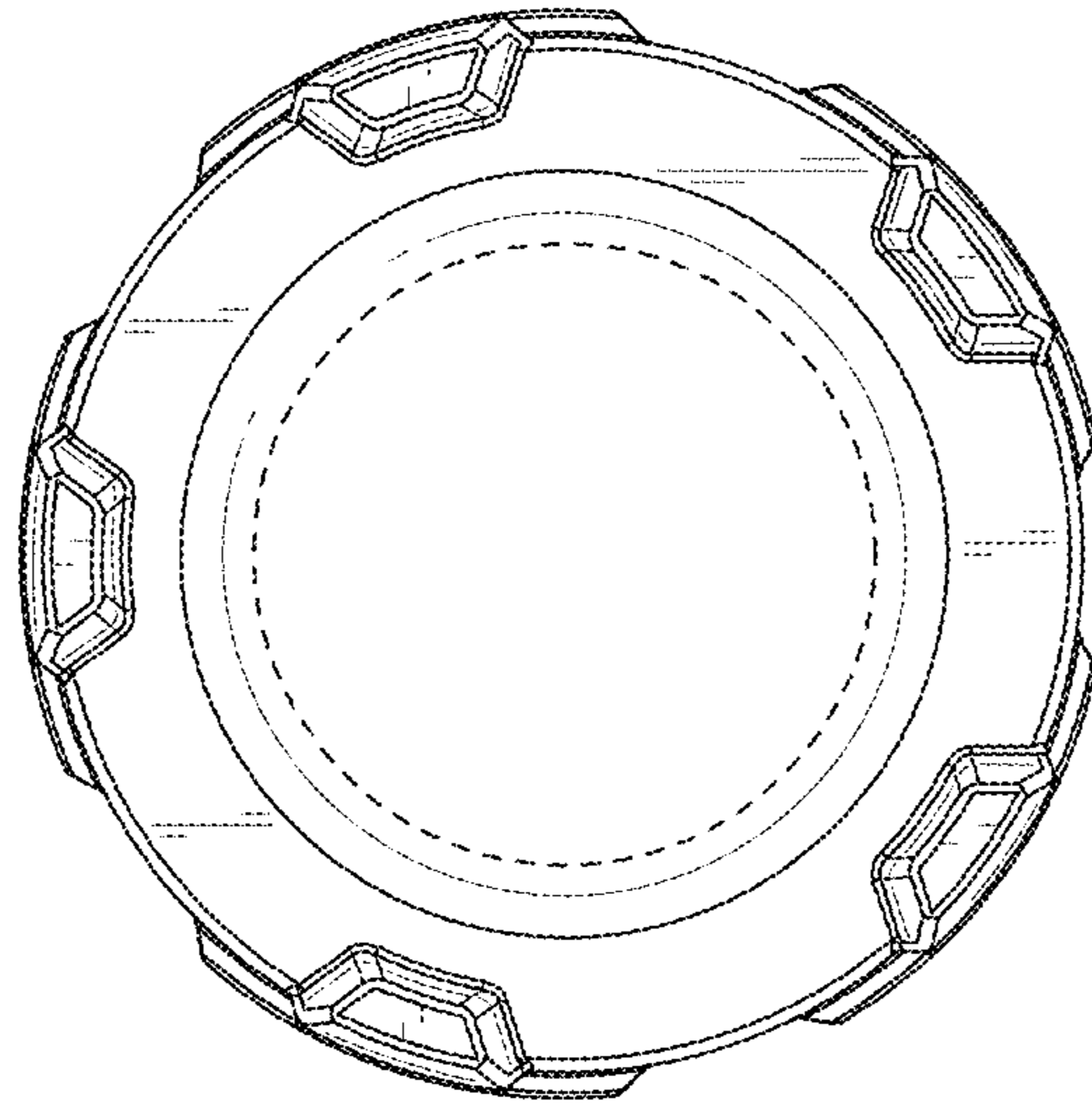


FIG. 27

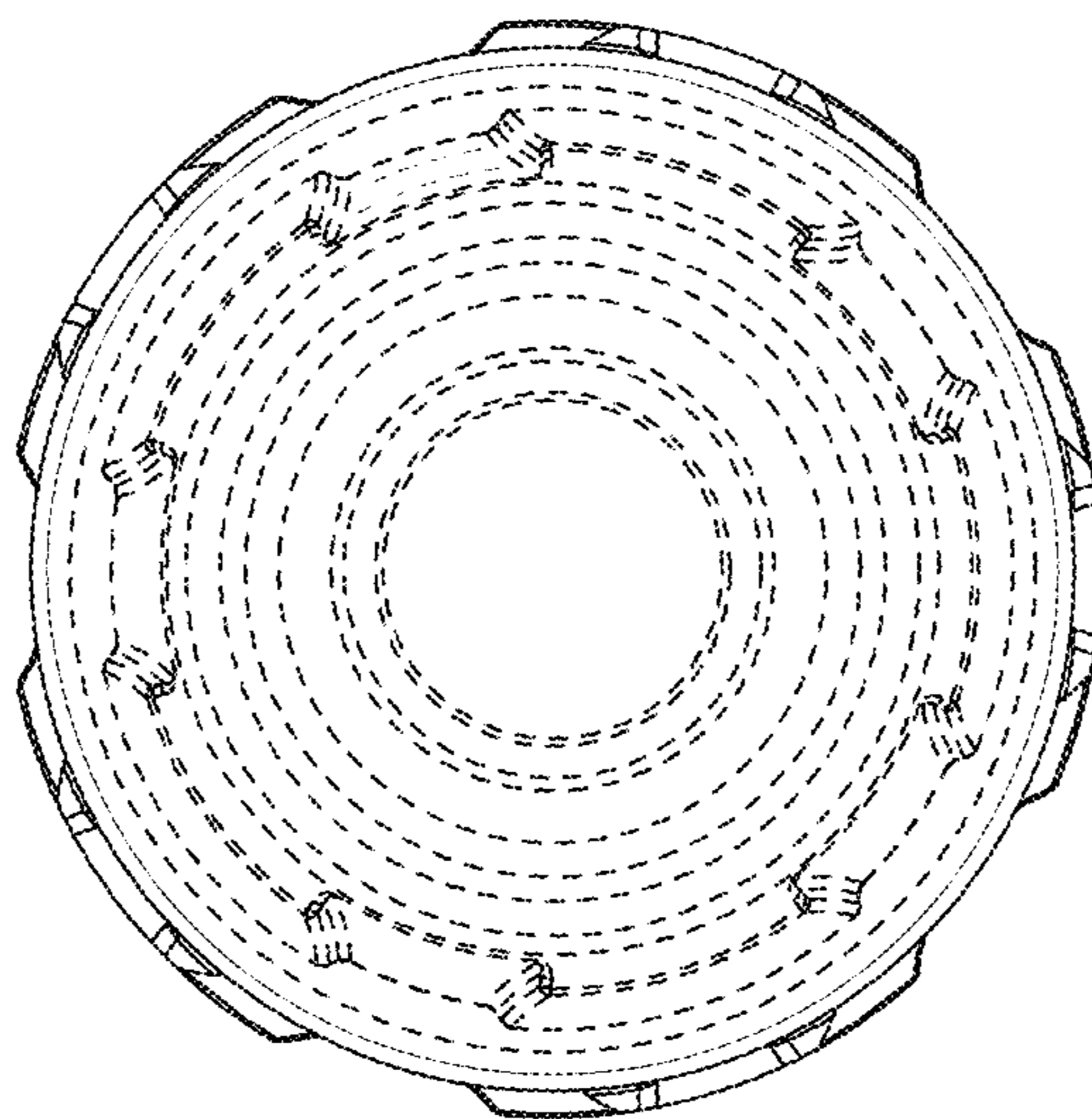


FIG. 28

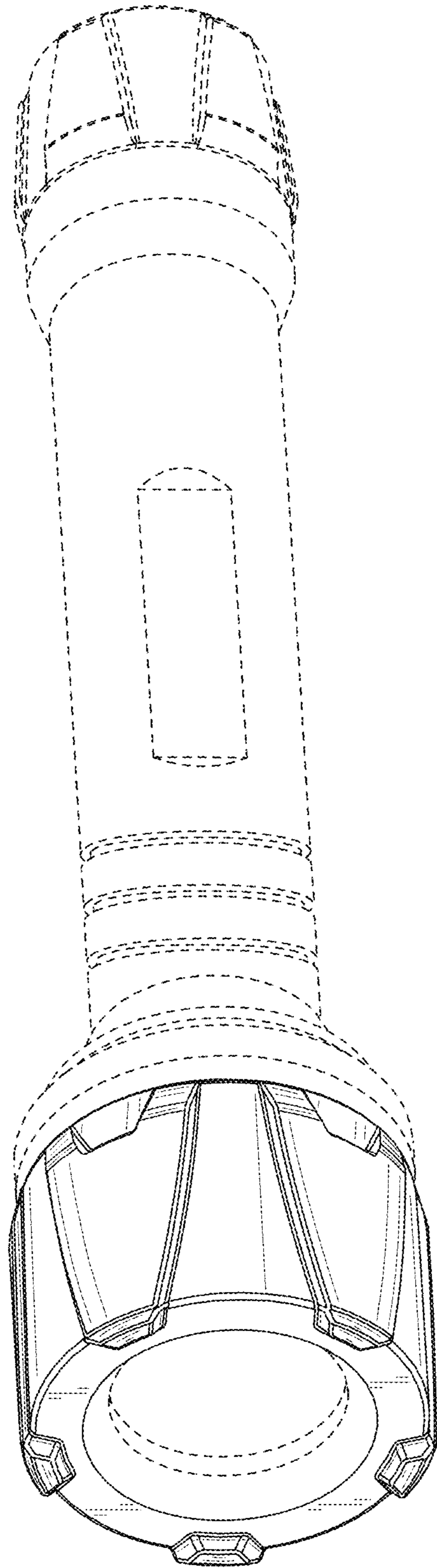


FIG. 29

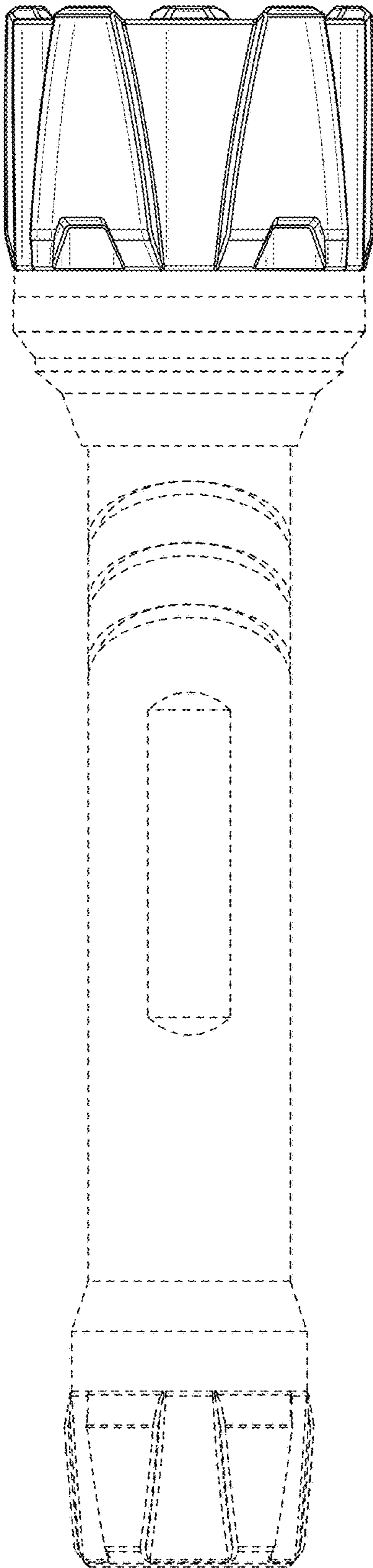


FIG. 30

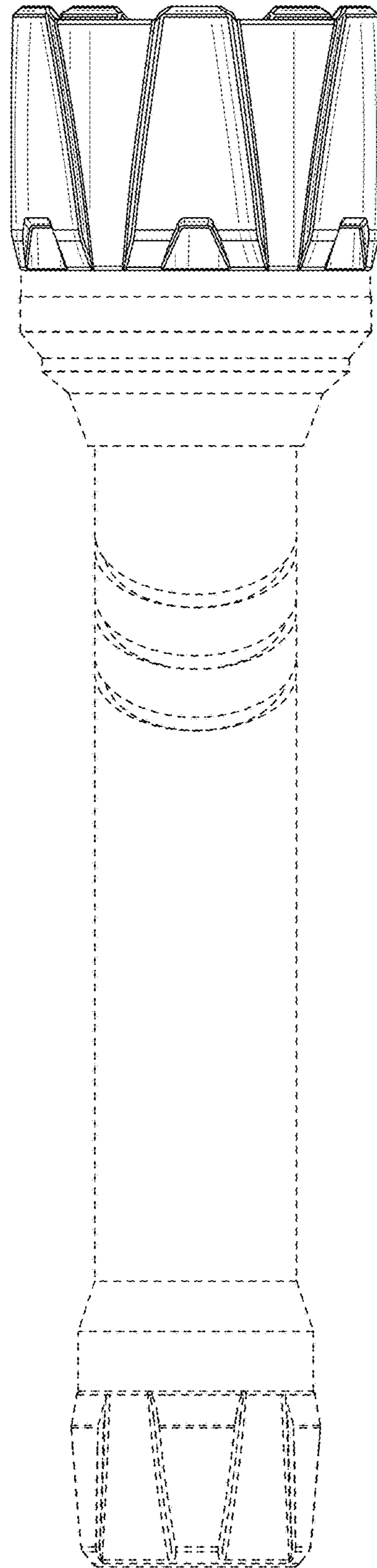


FIG. 31

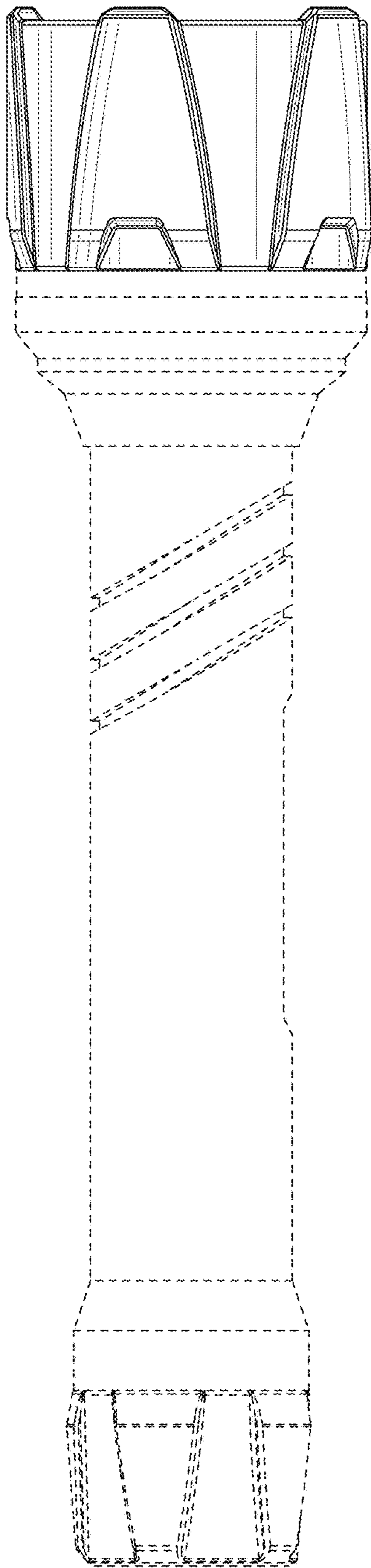


FIG. 32

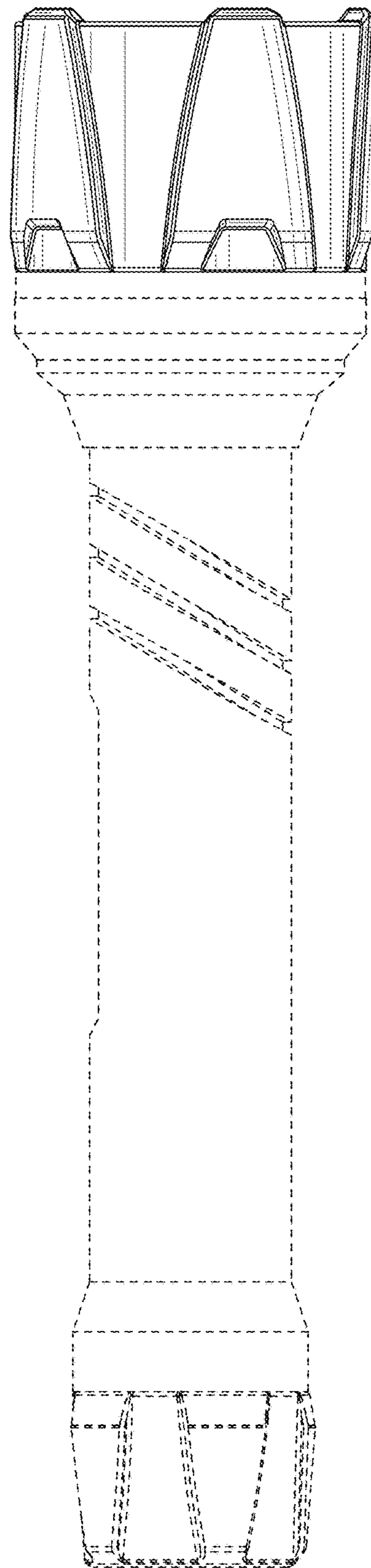


FIG. 33

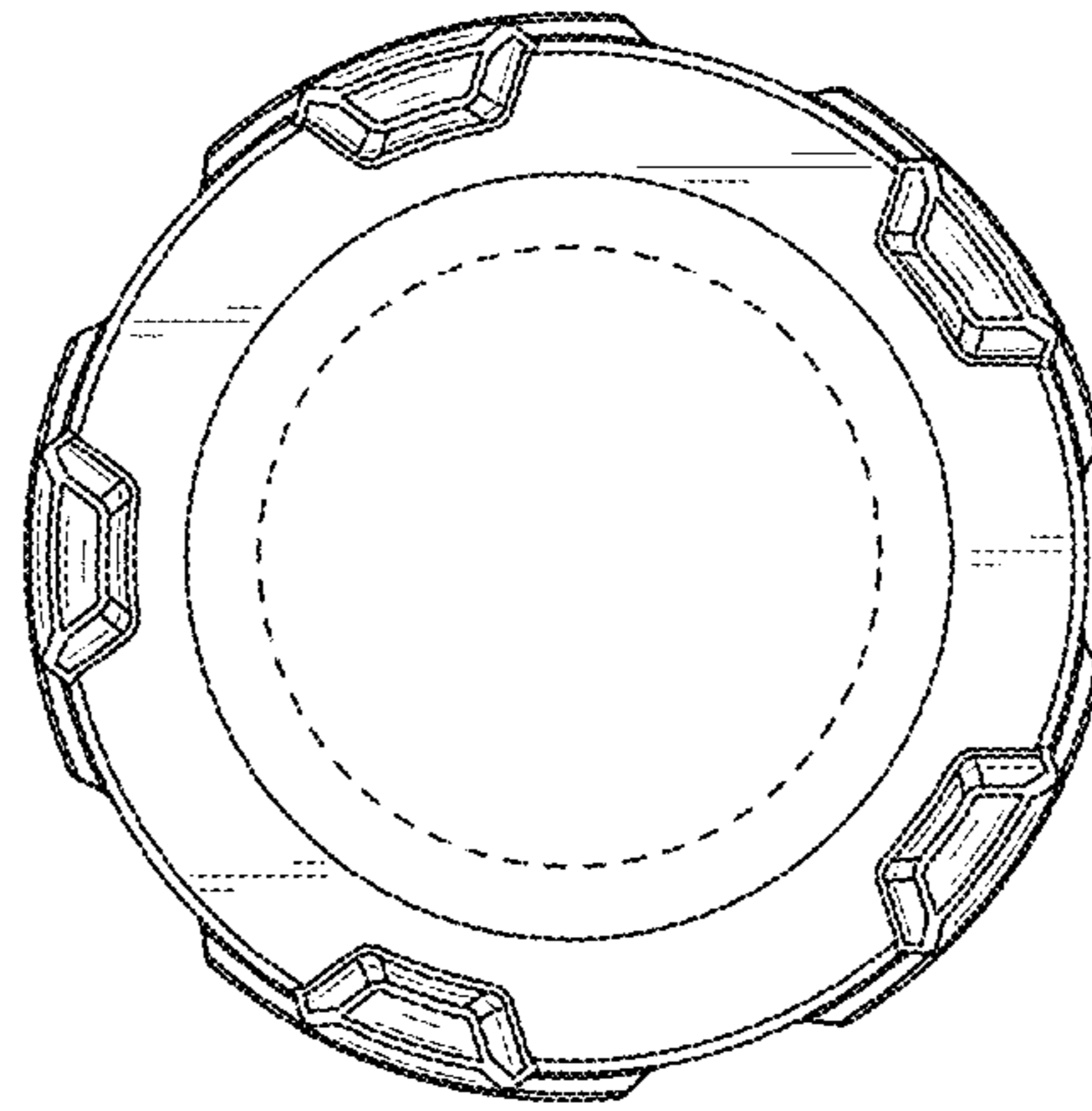


FIG. 34

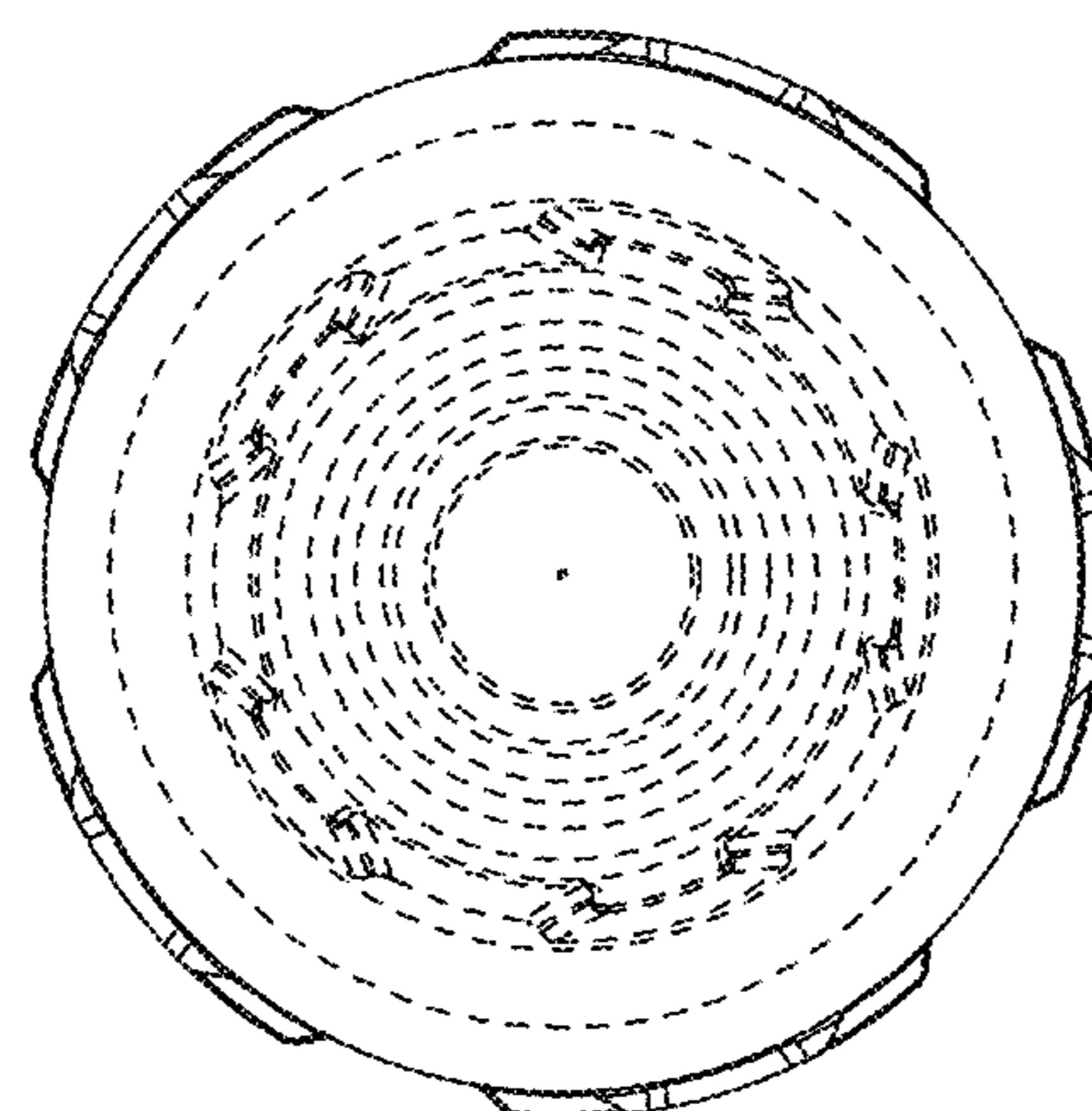


FIG. 35